



3422

LINEAR INTEGRATED CIRCUIT

HIGH PERFORMANCE DUAL BIPOLAR OPERATIONAL AMPLIFIER

DESCRIPTION

The UTC 3422 is a dual high performances operational amplifier featuring speed of 25MHz and single supply operation from 3V ~ 36V.

The UTC 3422 is therefore an enhanced replacement of standard dual operational amplifiers.

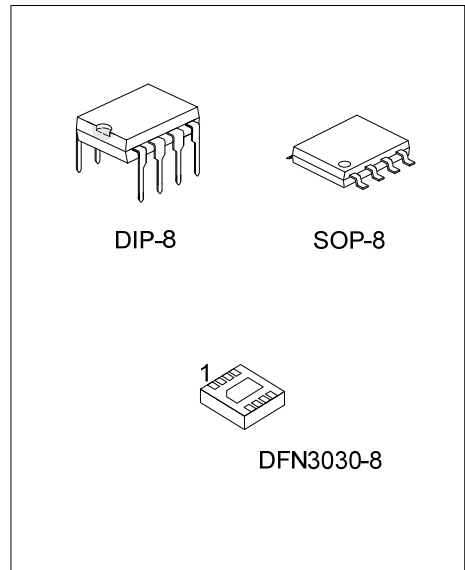
FEATURES

- * Single Supply Operation: 3V ~ 36V
- * Dual Supply Operation: ±1.5V ~ ±18V
- * High Gain Bandwidth Product: 25MHz
- * High Slew Rate: 15V/μs
- * Low Voltage Noise: 14nV/√Hz
- * No Phase Inversion
- * ESD Tolerance: 2KV
- * Latch-Up Immunity

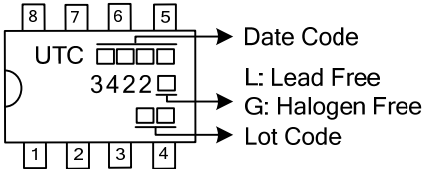
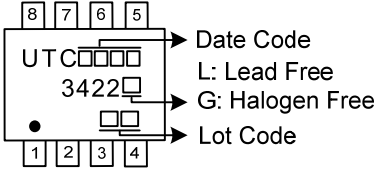
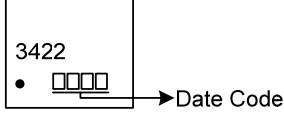
ORDERING INFORMATION

Ordering Number		Package	Packing
Lead Free	Halogen Free		
3422L-D08-T	3422G-D08-T	DIP-8	Tube
3422L-S08-R	3422G-S08-R	SOP-8	Tape Reel
3422L-K08-3030-R	3422G-K08-3030-R	DFN3030-8	Tape Reel

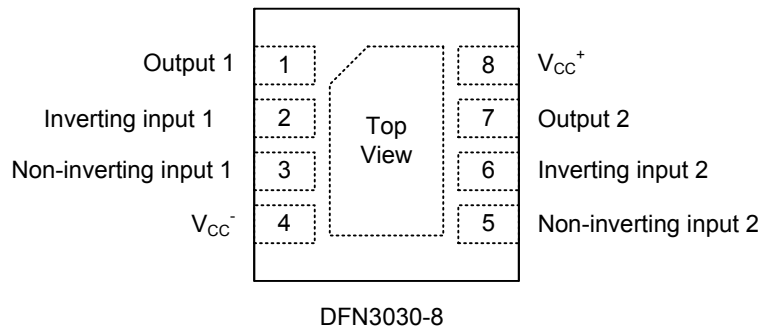
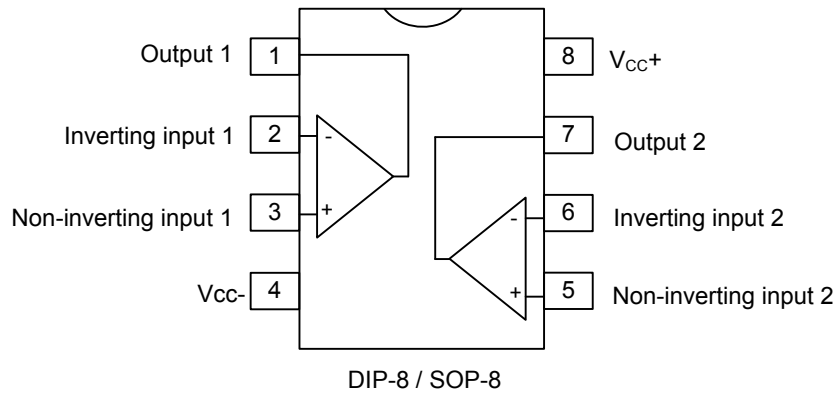
<p>3422G-D08-T</p> <p>(1)Packing Type</p> <p>(2)Package Type</p> <p>(3)Green Package</p>	<p>(1) R: Tape Reel, T: Tube</p> <p>(2) D08: DIP-8, S08: SOP-8, K08-3030: DFN3030-8</p> <p>(3) G: Halogen Free and Lead Free, L: Lead Free</p>
--	--



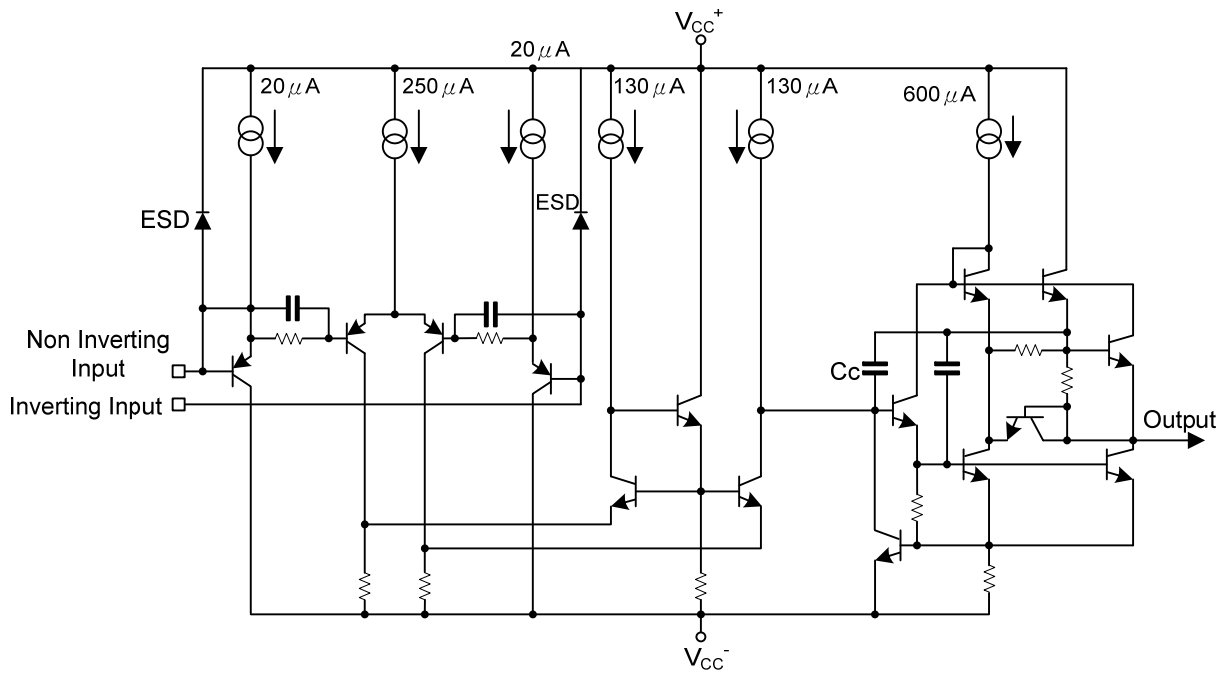
MARKING

PACKAGE	MARKING
DIP-8	 <p> 8 7 6 5 → Date Code UTC □□□□ → L: Lead Free 3422 □ → G: Halogen Free □□ → Lot Code 1 2 3 4 </p>
SOP-8	 <p> 8 7 6 5 → Date Code UTC □□□□ → L: Lead Free 3422 □ → G: Halogen Free □□ → Lot Code 1 2 3 4 </p>
DFN3030-8	 <p> 3422 • □□□ → Date Code </p>

■ PIN CONFIGURATION



■ BLOCK DIAGRAM (1/2 Shown)



■ ABSOLUTE MAXIMUM RATINGS

PARAMETER	SYMBOL	RATINGS	UNIT
Supply Voltage	V_{CC}	$\pm 18 \sim 36$	V
Differential Input Voltage (Note 1)	V_{ID}	± 36	V
Input Voltage (Note 1)	V_{IN}	± 18	V
Output Short-Circuit Duration (Note 2)		Infinite	
Maximum Power Dissipation (Note 2)	DIP-8/SOP-8	500	mW
	DFN3030-8	890	mW
Junction Temperature	T_J	+150	°C
Operating Temperature	T_{OPR}	-40 ~ +125	°C
Storage Temperature	T_{STG}	-65 ~ +150	°C

Notes: 1. Either or both input voltages must not exceed the magnitude of V_{CC}^+ or V_{CC}^-

2. Power dissipation must be considered to ensure maximum junction temperature (T_J) is not exceeded

■ OPERATING CONDITIONS

PARAMETER	SYMBOL	RATINGS	UNIT
Supply Voltage	V_{CC}	3 ~ 36	V

■ ELECTRICAL CHARACTERISTICS ($V_{CC^+}=15V$, $V_{CC^-}=-15V$, $T_A=25^\circ C$, unless otherwise specified)

PARAMETER	SYMBOL	TEST CONDITIONS		MIN	TYP	MAX	UNIT	
Input Offset Voltage	V_{IO}	$V_{IC}=0V$, $V_O=0V$	$V_{CC^+}=+15V$, $V_{CC^-}=-15V$			2.5	mV	
			$T_{MIN} \leq T_A \leq T_{MAX}$			3.5		
			$V_{CC^+}=+5V$, $V_{CC^-}=0V$			2.5		
Input Offset Voltage Drift	ΔV_{IO}	$V_{IC}=0V$, $V_O=0V$			2		$\mu V/^\circ C$	
Input Offset Current	I_{IO}	$V_{IC}=0V$, $V_O=0V$			3	65	nA	
Input Bias Current	I_{IB}	$V_{IC}=0V$, $V_O=0V$			100	650	nA	
Common Mode Input Voltage	V_{ICM}				V_{CC^-} to $V_{CC^+}-1.8$		V	
Large Signal Voltage Gain	A_{VD}	$R_L=2k\Omega$, $V_O=0V \sim +10V$ $T_{MIN} \leq T_A \leq T_{MAX}$		32 20	100		V/mV	
Output Voltage Swing	$\pm V_{OPP}$	$V_{ID}=\pm 1V$	$V_{CC^+}=+15V$, $V_{CC^-}=-15V$, $R_L=2k\Omega$	V_{OH}	13.4	13.9		V
				V_{OL}		-13.9	-13.5	
			$R_L=10k\Omega$	V_{OH}	13.4	14		
				V_{OL}		-14.7	-14.1	
			$V_{CC^+}=+5V$, $V_{CC^-}=0V$, $R_L=2k\Omega$	V_{OH}	3.7			
				V_{OL}		0.15	0.2	
Output Short Circuit Current	I_O	$V_{ID}=\pm 1V$, $V_O=0V$,	Source	25	37		mA	
			Sink	25	37			
Common Mode Rejection Ratio	CMR	$V_{ic}=-15V \sim +13.2V$		80	100		dB	
Supply Voltage Rejection Ratio	SVR	$V_{CC^+}/V_{CC^-}=+15V/-15V \sim +5V/-5V$		90	105		dB	
Supply Current	I_{CC}	$V_O=0V$, no load, each amplifier	$V_{CC^+}=+15V$, $V_{CC^-}=-15V$			2.75	mA	
			$T_{MIN} \leq T_A \leq T_{MAX}$			2.15		3
			$V_{CC^+}=+5V$, $V_{CC^-}=0V$					2.75
Slew Rate	SR	$V_I=-10V \sim 10V$, $C_L=100pF$, $R_L=2k\Omega$, $A_V=+1$		8	15		V/ μs	
Gain Bandwidth Product	GBP	$f=100kHz$, $R_L=2k\Omega$, $C_L=100pF$		17	25		MHz	
Unity Gain Bandwidth	B	Open loop			5		MHz	
Phase Margin	m	$R_L=2k\Omega$ $R_L=2k\Omega$, $C_L=100pF$			50		Degrees	
					40			
Equivalent Input Noise Voltage	e_N	$R_S=100\Omega$, $f=1kHz$			14		$\frac{nV}{\sqrt{Hz}}$	
Channel Separation	V_{O1}/V_{O2}	$f=20Hz \sim 20kHz$			120		dB	
Total Harmonic Distortion	THD	$V_{CC}=\pm 15V$, $f=1kHz$, $A_{VCL}=20dB$, $R_L=600\Omega$, $V_O=3V_{rms}$			0.003		%	

■ APPLICATIONS INFORMATION

UTC 3422 IN COMPARATOR APPLICATION

The UTC 3422 is a dual bipolar operational amplifier offering a single supply operation from 3V ~ 36V with very good performances: medium speed (25MHz), unity gain stability and low noise.

Most of operational amplifiers are not suited for comparator use because of low transition speed, output signal incompatible with standard logics level and mainly, phase inversion. The phase inversion occurs when a strong differential signal is applied to the device inputs. The output level is then inverted and shows a wrong logic state. The UTC 3422 does not present this problematic behaviour.

Figure 1 shows basic comparator application. Figure 2 shows the curves of the device response in standard comparator configuration without external components.

Transition speed : Typical transition speed under a single 5V supply voltage is about 2µs from 50mV overdrive. $V_{OH(MIN)}$ is 3.7V and $V_{OL(MAX)}$ is 0.2V (2kΩ load) making it compatible with standard logic families.

Figure 3 shows output signal transition for a 50mV input signal overdrive respectively of 3µs.

Figure 4 shows output signal transition for a 250mV input signal overdrive respectively of 1µs.

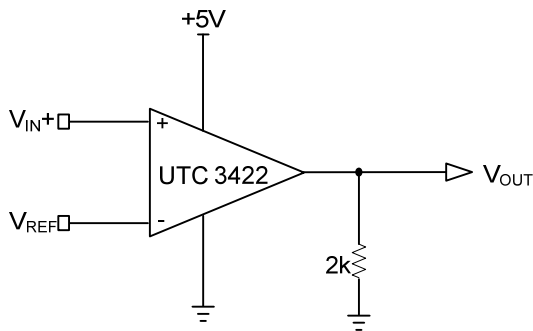


Figure.1 Basic Comparator Application

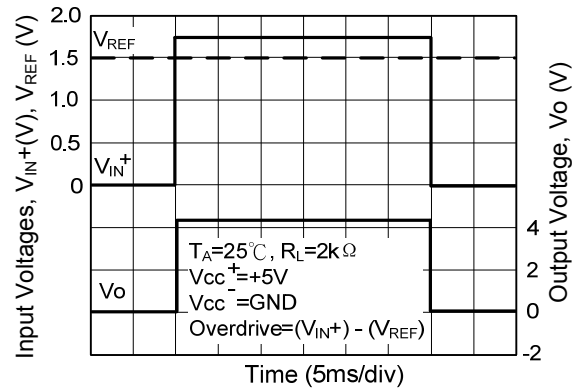


Figure.2 Operating Conditions

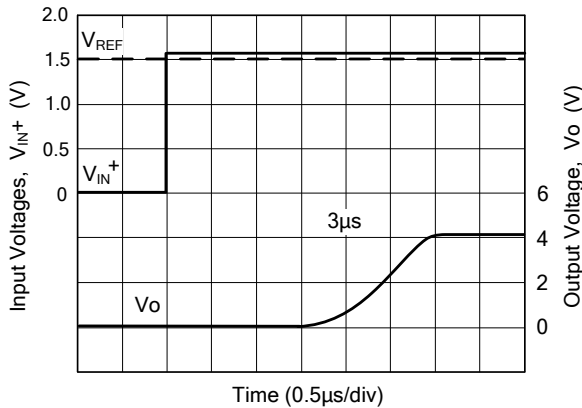


Figure.3 Transition Speed @ 50mV Overdrive

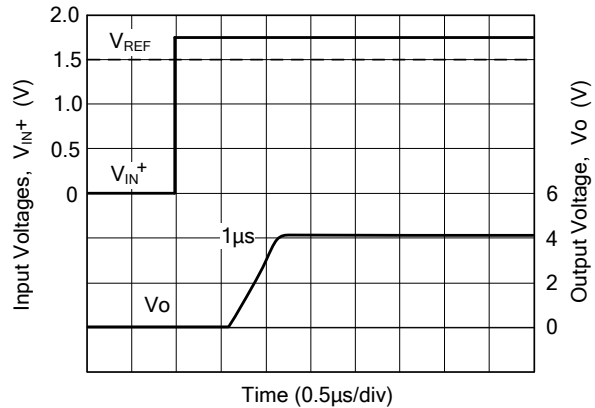


Figure.4 Transition Speed @ 250mV Overdrive

■ APPLICATIONS INFORMATION(Cont.)

PHASE INVERSION

The UTC 3422 keeps the right output level thanks to its specific input structures at high differential input voltage. The advantage is obvious on the following figures and can be also an advantage in linear use when saturation might occur.

Figure 5 shows the behaviour in follower stage with saturation output of UTC 3422.

Figure 6 shows the saturation behaviour with 15MHz standard operational amplifier.

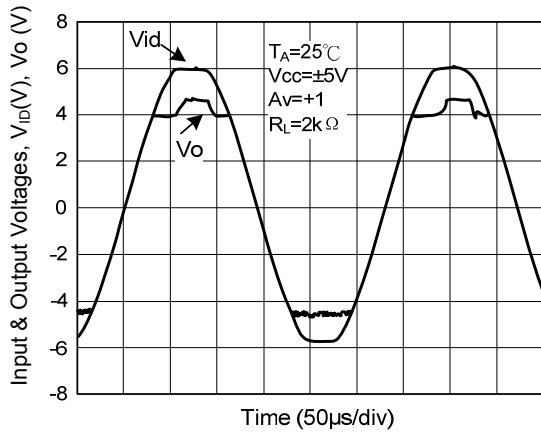


Figure.5 Behaviour With UTC3422

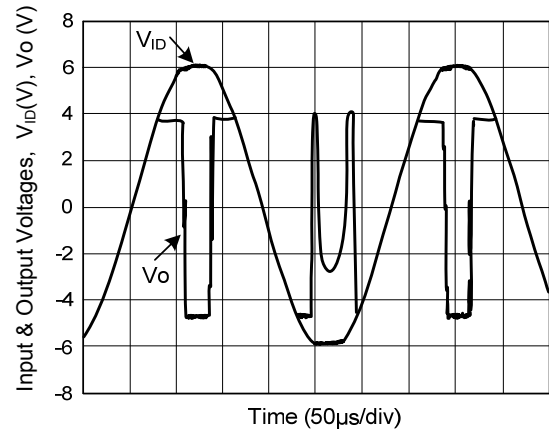


Figure.6 Saturation Behaviour With 15MHz Standard Operational Amplifier

UTC assumes no responsibility for equipment failures that result from using products at values that exceed, even momentarily, rated values (such as maximum ratings, operating condition ranges, or other parameters) listed in products specifications of any and all UTC products described or contained herein. UTC products are not designed for use in life support appliances, devices or systems where malfunction of these products can be reasonably expected to result in personal injury. Reproduction in whole or in part is prohibited without the prior written consent of the copyright owner. UTC reserves the right to make changes to information published in this document, including without limitation specifications and product descriptions, at any time and without notice. This document supersedes and replaces all information supplied prior to the publication hereof.