

Potting type HV subassembly -SERIES

Finds use in applications such as X-ray machines and electrostatic precipitators.

■ Features

- Rectifier Blocks
- High Voltage
- Mounting
- Slots

■ Applications

- X light Power supply
- Laser
- Voltage doubler circuit
- Microwave emission power

■ Maximum Ratings and Characteristics

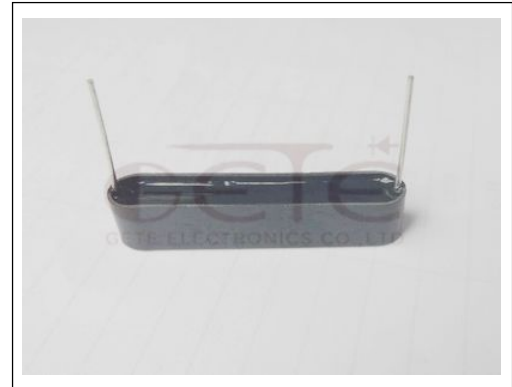
- Absolute Maximum Ratings

Items	Symbols	Condition	2CL15KV-1A	Units
Repetitive Peak Reverse Voltage	V_{RRM}		15	kV
Average Output Current	I_o	Ta=25°C, Resistive Load	1000	mA
Surge Current	I_{FSM}		30	A _{peak}
Junction Temperature	T_j		125	°C
Allowable Operation Case Temperature	T_c		125	°C
Storage Temperature	T_{stg}		-40 to +125	°C

- Electrical Characteristics (Ta=25°C Unless otherwise specified)

Items	Symbols	Conditions	2CL15KV-1A	Units
Maximum Forward Voltage Drop	V_F	at 25°C, $I_F = I_{F(AV)}$	24	V
Maximum Reverse Current	IR1	at 25°C, $V_R = V_{RRM}$	5.0	μA
	IR2	at 100°C, $V_R = V_{RRM}$	50	μA
Maximum Reverse Recovery Time	T_{rr}	at 25°C	---	nS
Junction Capacitance	C_j	at 25°C, $V_R = 0V, f = 1MHz$	---	pF

■ The picture

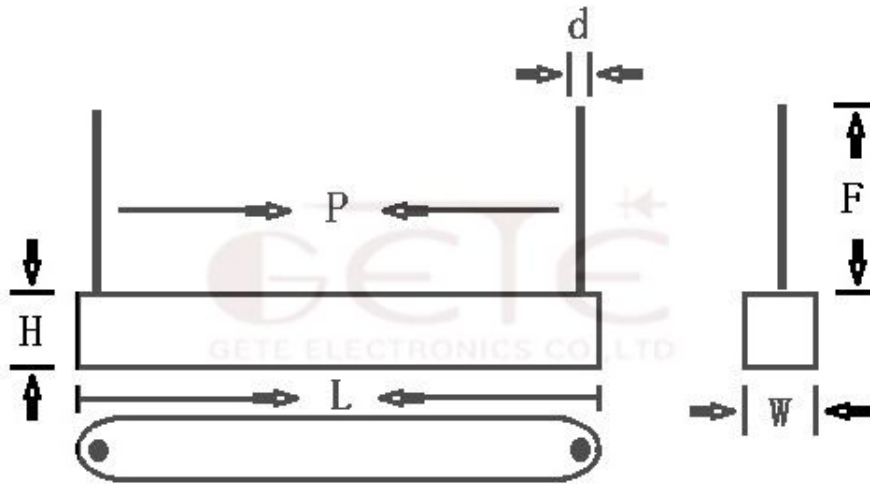


■ Cathode Mark

Type	Mark
2CL15KV-1A	

■ Weight: 32.5g

■ Outline Drawings : mm



L	H	W	P	F	d
55	10	10	50	20	1.25