

## SURFACE MOUNT INDUCTORS

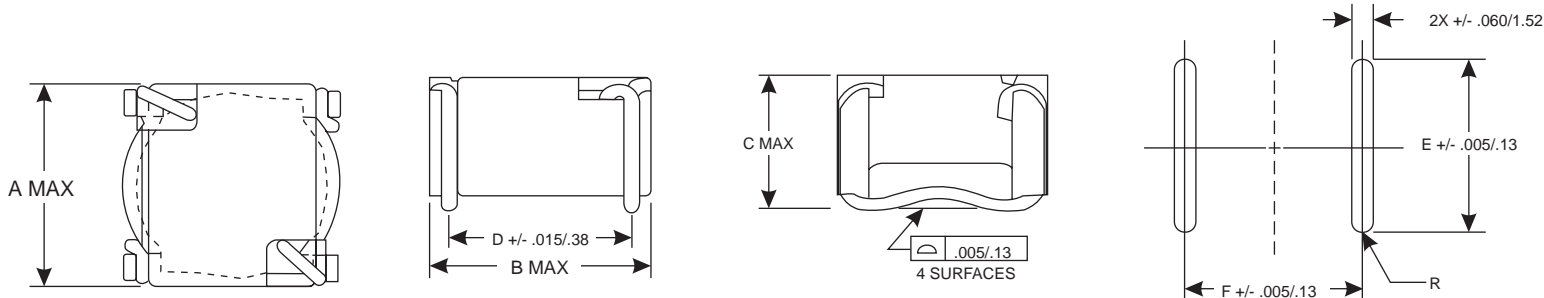
### ELECTRICAL SPECIFICATIONS @ 25° C

Reference Values <sup>(2)</sup>				Control Values			Calculation Data		
Part Number <sup>(1)</sup>	I <sub>DC</sub> <sup>(3)</sup> (Amps)	L w/DC L <sub>DC</sub> (μHy)	ET	Size Code	L w/o DC L <sub>O</sub> (Orsted)	MAX DCR R <sub>DC</sub> (mOhms)	100 Gauss ET <sub>100</sub> (Orsted)	1 Smp DC H <sub>I</sub> (Orsted)	Nom DCR R <sub>n</sub> (mOhms)
XF0076S3	1.40	6.20	1.33	S3	7.0	70.0	0.94	21.9	60.3
XF0226S3	1.00	17.6	2.40	S3	22.7	125	1.68	39.3	109
XF0356S4	1.40	29.7	4.60	S4	35.3	166	4.12	23.2	141
XF0736S5	1.30	58.1	7.83	S5	73.0	290	1.09	28.8	233
XF1676S4	0.94	114	10.0	S4	167	380	8.97	50.5	330
XF2926S5	0.90	192	15.7	S5	292	560	14.2	57.7	472
XF6726S5	0.72	383	23.5	S5	672	862	21.3	86.5	750
XF0013S6	0.74	645	36.5	S6	1134	1250	37.2	84.4	1040
XF0023S7	0.71	1070	54.4	S7	1950	1700	56.9	95.7	1480
XF0016S3	3.4	1.01	0.532	S3	1.10	11.0	0.37	8.74	12.5
XF0126S4	2.8	9.4	2.70	S4	12.3	43.4	2.42	13.7	37.8
XF0216S5	2.7	16.2	4.29	S5	21.9	63.0	3.88	15.8	54.7
XF0406S6	2.7	29.1	6.90	S6	40.5	85.0	7.02	15.9	75.8
XF0726S7	2.6	50.0	10.5	S7	72.9	133	11.0	18.5	115
XF0056S4	4.8	3.8	1.76	S4	5.20	17.3	1.58	8.87	14.8
XF0076S5	5.4	5.1	2.51	S5	7.5	17.7	2.27	9.25	14.3
XF0146S6	5.5	9.0	4.06	S6	14.0	22.3	4.13	9.38	19.3
XF0256S7	5.1	16.1	6.27	S7	25.9	32.0	6.55	11.0	30.3
XF0036S5	8.0	2.5	1.77	S5	3.80	8.3	1.61	6.53	7.20
XF0076S6	7.8	4.9	3.04	S6	7.9	12.4	3.10	7.03	10.5
XF0166S7	7.2	9.3	4.92	S7	16.0	18.7	5.15	8.67	16.3
XF0026S8	11.5	1.32	1.33	S8	2.10	4.0	1.20	4.90	3.39
XF0046S9	11.4	2.5	2.23	S9	4.20	5.4	2.27	5.16	4.64
XF0086S10	10.4	4.7	3.58	S10	8.4	8.3	3.75	6.30	7.18
XF0176S11	10.9	9.4	6.84	S11	17.6	12.3	7.93	6.24	10.7
XF0016S8	14.3	0.81	1.035	S8	1.25	2.5	0.94	381	2.16
XF0026S9	13.9	1.68	1.83	S9	2.80	3.6	1.86	4.22	3.16
XF0066S10	12.4	3.5	3.13	S10	6.5	6.6	3.28	5.52	5.75
XF0106S11	15.4	5.2	5.21	S11	10.5	6.2	6.04	4.75	5.30

## SURFACE MOUNT INDUCTORS

### MECHANICAL DIMENSIONS

#### Low Current Inductors



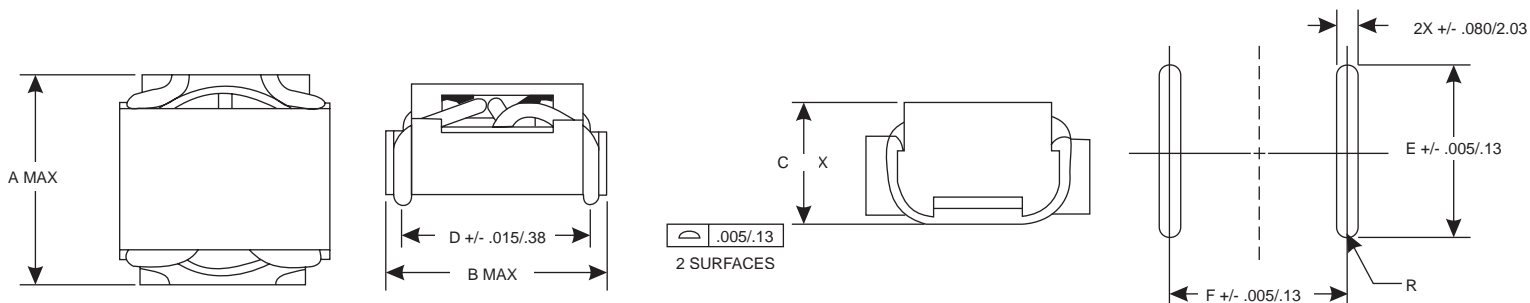
Top View

Suggested PCB Layout

SIZE CODE	A	B	C	D	E	F
S3	.340/8.64	.340/8.64	.270/6.86	.260/6.60	.300/7.62	.270/6.86
S4	.435/11.05	.440/11.18	.360/9.14	.350/8.89	.400/10.16	.360/9.14
S5	.560/14.22	.565/14.35	.360/9.14	.450/11.43	.520/13.21	.460/11.68
S6	.590/14.99	.615/15.62	.390/9.91	.500/12.70	.550/13.97	.510/12.95
S7	.670/17.02	.700/17.78	.390/9.91	.580/14.73	.620/15.75	.590/14.99

DIMENSIONS: INCHES/mm

#### High Current Inductors



Top View

Suggested PCB Layout

SIZE CODE	A	B	C	D	E	F
S8	.615/15.62	.600/15.24	.370/9.40	.500/12.70	.440/11.18	.500/12.70
S9	.665/16.89	.665/16.89	.390*/9.91	.560/14.22	.490/12.45	.570/14.48
S10	.740/18.80	.740/18.80	.390*/9.91	.630/16.00	.560/14.22	.640/16.26
S11	.940/23.88	.940/23.88	.390*/9.91	.820/20.83	.700/17.78	.830/21.08

\*DIM IS .400/10.16 FOR THE MARKED MODELS BECAUSE OF HEAVIER WIRE GAGE.

DIMENSIONS: INCHES/mm