

PLEASE CHECK WWW.MOLEX.COM FOR LATEST PART INFORMATION

Part Number: [62100-1900](#)
Status: **Active**
Description: MiniDIMM Memory Card Extraction Tool

Documents:
[RoHS Certificate of Compliance \(PDF\)](#)

General

Product Family	Application Tooling
Series	T9999
Function	Extraction
Geographic Area	Global
Level of Automation	Manual
More Detailed Tech Information	applicationtooling@molex.com
Product Name	MiniDIMM
Survey	www.molex.com//review/apptool_survey.html
Tool Type	Handtool
UPC	884982908475

Material Info

Reference - Drawing Numbers

Application Tooling Documents	ATS-621001900
-------------------------------	---------------

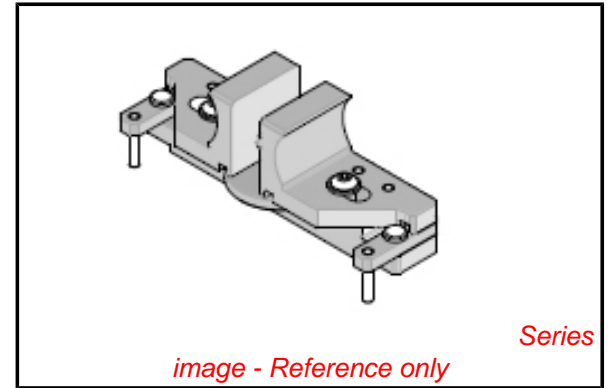


image - Reference only

EU RoHS

**ELV and RoHS
Compliant**

REACH SVHC

Not Reviewed

Low-Halogen Status

Not Reviewed

China RoHS



**Need more information on product
environmental compliance?**

Email productcompliance@molex.com
 For a multiple part number RoHS Certificate of
 Compliance, [click here](#)

Please visit the [Contact Us](#) section for any
 non-product compliance questions.

Search Parts in this Series

T9999Series

Use With

MiniDIMM 0.60mm Pitch DDR/DDR2/DDR3
 Sockets, 244 Circuits 87918 , 87940 , 78001