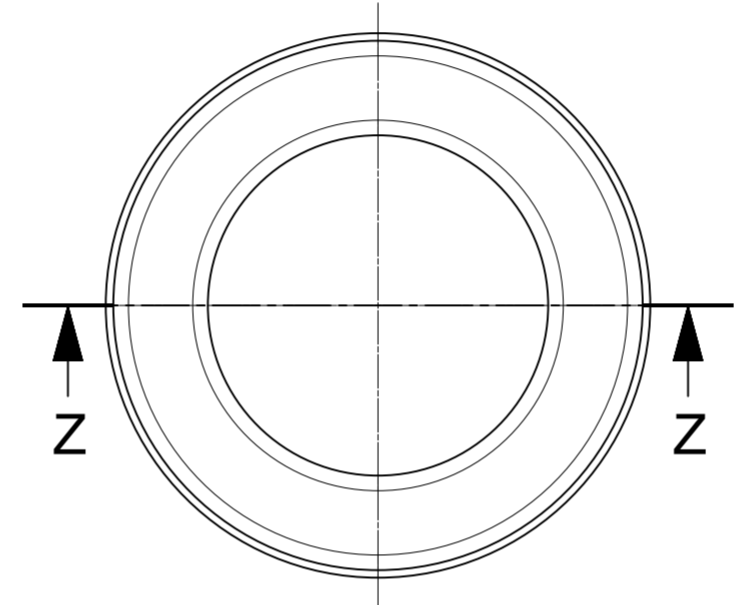


No flash, no cut, no less material,  
no deformation on seal lips



MATERIAL SPECIFICATION : SILICON ELASTOMER TYPE LSR 50±5 SHORE A ,  
SELF BLEEDING OIL CONTENT : 0%

LOOSE PACKAGING

50 000 seals ( 5 bags of 10 000 seals) / cardboard box.  
PACKAGING CODE : GALIA A12

0643251091	BLACK	0,19
MOLEX PART NUMBER	COLOUR	CALCULATED WEIGHT (g)

THIS DRAWING CONTAINS INFORMATION THAT IS PROPRIETARY TO MOLEX ELECTRONIC TECHNOLOGIES, LLC AND SHOULD NOT BE USED WITHOUT WRITTEN PERMISSION																	
DIMENSION UNITS		SCALE		CURRENT REV DESC: REMASTERED IN ECTR													
mm		10:1		<p><b>molex</b></p> <p>WIRE SEAL PLUG RCPT 2.8 TERM</p> <p>PRODUCT CUSTOMER DRAWING</p> <table border="1"> <tr> <td>DOCUMENT NUMBER</td> <td>DOC TYPE</td> <td>DOC PART</td> <td>REVISION</td> </tr> <tr> <td>SD-64325-004</td> <td>PSD</td> <td>001</td> <td>D1</td> </tr> </table>						DOCUMENT NUMBER	DOC TYPE	DOC PART	REVISION	SD-64325-004	PSD	001	D1
DOCUMENT NUMBER	DOC TYPE	DOC PART	REVISION														
SD-64325-004	PSD	001	D1														
GENERAL TOLERANCES (UNLESS SPECIFIED)																	
	MM	INCH															
4 PLACES	±	±															
3 PLACES	±	±															
2 PLACES	±	±															
1 PLACE	± 0.15	±															
0 PLACES	±	±															
ANGULAR TOL		± 3.0 °		INITIAL REVISION:		2007/07/13		2007/07/14									
DRAFT WHERE APPLICABLE MUST REMAIN WITHIN DIMENSIONS		FIRST ANGLE PROJECTION		DRAWING		SERIES		MATERIAL NUMBER									
				A2-SIZE		64325		0643251091									
				GENERAL MARKET		CUSTOMER		SHEET NUMBER									
								1 OF 1									