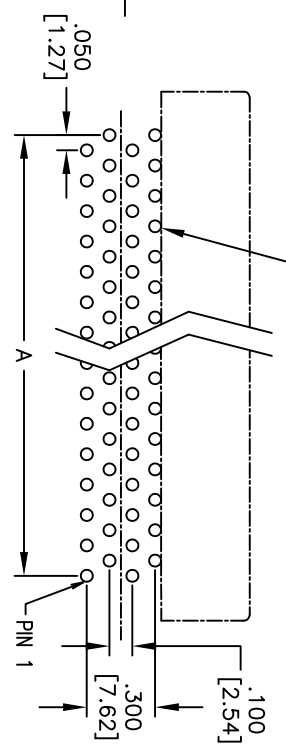
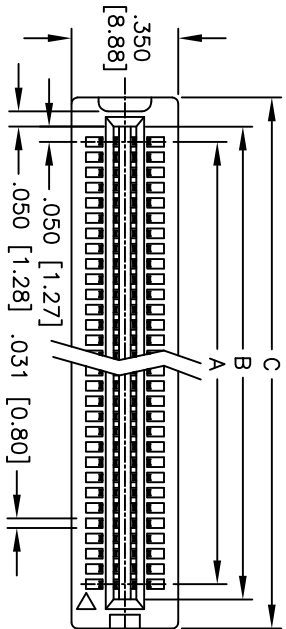
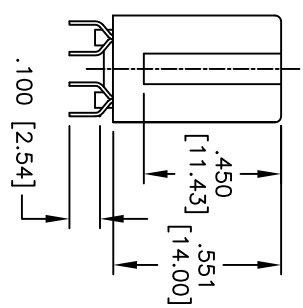
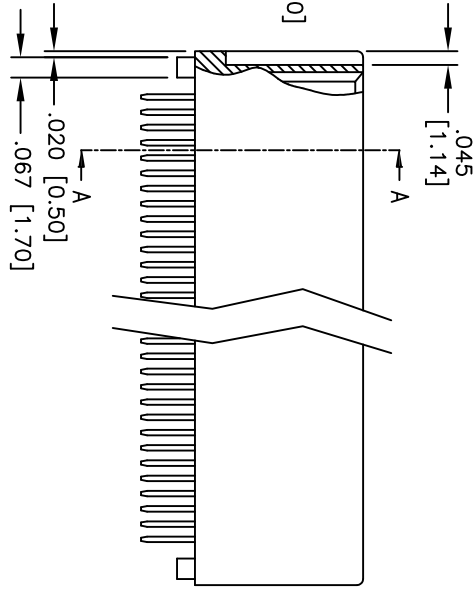
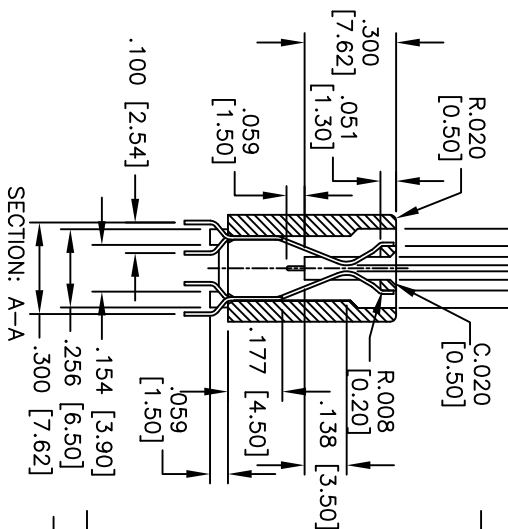


Rev	AWO #	Description	Date	Appr
-		RELEASED	11/26/10	

APPROVED: _____
 DATE: _____ TITLE: _____



RECOMMENDED PCB LAYOUT



SPECIFICATIONS:
 Material:
 Insulator: Hi-temp PPS, rated UL 94V-0
 Insulator color: Black
 Contacts: Copper Alloy
 Plating:
 Gold flash over Nickel underplate on contact area,
 Tin over Copper underplate on PCB tails
 Electrical:
 Operating voltage: 250 VAC RMS.
 Current rating: 1 Amp.
 Contact resistance: 30 mohms max.
 Insulation resistance: 1000 Mohms min.
 Dielectric withstanding voltage: 500 VAC for 1 minute
 Temperature Rating:
 Operating temperature: -55°C to +85°C
 Environmental:
 Lead free, RoHS compliant
 Recommended soldering temp: 260°C for 5 seconds

Positions: 4, 6, 8, 10, 12, 14, 16, 18, 20, 22, 24, 26, 28, 30, 32, 34, 36, 38, 40, 42, 44, 46, 48, 50, 52, 54, 56, 58, 60, 80, 100, 120, 124, 160, 182
 A = .050 [1.27] x No. of Spaces
 B = A + .100 [2.54]
 C = A + .290 [7.37]

UNLESS OTHERWISE SPECIFIED
 ALL DIMENSIONS ARE INCHES [MM]
 TOLERANCES: EXCEPT AS NOTED
 INCHES Holes ±.10
 .XX ±.020 ØXX ±.015
 .XXX ±.015 ØXXX ±.010
 APPROVALS DATE



ADAM TECH
 909 Rahway Avenue, Union, NJ 07083
 Phone: 908-687-5000 Fax: 908-687-5710

DRAWN	DY	11/26/10
CHECKED		
APPROVED		

SIZE	PART NO.	REV.
X	HCE-XX-G	-
REF: S00140T	SCALE: NTS	SHEET 1 OF 1

TITLE
 .050 [1.27] PITCH CARD EDGE, PCB TYPE