



**BOURNS®**

## Features

- Formerly J. W. Miller® model
- Height of 3.0 mm max.
- Current rating up to 2.0 A
- RoHS compliant\*

## Applications

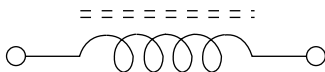
- Input/output of DC/DC converters
- Industrial electronics
- Power supplies for:
  - Portable communications equipment
  - Camcorders
  - LCD TVs
  - Car radios

# PM3308 Series - SMD Power Inductors

### Electrical Specifications

| Bourns Part No. | Inductance 100 kHz |          | Test Frequency (MHz) | DCR Max. (mΩ) | I <sub>rms</sub> (A) | I <sub>sat</sub> (A) |
|-----------------|--------------------|----------|----------------------|---------------|----------------------|----------------------|
|                 | (μH)               | Tol. (%) |                      |               |                      |                      |
| PM3308-100M-RC  | 10                 | ±20      | 2.52                 | 0.11          | 2.00                 | 2.40                 |
| PM3308-150M-RC  | 15                 | ±20      | 2.52                 | 0.15          | 1.50                 | 2.00                 |
| PM3308-220M-RC  | 22                 | ±20      | 2.52                 | 0.23          | 1.30                 | 1.60                 |
| PM3308-330M-RC  | 33                 | ±20      | 2.52                 | 0.30          | 1.10                 | 1.40                 |
| PM3308-470M-RC  | 47                 | ±20      | 2.52                 | 0.39          | 0.80                 | 1.00                 |
| PM3308-680M-RC  | 68                 | ±20      | 2.52                 | 0.7           | 0.70                 | 0.90                 |
| PM3308-101M-RC  | 100                | ±20      | 0.796                | 0.8           | 0.60                 | 0.70                 |
| PM3308-151M-RC  | 150                | ±20      | 0.796                | 1.2           | 0.50                 | 0.60                 |
| PM3308-221M-RC  | 220                | ±20      | 0.796                | 1.9           | 0.40                 | 0.50                 |
| PM3308-331M-RC  | 330                | ±20      | 0.796                | 2.7           | 0.30                 | 0.40                 |
| PM3308-471M-RC  | 470                | ±20      | 0.796                | 4.0           | 0.20                 | 0.30                 |
| PM3308-681M-RC  | 680                | ±20      | 0.796                | 5.3           | 0.10                 | 0.20                 |
| PM3308-102M-RC  | 1000               | ±20      | 0.252                | 8.4           | 0.05                 | 0.10                 |

### Electrical Schematic



### Typical Part Marking



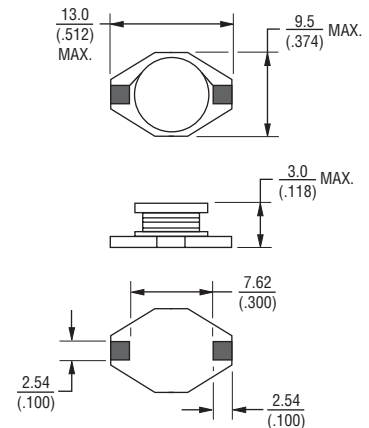
### General Specifications

Test Voltage ..... 0.1 V  
 Reflow Soldering ... 230 °C; 50 sec. max.  
 Operating Temperature  
 ..... -55 °C to +125 °C  
 (Temperature rise included)  
 Storage Temperature ... -55 °C to +125 °C  
 Resistance to Soldering Heat  
 ..... 260 °C, 10 sec. max.

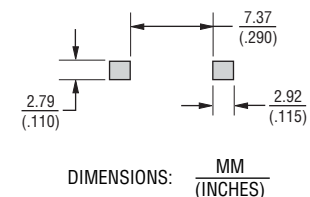
### Materials

Core ..... Ferrite  
 Wire ..... Enameled copper  
 Terminal ..... Sn/Ni/Cu  
 Rated Current  
 ..... Ind. drop 10 % typ. at I<sub>sat</sub>  
 Temperature Rise  
 ..... 30 °C typical at I<sub>rms</sub>  
 Packaging ..... 1000 pcs. per reel

### Product Dimensions



### Recommended Pad Layout

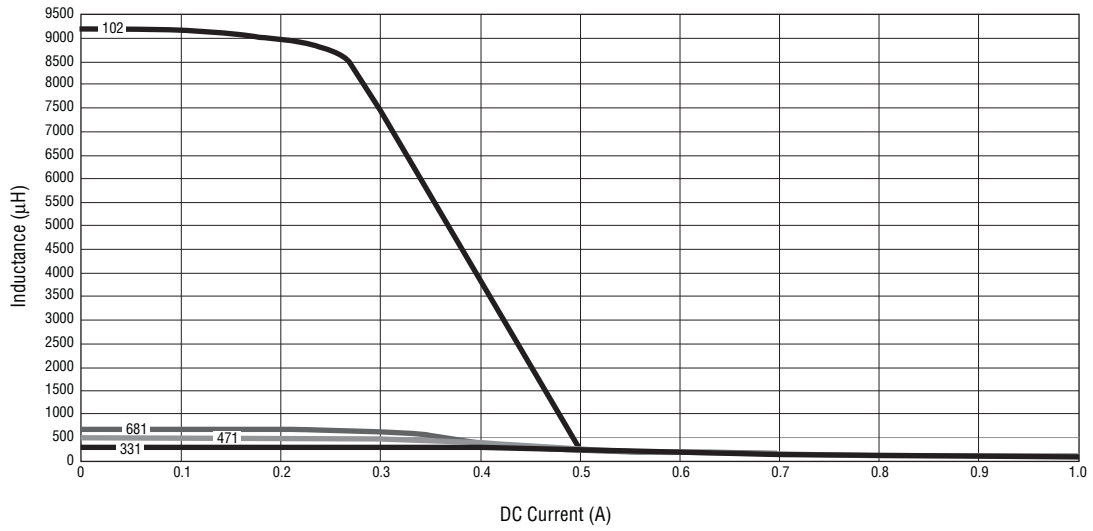
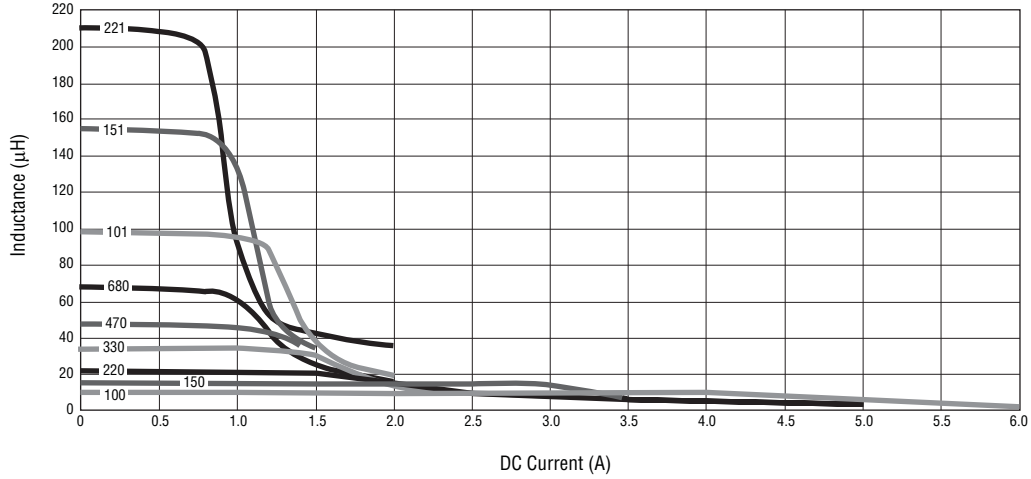


\*RoHS Directive 2002/95/EC Jan. 27, 2003 including annex and RoHS Recast 2011/65/EU June 8, 2011.  
 Specifications are subject to change without notice.  
 Customers should verify actual device performance in their specific applications.

# PM3308 Series - SMD Power Inductors



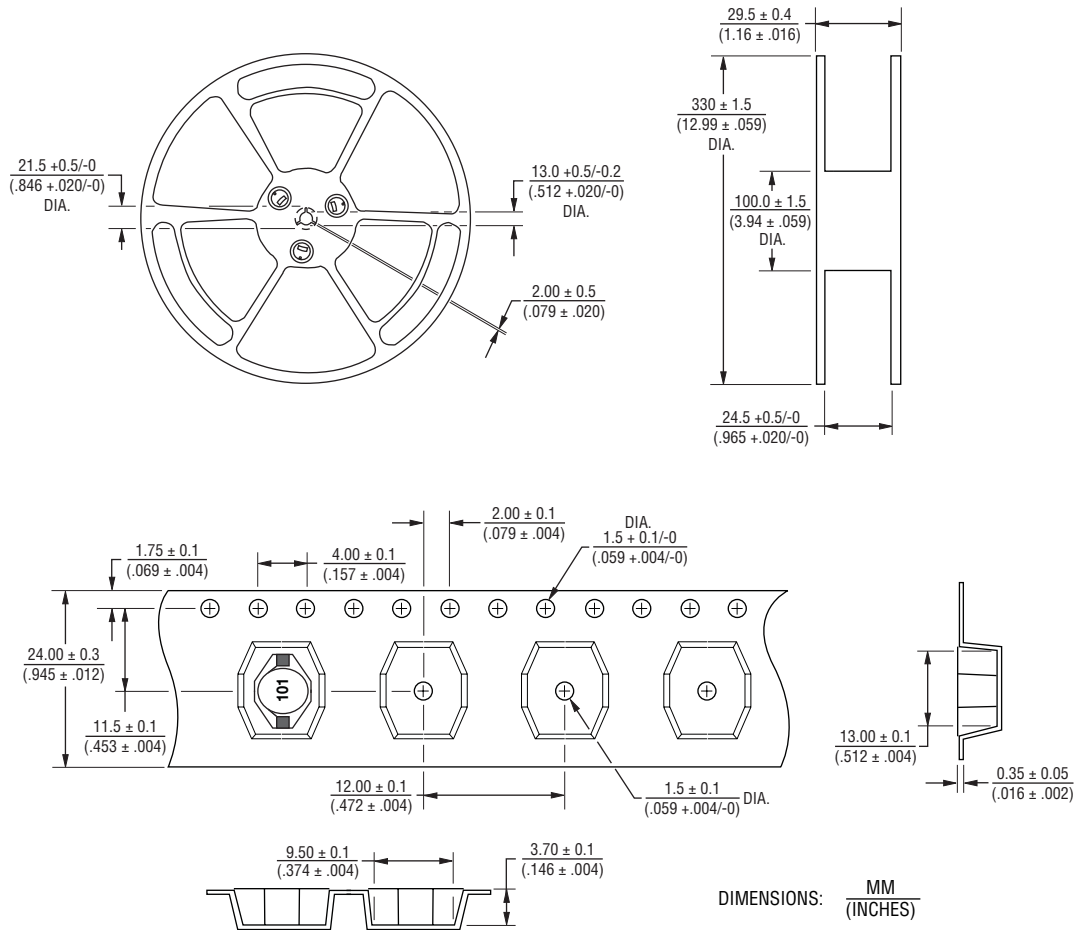
## Inductance vs. Current



# PM3308 Series - SMD Power Inductors



## Packaging Specifications



QUANTITY: 1000 PCS. PER REEL

DIMENSIONS:  $\frac{\text{MM}}{\text{(INCHES)}}$