



Dual 1 Form A
Solid State Relay



DESCRIPTION

The AD4C111-L is a bi-directional, double-pole, single-throw, normally open solid-state relay. The combination of high load voltage, low on-resistance, and current limit protection make the AD4C111-L a unique device.

The AD4C111-L combines two optically isolated, discrete, current limit protected SSRs in one compact 8 pin DIP/SMD package. Each SSR is composed of an IR LED, optically coupled to an IC, which in turn drives back-to-back MOSFETs on the output. The IC provides current limit protection. During transient current spikes, this circuitry limits the current on the output of the device, thereby offering an additional measure of protection to itself and downstream components.

FEATURES

- Current Limit Protection
- Low input control power consumption
- 110mA maximum continuous load current
- 35 ohms maximum on-resistance
- Long life/high reliability
- RoHS / Pb-Free / REACH Compliant

APPLICATIONS

- Multiplexers
- Meter reading systems
- Data Acquisition
- Medical equipment
- Battery monitoring
- Home Safety / Security Systems

OPTIONS/SUFFIXES*

- -S Surface Mount Leadform Option (50 pcs / tube)
- -TR Tape and Reel Option Packing Option (1000 pcs / reel)

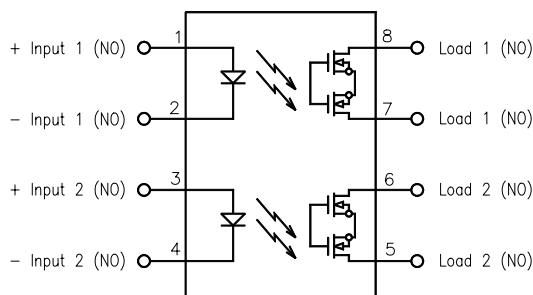
NOTE: Suffixes listed above are not included in marking on device for part number identification.

ABSOLUTE MAXIMUM RATINGS*

PARAMETER	UNIT	MIN	TYP	MAX
Storage Temperature	°C	-55		125
Operating Temperature	°C	-40		85
Continuous Input Current	mA			40
Transient Input Current	mA			400
Reverse Input Control Voltage	V	6		
Output Power Dissipation	mW			800

*The values indicated are absolute stress ratings. Functional operation of the device is not implied at these or any conditions in excess of those defined in electrical characteristics section of this document. Exposure to Absolute Ratings may cause permanent damage to the device and may adversely affect reliability.

SCHEMATIC DIAGRAM



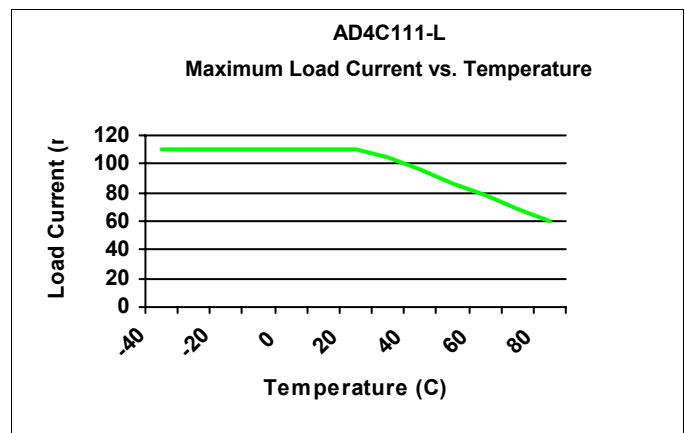
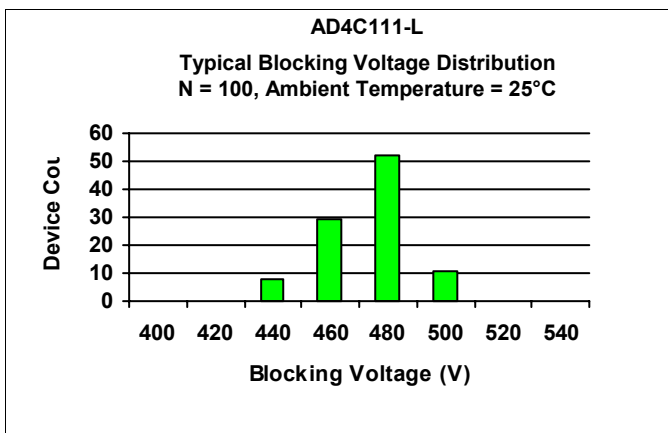
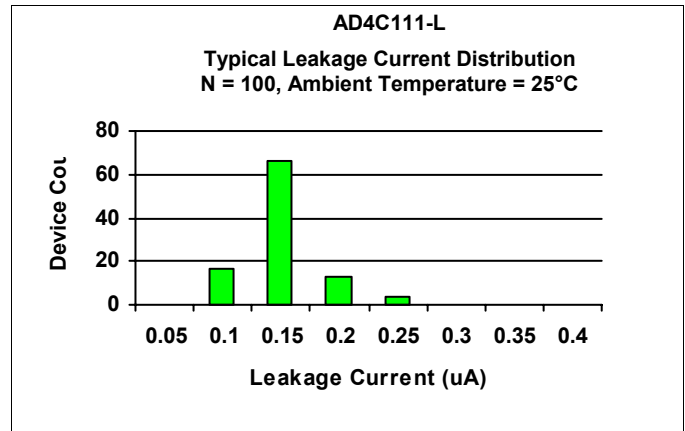
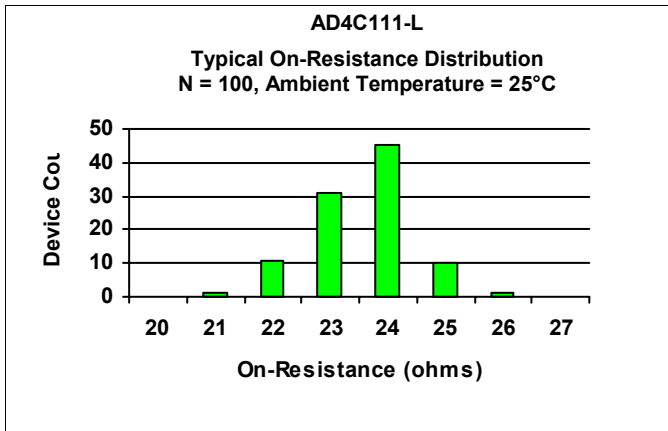
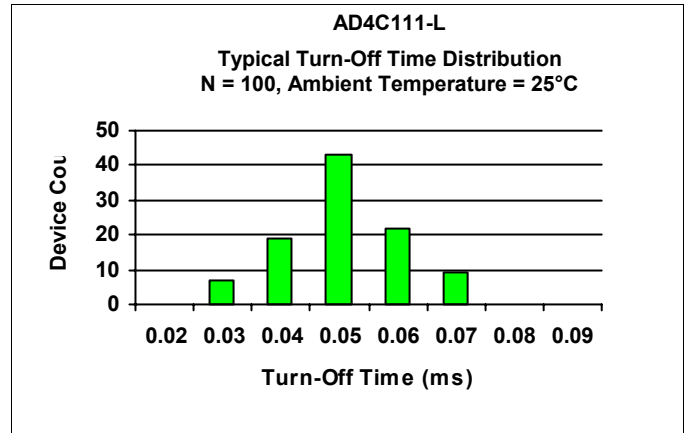
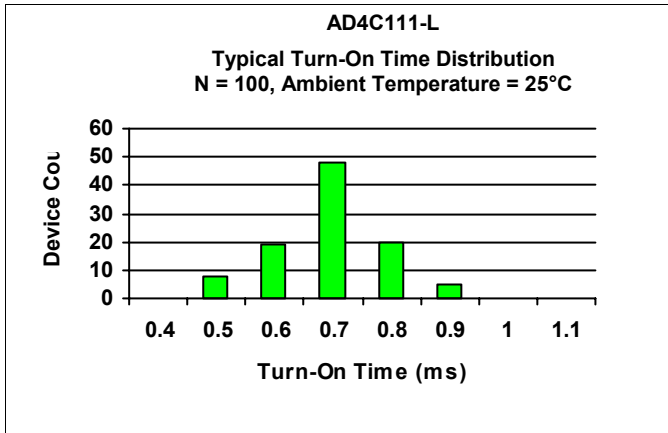
APPROVALS

- UL/C-UL Approved
- CSA Approved

ELECTRICAL CHARACTERISTICS - 25°C

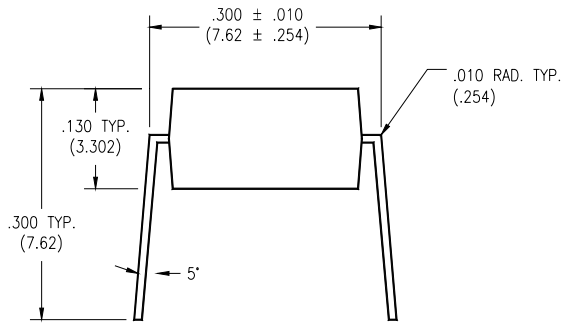
PARAMETER	UNIT	MIN	TYP	MAX	TEST CONDITIONS
INPUT SPECIFICATIONS					
LED Forward Voltage	V		1.2	1.5	If = 10mA
LED Reverse Voltage	V	6	12		Ir = 10uA
Turn-On Current	m A		1.5	5	Io = 110mA
Turn-Off Current	m A		0.5		
OUTPUT SPECIFICATIONS					
Blocking Voltage	V	400			Io = 1uA
Continuous Load Current	m A			110	If = 5mA
Current Limit	m A	160	250	350	If = 5mA
On-Resistance	Ω		23	35	Io = 110mA
Leakage Current	μ A		0.2	1	Vo = 400V
Output Capacitance	p F		25	50	Vo = 25V, f = 1.0MHz
Offset Voltage	m V			0.2	If = 5mA
COUPLED SPECIFICATIONS					
Isolation Voltage	V	3750			T = 1 minute
Turn-On Time	m s		0.75	2	If = 5mA, Io = 110mA
Turn-Off Time	m s		0.05	0.5	If = 0mA, Io = 110mA
Isolation Resistance	G Ω	100			
Coupled Capacitance	p F		3		
Contact Transient Ratio	V / μ s	3750	7000		dV = 50V

PERFORMANCE DATA



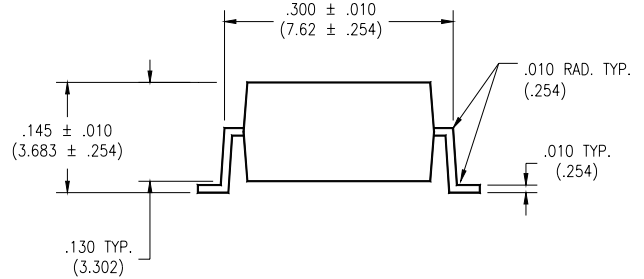
MECHANICAL DIMENSIONS

8 PIN DUAL IN-LINE PACKAGE

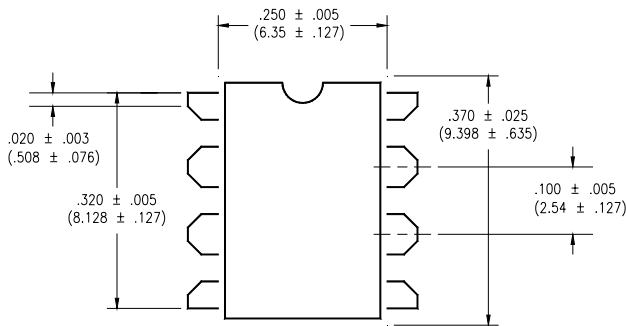


END VIEW

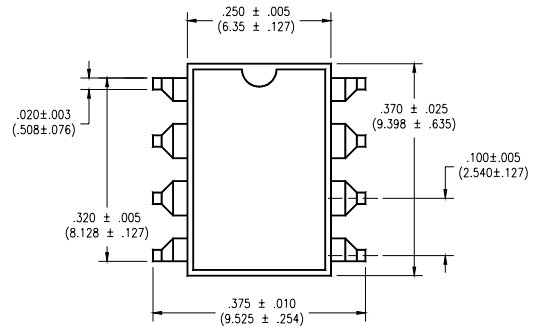
8 PIN SURFACE MOUNT DEVICE



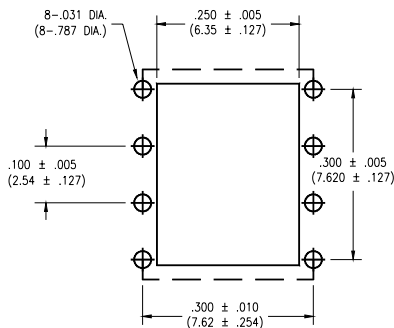
END VIEW



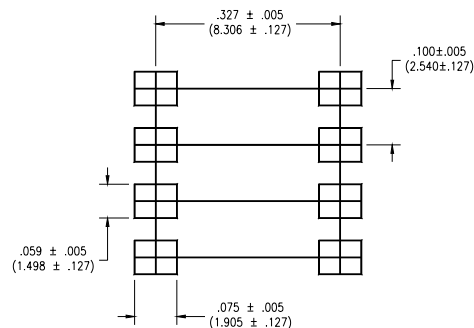
TOP VIEW



TOP VIEW



**BOTTOM VIEW/
BOARD PATTERN**



**BOTTOM VIEW/
BOARD PATTERN**

DISCLAIMER

Solid State Optronics (SSO) makes no warranties or representations with regards to the completeness and accuracy of this document. SSO reserves the right to make changes to product description, specifications at any time without further notice. SSO shall not assume any liability arising out of the application or use of any product or circuit described herein. Neither circuit patent licenses nor indemnity are expressed or implied. Except as specified in SSO's Standard Terms & Conditions, SSO disclaims liability for consequential or other damage, and we make no other warranty, expressed or implied, including merchantability and fitness for particular use.

LIFE SUPPORT POLICY

SSO does not authorize use of its devices in life support applications wherein failure or malfunction of a device may lead to personal injury or death. Users of SSO devices in life support applications assume all risks of such use and agree to indemnify SSO against any and all damages resulting from such use. Life support devices are defined as devices or systems which, (a) are intended for surgical implant into the body, or (b) support or sustain life, and (c) whose failure to perform when used properly in accordance with instructions for use can be reasonably expected to result in significant injury to the user, or (d) a critical component in any component of a life support device or system whose failure can be reasonably expected to cause failure of the life support device or system, or to affect its safety or effectiveness.