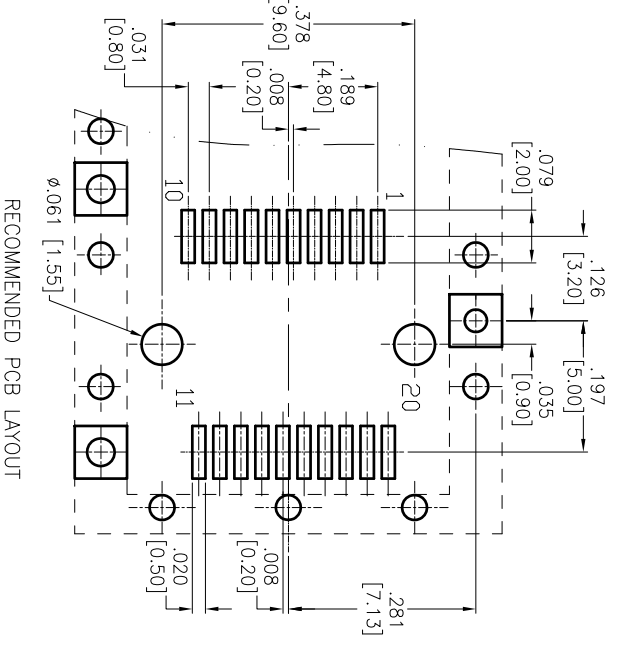
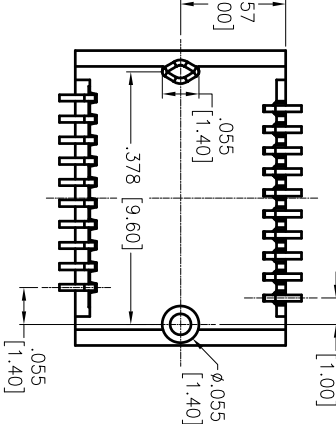
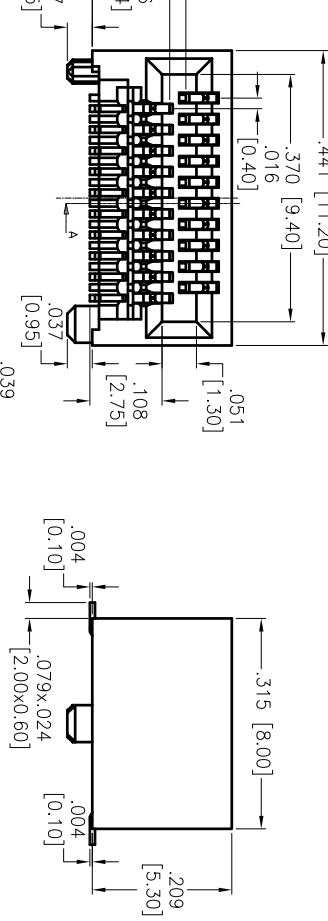
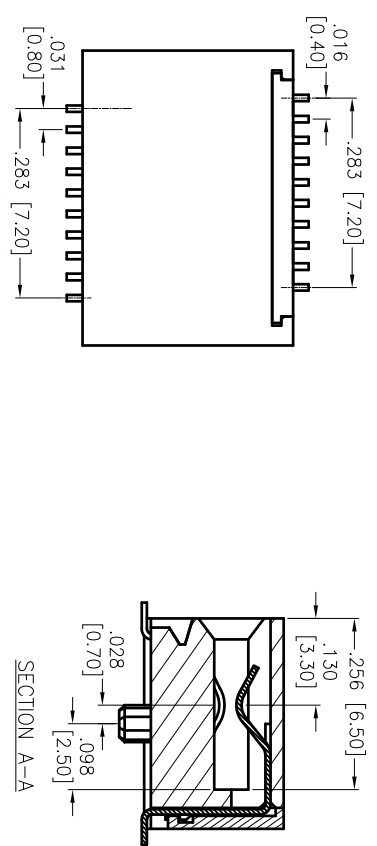


Rev	AWO #	Description	Date	Appr
-		RELEASED	09/04/12	

APPROVED: _____
 DATE: _____ TITLE: _____



RECOMMENDED PCB LAYOUT

SPECIFICATIONS:

- Material: Insulator: Hi-Temp Thermoplastic, rated UL 94V-0
- Insulator color: Black
- Contacts: Copper Alloy
- Plating: Gold flash over Nickel underplate on contact area, Tin over Nickel underplate on SMT tails
- Electrical: Operating voltage: 30 VAC max
- Current rating: 0.5 Amps max
- Contact resistance: 20 mohms max
- Insulation resistance: 500 Mohms min @ 500 VDC
- Temperature Rating: Operating temperature: -55°C to +85°C
- Environmental: Lead free, RoHS compliant

ADAM TECH

909 Railway Avenue, Union, NJ 07083
 Phone: 908-687-5000 Fax: 908-687-5710

SMALL FORM FACTOR CONNECTOR, 20P
 SMT TYPE, SEL GOLD PLATED

UNLESS OTHERWISE SPECIFIED ALL DIMENSIONS ARE INCHES [MM]		TOLERANCES EXCEPT AS NOTED	
INCHES	±.10	HOLE	±.10
.XX	±.020	ØXXX	±.015
.XXX	±.015	ØXXX	±.010
APPROVALS		DATE	
DRAWN	TW	09/04/12	
CHECKED	AY	09/04/12	
APPROVED			

REF:	S00010C	SCALE:	NTS	SHEET	1 OF 1
SIZE	X	PART NO.	SFF-20-SG-A	REV.	

