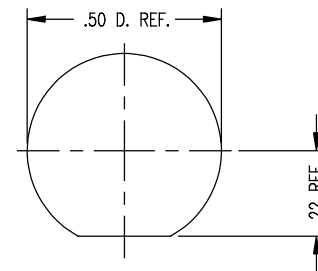
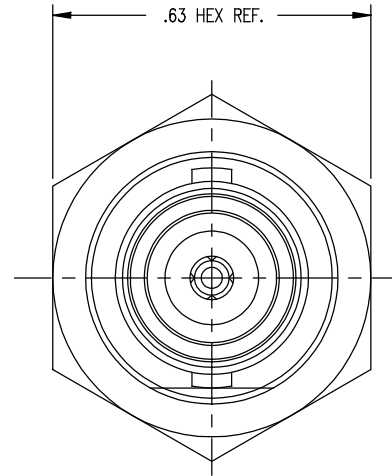
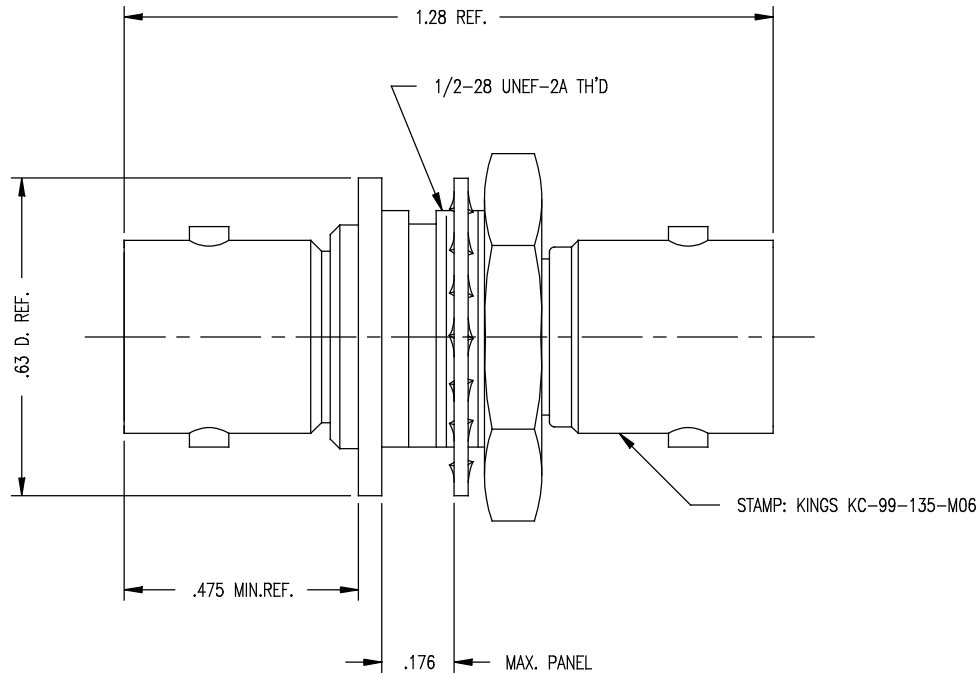


| | | |
|----------|--------|-----------|
| DASH NO. | M CODE | MADE FROM |
|----------|--------|-----------|

GSD

| REVISIONS | |
|-----------|--------------------------------------|
| ISSUE | CHANGES |
| 1 | CN 36716 C REDRAWN KH 12/06/95 |
| 2 | CN 37888 B GEH 09/02/99 |

KC-99-135-M06



MOUNTING HOLE

GSD

NOTES:

1. MATERIALS:
INSULATORS-TEFLON, ASTM-B-4894
LOCKWASHER-PHOSPHOR BRONZE, ASTM-B-103
CENTER CONTACT-BER. COP., ASTM-B-196
ALL OTHER METAL PARTS-BRASS, ASTM-B16
2. FINISHES:
CENTER CONTACT-GOLD PLATE PER MIL-G-45204
ALL OTHER METAL PARTS-KINGS TARNISH RESISTANT NICKEL FINISH (TR-5)
3. ELECTRICAL CHARACTERISTICS:
NOMINAL IMPEDANCE-50 OHMS
WORKING VOLTAGE-500 VRMS
FREQUENCY RANGE-DC TO 4 GHZ

UNLESS OTHERWISE SPECIFIED

- | | | |
|--|--|---|
| 1. TOLERANCES: FRACTIONS & 2 PLACE DECIMALS ± .010 | 2. REMOVE ALL BURRS, BREAK SHARP EDGES .005 MAX. | 7. ALL LEAD THREADS TO BE CHAMFERED 45° TO ROOT DIAMETER. |
| 3 PLACE DECIMALS ± .004 | 3. NO FILLETS PERMITTED. | |
| ANGLES ± 0° 30' | 4. SURFACE ROUGHNESS 63 MICRONS RMS MAX. | |
| T.I.R. CONCENTRICITY OF ANY 2 DIAMETERS MAY NOT EXCEED HALF THE SUM OF THEIR TOLERANCES. | 5. ALL DIMENSIONS PRIOR TO PLATING. | |
| | 6. ALL PLATING IN ACCORDANCE WITH KER 10004. | |

| | |
|---|---------------|
| SCALE 4:1 | |
| APPROX SURFACE AREA | |
| USED ON | |
| REF: | |
| BNC (F-F) BULKHEAD ADAPTER ISOLATED GROUND | |
| DRAWN KH | DATE 06/14/90 |
| DESIGN MJB | DATE 06/19/90 |
| APPR. | DATE |
| ROCK HILL, SOUTH CAROLINA 29730 | |

KC-99-135-M06