

# HSF

## TECHNICAL SPECS:

Current Rating: 3.0AMP  
 Contact Resistance: 10mΩ Max  
 Dielectric Strength: Min 1000V<sub>RMS</sub>  
 Mechanical Life: Min 500 cycles  
 Mating Pin:  $\phi 0.7$  to  $\phi 0.9$ mm or 0.635SQ  
 Forces: (polished steel gauge  $\phi 0.76$ mm)  
 Insertion: 150g Max/Pin, Withdrawal: 30g Min/Pin  
 Operation Temperature:  $-40^{\circ}\text{C}$  to  $+105^{\circ}\text{C}$

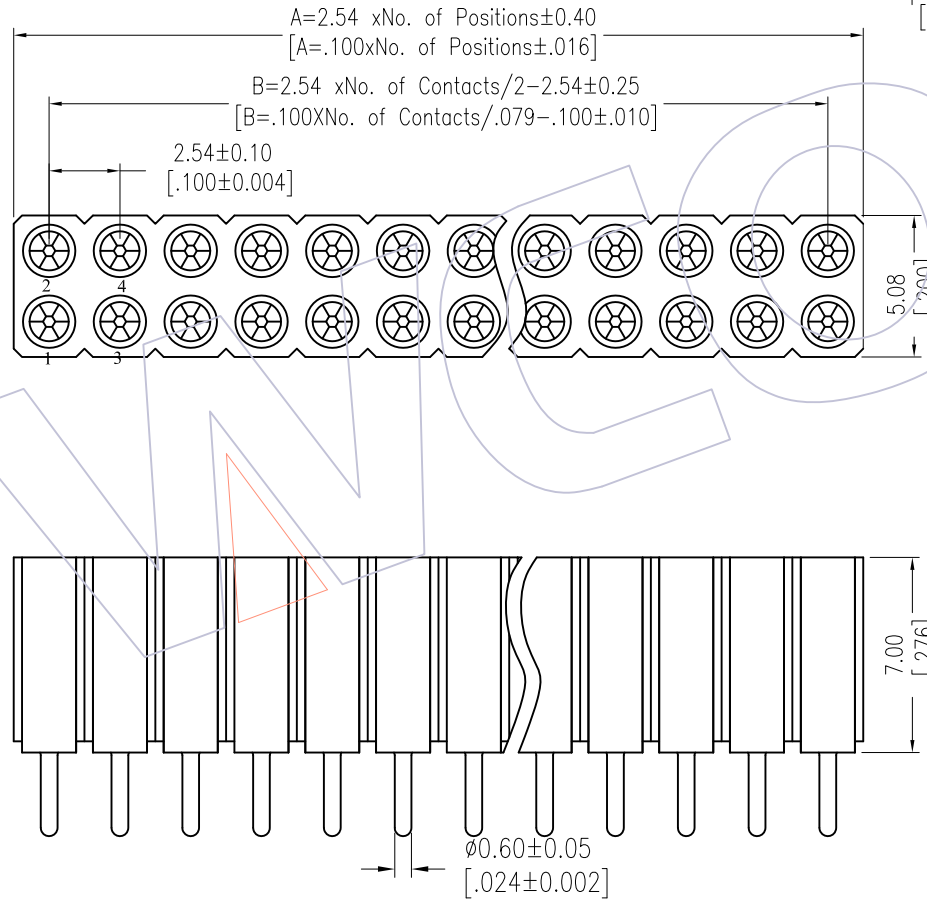
Sleeve: Brass CuZn36Pb3(C36000)  
 Contact Clip(6 finger): BeCu(C17200)  
 Insulator Material: PPS+30%G.F(UL94V-0)

## Ordering Information

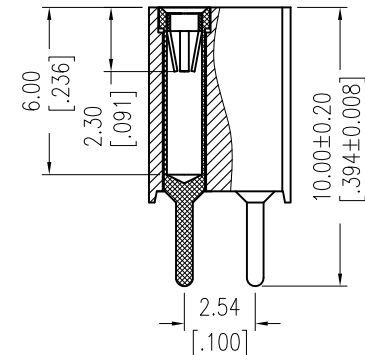
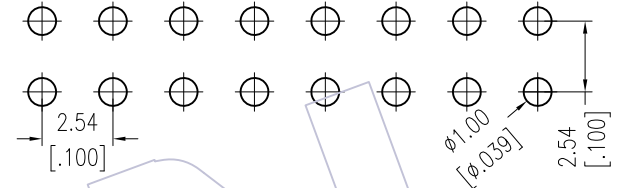
3521-702 XX S XX 100 X 1

No. of Pin: 2~40PIN  
 Contact Plating:  
 S0=Gold Flash/Tin  
 S3=10u"Gold/Tin  
 S4=15u"Gold/Tin  
 S5=30u"Gold/Tin  
 SN=Tin  
 Packing:  
 A=Tray  
 T=Tube

Item	Pitch	Mating
Standard	2.54	3511
Alternate		



Recommended P.C.B Layout(Top Side)  
 (PCB BOARD TOLERANCE  $\pm 0.05$ )



REV	DATE	MODIFICATION DESCRIPTION	CHANGE	OPERATION	DRAW	DATE	SCALE	FIT	PART NO.
A2	2018/03/07	Modify	$\Delta$	x.x $\pm 0.40$	Ding	2018/03/07	UNIT	mm	3521-702XXSXX100X1
A1	2017/04/27	Modify	$\Delta$	x.xx $\pm 0.25$	CHECK	DATE	SIZE	A4	TITLE: 2.54mm MACHINED FEMALE HEADER DUAL ROW 180° H=7.00 L=10.0
AO	2012/10/18	NEW	-----	x.xxx $\pm 0.15$	APPROVE	DATE	SHEET	1/1	Customer NO.
				Angle $\pm 3'$			PROJ.	$\phi$	
				DIM TOL					

# WCON

Http: www.wcon.com

WCON-Dongguan  
 Tel: +86 769 85358920  
 Fax: +86 769 85358915  
 E-mail: sales@wcon.com

WCON-Kunshan  
 Tel: +86 512 57468408  
 Fax: +86 512 57468468  
 E-mail: salesks@wcon.com