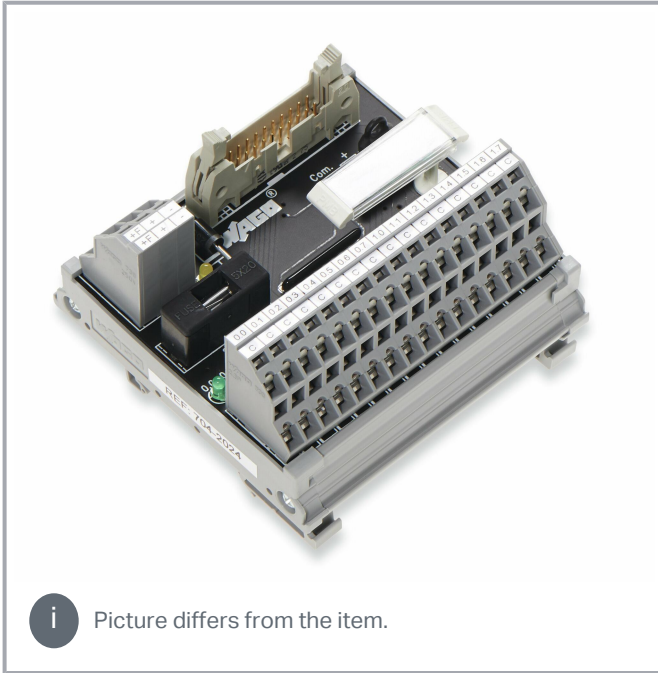


## Data sheet | Item number: 704-3004

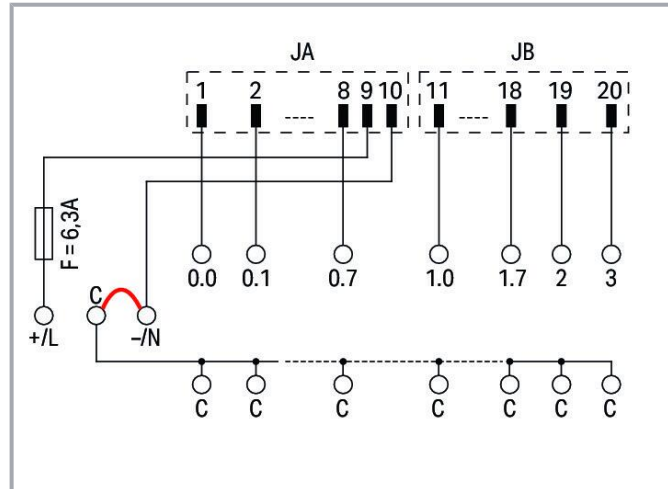
Interface module for system wiring; for 232 Series Pluggable Connectors; 2 x 10-pole; 16-channel digital input or output; 2-wire connection; Double-deck PCB terminal blocks; for higher voltages; in mounting carrier



[www.wago.com/704-3004](http://www.wago.com/704-3004)



 Picture differs from the item.



## Data

### Electrical data

Inputs/outputs	16-channel relay output
Circuit type	2-wire connection
Nominal operating voltage	AC 230 V
Operating voltage range	±10 %
Total current	8 A
Limiting continuous current	3 A
Internal fuse	6.3 A

### Safety and protection

Rated voltage	250 V
Rated surge voltage	2 kV

Subject to changes. Please also observe the further product documentation!

WAGO GmbH & Co. KG  
Hansastr. 27  
32423 Minden  
Phone: +49571 887-0 | Fax: +49571 887-169  
Email: [info.de@wago.com](mailto:info.de@wago.com) | Web: [www.wago.com](http://www.wago.com)

Do you have any questions about our products?  
We are always happy to take your call at +49 (571) 887-44222.



## Connection data

Compatible PLC Modules

Siemens S7-300  
Siemens S7-400  
Siemens S7-1500  
GE Fanuc 9030  
Schneider TSX  
Schneider Modicon M340  
Schneider Modicon Quantum  
Rockwell Compact Logix  
Rockwell Control Logix

Compatible PLC I/O Card Types

6ES7 321-1CH00-0AA0  
6ES7 321-1CH20-0AA0  
6ES7 321-1CH80-0AA0  
6ES7 321-1EL00-0AA0  
6ES7 321-1FH00-0AA0  
6ES7 322-1FL00-0AA0  
6ES7 322-1FH00-0AA0  
6ES7 322-1HF10-0AA0  
6ES7 322-1HH01-0AA0  
6ES7 322-5GH00-0AB0  
6ES7 521-1FH00-0AA0  
6ES7 521-7EH00-0AB0  
6ES7 522-5EH00-0AB0  
6ES7 522-5FF00-0AB0  
6ES7 522-5FH00-0AB0  
6ES7 522-5HF00-0AB0  
6ES7 522-5HH00-0AB0  
6ES7 422-1HH00-0AA0  
IC693 MDL240  
IC693 MDL310  
IC693 MDL340  
IC693 MDL390  
IC693 MDL734  
TSX DEY 16A2  
TSX DEY 16A3  
TSX DEY 16A4  
TSX DEY 16A5  
TSX DEY 16D3  
TSX DSY 08R4  
TSX DSY 08R5  
TSX DSY 08R5A  
TSX DSY 16R5  
TSX DSY 16S4  
TSX DSY 16S5  
140 DAI 340 00  
140 DAI 353 00

Subject to changes. Please also observe the further product documentation!

WAGO GmbH & Co. KG

Hansastr. 27

32423 Minden

Phone: +49571 887-0 | Fax: +49571 887-169

Email: [info.de@wago.com](mailto:info.de@wago.com) | Web: [www.wago.com](http://www.wago.com)

Do you have any questions about our products?

We are always happy to take your call at +49 (571) 887-44222.



140 DAI 440 00  
 140 DAI 453 00  
 140 DAI 540 00  
 140 DAI 543 00  
 140 DAI 553 00  
 140 DAI 740 00  
 140 DAI 753 00  
 140 DAO 840 00  
 140 DAO 840 10  
 140 DRA 840 00  
 BMX DAI 1602  
 BMX DAI 1603  
 BMX DAI 1604  
 BMX DDI 1603  
 BMX DAO 1605  
 BMX DRA 0805  
 BMX DRA 1605  
 1769 - IA16  
 1769 - IM12  
 1769 - OA16  
 1769 - OW8I  
 1769 - OW16  
 1769 - IQ6XOW4  
 1756 - IA16I  
 1756 - IH16I  
 1756 - IH16ISOE  
 1756 - IM16I  
 1756 - OA16I  
 1756 - OH8I  
 1756 - OW16I  
 1756 - OX8I

Pole No.	20
Connection type (1)	System
Design	PCB terminal blocks
Pluggable connectors	WAGO 231 Series
Mating direction	vertical
WAGO Connector	WAGO 232 Series
Solid conductor	0.08 ... 2.5 mm <sup>2</sup> / 28 ... 12 AWG
Fine-stranded conductor	0.08 ... 2.5 mm <sup>2</sup> / 28 ... 12 AWG
Strip length	8 ... 9 mm / 0.31 ... 0.35 inch
Connection type 2	Field
Pole number 2	32
Design 2	PCB terminal blocks (double-deck)
WAGO Connector 2	WAGO 736 Series

Subject to changes. Please also observe the further product documentation!

WAGO GmbH & Co. KG  
 Hansastr. 27  
 32423 Minden  
 Phone: +49571 887-0 | Fax: +49571 887-169  
 Email: [info.de@wago.com](mailto:info.de@wago.com) | Web: [www.wago.com](http://www.wago.com)

Do you have any questions about our products?  
 We are always happy to take your call at +49 (571) 887-44222.



Solid conductor 2	0.08 ... 2.5 mm <sup>2</sup> / 28 ... 12 AWG
Fine-stranded conductor 2	0.08 ... 2.5 mm <sup>2</sup> / 28 ... 12 AWG
Strip length 2	5 ... 6 mm / 0.2 ... 0.24 inch
Connection type (3)	Supply
Pole number 3	3
Design 3	PCB terminal blocks
WAGO Connector 3	WAGO 742 Series
Solid conductor 3	0.08 ... 2.5 mm <sup>2</sup> / 28 ... 12 AWG
Fine-stranded conductor (3)	0.08 ... 2.5 mm <sup>2</sup> / 28 ... 12 AWG
Strip length 3	8 ... 9 mm / 0.31 ... 0.35 inch
Note (conductor cross-section)	12 AWG: THHN, THWN

### Physical data

Width	111 mm / 4.37 inch
Height	85 mm / 3.346 inch
Depth from upper edge of DIN-rail	56 mm / 2.204 inch

### Mechanical data

Mounting type	DIN-35 rail
---------------	-------------

### Material data

Fire load	2.442 MJ
Weight	170 g

### Environmental requirements

Surrounding air temperature (operation)	-20 ... 50 °C
Surrounding air temperature (storage)	-40 ... 70 °C
Relative humidity	85% (non-condensing)

### Commercial data

Product Group	30 ()
PU (SPU)	1 Stück
Packaging type	box
Country of origin	FR
GTIN	4050821220541
Customs tariff number	85369010000

Subject to changes. Please also observe the further product documentation!

WAGO GmbH & Co. KG  
 Hansastr. 27  
 32423 Minden  
 Phone: +49571 887-0 | Fax: +49571 887-169  
 Email: [info.de@wago.com](mailto:info.de@wago.com) | Web: [www.wago.com](http://www.wago.com)

Do you have any questions about our products?  
 We are always happy to take your call at +49 (571) 887-44222.



## Downloads

### Documentation

#### System Description

WAGO System Wiring, Selection Guide

pdf  
545.9 kB

[Download](#)

This guide will help you select the appropriate interface modules and system cables for the controller you are using.

---

## Environmental Product Compliance

### Compliance Search

Environmental Product Compliance 704-3004

[URL](#)

[Download](#)

Interface module for system wiring; for 232 Series Pluggable Connectors; 2 x 10-pole; 16-channel digital input or output; 2-wire connection; Double-deck PCB terminal blocks; for higher voltages; in mounting carrier

---

## Installation Notes

Subject to changes. Please also observe the further product documentation!

---

WAGO GmbH & Co. KG

Hansastr. 27

32423 Minden

Phone: +49571 887-0 | Fax: +49571 887-169

Email: [info.de@wago.com](mailto:info.de@wago.com) | Web: [www.wago.com](http://www.wago.com)

Do you have any questions about our products?

We are always happy to take your call at +49 (571) 887-44222.