

**PLEASE CHECK WWW.MOLEX.COM FOR LATEST PART INFORMATION**

**Part Number:** **0503988100**  
**Status:** **Active**  
**Description:** 2.50mm (.098") Pitch Wire-to-Wire Crimp Terminal, Male, 50398, Bag, for 51112 Housing

**Documents:**

[3D Model](#) [Product Specification PS-51111-001 \(PDF\)](#)  
[Drawing \(PDF\)](#) [RoHS Certificate of Compliance \(PDF\)](#)

**General**

Product Family	Crimp Terminals
Series	<u>50398</u>
Crimp Quality Equipment	Yes
Product Name	N/A

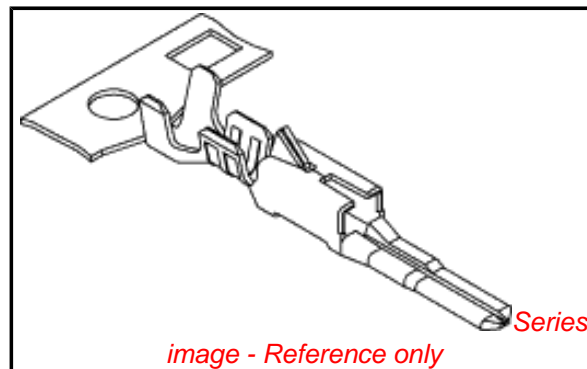
**Physical**

Gender	Male
Material - Metal	Phosphor Bronze
Material - Plating Mating	Tin
Material - Plating Termination	Tin
Packaging Type	Bag
Plating min: Mating (µin)	36
Plating min: Mating (µm)	0.90
Plating min: Termination (µin)	36
Plating min: Termination (µm)	0.90
Termination Interface: Style	Crimp or Compression
Wire Insulation Diameter	1.15-1.80mm (.045-.071")
Wire Size AWG	22, 24, 26, 28
Wire Size mm <sup>2</sup>	N/A

**Material Info**

**Reference - Drawing Numbers**

Product Specification	PS-51111-001, RPS-500592-001, RPS-500592-002, RPS-500592-003, RPS-51111-004, RPS-51112-003
Sales Drawing	SD-50398-001



**EU RoHS**

**ELV and RoHS Compliant**  
**REACH SVHC**  
**Contains SVHC: No**  
**Halogen-Free Status**  
**Halogen-Free**

**China RoHS**



**Need more information on product environmental compliance?**

Email [productcompliance@molex.com](mailto:productcompliance@molex.com)  
 For a multiple part number RoHS Certificate of Compliance, [click here](#)

Please visit the [Contact Us](#) section for any non-product compliance questions.

**Search Parts in this Series**

[50398Series](#)

**Mates With**

[50397](#)

**Use With**

[51112](#)

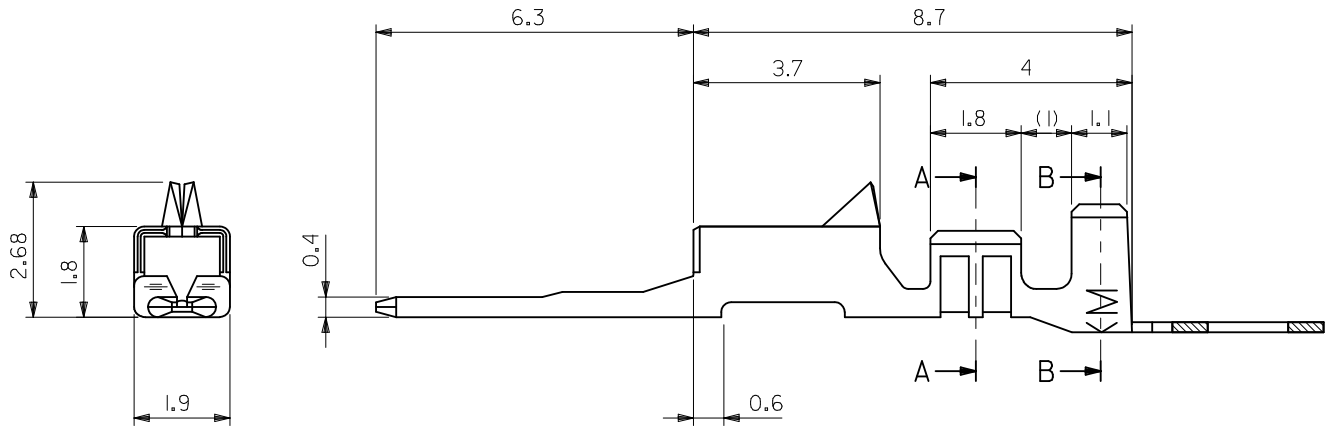
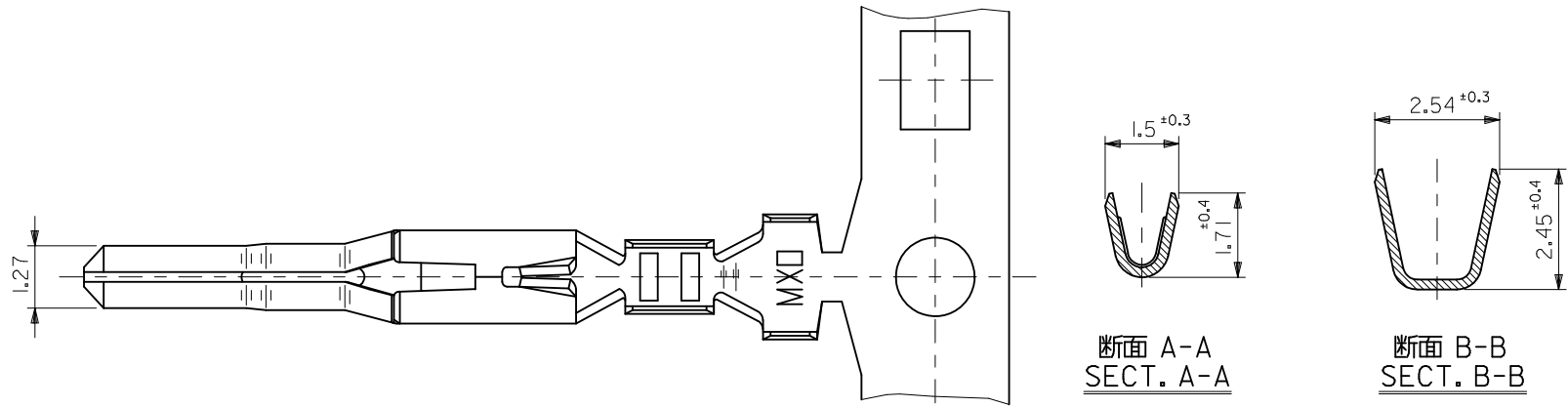
**Application Tooling | [FAQ](#)**

*Tooling specifications and manuals are found by selecting the products below. Crimp Height Specifications are then contained in the Application Tooling Specification document.*

**Japan**

Description	Product #
Hand Crimp Tool	<a href="#">0573165000</a>
Hand Extraction Tool	<a href="#">0573166000</a>
Extraction Tool	<a href="#">0573166100</a>

**PLEASE CHECK [WWW.MOLEX.COM](http://WWW.MOLEX.COM) FOR LATEST PART INFORMATION**



注記  
NOTES

- 適合ハウジング : 51112シリーズ  
APPLICABLE HOUSING : 51112 SERIES
- 材料 MATERIAL  
りん青銅 (t = 0.2)  
PHOSPHOR BRONZE  
錫メッキ 0.9 μm 以上 リフロー処理 (前めっき)  
TIN 0.9 μm MIN. REFLOW TREATMENT (PRE-PLATED)
- 適用電線サイズ AWG #22-28  
被覆外径 : 1.15~1.8mm
- ELV及びRoHS適合品  
ELV AND RoHS COMPLIANT

PLASTIC BAG	50398-8100	バラ状 LOOSE
REEL	50398-8000	連鎖状 CHAIN
PACKAGING SPEC.	オーダー番号 ORDER NO.	形態 FORM
CONNECTOR SERIES NO. 50398-8*00		

RELEASED EC NO: J2010-1818 DRWN: NYOSHIKAWA 2010/03/10 CHKD: KASAKAWA 2010/03/10 APPR: NUKITA 2010/03/11 REV: 0	DESCRIPTION GENERAL TOLERANCES (UNLESS SPECIFIED) 10 UNDER ± 0.2 10 OVER 30 UNDER ± 0.25 30 OVER ± 0.3 ANGULAR ± 3 ° DRAFT WHERE APPLICABLE MUST REMAIN WITHIN DIMENSIONS	DIMENSION STYLE MM ONLY	SCALE 10:1	DESIGN UNITS METRIC	THIRD ANGLE PROJECTION		
		DRAWN BY NYOSHIKAWA	DATE 2010/03/10	TITLE 2.5 WIRE TO WIRE CONN. CRIMP PIN			
		CHECKED BY KASAKAWA	DATE 2010/03/10	MOLEX INCORPORATED			
		APPROVED BY NUKITA	DATE 2010/03/10	MATERIAL NO. SEE TABLE	DOCUMENT NO. SD-50398-001	SHEET NO. 1 OF 1	