

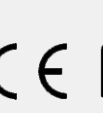


TGAP-W610+ series

**Industrial EN50155 IEEE 802.11 a/b/g/n AP
with 1x10/100/1000Base-T(X) PoE P.D., IP-67 grade**

Features

- **High Speed Air Connectivity:** RF in IEEE 802.11 a/b/g/n WLAN interface support up to 300Mbps link speed
- Highly Security Capability: WEP/WPA/WPA-PSK(TKIP,AES)/WPA2/WPA2-PSK(TKIP,AES)/802.1X Authentication supported
- Support **Long Distance Air Connectivity**
- Support **Multiple-SSID to 4 SSID**
- Support X-Roaming < 60 ms
- Support wireless load balance
- Support external N-Type antenna installation
- Support **AP/ Client /Bridge /AP-Client Mode**
- Support **MAC/IP/Port Filter**
- Wireless connecting status monitoring
- Secured Management by HTTPS
- 1KV isolation for PoE P.D.
- Event Warning by Syslog, Email, SNMP Trap, and Relay output
- Rigid IP-67 waterproof housing design



Introduction

TGAP-W610+ is a reliable outdoor wireless Access Point with IEEE 802.11 a/b/g/n wireless modules and 1 Ethernet Gigabit port with PoE P.D.. It can be configured to operate in AP/ Client /Bridge /AP-Client Mode and supports MAC filters for security control. TGAP-W610+ provides a dust-tight connection and four N-Type connectors that can install any N-Type antennas to extend communication distance. It is specifically designed for the toughest industrial environments. You are able to configure TGAP-W610+ by WEB interface via LAN port or WLAN interface. In addition, TGAP-W610+ also provides P.D. feature that is fully compliant with IEEE802.3af PoE P.D. specification to save the layout cost of power line. TGAP-W610+ can be easily adopted in almost all kinds of applications and provides the most rugged solutions for managing your network in outdoor. Therefore, TGAP-W610+ is one of the best communication solutions for wireless applications

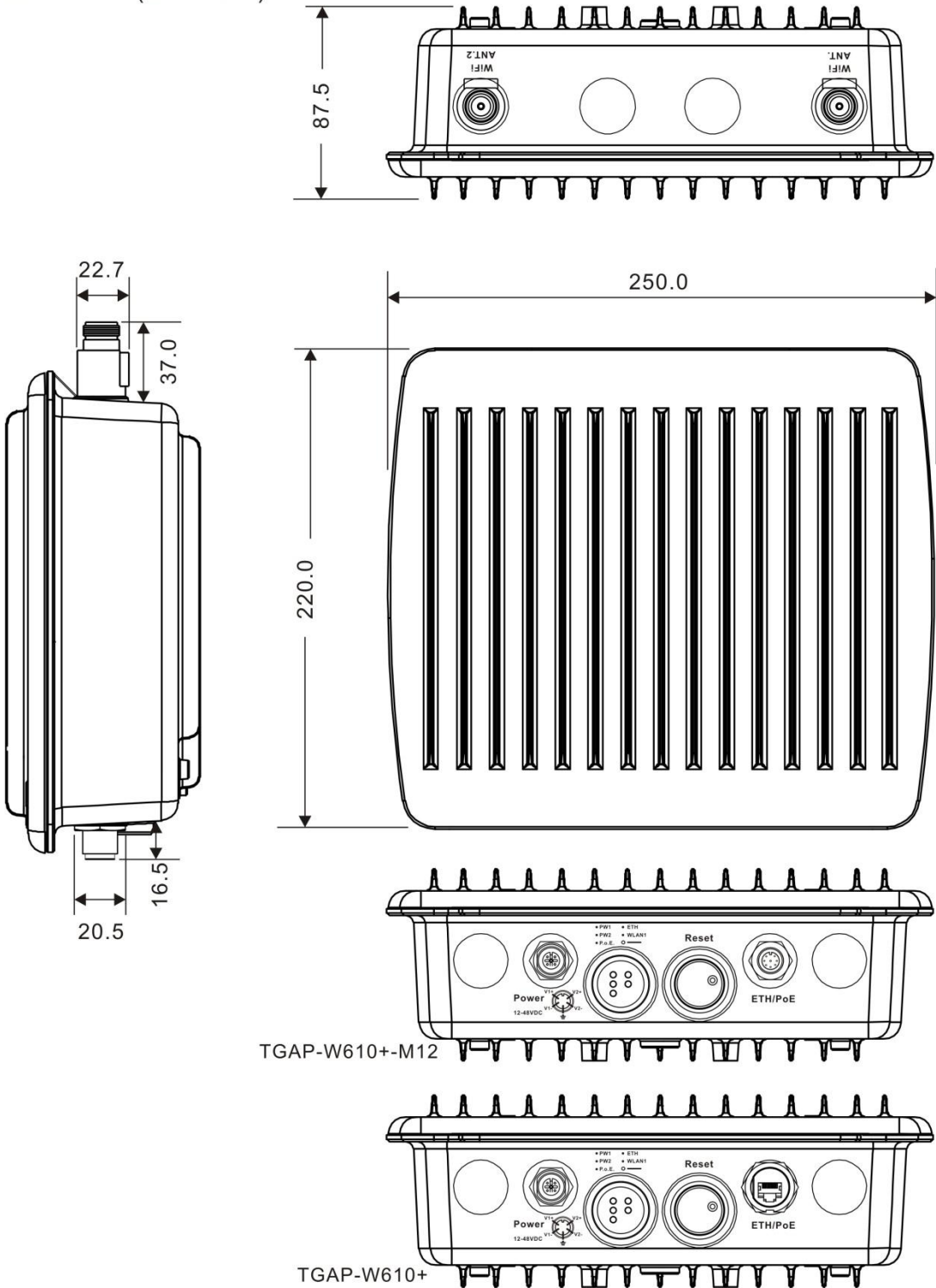
Application

In practical operation of wireless access point, Windows utility (Open-Version) is supported. This utility is very helpful for you to search and configure IP of access point on the industrial network.

In addition, the wireless access point support various kinds of operation modes include AP/Dual Client /Bridge /AP-Client Mode.

Dimension

Dimension (Unit =mm)



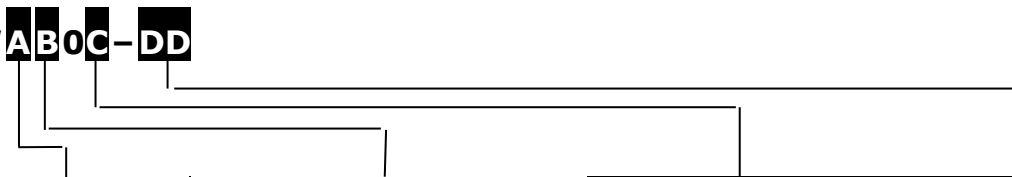
Specifications

ORing WLAN Access Point Model	TGAP-W610+	TGAP-W610+-M12
Physical Ports		
10/100/1000Base-T(X) Port Auto MDI/MDIX	1 (RJ45)	1 (M12 8-pin A-coding)
PoE P.D. port	Present at ETH Fully compliant with IEEE 802.3af Power Device specification Over load & short circuit protection Isolation Voltage: 1000 VDC min. Isolation Resistance : 10 ⁸ ohms min	
WLAN interface		
Operating Mode	P/Dual Client /Bridge /AP-Client Mode	
Antenna Connector	2 x External N-Type female antenna connector	
Radio Frequency Type	DSSS, OFDM	
Modulation	IEEE802.11a : OFDM with BPSK, QPSK, QAM, 64QAM IEEE802.11b: CCK, DQPSK, DBPSK IEEE802.11g: OFDM with BPSK, QPSK, 16QAM, 64QAM IEEE802.11n : BPSK, QPSK, 16-QAM, 64-QAM	
Frequency Band	America / FCC : 2.412~2.462 GHz (11 channels) 5.180~5.240 GHz & 5.745~5.825 GHz (9 channels) Europe CE / ETSI : 2.412~2.472 Ghz (13 channels) 5.180~5.240 GHz (4 channels)	
Transmission Rate	IEEE802.11b: 1 / 2 / 5.5 / 11 Mbps IEEE802.11a/g: 6 / 9 / 12 / 18 / 24 / 36 / 48 / 54 Mbps IEEE801.11n: up to 300Mbps	
Transmit Power	802.11a: 12dBm ± 1.5dBm@54Mbps 802.11b: 17dBm ± 1.5dBm@11Mbps 802.11g: 16dBm ± 1.5dBm@54Mbps 802.11gn HT20: 15dBm ± 1.5dBm @MCS7 802.11gn HT40: 14dBm ± 1.5dBm @MCS7 802.11an HT20: 12dBm ± 1.5dBm @MCS7 802.11an HT40: 11dBm ± 1.5dBm @MCS7	
Receiver Sensitivity	802.11a : -76dBm ± 2dBm@54Mbps 802.11b : -85dBm ± 2dBm@11Mbps 802.11g : -76dBm ± 2dBm@54Mbps 802.11gn HT20:-75dBm ± 2dBm@MCS7 802.11gn HT40:-72dBm ± 2dBm@MCS7 802.11an HT20:-74dBm ± 2dBm@MCS7 802.11an HT40:-71dBm ± 2dBm@MCS7	
Encryption Security	WEP: (64-bit ,128-bit key supported) WPA/WPA2 :802.11i(WEP and AES encryption) WPAPSK (256-bit key pre-shared key supported) 802.1X Authentication supported TKIP encryption	
Wireless Security	SSID broadcast disable and enable	
Protocol Support		
Protocol	ARP,BOOTP, DHCP, DNS, HTTP, IP, ICMP, SNTP, TCP, UDP, RADIUS, SNMP, STP, RSTP,	
LED indicators		
Power indicator	3 x LEDs, PW1/PW2/PoE Green On : Power is on	
10/100/1000Base-T(X) indicator	1 x LEDs, Green for port Link/Act	
WLAN LED	1 x LEDs, Green for WLAN Link /Act	
Power		
Input power	Dual Power Inputs. 12~48 VDC	
Power consumption (Typ.)	9Watt	
Physical Characteristic		
Enclosure	IP-67	
Dimension (W x D x H)	310 (W) x 310(D) x 87 (H) (12.2 x 12.2 x 3.4 inch)	
Weight (g)	3900g	

Environmental	
Storage Temperature	-40 to 85°C (-40 to 185°F)
Operating Temperature	-25 to 70°C (-13 to 158°F)
Operating Humidity	5 to 95% Non-condensing
Regulatory approvals	
EMI	FCC Part 15, CISPR (EN55022) class A, EN50155 (EN50121-3-2)
EMS	EN61000-4-2 (ESD), EN61000-4-3 (RS), EN61000-4-4 (EFT), EN61000-4-5 (Surge), EN61000-4-6 (CS), EN61000-4-8, EN61000-4-11
Shock	IEC60068-2-27, EN61373
Free Fall	IEC60068-2-32
Vibration	IEC60068-2-6, EN61373
Rail Traffic	EN50155
Cooling	EN60068-2-1
Dry Heat	En60068-2-2
Safety	EN60950-1
Warranty	5 years

Ordering Information

TGAP-WA BOC-DD



Code Definition	Wireless-1 Mode	10/100/1000 Base-T(X) Port Number	PoE Identification	Connector Type
Option	<ul style="list-style-type: none"> - 1: 802.11 b/g - 2: 802.11 a - 3: 802.11 a/b/g - 4: 802.11 b/g/n - 5: 802.11 a/n - 6: 802.11 a/b/g/n 	-"1": 1 ports	+ : PoE P.D.	<ul style="list-style-type: none"> None:RJ45 M12:M12 connector

	Model Name	Description
Available Model	TGAP-W610+_US	Industrial EN50155 IEEE 802.11 a/b/g/n wireless access point with 1x10/100/1000Base-T(X), PoE P.D., IP-67 grade, US band
	TGAP-W610+_EU	Industrial EN50155 IEEE 802.11 a/b/g/n wireless access point with 1x10/100/1000Base-T(X), PoE P.D., IP-67 grade, EU band
	TGAP-W610+-M12_US	Industrial EN50155 IEEE 802.11 a/b/g/n wireless access point with 1x10/100/1000Base-T(X), PoE P.D., M12 connector, IP-67 grade, US band
	TGAP-W610+-M12_EU	Industrial EN50155 IEEE 802.11 a/b/g/n wireless access point with 1x10/100/1000Base-T(X), PoE P.D., M12 connector, IP-67 grade, EU band

Packing List

- **TGAP-W610+ x 1**
- **Wall Mount Kit x 1**
- **CD x 1**
- **2.4GHz/5GHz Antenna x 2**
- **Quick Installation Guide x 1**
- **Cable Gland x 1(TGAP-W610+)**

Optional Accessories

- **DR-45 series : 45 Watts power supply**
- **DR-120 series : 120 Watts power supply**
- **RF Antenna Base series**
- **DR-75 series : 75 Watts power supply**
- **WLAN RF Antenna series**
- **RF Cable series**