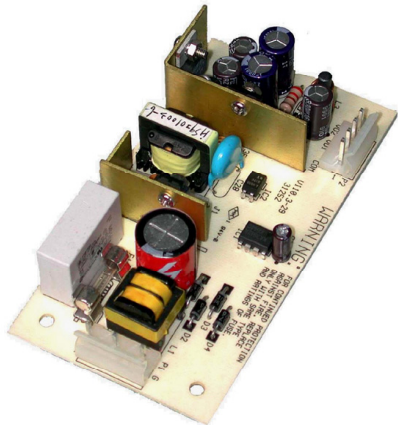


# HiTRON

## UNIVERSAL INPUT AC-DC PCB OPEN FRAME DUAL OUTPUT 10.5 WATTS INTERNAL SWITCHING POWER SUPPLIES HVI10.5 SERIES



### FEATURES:

- ACCOMMODATE UNIVERSAL AC SOURCES
- COMPACT PCB OPEN FRAME FORMAT
- MEET UNIVERSAL SAFETY STANDARDS
- EMI MEET CISPR PUB. 22 & FCC CLASS B
- CE MARKING COMPLIANCE

### SPECIFICATION

#### INPUT SPECIFICATION

**Input Voltage:** Range Typ. 90-264Vac.  
Rating 100 to 240Vac.  
**Input Connector:** Molex # 5273.  
**Input Frequency:** 47-63Hz.  
**Inrush Current:** Typ.  $\leq 30.6A$  @230Vac.  
**Input Current:** Typ. 0.3A @115Vac, 0.15A @ 230Vac.  
**Dielectric Withstand:** Meet IEC950.  
**EMI:** Meet CISPR PUB. 22 & FCC Class B.  
**Hold-up Time:** Typ. 10mS @115Vac, 40mS @230Vac.  
**Earth leakage:** Typ. 0.253mA @230Vac.  
**Overload Protection (OLP):** Fully protected against output overload and short circuit.  
Consult the factory for OLP setting.

#### OUTPUT SPECIFICATION

**Output Voltage:** See Ratings Chart.  
**Output Current:** See Ratings Chart.  
**Output Wattage:** Typ. 10.5 watts.  
**Output Connector:** Molex # 5273.  
**Line Regulation:** Typ. 0.1%.  
**Load Regulation:** Main VO1 typ.  $\pm 1-2\%$ .  
Aux. VO2 typ.  $\pm 2-3\%$  (P.R.).  
or  $\pm 3-5\%$  (stacked-on).  
**Noise & Ripple:** Typ. 1.0% peak to peak.  
**OVP:** Built-in at main output VO1 (Zener diode).  
**Adjustability:** Available at main output VO1.

#### GENERAL SPECIFICATION

**Efficiency:** Typ. 70-75%.  
**Switching Frequency:** Typ. 40K Hz.  
**Circuit Topology:** Fixed frequency flyback circuit.  
**Transient Response:** Output voltage returns in less than 3mS following a 25% load change.  
**Safety Standard:** IEC950/UL1950 Class II.

**Operating Temperature:** 0 to +50°C.  
**Storage Temperature:** -20 to +85°C.  
**Temperature Coefficient:** Typ. 0.04%/°C.  
**Cooling:** Free air convection.  
**Construction:** PCB open frame format.  
**Power Density:** 1.10Watts / Cubic Inch.



In application

# OUTPUT VOLTAGE/CURRENT RATINGS CHART

## DUAL OUTPUT

MODEL NO.	MAIN VO1 @★			AUX. ±VO2 ● or †		
	Typ.	Volt.	Max.	Typ.	Volt.	Max./Pk.
HVI10.5-D033E	2.5A	+3.3V	3.0A	0.5A	5.0V	1.0A/-
HVI10.5-D033I	2.5A	+3.3V	3.0A	0.2A	12.0V	1.0A/2.0A
HVI10.5-D033K	2.5A	+3.3V	3.0A	0.2A	15.0V	1.0A/2.0A
HVI10.5-D050I	1.8A	+5.0V	2.5A	0.2A	12.0V	1.0A/2.0A
HVI10.5-D050K	1.8A	+5.0V	2.5A	0.2A	15.0V	1.0A/2.0A

Symbol: "★" OVP built-in. "@@ Adjustable. "●" Installed with Post Regulator. "±" Factory set.

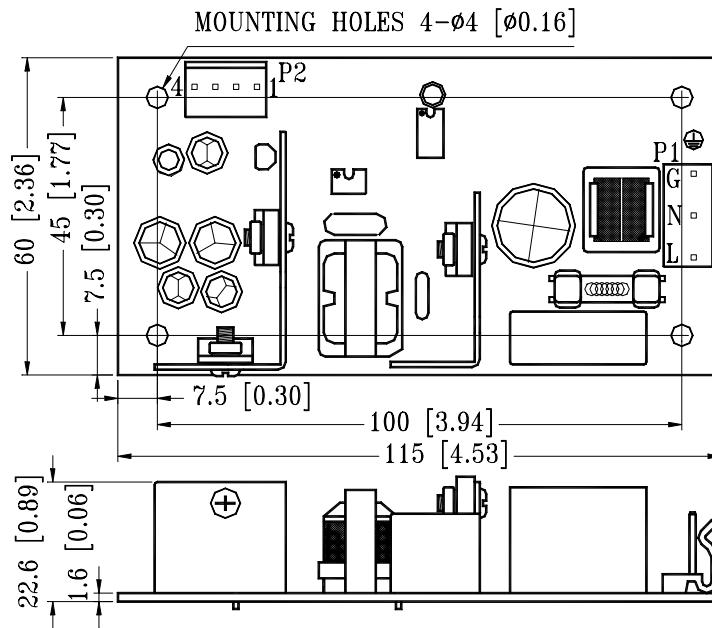
Remark: (1) At least 20% of typical main output current is required to maintain stated regulation.

(2) Peak output, less than 60 sec. with 10% duty cycle.

(3) Max. current can't be drawn from all output at the same time.

**MECHANICAL DIMENSIONS: MM [INCHES]**

**WEIGHT: 100.0 g (3.50 Oz.)**



## INPUT & OUTPUT CONNECTORS PIN ASSIGNMENT

ASSIGNMENT CONNECTOR & PIN #	AC INPUT			DUAL OUTPUT		
	AC-LINE	AC-NEUTRAL	AC-GROUND	VO1	VO2	DC COM
	P1-L	P1-N	P1-G	P2-2,3	P2-4	P2-1

Mating connector: P1,2 Molex # 5195 or 5239 series.