

6

5

4

3

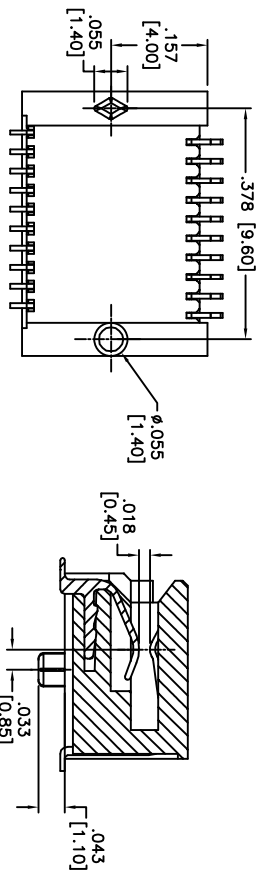
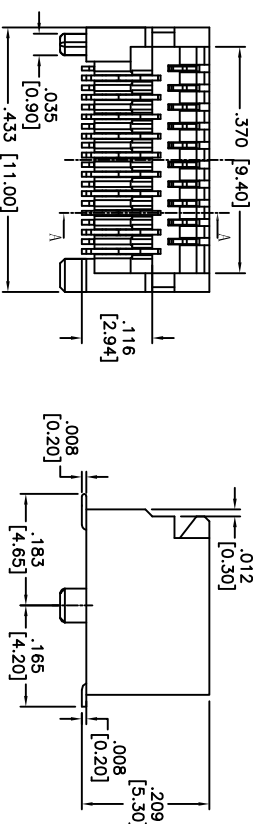
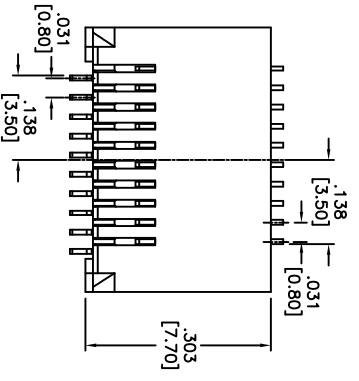
2

1

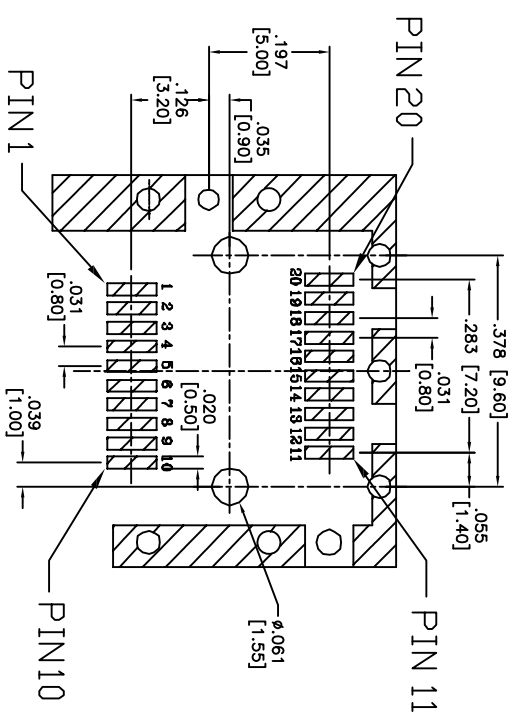
APPROVED: _____

DATE: _____ TITLE: _____

Rev	AWO #	Description	Date	Appr
-		RELEASED	6/21/12	
A		REDRAWN	10/24/13	AV/SS
B		REVISED SPEC.	4/10/14	AY/KW



SECTION A-A



RECOMMENDED PCB LAYOUT

SPECIFICATIONS:

- Material: Insulator: Hi-temp thermoplastic, rated UL 94V-0
- Insulator color: Black
- Contacts: Copper Alloy
- Plating: 15u" Gold over Nickel underplate on contact area, Tin over Nickel underplate on SMT tails
- Electrical: Contact resistance: 20 mohms max. initial Dielectric withstanding voltage: 300 VAC for 1 minute
- Temperature Rating: Operating temperature: -40°C to +85°C
- Environmental: Lead free, RoHS compliant

UNLESS OTHERWISE SPECIFIED
ALL DIMENSIONS ARE INCHES [MM]
TOLERANCES: EXCEPT AS NOTED

.X	± .10	Ø.X	± .10
.XX	± .020	Ø.XXX	± .015
.XXX	± .015	Ø.XXX	± .010

APPROVALS

APPROVALS	DATE
DRAWN AY	6/21/12
CHECKED CC	6/21/12
APPROVED	

ADAM TECH
909 Railway Avenue, Union, NJ 07083
Phone: 908-687-5000 Fax: 908-687-5710

TITLE: SMALL FORM FACTOR CONNECTOR, 20P
SMT TYPE, 15u" SEL GOLD PLATED

SIZE	PART NO.	REV.
X	SFF-20-SG-15	B
REF: S0005C	SCALE: NTS	SHEET 1 OF 1

6

5

4

3

2

1