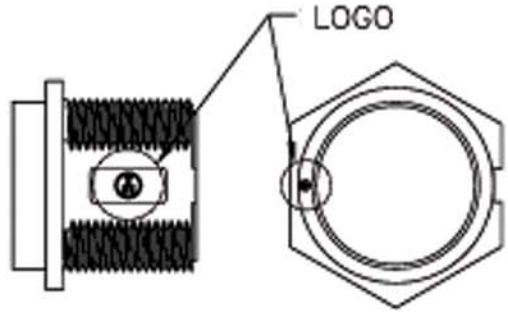


Recommended Panel Cut-Out



Notes:

- Connector: Black, ABS 94V-0
- USB: USB-A Female Solder
- Housing: JWT, 5 Pin, PH=2.5mm, Nylon66 UL94V-0
- Cable: USB 2.0
- 28AWG*1P+24AWG*2C+AL.My+D+B
- UV Resistant, Black, OD = 5.0mm



ITEM NO
A-USB-APFS-R

TITLE
Waterproof USB A Female, for Panel Mounting, 50mm

ASSMANN
Electronics, Inc.
1840 W. Drake Drive, Suite 101 - Tempe, AZ 85283
Toll Free: 1-877-277-6266 Email: info@usa-assmann.com

THIS DRAWING IS UNPUBLISHED
© Copyright 2008 by Assmann Electronic Components
All International Rights Reserved