

**PLEASE CHECK WWW.MOLEX.COM FOR LATEST PART INFORMATION**

**Part Number:** [73415-5032](#)  
**Status:** **Active**  
**Overview:** SMPM and SMP RF Connectors  
**Description:** 50 Ohms, SMP Jack Right-Angle for RG-174, RG-188 and RG-316 Cable, Small Tray

**Documents:**

[Drawing \(PDF\)](#) [RoHS Certificate of Compliance \(PDF\)](#)

**General**

Product Family	RF/Coax Connectors
Series	<a href="#">73415</a>
Overview	<a href="#">SMPM and SMP RF Connectors</a>
Product Name	SMP
Style	Cable
UPC	822350970129
Wire/Cable Type	RG-174, RG-188, RG-316

**Physical**

Gender	Jack
Keying to Mating Part	None
Net Weight	1.226/g
Orientation	Right Angle
PCB Mounting	N/A
Packaging Type	Tray
Panel Mount	No
Panel Mount Method	N/A
Reverse Polar	No

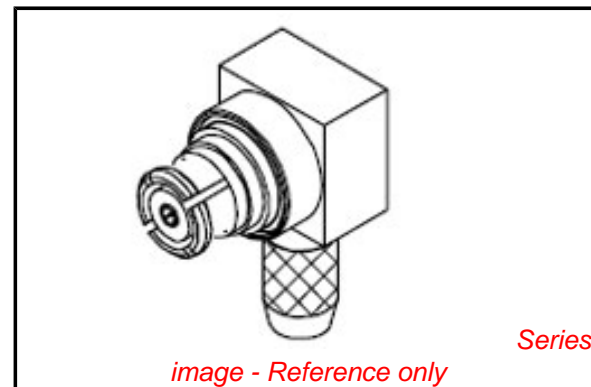
**Electrical**

Impedance	50#
-----------	-----

**Material Info**

**Reference - Drawing Numbers**

Sales Drawing	SD-73415-503
---------------	--------------



**EU RoHS**

**RoHS Compliant RF Product**

**REACH SVHC**

Not Reviewed

**Low-Halogen Status**

**Low-Halogen**

**China RoHS**



**Need more information on product environmental compliance?**

Email [productcompliance@molex.com](mailto:productcompliance@molex.com)  
 For a multiple part number RoHS Certificate of Compliance, [click here](#)

Please visit the [Contact Us](#) section for any non-product compliance questions.

**Search Parts in this Series**

73415Series