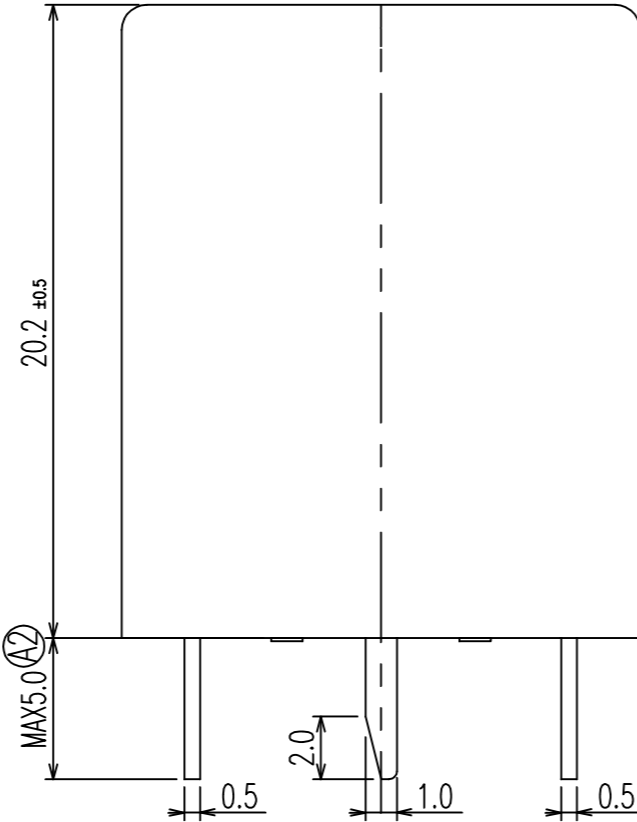
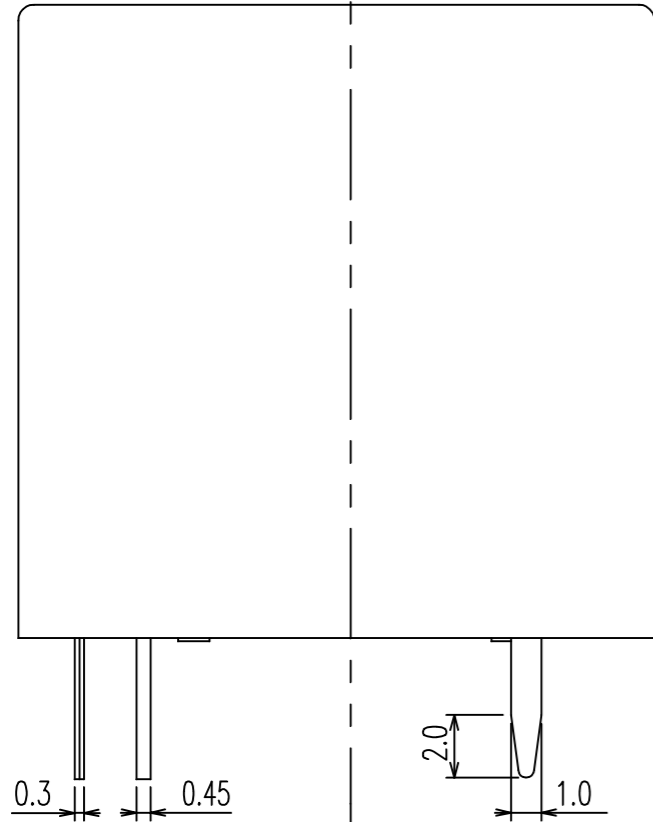


THIS DRAWING IS UNPUBLISHED. RELEASED FOR PUBLICATION  
 © COPYRIGHT BY TYCO ELECTRONICS CORPORATION. ALL RIGHTS RESERVED.

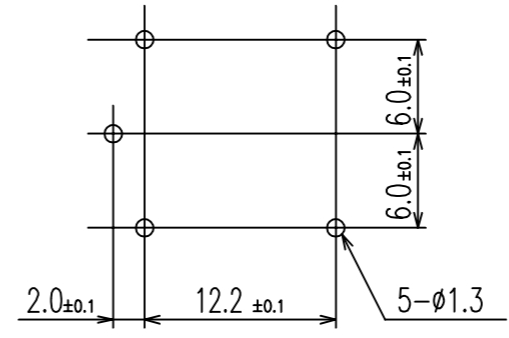
LOC	DIST	REVISIONS						
		P	LTR	DESCRIPTION	ECN	DATE	DWN	APVD
			A1	ADD NEW TYPE AND MODIFY MISTAKE	ECO-08-029446	14-NOV-08	Z,Z	BH,Y
			A2	DIMENSION CHANGE	ECO-10-004896	21-FEB-10	Z,Z	BH,Y
			A3	ADD NEW TYPE	ECO-10-009515	15-MAY-10	Z,Z	BH,Y

D

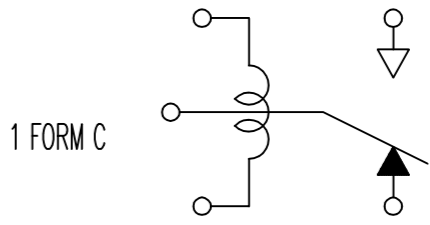
D



4. DRILLING DIAGRAM (BOTTOM VIEW)

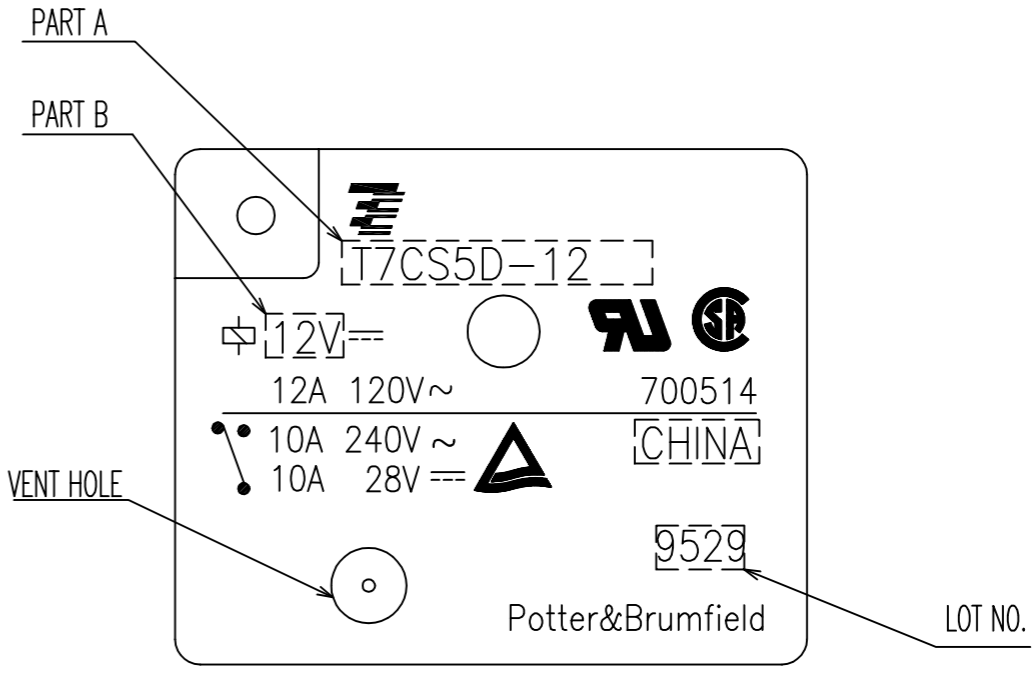
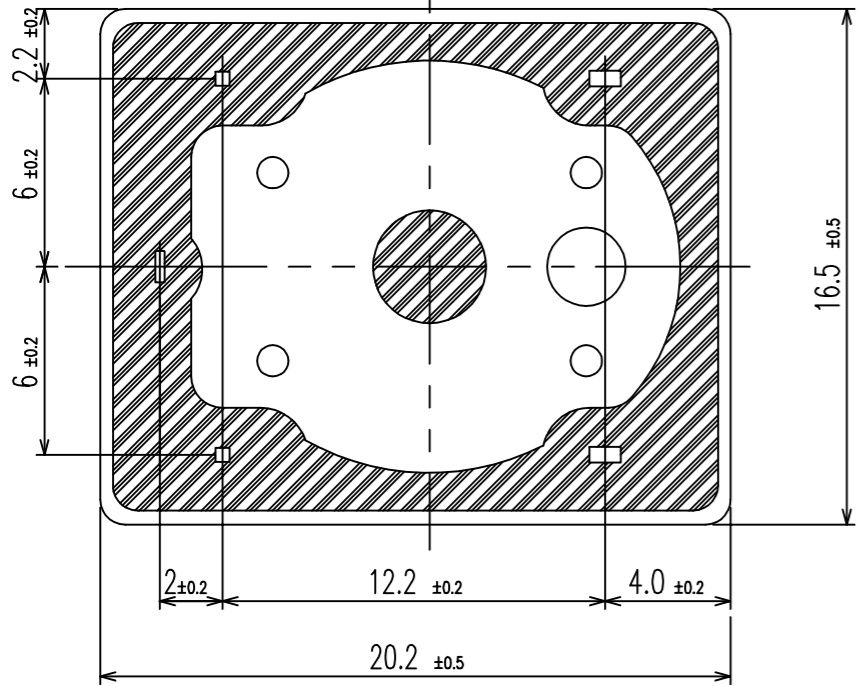


3. CONNECTION DIAGRAM (BOTTOM VIEW)



C

C



A

A

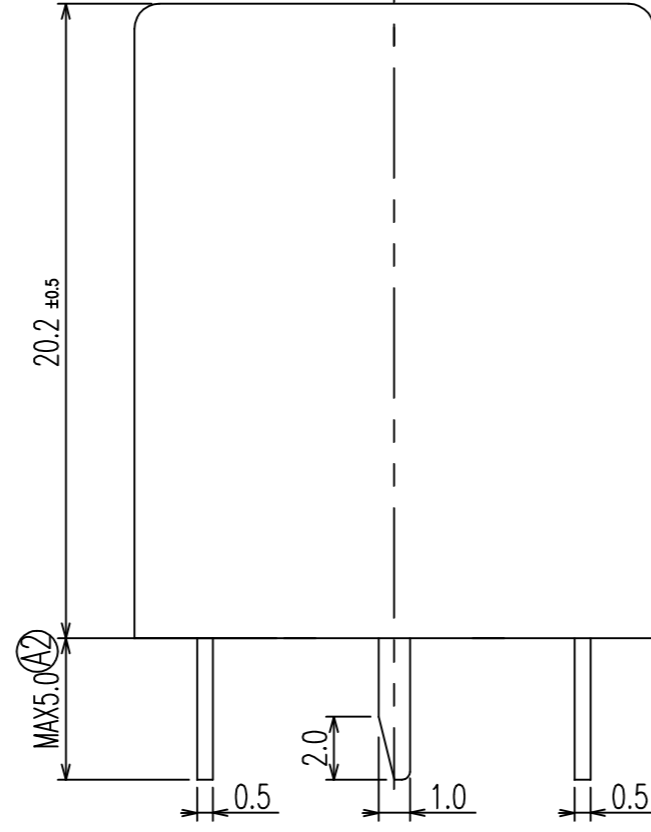
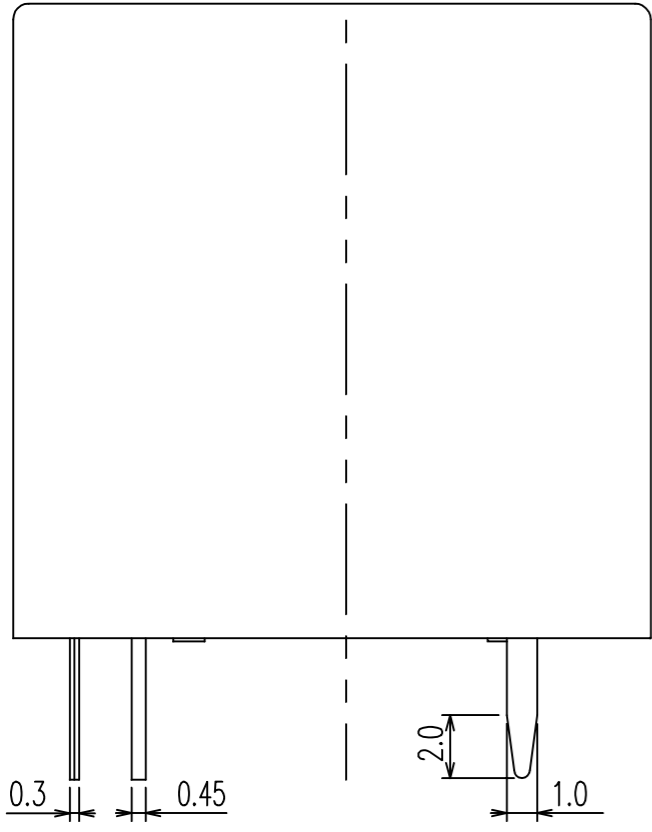
NOTE: LOT NO. SYSTEM AS FOLLOWING:

DIMENTION TOLERANCE	
Max. 1mm	±0.1
1mm~Max. 3mm	±0.2
Min. 3mm	±0.3

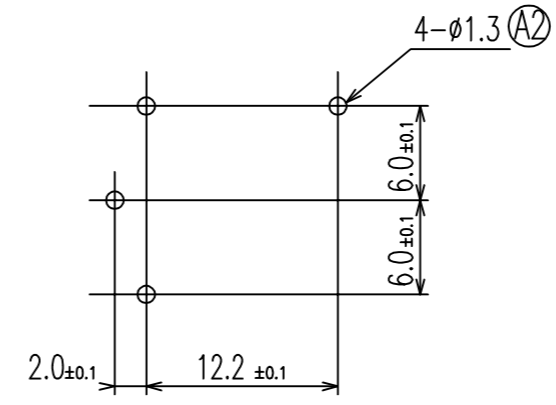
THIS DRAWING IS A CONTROLLED DOCUMENT FOR TYCO ELECTRONICS CORPORATION IT IS SUBJECT TO CHANGE AND THE CONTROLLING ENGINEERING ORGANIZATION SHOULD BE CONTACTED FOR THE LATEST REVISION.		DWN	H.SASAKI	Tyco Electronics Corporation ShenZhen, China
DIMENSIONS: mm		CHK	N.FUNAYAMA	
TOLERANCES UNLESS OTHERWISE SPECIFIED:		APVD	A.NAGAI	NAME T7C*5(1)D-**,009 CUSTOMER DRAWING
0 PLC ± 1 PLC ± 2 PLC ± 3 PLC ± 4 PLC ± ANGLES ±		PRODUCT SPEC	-	
MATERIAL		APPLICATION SPEC	-	SIZE A3 CAGE CODE 00779 DRAWING NO 1393190 RESTRICTED TO -
FINISH		WEIGHT	-	
		CUSTOMER DRAWING		SCALE 4:1
				SHEET 1 OF 3
				REV A3

THIS DRAWING IS UNPUBLISHED. RELEASED FOR PUBLICATION  
 © COPYRIGHT BY TYCO ELECTRONICS CORPORATION. ALL RIGHTS RESERVED.

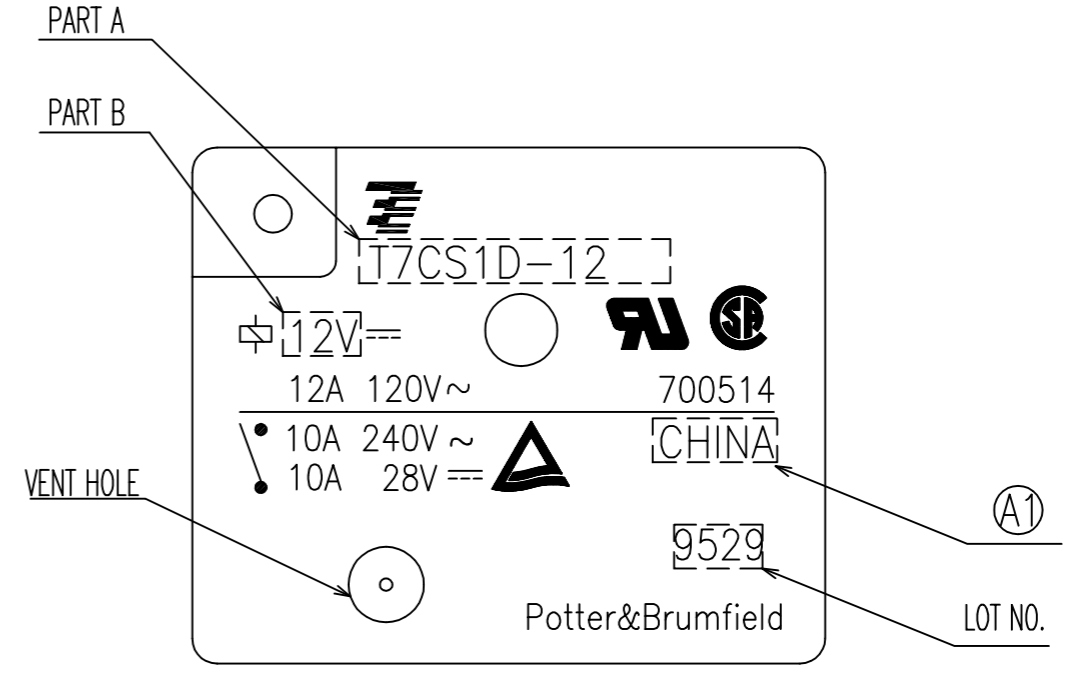
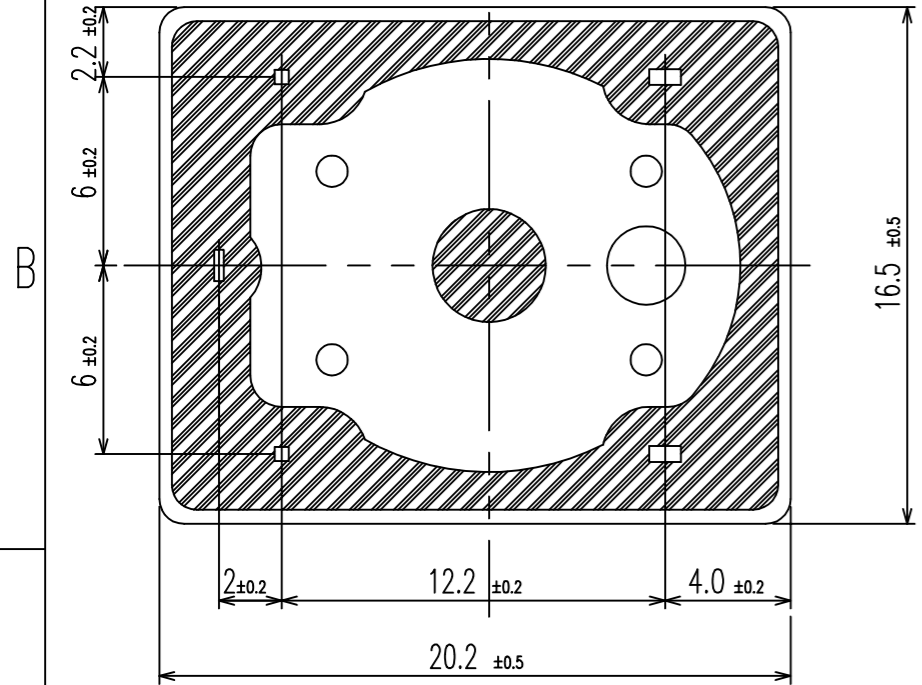
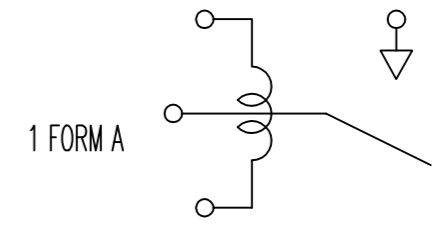
LOC	DIST	REVISIONS						
		P	LTR	DESCRIPTION	ECN	DATE	DWN	APVD



4. DRILLING DIAGRAM (BOTTOM VIEW)



CONNECTION DIAGRAM (BOTTOM VIEW)



THIS DRAWING IS A CONTROLLED DOCUMENT FOR TYCO ELECTRONICS CORPORATION IT IS SUBJECT TO CHANGE AND THE CONTROLLING ENGINEERING ORGANIZATION SHOULD BE CONTACTED FOR THE LATEST REVISION.		DWN	H.SASAKI	<b>Tyco Electronics</b> Tyco Electronics Corporation ShenZhen, China
DIMENSIONS: mm		CHK	N.FUNAYAMA	
TOLERANCES UNLESS OTHERWISE SPECIFIED: 0 PLC ± 1 PLC ± 2 PLC ± 3 PLC ± 4 PLC ± ANGLES ±		APVD	A.NAGAI	NAME
MATERIAL		PRODUCT SPEC	-	T7C*5(1)D-**,009 CUSTOMER DRAWING
FINISH		APPLICATION SPEC	-	SIZE A3 CAGE CODE 00779 DRAWING NO 1393190 RESTRICTED TO -
-		WEIGHT	-	SCALE 4:1 SHEET 2 OF 3 REV A3
-		CUSTOMER DRAWING		

4

3

2

1


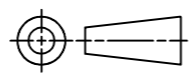
THIS DRAWING IS UNPUBLISHED. | RELEASED FOR PUBLICATION  
 © COPYRIGHT | BY TYCO ELECTRONICS CORPORATION. ALL RIGHTS RESERVED.

LOC HB	DIST	REVISIONS						
		P	LTR	DESCRIPTION	ECN	DATE	DWN	APVD

Ⓐ3	FIGURE 11	4-1393190-2	18V	T7CV1D-18	U
Ⓐ1	FIGURE 11	4-1393190-3	24V	T7CV1D-24	t
Ⓐ1	FIGURE 11	4-1393190-1	12V	T7CV1D-12	s
	FIGURE 11	1-1393190-2	24V	T7CS1D-24	r
	FIGURE 11	1-1393190-0	12V	T7CS1D-12	q
	FIGURE 1	6-1393190-3	48V	T7CV5D-48	p
	FIGURE 1	6-1393190-0	24V	T7CV5D-24	o
	FIGURE 1	5-1393190-6	18V	T7CV5D-18	n
	FIGURE 1	5-1393190-3	12V	T7CV5D-12	m
	FIGURE 1	4-1393190-9	9V	T7CV5D-09	l
	FIGURE 1	4-1393190-7	6V	T7CV5D-06	k
	FIGURE 1	4-1393190-6	5V	T7CV5D-05	j
	FIGURE 1	4-1393190-5	3V	T7CV5D-03	i
	FIGURE 1	3-1393190-1	48V	T7CS5D-48	h
	FIGURE 1	2-1393190-8	24V	T7CS5D-24	g
	FIGURE 1	2-1393190-5	18V	T7CS5D-18	f
	FIGURE 1	2-1393190-2	12V	T7CS5D-12	e
	FIGURE 1	2-1393190-0	9V	T7CS5D-09	d
	FIGURE 1	1-1393190-9	6V	T7CS5D-06	c
	FIGURE 1	1-1393190-8	5V	T7CS5D-05	b
	FIGURE 1	1-1393190-7	3V	T7CS5D-03	a
	FIGURE	TE PART NO	PART B	PART A	ITEM

RELAY TYPE

	UV RESIN	UV SEAL(FOR SEALED TYPE)	14
	EPOXY RESIN	SEAL	13
	MW79	MAGNETIC WIRE	12
UL94 V-0	PBT	CASE	11
UL94 V-0 CLASS-F	PET	BOBBIN	10
	CP WIRE	COIL TERMINAL	9
	Ag ALLOY	STATIONARY CONTACT	8
	Ag ALLOY	MOVABLE CONTACT	7
	Cu ALLOY	NC TERMINAL	6
	Cu ALLOY	NO TERMINAL	5
	Cu ALLOY	MOVABLE SPRING	4
	STEEL	CORE	3
	STEEL	ARMATURE	2
	STEEL	YOKE	1
INCOMBUSTIBILITY	MATERIAL	DESCRIPTION	ITEM

THIS DRAWING IS A CONTROLLED DOCUMENT FOR TYCO ELECTRONICS CORPORATION IT IS SUBJECT TO CHANGE AND THE CONTROLLING ENGINEERING ORGANIZATION SHOULD BE CONTACTED FOR THE LATEST REVISION.		DWN	H.SASAKI		 Tyco Electronics Corporation ShenZhen, China
DIMENSIONS: mm		CHK	N.FUNAYAMA		
		APVD	A.NAGAI		
TOLERANCES UNLESS OTHERWISE SPECIFIED:		PRODUCT SPEC	-		
0 PLC ± 1 PLC ± 2 PLC ± 3 PLC ± 4 PLC ± ANGLES ±		APPLICATION SPEC	-		
MATERIAL	FINISH	WEIGHT	-		NAME T7C*5(1)D-**,009 CUSTOMER DRAWING
-	-	CUSTOMER DRAWING	SIZE	A3	RESTRICTED TO
			CAGE CODE	00779	-
			DRAWING NO	C- 1393190	
			SCALE	4:1	
			SHEET	3 OF 3	
			REV	A3	