

PLEASE CHECK WWW.MOLEX.COM FOR LATEST PART INFORMATION

Part Number: [0760445001](#)
Status: **Active**
Overview: [sfp_stacked_multiport_connectors](#)
Description: Small Form-factor Pluggable Plus (SFP+) Stacked 2-by-1 Multi-Port Connector with 4 Lightpipe Ports, EMI Metal Gasket, 40 Circuits, Tin (Sn) Tails

Documents:

[3D Model](#) [Product Specification PS-75310-001 \(PDF\)](#)
[Drawing \(PDF\)](#) [RoHS Certificate of Compliance \(PDF\)](#)
[Application Specification \(PDF\)](#)

Agency Certification

CSA LR19980
 UL E29179

General

Product Family I/O Connectors
 Series [76044](#)
 Application Module-to-Board
 Component Type Receptacle
 Overview [sfp_stacked_multiport_connectors](#)
 Product Name SFP Plus
 Type N/A

Physical

Boot Color N/A
 Circuits (Loaded) 40
 Circuits (maximum) 40
 Circuits Detail 40
 Color - Resin Black, Clear (Blue Tint)
 Durability (mating cycles max) 100
 Flammability 94V-0
 Gender Female
 Keying to Mating Part None
 Lock to Mating Part Yes
 Material - Metal Brass, Phosphor Bronze
 Material - Plating Mating Gold
 Material - Plating Termination Tin
 Material - Resin High Temperature Thermoplastic, Polycarbonate
 Number of Rows 2
 Orientation Right Angle
 PC Tail Length (in) 0.081 In
 PC Tail Length (mm) 2.07 mm
 PCB Locator Yes
 PCB Retention Yes
 PCB Thickness Recommended (in) 0.062 In
 PCB Thickness Recommended (mm) 1.57 mm
 Packaging Type Tray
 Panel Mount No
 Pitch - Mating Interface (in) 0.031 In
 Pitch - Mating Interface (mm) 0.80 mm
 Pitch - Term. Interface (in) 0.031 In
 Pitch - Term. Interface (mm) 0.80 mm
 Plating min: Mating (µin) 30.4
 Plating min: Mating (µm) 0.76
 Plating min: Termination (µin) 30.4

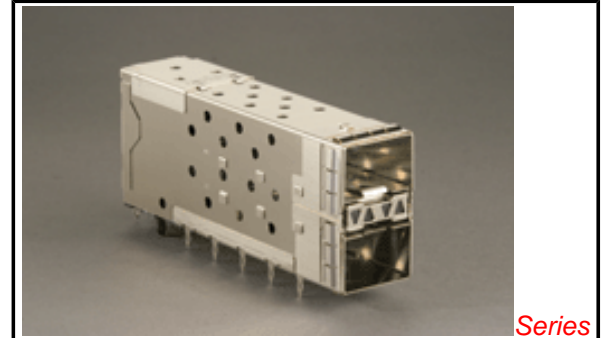


image - Reference only

Series

EU RoHS
ELV and RoHS
Compliant
REACH SVHC
 Not Reviewed
Halogen-Free
Status
Halogen-Free

China RoHS



Need more information on product environmental compliance?

Email productcompliance@molex.com
 For a multiple part number RoHS Certificate of Compliance, [click here](#)

Please visit the [Contact Us](#) section for any non-product compliance questions.

Search Parts in this Series
[76044Series](#)

Use With
[0759510999 SFP Dust Plug,](#)

Application Tooling | FAQ
Tooling specifications and manuals are found by selecting the products below. Crimp Height Specifications are then contained in the Application Tooling Specification document.

Global

Description	Product #
SFP Insertion Tool, x 1 Medium	20622029910
SFP Extraction Tool, 2 x 1 Medium	0622029930

Plating min: Termination (µm)	0.76
Polarized to Mating Part	Yes
Polarized to PCB	Yes
Ports	2
Surface Mount Compatible (SMC)	No
Temperature Range - Operating	-40°C to +85°C
Termination Interface: Style	Through Hole - Compliant Pin
Waterproof / Dustproof	No

Electrical

Current - Maximum per Contact	0.5A
Grounding to Panel	None
Shield Type	EMI Gasket
Shielded	Yes
Voltage - Maximum	120V AC (RMS)/DC

Material Info

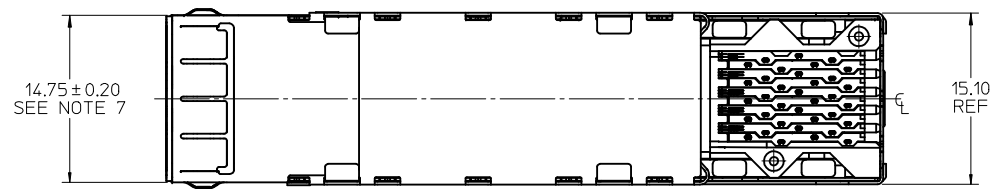
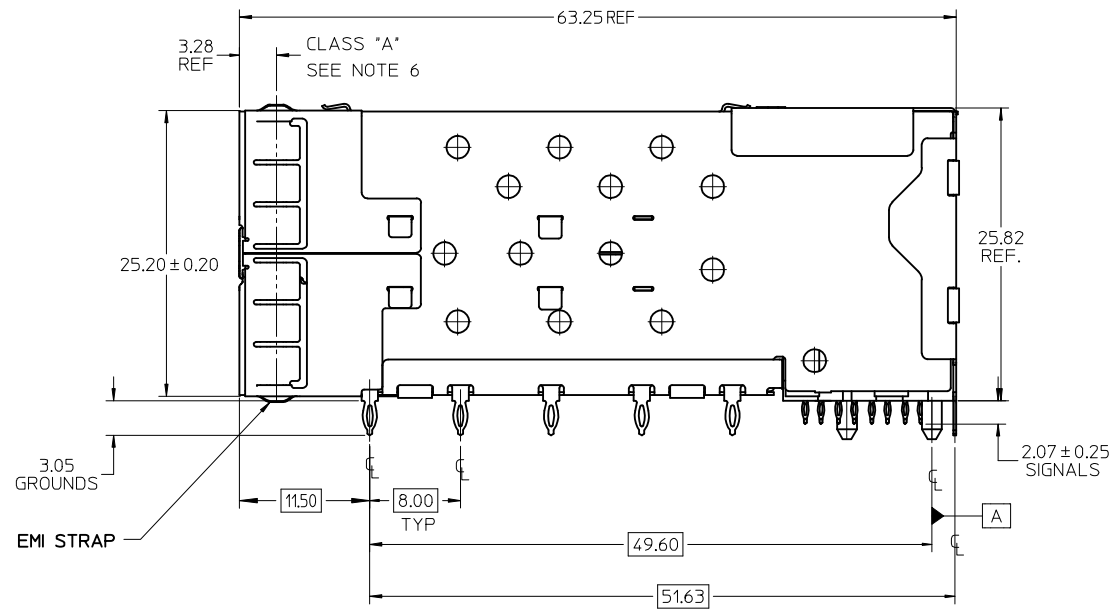
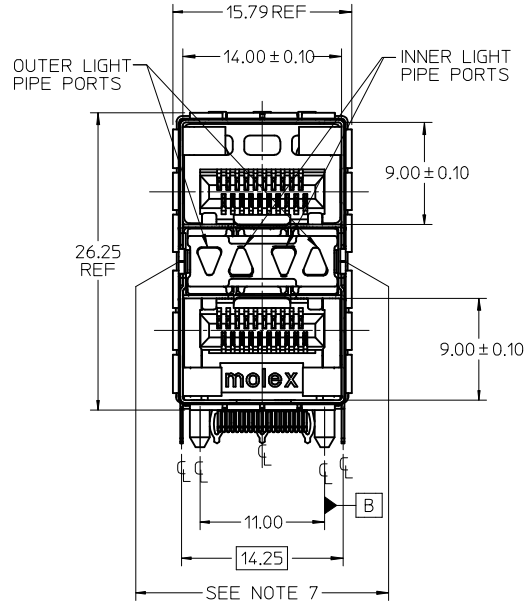
Reference - Drawing Numbers

Application Specification	AS-75310-001
Packaging Specification	PK-75462-001
Product Specification	PS-75310-001
Sales Drawing	SD-76044-001
Test Summary	TS-75310-001

This document was generated on 05/27/2010

PLEASE CHECK WWW.MOLEX.COM FOR LATEST PART INFORMATION

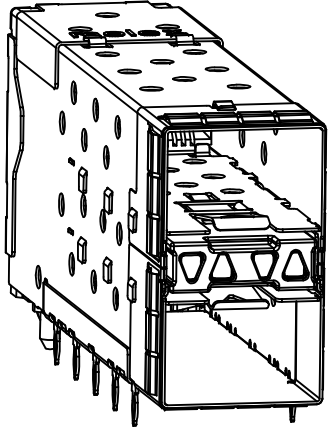
PART NUMBER	DESCRIPTION	VIEW	COMPLIANT TAIL PLATING
760440001	4 LIGHT PORTS	SEE PG 2	TIN / LEAD
760440002	INNER 2 PORTS	SEE PG 2	TIN / LEAD
760440003	OUTER 2 PORTS	SEE PG 2	TIN / LEAD
760445001	4 LIGHT PORTS	SEE PG 2	TIN
760445002	INNER 2 PORTS	SEE PG 2	TIN
760445003	OUTER 2 PORTS	SEE PG 2	TIN



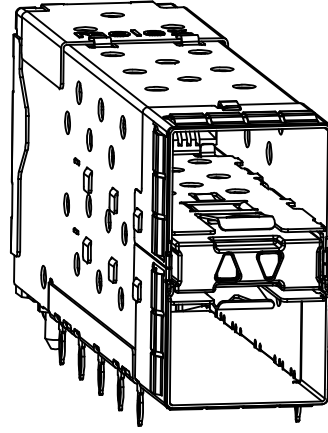
- NOTES
- MATERIAL:
 - EMI STRAPS: PHOS-BRONZE
 - CAGE: NICKEL SILVER, THICKNESS: 0.25mm
 - CONNECTOR HOUSING: GLASS FILLED HIGH TEMP PLASTIC, COLOR: BLACK
 - OVERMOLDED TERMINAL HOUSING: GLASS FILLED HIGH TEMP PLASTIC, COLOR: BLACK
 - TERMINALS: BRASS
 - LIGHT PIPES: POLYCARBONITE, 94 V-0, CLEAR
 - LIGHT PIPE HOUSING: ZINC
 - FINISH
 - EMI STRAPS: 100 MICROINCHES NICKEL OVERALL
 - LIGHT PIPE HOUSING: 150 MICRONS NICKEL OVER 150 MICRONS COPPER
 - TERMINALS: CONTACT AREA: 0.76 MICRONS MIN. HARD GOLD OVER 1.27 MICRONS MIN. NICKEL.
 - COMPLIANT TAIL - TIN/LEAD OPTION: 0.76 - 1.52 MICRONS 90/10 TIN/LEAD OVER 0.76 - 1.52 MICRONS NICKEL
 - COMPLIANT TAIL - TIN OPTION: 0.76 - 1.52 MICRONS TIN OVER 0.76 - 1.52 MICRONS NICKEL
 - REFER TO PS-75310-001 PRODUCT SPEC FOR ALL ELECTRICAL, MECHANICAL, AND ENVIRONMENTAL SPECIFICATIONS.
 - LIGHT PIPE PAD LAYOUT IS FOR 0805 LOW-PROFILE LED PACKAGE, FOR OTHER RECOMMENDED LAYOUTS REFER TO MOLEX'S REPORT TS-75310-001.
 - REFER TO PK-75462-001 FOR ALL PACKAGING SPECIFICATIONS.
 - ALL EXTERIOR SURFACES TO BE CLASS 'B' SURFACE EXCEPT THE UNDER SIDE OF THE CAGE WHERE THE PCB WOULD BE LOCATED AND AS NOTED, THE SURFACES TO CONFORM TO THE MOLEX COSMETIC DOC PS-45499-002.
 - THE OVERALL CAGE WIDTH AT THE VERTICAL CENTER OF THE FRONT EDGE WILL FALL WITHIN THIS DIMENSION: 15.05 +/- 0.30 MM. THIS PORTION OF THE CAGE WILL FLEX INWARD AS THE CAGE IS BEING INSERTED INTO THE BEZEL OPENING.

ADD NOTE 7/KEEPOUT'S EC NO: UCP2009-1582 DRW:MSBARRA 2009/01/07 CHKD:BBARKER 2009/01/09 APPR:SMILLER 2009/01/12	QUALITY SYMBOLS ▽=0 ▽=0	GENERAL TOLERANCES (UNLESS SPECIFIED)		DIMENSION STYLE MM ONLY	SCALE 3:1	DESIGN UNITS METRIC	THIRD ANGLE PROJECTION		
		4 PLACES ± --- ± --- 3 PLACES ± --- ± --- 2 PLACES ± 0.13 ± --- 1 PLACE ± 0.25 ± ---	mm INCH	DRAWN BY JJANTELEZ10	DATE 11-3-06	TITLE STACKED SFP+ 2X1 ASS'Y WITH METAL EMI GASKET AND LIGHTPIPES			
		ANGULAR ± 5 °		CHECKED BY JLONG	DATE 2-1-2007	MOLEX INCORPORATED			
		DRAFT WHERE APPLICABLE MUST REMAIN WITHIN DIMENSIONS		APPROVED BY KREGNIER	DATE 2-1-2007	MATERIAL NO. SEE TABLE	DOCUMENT NO. SD-76044-001	SHEET NO. 1 OF 4	

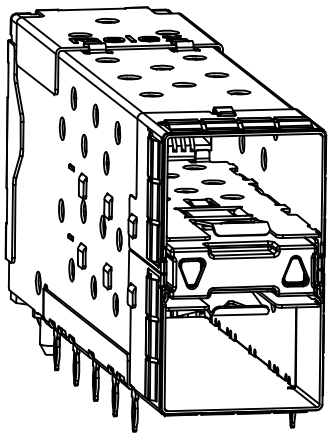
THIS DRAWING CONTAINS INFORMATION THAT IS PROPRIETARY TO MOLEX INCORPORATED AND SHOULD NOT BE USED WITHOUT WRITTEN PERMISSION



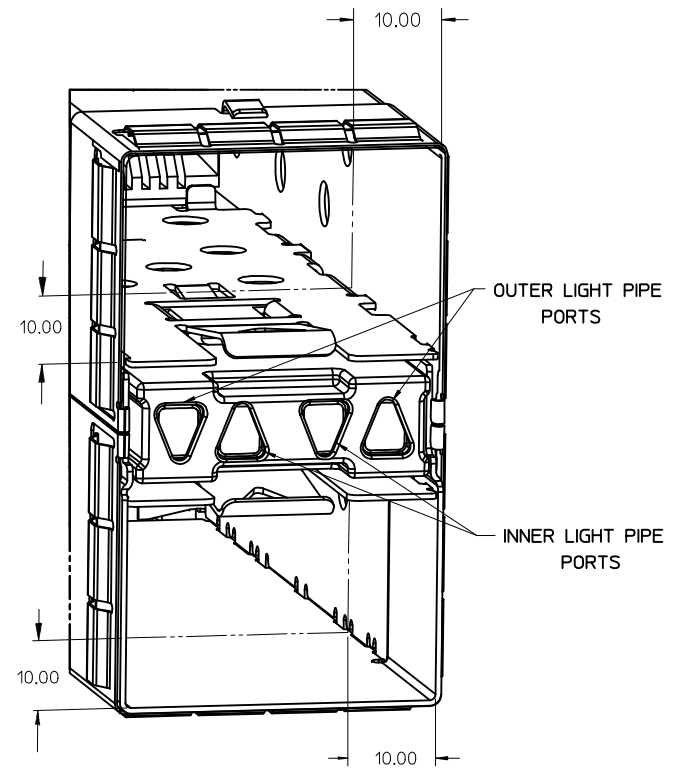
760440001 AND 760445001
WITH INNER AND OUTER LIGHT PIPES



760440002 AND 760445002
WITH INNER LIGHT PIPES

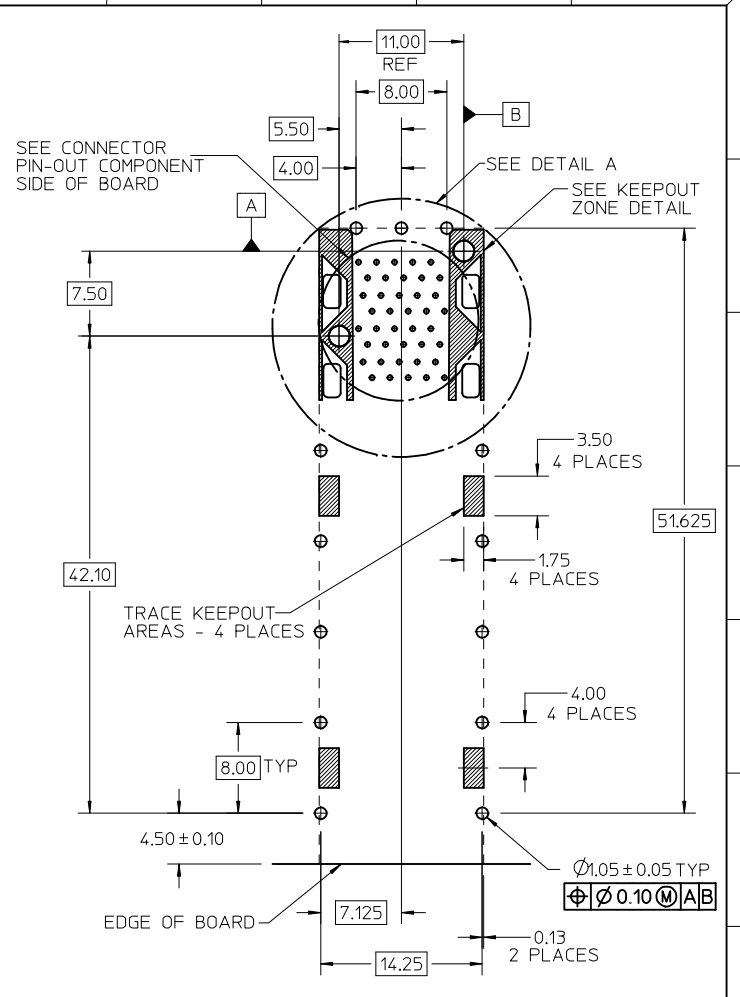
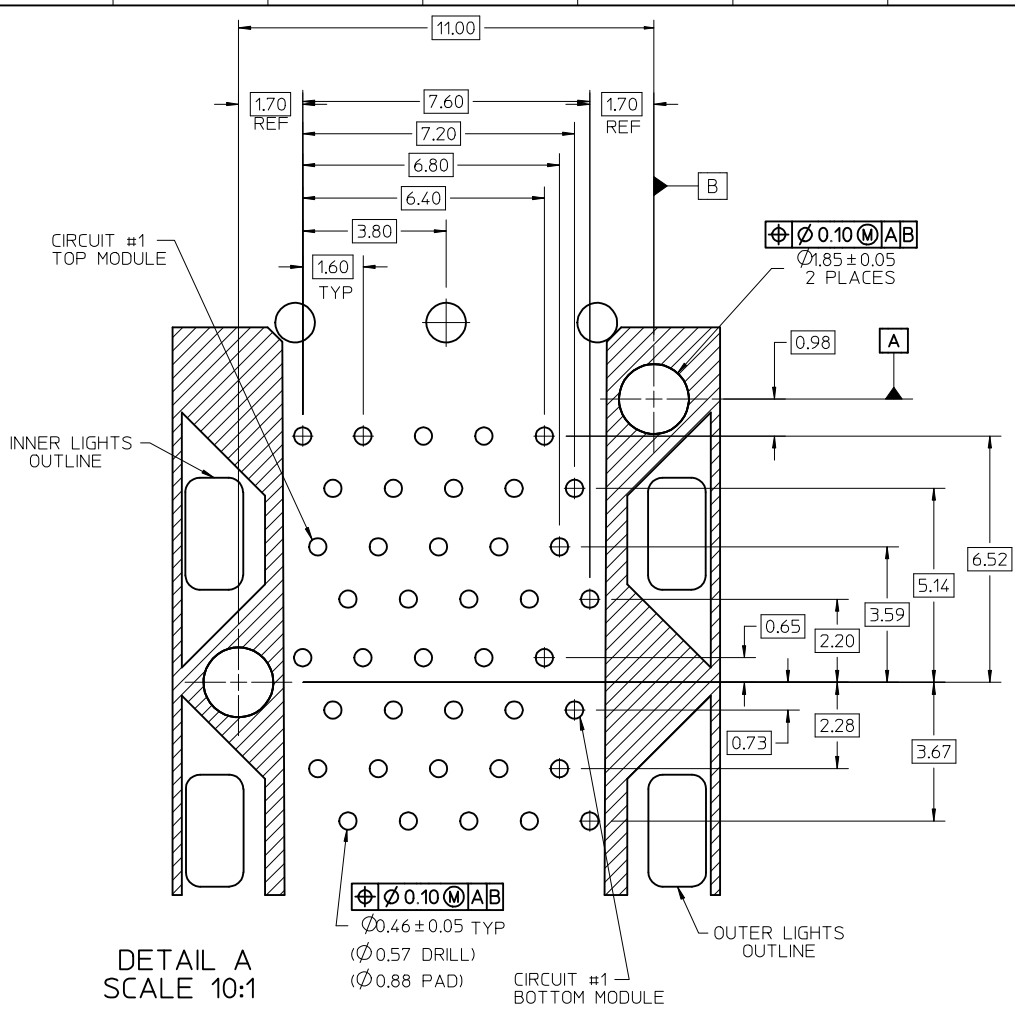


760440003 AND 760445003
WITH OUTER LIGHT PIPES

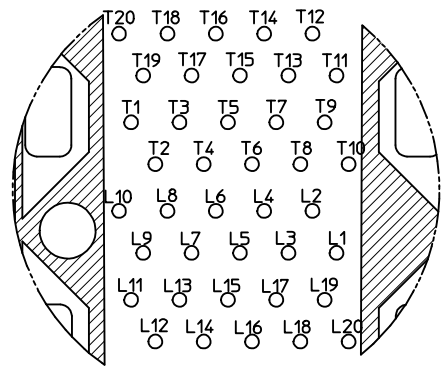


MODULE PORT DETAIL
10.00MM AREA SETBACK IN CAGE IS TO BE FREE OF ANY HOLES, DIMPLES, SEAMS OR ANY OTHER FEATURES. (4 SIDES PER MODULE PORT)

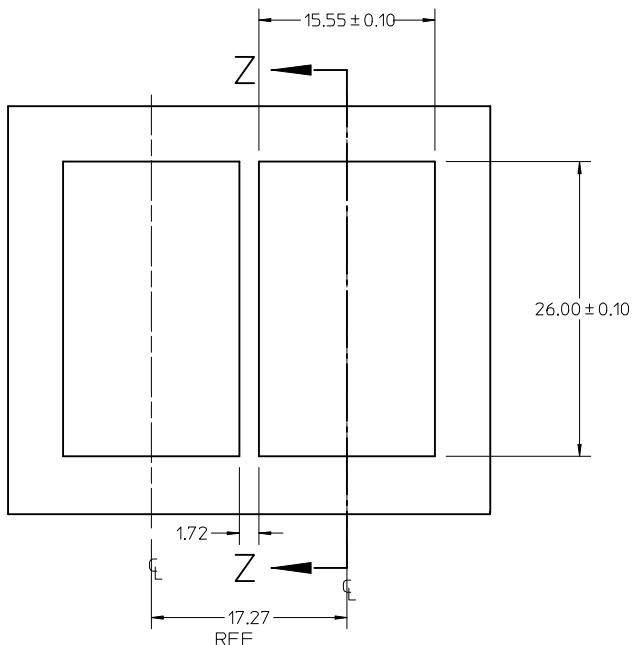
SEE SHEET 1 EC NO: UCP2009-1582 DRWN:MSIBARRA 2009/01/07 CHKD:BBARKER 2009/01/09 APPR:SMILLER 2009/01/12	QUALITY SYMBOLS ▽=0 ▽=0	GENERAL TOLERANCES (UNLESS SPECIFIED) mm INCH 4 PLACES ± --- ± --- 3 PLACES ± --- ± --- 2 PLACES ± 0.13 ± --- 1 PLACE ± 0.25 ± --- ANGULAR ± 5°	DIMENSION STYLE MM ONLY DRAWN BY DATE JJANTELEZIO 11-3-06 CHECKED BY DATE JLONG 2-1-2007 APPROVED BY DATE KREGNIER 2-1-2007	SCALE 3:1 DESIGN UNITS METRIC THIRD ANGLE PROJECTION	TITLE STACKED SFP+ 2X1 ASS'Y WITH METAL EMI GASKET AND LIGHTPIPES
	MATERIAL NO. SEE TABLE	MOLEX INCORPORATED	DOCUMENT NO. SD-76044-001	SHEET NO. 2 OF 4	
	DRAFT WHERE APPLICABLE MUST REMAIN WITHIN DIMENSIONS	THIS DRAWING CONTAINS INFORMATION THAT IS PROPRIETARY TO MOLEX INCORPORATED AND SHOULD NOT BE USED WITHOUT WRITTEN PERMISSION			
	SIZE C				



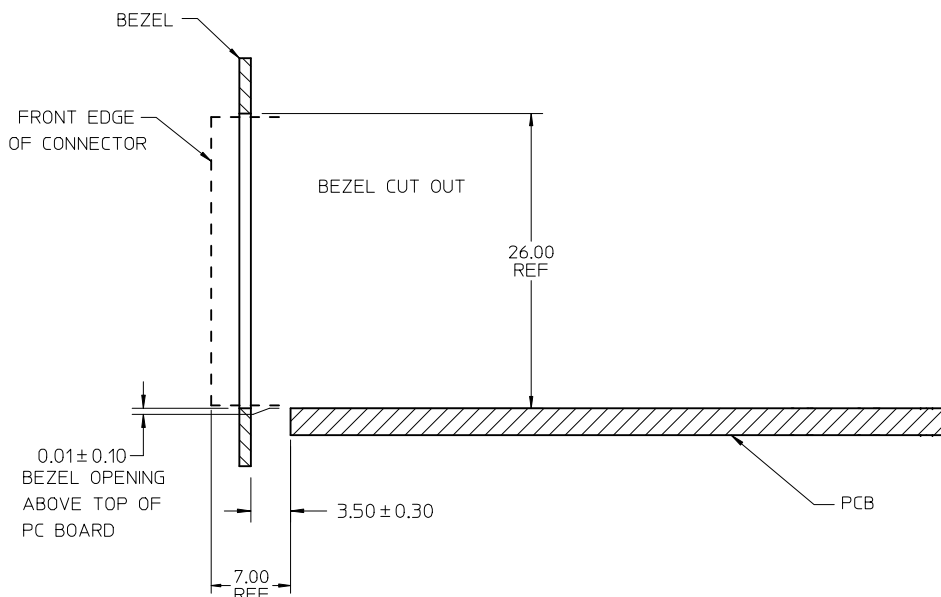
RECOMMENDED PCB LAYOUT - COMPONENT SIDE
 RECOMMENDED PCB THICKNESS - 2.36 MM (.093 INCH)
 THE ENTIRE AREA OF THE CONNECTOR FOOTPRINT TO BE CONSIDERED THE KEEP OUT AREA FOR COMPONENTS (OTHER THAN LIGHT PIPE LED'S). THIS AREA IS INDICATED BY THE DASHED LINE



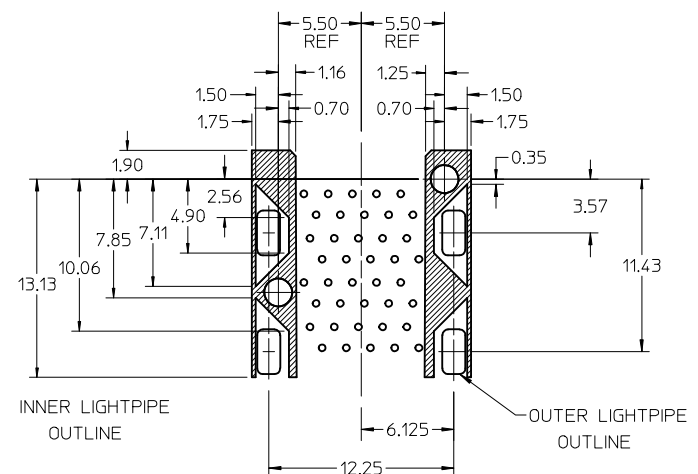
ADD KEEPOUT ZONES EC NO: UCP2009-1582 DRWN:MS BARRA 2009/01/07 CHKD:BBARKER 2009/01/09 APPR:SMILLER 2009/01/12	QUALITY SYMBOLS ▽=0 ▽=0	GENERAL TOLERANCES (UNLESS SPECIFIED)		DIMENSION STYLE MM ONLY		SCALE 3:1	DESIGN UNITS METRIC	THIRD ANGLE PROJECTION			
		4 PLACES ± --- ± ---	3 PLACES ± --- ± ---	2 PLACES ± 0.13 ± ---	1 PLACE ± 0.25 ± ---	ANGULAR ± 5 °	DRAWN BY JJANTELEZIO	DATE 11-3-06	STACKED SFP+ 2X1 ASS'Y WITH METAL EMI GASKET AND LIGHTPIPES		
		DRAFT WHERE APPLICABLE MUST REMAIN WITHIN DIMENSIONS		SEE TABLE	MATERIAL NO. SEE TABLE		APPROVED BY KREGNIER	DATE 2-1-2007	MOLEX INCORPORATED		
		THIS DRAWING CONTAINS INFORMATION THAT IS PROPRIETARY TO MOLEX INCORPORATED AND SHOULD NOT BE USED WITHOUT WRITTEN PERMISSION		DOCUMENT NO. SD-76044-001		SHEET NO. 3 OF 4					



BEZEL CUT-OUT CENTER SPACING DETAIL
BEZEL THICKNESS 0.8-2.6



SECTION Z-Z



DETAIL - LIGHT PIPE AND OTHER ZONES
SCALE 8:1

THE HATCHED AREA IN THIS VIEW INDICATES ZONES THAT ARE OCCUPIED BY THE PLASTIC HOUSING THAT SEATS AGAINST THE PCB AND BY THE VERTICAL METAL CAGE WALL THAT STOPS JUST SHORT OF THE PCB

SEE SHEET 1 EC NO: UCP2009-1582 DRWN:MS.BARRA 2009/01/07 CHKD:BBARKER 2009/01/09 APPR:SMILLER 2009/01/12	QUALITY SYMBOLS ▽=0 ▽=0	GENERAL TOLERANCES (UNLESS SPECIFIED) <table border="1"> <thead> <tr> <th></th> <th>mm</th> <th>INCH</th> </tr> </thead> <tbody> <tr> <td>4 PLACES</td> <td>± ---</td> <td>± ---</td> </tr> <tr> <td>3 PLACES</td> <td>± ---</td> <td>± ---</td> </tr> <tr> <td>2 PLACES</td> <td>± 0.13</td> <td>± ---</td> </tr> <tr> <td>1 PLACE</td> <td>± 0.25</td> <td>± ---</td> </tr> </tbody> </table>		mm	INCH	4 PLACES	± ---	± ---	3 PLACES	± ---	± ---	2 PLACES	± 0.13	± ---	1 PLACE	± 0.25	± ---	DIMENSION STYLE MM ONLY	SCALE 3:1	DESIGN UNITS METRIC	THIRD ANGLE PROJECTION
		mm	INCH																		
	4 PLACES	± ---	± ---																		
	3 PLACES	± ---	± ---																		
2 PLACES	± 0.13	± ---																			
1 PLACE	± 0.25	± ---																			
DRAWN BY JJANTELEZIO	DATE 11-3-06	TITLE STACKED SFP+ 2X1 ASS'Y WITH METAL EMI GASKET AND LIGHTPIPES																			
CHECKED BY JLONG	DATE 2-1-2007	MOLEX INCORPORATED																			
APPROVED BY KREGNIER	DATE 2-1-2007	MATERIAL NO. SEE TABLE	DOCUMENT NO. SD-76044-001	SHEET NO. 4 OF 4																	