

# Customer Information Sheet

DRAWING No.: H2088-01

SHEET 2 OF 2

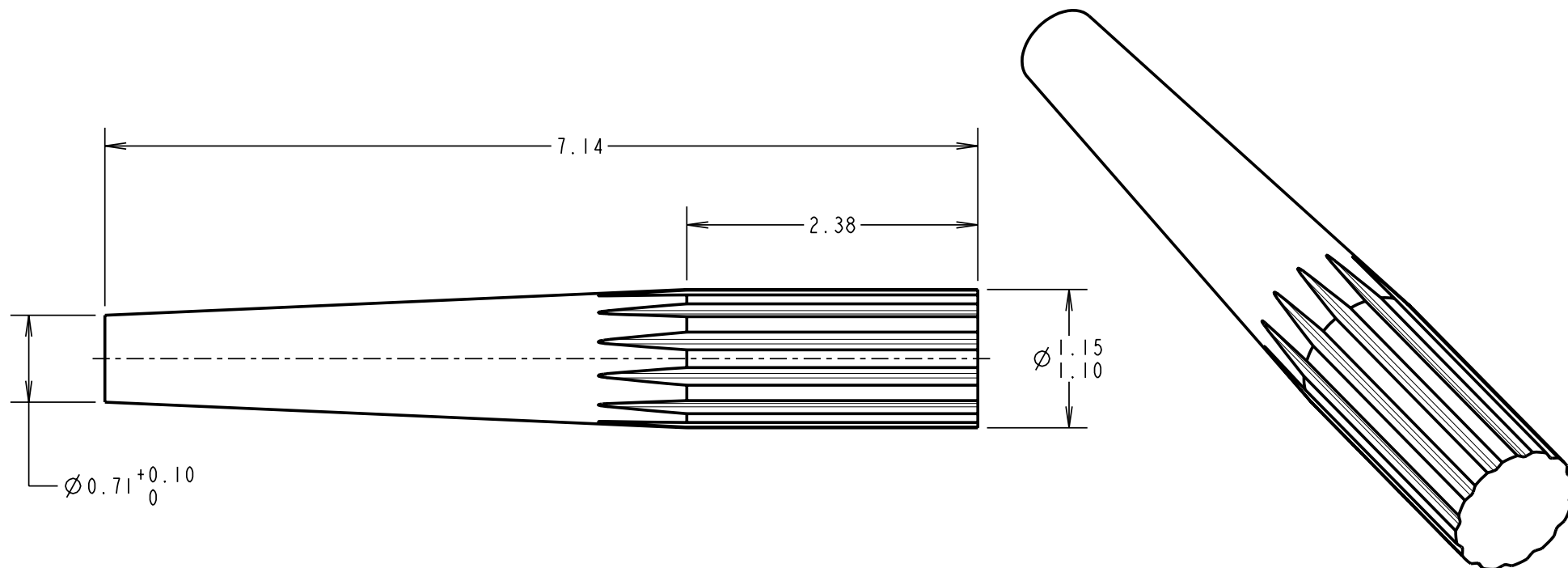
IF IN DOUBT - ASK

©

NOT TO SCALE

THIRD ANGLE PROJECTION

ALL DIMENSIONS IN mm



**NOTES:**

1. RECOMMENDED PANEL THICKNESS = 1.6/2.4mm.
2. RECOMMENDED MOUNTING HOLE SIZE FOR PAPER-BASED PANEL =  $\varnothing 1.00$   
RECOMMENDED MOUNTING HOLE SIZE FOR EPOXY-GLASS PANEL =  $\varnothing 1.05$
3. PUNCH & DIE TOOL PART No. = Z2088-00

MGP	15	13.02.07	9697
NAME	ISS.	DATE	C/NOTE
APPROVED: MGP			
CHECKED: NJBC			
DRAWN: PETER COLLINS			
CUSTOMER REF.:			
ASSEMBLY DRG:			

**HARWIN**

THIS DRAWING AND ANY INFORMATION OR DESCRIPTIVE MATTER SET OUT HEREON ARE CONFIDENTIAL AND COPYRIGHT PROPERTY OF THE HARWIN GROUP AND MUST NOT BE DISCLOSED, LOANED, COPIED OR USED FOR MANUFACTURING, TENDERING OR FOR ANY OTHER PURPOSE WITHOUT THEIR WRITTEN PERMISSION.

**TOLERANCES**  
X. =  $\pm 1$ mm  
X.X =  $\pm 0.25$ mm  
X.XX =  $\pm 0.10$ mm  
X.XXX =  $\pm 0.01$ mm  
**ANGLES =  $\pm 5^\circ$**   
**UNLESS STATED**

**MATERIAL:**  
BRASS CW614N M  
TO BS EN 12164 (CuZn39Pb3)  
**FINISH: 100% TIN OVER NICKEL**  
**S/AREA: mm<sup>2</sup>**

**TITLE:**  
**TERMINAL PIN**  
**DRAWING NUMBER:**  
**H2088-01**

HARWIN USA  
TEL: 603 893 5376  
FAX: 603 893 5396  
mis@harwin.com

HARWIN Europe (UK)  
TEL: 023 9231 4545  
FAX: 023 9231 4590  
mis@harwin.co.uk

HARWIN Asia  
TEL: +65 6 779 4909  
FAX: +65 6 779 3868  
mis@harwin.com.sg

SHT  
2 OF 2