

HI-516

16-Channel/Differential 8-Channel, CMOS High Speed Analog Multiplexer

FN3146
Rev 4.00
April 1, 2005

The HI-516 is a monolithic, dielectrically isolated, high-speed, high-performance CMOS analog multiplexer. It offers unique built-in channel selection decoding plus an inhibit input for disabling all channels. The dual function of address input A₃ enables the HI-516 to be user programmed either as a single ended 16-Channel multiplexer by connecting 'out A' to 'out B' and using A₃ as a digital address input, or as an 8-Channel differential multiplexer by connecting A₃ to the V- supply. The substrate leakages and parasitic capacitances are reduced substantially by using the Intersil Dielectric Isolation process to achieve optimum performance in both high and low level signal applications. The low output leakage current (I_{D(OFF)} < 100pA at 25°C) and fast settling (t_{SETTLE} = 800ns to 0.01%) characteristics of the device make it an ideal choice for high speed data acquisition systems, precision instrumentation, and industrial process control.

For MIL-STD-883 compliant parts, request the HI-516/883 data sheet.

Ordering Information

PART NUMBER	TEMP. RANGE (°C)	PACKAGE	PKG. DWG. #
HI3-0516-5	0 to 75	28 Ld PDIP	E28.6
HI3-0516-5Z (See Note)	0 to 75	28 Ld PDIP* (Pb-free)	E28.6

*Pb-free PDIPs can be used for through hole wave solder processing only. They are not intended for use in Reflow solder processing applications.

NOTE: Intersil Pb-free products employ special Pb-free material sets; molding compounds/die attach materials and 100% matte tin plate termination finish, which are RoHS compliant and compatible with both SnPb and Pb-free soldering operations. Intersil Pb-free products are MSL classified at Pb-free peak reflow temperatures that meet or exceed the Pb-free requirements of IPC/JEDEC J STD-020.

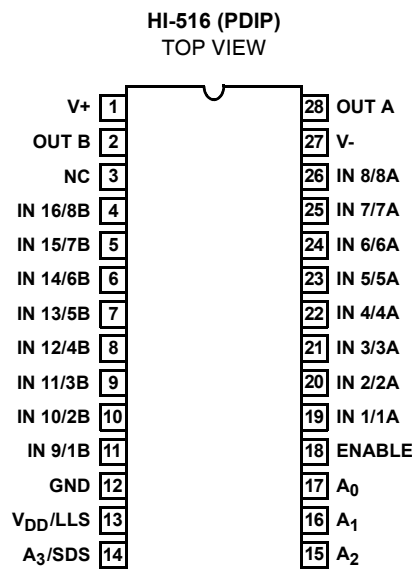
Features

- Access Time (Typical) 130ns
- Settling Time 250ns (0.1%)
- Low Leakage (Typical)
 - I_{S(OFF)} 10pA
 - I_{D(OFF)} 30pA
- Low Capacitance (Max)
 - C_{S(OFF)} 10pF
 - C_{D(OFF)} 25pF
- Off Isolation at 500kHz 55dB (Min)
- Low Charge Injection Error 20mV
- Single Ended to Differential Selectable (SDS)
- Logic Level Selectable (LLS)
- Pb-Free Available (RoHS Compliant)

Applications

- Data Acquisition Systems
- Precision Instrumentation
- Industrial Control

Pinout



Truth Tables

HI-516 USED AS A 16-CHANNEL MULTIPLEXER OR
DUAL 8-CHANNEL MULTIPLEXER (NOTE 1)

USE A ₃ AS DIGITAL ADDRESS INPUT					ON CHANNEL TO	
ENABLE	A ₃	A ₂	A ₁	A ₀	OUT A	OUT B
L	X	X	X	X	None	None
H	L	L	L	L	1A	None
H	L	L	L	H	2A	None
H	L	L	H	L	3A	None
H	L	L	H	H	4A	None
H	L	H	L	L	5A	None
H	L	H	L	H	6A	None
H	L	H	H	L	7A	None
H	L	H	H	H	8A	None
H	H	L	L	L	None	1B
H	H	L	L	H	None	2B
H	H	L	H	L	None	3B
H	H	L	H	H	None	4B
H	H	H	L	L	None	5B
H	H	H	L	H	None	6B
H	H	H	H	L	None	7B
H	H	H	H	H	None	8B

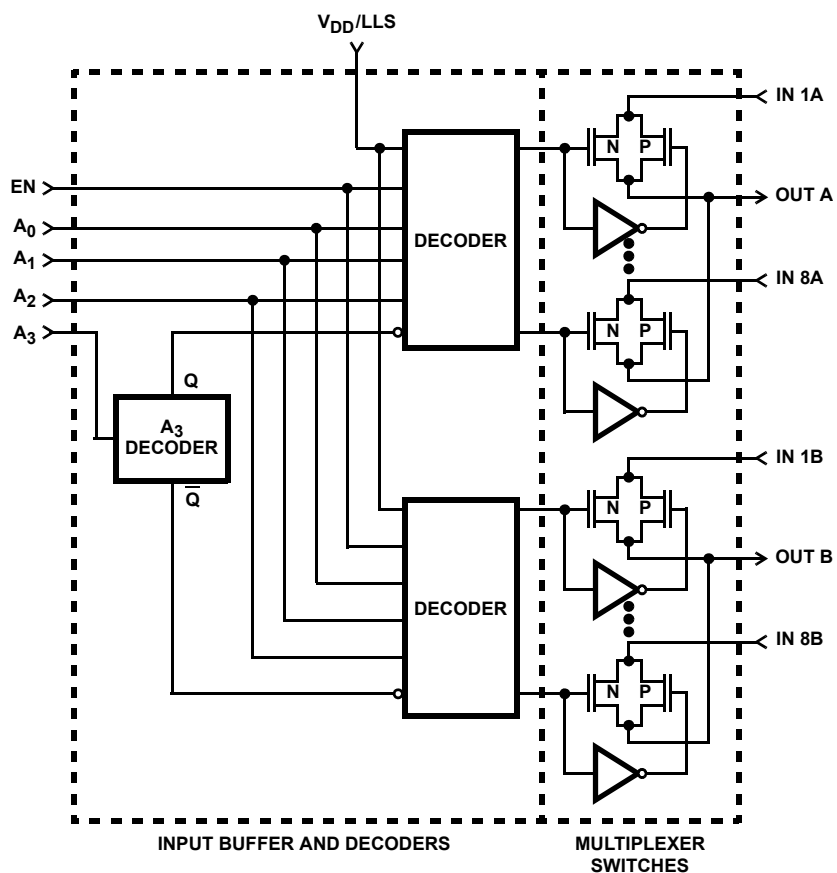
NOTE:

- For 16-channel single-ended function, tie 'out A' to 'out B'; for dual 8-channel function use the A₃ address pin to select between MUX A and MUX B, where MUX A is selected with A₃ low.

HI-516 USED AS A DIFFERENTIAL 8-CHANNEL MULTIPLEXER

A ₃ CONNECTED TO V-SUPPLY				ON CHANNEL TO	
ENABLE	A ₂	A ₁	A ₀	OUT A	OUT B
L	X	X	X	None	None
H	L	L	L	1A	1B
H	L	L	H	2A	2B
H	L	H	L	3A	3B
H	L	H	H	4A	4B
H	H	L	L	5A	5B
H	H	L	H	6A	6B
H	H	H	L	7A	7B
H	H	H	H	8A	8B

Functional Block Diagram



A ₃ DECODE		
A ₃	Q	\bar{Q}
H	H	L
L	L	H
V-	L	L

Absolute Maximum Ratings

V+ to V- 33V
 Analog Signal (V_{IN}, V_{OUT})
 (V-) -2V to (V+) +2V
 Digital Input Voltage:
 TTL Levels Selected (V_{DD}/LLS Pin = GND or Open)
 V_{A0-2} -6V to +6V
 V_{A3}/SDS (V-) -2V to (V+) +2V
 CMOS Levels Selected (V_{DD}/LLS Pin = V_{DD})
 V_{A0-3} -2V to (V+) +2V

Thermal Information

Thermal Resistance (Typical, Note 2) θ_{JA} (°C/W)
 PDIP Package* 60
 Maximum Junction Temperature
 Plastic Package 150°C
 Maximum Storage Temperature Range -65°C to 150°C
 Maximum Lead Temperature (Soldering 10s) 300°C
 *Pb-free PDIPs can be used for through hole wave solder processing only. They are not intended for use in Reflow solder processing applications.

Operating Conditions

Temperature Ranges
 HI-516-5 0°C to 75°C

CAUTION: Stresses above those listed in "Absolute Maximum Ratings" may cause permanent damage to the device. This is a stress only rating and operation of the device at these or any other conditions above those indicated in the operational sections of this specification is not implied.

NOTE:

- 2. θ_{JA} is measured with the component mounted on an evaluation PC board in free air.

Electrical Specifications Supplies = +15V, -15V; V_{AH} (Logic Level High) = 2.4V, V_{AL} (Logic Level Low) = 0.8V; V_{DD}/LLS = GND. (Note 3) Unless Otherwise Specified

PARAMETER	TEST CONDITIONS	TEMP (°C)	-5			UNITS
			MIN	TYP	MAX	
DYNAMIC CHARACTERISTICS						
Access Time, t _A		25	-	130	175	ns
		Full	-	-	225	ns
Break-Before-Make Delay, t _{OPEN}		25	10	20	-	ns
Enable Delay (ON), t _{ON(EN)}		25	-	120	175	ns
Enable Delay (OFF), t _{OFF(EN)}		25	-	140	175	ns
Settling Time	To 0.1%	25	-	250	-	ns
	To 0.01%	25	-	800	-	ns
Charge Injection Error	Note 6	25	-	-	20	mV
Off Isolation	Note 7	25	55	-	-	dB
Channel Input Capacitance, C _{S(OFF)}		25	-	-	10	pF
Channel Output Capacitance, C _{D(OFF)}		25	-	-	25	pF
Digital Input Capacitance, C _A		25	-	-	10	pF
Input to Output Capacitance, C _{DS(OFF)}		25	-	0.02	-	pF
DIGITAL INPUT CHARACTERISTICS						
Input Low Threshold, V _{AL} (TTL)	Note 3	Full	-	-	0.8	V
Input High Threshold, V _{AH} (TTL)	Note 3	Full	2.4	-	-	V
Input Low Threshold, V _{AL} (CMOS)	Note 3	Full	-	-	0.3V _{DD}	V
Input High Threshold, V _{AH} (CMOS)	Note 3	Full	0.7V _{DD}	-	-	V
Input Leakage Current, I _{AH} (High)		Full	-	-	1	μA

Electrical Specifications Supplies = +15V, -15V; V_{AH} (Logic Level High) = 2.4V, V_{AL} (Logic Level Low) = 0.8V; $V_{DD}/LLS = GND$. (Note 3) Unless Otherwise Specified **(Continued)**

PARAMETER	TEST CONDITIONS	TEMP (°C)	-5			UNITS
			MIN	TYP	MAX	
Input Leakage Current, I_{AL} (Low)		Full	-	-	25	μA
ANALOG CHANNEL CHARACTERISTICS						
Analog Signal Range, V_{IN}	Note 4	Full	-15	-	+15	V
On Resistance, r_{ON}	Note 5	25	-	620	750	Ω
		Full	-	-	1,000	Ω
Off Input Leakage Current, $I_{S(OFF)}$		25	-	0.01	-	nA
		Full	-	-	50	nA
Off Output Leakage Current, $I_{D(OFF)}$		25	-	0.03	-	nA
		Full	-	-	100	nA
On Channel Leakage Current, $I_{D(ON)}$		25	-	0.04	-	nA
POWER SUPPLY CHARACTERISTICS						
Power Dissipation, P_D		Full	-	-	900	mW
I_+ , Current	$V_{EN} = 2.4V$	Full	-	-	30	mA
I_- , Current		Full	-	-	30	mA

NOTES:

- V_{DD}/LLS pin = open or grounded for TTL compatibility. V_{DD}/LLS pin = V_{DD} for CMOS compatibility.
- At temperatures above 90°C, care must be taken to assure V_{IN} remains at least 1V below the V_{SUPPLY} for proper operation.
- $V_{IN} = \pm 10V$, $I_{OUT} = -100\mu A$.
- $V_{IN} = 0V$, $C_L = 100pF$, enable input pulse = 3V, $f = 500kHz$.
- $V_{EN} = 0.8V$, $V_{IN} = 3V_{RMS}$, $f = 500kHz$, $C_L = 40pF$, $R_L = 1K$, Pin 3 grounded.

© Copyright Intersil Americas LLC 2000-2005. All Rights Reserved.
All trademarks and registered trademarks are the property of their respective owners.

For additional products, see www.intersil.com/en/products.html

Intersil products are manufactured, assembled and tested utilizing ISO9001 quality systems as noted in the quality certifications found at www.intersil.com/en/support/qualandreliability.html

Intersil products are sold by description only. Intersil may modify the circuit design and/or specifications of products at any time without notice, provided that such modification does not, in Intersil's sole judgment, affect the form, fit or function of the product. Accordingly, the reader is cautioned to verify that datasheets are current before placing orders. Information furnished by Intersil is believed to be accurate and reliable. However, no responsibility is assumed by Intersil or its subsidiaries for its use; nor for any infringements of patents or other rights of third parties which may result from its use. No license is granted by implication or otherwise under any patent or patent rights of Intersil or its subsidiaries.

For information regarding Intersil Corporation and its products, see www.intersil.com

Test Circuits and Waveforms $V_{DD}/LLS = GND$, Unless Otherwise Specified.

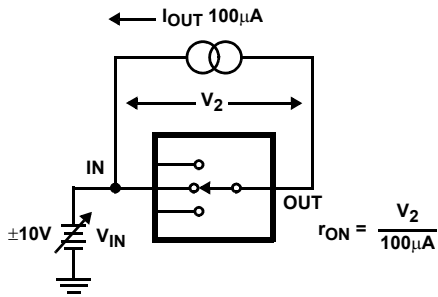


FIGURE 1. ON RESISTANCE TEST CIRCUIT

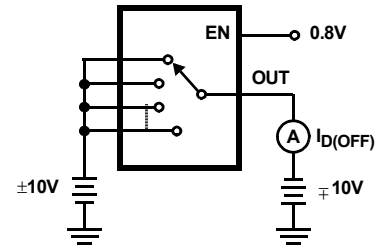


FIGURE 2. $I_{D(OFF)}$ TEST CIRCUIT (NOTE 8)

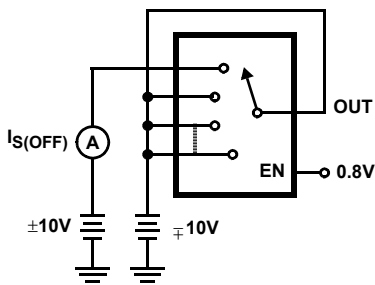


FIGURE 3. $I_{S(OFF)}$ TEST CIRCUIT (NOTE 8)

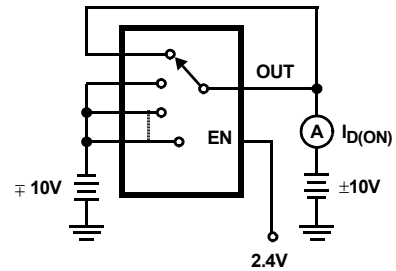


FIGURE 4. $I_{D(ON)}$ TEST CIRCUIT (NOTE 8)

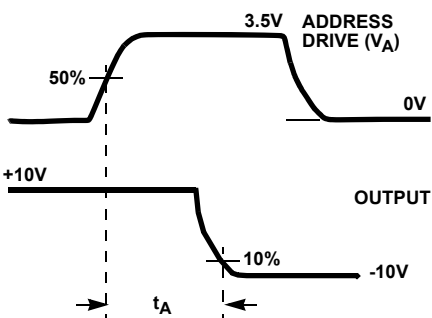


FIGURE 5A. MEASUREMENT POINTS

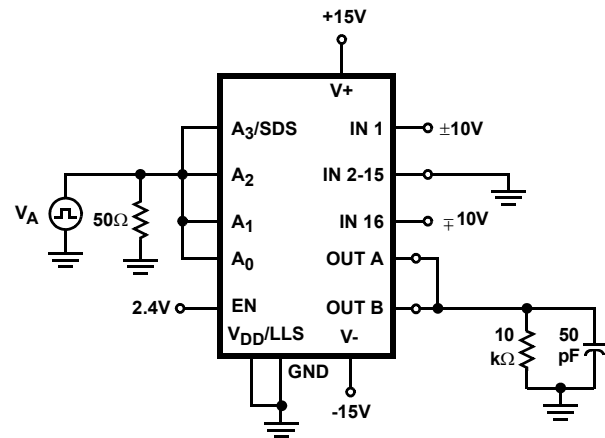


FIGURE 5B. TEST CIRCUIT

NOTE:

8. Two measurements per channel: $\pm 10V$ and $\mp 10V$. (Two measurements per device for $I_{D(OFF)}$ $\pm 10V$ and $\mp 10V$).

FIGURE 6. ACCESS TIME

Test Circuits and Waveforms $V_{DD}/LLS = GND$, Unless Otherwise Specified. (Continued)

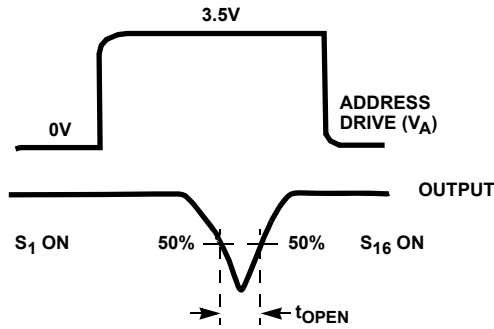


FIGURE 7A. MEASUREMENT POINTS

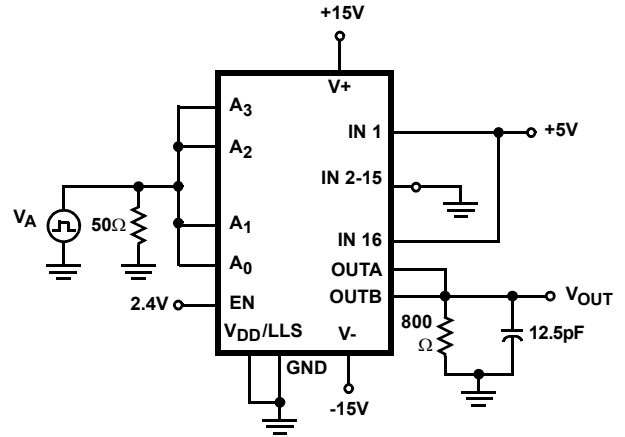


FIGURE 7B. TEST CIRCUIT

FIGURE 7. BREAK-BEFORE-MAKE DELAY

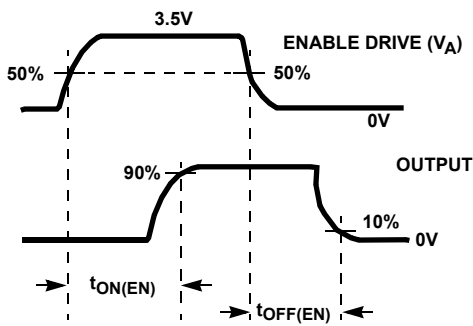


FIGURE 8A. MEASUREMENT POINTS

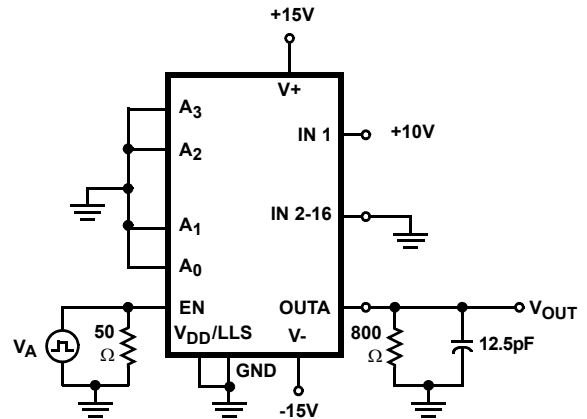


FIGURE 8B. TEST CIRCUIT

FIGURE 8. ENABLE DELAYS

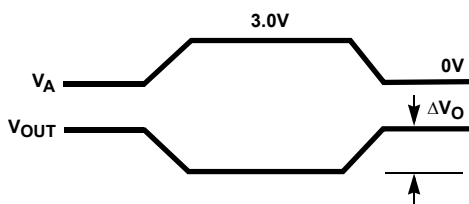


FIGURE 9A. MEASUREMENT POINTS

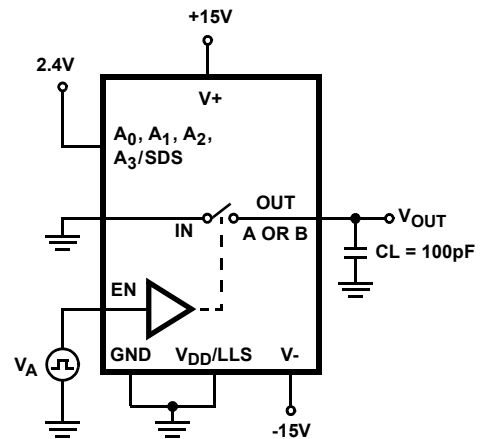


FIGURE 9B. TEST CIRCUIT

ΔV_O is the measured voltage error due to charge injection. The error in coulombs is $Q = C_L \times \Delta V_O$.

FIGURE 9. CHARGE INJECTION

Die Characteristics

DIE DIMENSIONS:

2250μm x 3720μm x 485μm

METALLIZATION:

Type: CuAl
 Thickness: 16kÅ ±2kÅ

PASSIVATION:

Type: Nitride Over Silox
 Nitride Thickness: 3.5kÅ ±1kÅ
 Silox Thickness: 12kÅ ±2kÅ

WORST CASE CURRENT DENSITY:

1.64 x 10⁵ A/cm²

Metallization Mask Layout

