

PLEASE CHECK WWW.MOLEX.COM FOR LATEST PART INFORMATION

Part Number: [52025-0411](#)
Status: **Active**
Description: Mini-Fit® Wire-to-Wire Plug Housing, 5.00mm Pitch, Floating-Fit Drawer Type, 4 Circuits

Documents:

3D Model	Product Specification PS-51010-005 (PDF)
Drawing (PDF)	Product Specification PS-51010-006 (PDF)
Product Specification PS-51010-001 (PDF)	Product Specification PS-51010-007 (PDF)
Product Specification PS-51010-002 (PDF)	Packaging Specification SPK-52025-001 (PDF)
Product Specification PS-51010-003 (PDF)	RoHS Certificate of Compliance (PDF)
Product Specification PS-51010-004 (PDF)	

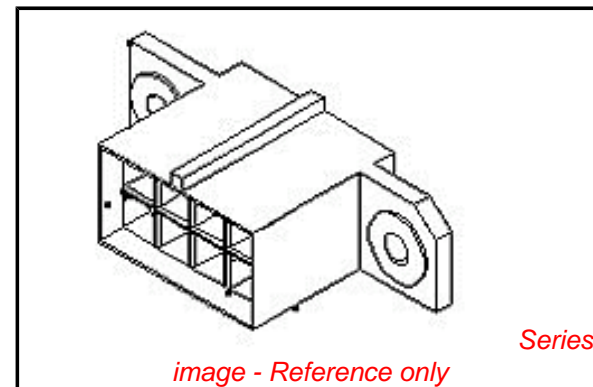


image - Reference only

Agency Certification

CSA	LR19980
TUV	R72081037
UL	E29179

General

Product Family	Crimp Housings
Series	52025
Application	Power, Wire-to-Wire
Product Name	N/A
UPC	800753692992

Physical

Circuits (maximum)	4
Color - Resin	Black
Flammability	94V-0
Gender	Male
Glow-Wire Compliant	No
Lock to Mating Part	Yes
Material - Resin	Polyester
Net Weight	4.440/g
Number of Rows	2
Packaging Type	Bag
Panel Mount	Yes
Pitch - Mating Interface	5.00mm
Stackable	No
Temperature Range - Operating	-40°C to +105°C

Material Info

Reference - Drawing Numbers

Packaging Specification	SPK-52025-001
Product Specification	PS-51010-001, PS-51010-002, PS-51010-003, PS-51010-004, PS-51010-005, PS-51010-006, PS-51010-007, RPS-51010-013
Sales Drawing	SD-52025-001

EU RoHS

RoHS Compliant by Exemption
REACH SVHC
Contains SVHC: No
Low-Halogen Status
Not Low-Halogen

China RoHS



Need more information on product environmental compliance?

Email productcompliance@molex.com
 For a multiple part number RoHS Certificate of Compliance, [click here](#)

Please visit the [Contact Us](#) section for any non-product compliance questions.

Search Parts in this Series

[52025Series](#)

Mates With

[51010 Receptacle Housing](#)

Use With

[5558](#)