

## Series 801 Cordsets For Harsh Environments



Overmolded Cordset

Glenair's "Mighty Mouse" overmolded cordsets offer watertight sealing and excellent cold temperature flexibility. These cables are 100% tested and ready to use. Standard overmolded cables feature polyurethane jackets with flexible strain reliefs.

**Two Jacket Types** – standard extruded Estane polyurethane jacket resists abrasion and chemicals. Or choose low smoke / zero halogen polyurethane jackets for compliance with low toxicity regulations.

**Shielded** – These cables feature 90% tinned copper braid coverage. Shields are terminated directly to connectors with **BAND-IT®** straps.

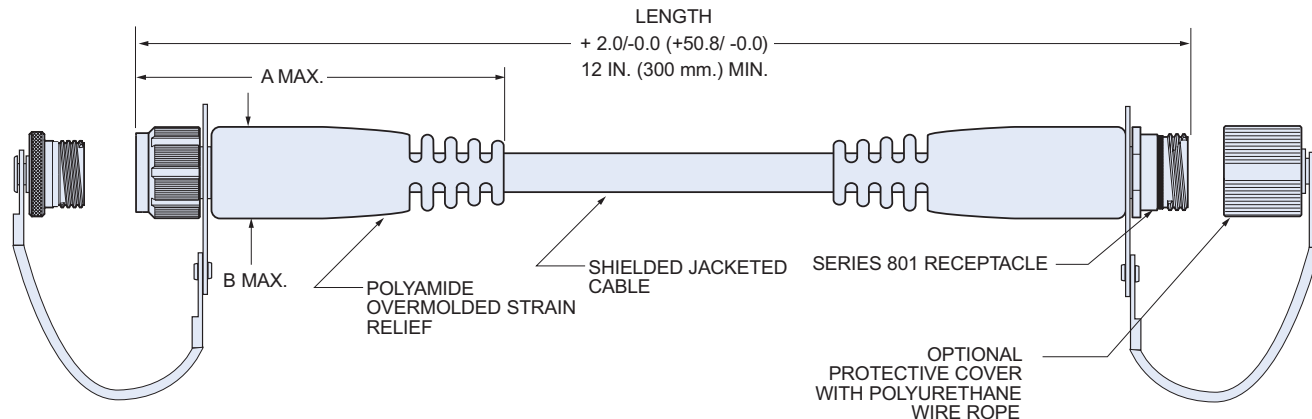
**Simplified Ordering, No Minimums**  
ASAP cordsets are made-to-order from stocked connectors and cable. Choose #22 or #24 AWG cable with standard Estane jacket for best availability.

### HOW TO ORDER

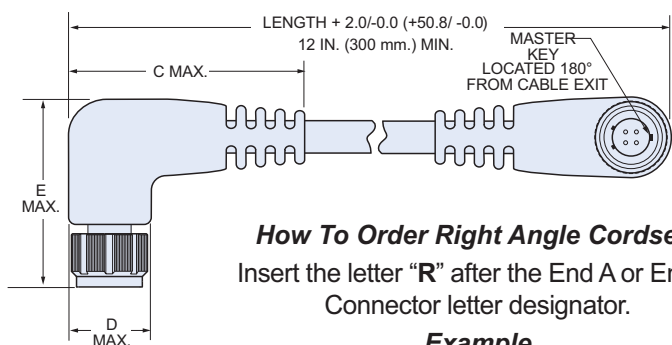
Sample Part Number

| 801-025  | -A  | C  | 4                   | M   | 7-10   | P                                     | A                       | -72                      |  |
|--|---|--|---------------------|---|--|---------------------------------------|-------------------------|--------------------------|--|
| Series   | End A Connector                               | End B Connector                              | Wire Size           | Shell Material / Finish                               | Insert Arr.  | Protective Cover                      | Shell Key Pos.          | Length                   |  |
| 801-025<br>Overmolded Cordset,<br>Shielded, with Polyurethane Cable Jacket                   | -A<br>Plug, with Male Pin Contacts            | A<br>Plug, with Male Pin Contacts            | 2<br>#22 AWG (Std.) | C<br>Aluminum / Black Anodize                         | 5-3 3 #23<br>6-4 4 #23<br>6-7 7 #23                          | P<br>Metal Protective Covers Included | A<br>Normal             | Overall Length In Inches |  |
|  | -B<br>Plug, with Female Socket Contacts       | B<br>Plug, with Female Socket Contacts       | 4<br>#24 AWG (Std.) | M<br>Aluminum / Electroless Nickel                    | 7-10 10 #23<br>8-13 13 #23<br>9-19 19 #23                    |                                       | B<br>Pos. B             | 12 Inch Min.             |  |
|  | -C<br>Receptacle, with Male Pin Contacts      | C<br>Receptacle, with Male Pin Contacts      | 6<br>#26 AWG        | NF<br>Aluminum / Cadmium with Olive Drab Chromate     | 10-26 26 #23<br>13-37 37 #23<br>16-55 55 #23<br>17-85 85 #23 |                                       | N<br>No Covers Supplied | C<br>Pos. C              |  |
|  | -D<br>Receptacle, with Female Socket Contacts | D<br>Receptacle, with Female Socket Contacts | 8<br>#28 AWG        | ZN<br>Aluminum / Zinc-Nickel with Olive Drab Chromate |  |                                       |                         | D<br>Pos. D              |  |
| 801-026<br>Overmolded Cordset,<br>Shielded, with Low Smoke/ Zero Halogen Polyurethane Jacket |   | N<br>No Connector (Single-Ended)             |                     | ZNU<br>Aluminum / Zinc-Nickel with Black Chromate     |  |                                       |                         |                          |  |
|  |   |  |                     | Z1<br>Stainless Steel / Passivated                    |  |                                       |                         |                          |  |

## Series 801 "Mighty Mouse" Double-Start ACME Thread



### RIGHT ANGLE CORDSETS



#### How To Order Right Angle Cordsets

Insert the letter "R" after the End A or End B Connector letter designator.

#### Example

Straight cable 801-025-AC4Z16-4PA-72  
Right Angle 801-025-ARCR4Z16-4PA-72

### DIMENSIONS

| Shell Size | A Max. |       | B Max. |       | C Max. |       | D Max. |       | E Max. |       |
|------------|--------|-------|--------|-------|--------|-------|--------|-------|--------|-------|
|            | In.    | mm.   | In.    | mm.   | In.    | mm.   | In.    | mm.   | In.    | mm.   |
| 5          | 2.000  | 50.80 | .490   | 12.45 | 1.500  | 38.10 | .490   | 12.45 | 1.650  | 41.91 |
| 6          | 2.500  | 63.50 | .560   | 14.22 | 1.500  | 38.10 | .560   | 14.22 | 1.650  | 41.91 |
| 7          | 2.500  | 63.50 | .680   | 17.27 | 1.700  | 43.18 | .680   | 17.27 | 1.700  | 43.18 |
| 8          | 2.500  | 63.50 | .740   | 18.80 | 1.750  | 44.45 | .740   | 18.80 | 1.750  | 44.45 |
| 9          | 2.500  | 63.50 | .810   | 20.57 | 1.750  | 44.45 | .810   | 20.57 | 1.750  | 44.45 |
| 10         | 2.750  | 69.85 | .870   | 22.10 | 1.750  | 44.45 | .870   | 22.10 | 1.750  | 44.45 |
| 13         | 3.000  | 76.20 | .930   | 23.62 | 1.750  | 44.45 | .930   | 23.62 | 1.750  | 44.45 |
| 16         | 3.500  | 88.90 | 1.120  | 28.45 | 1.750  | 44.50 | 1.120  | 28.45 | 1.750  | 44.45 |
| 17         | 3.750  | 95.25 | 1.180  | 29.97 | 2.000  | 50.80 | 1.180  | 29.97 | 2.000  | 50.80 |

### SERIES 801 HARSH ENVIRONMENT CORDSET SPECIFICATIONS

|  |  |
|--|--|
| Cable Jacket Material                          | Thermoplastic Polyurethane, Black, UL 94 V-0 Rated   |
| Cable Shield                                   | Tin-Coated Copper Braid, 90% Minimum Coverage  |
| Conductors                                     | Silver Coated Stranded Wire, TFE Insulated, Per M22759/11  |
| <b>BAND-IT®</b> Shield Termination Band        | Stainless Steel  |
| Current Rating                                 | Up to 5 AMP Continuous Duty With #22 AWG Wire  |
| Test Voltage (Dielectric Withstanding Voltage) | 500 VAC RMS sea level, 100 VAC RMS 70,000 feet   |
| Insulation Resistance                          | 200 megohms minimum  |
| Operating Temperature                          | -30° C. to +105° C.  |
| Immersion                                      | 1 meter water immersion for 1 Hour per MIL-STD-810 Method 512  |
| Solvent Resistance, Polyamide Overmold         | Excellent Resistance to Most Solvents, Fuels, and Oils; Poor Resistance to Strong Acids and Bipolar Solvents (Alcohol) |
| Electrical Resistance                          | (8 Milliohms Mated Contacts) + (Wire Resistance)   |
| Shielding Effectiveness                        | 50 dB minimum from 100MHz to 1000MHz.  |
| Flammability and Toxicity (LSZH Jacket)        | Toxicity Index 3.9 per NES 713<br>Oxygen Index 28% per ASTM D-2863<br>Smoke Index 24 per NES 711                       |