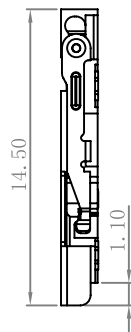
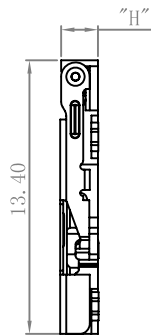
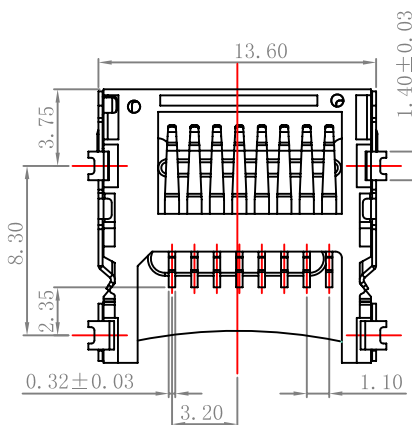


SLIDE SHELL OPEN



SLIDE SHELL LOCK

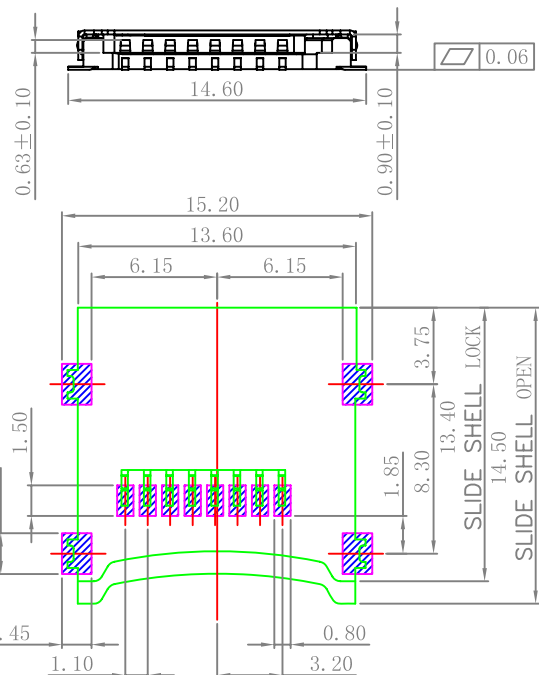


**MATERIALS**

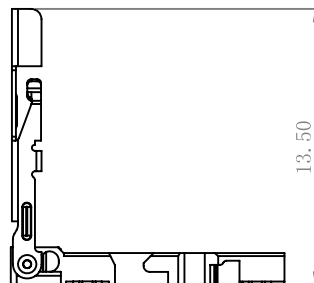
- HOUSING : THERMOPLASTIC LCP S475+30%GF, UL94 V-0.
- TERMINAL : COPPER ALLOY, C5191R-EH, T=0.15mm.  
PLATING : 3u" AU PLATED ON CONTACT AREA,  
80u"~120u" PLATED ON SOLDER TAILS,  
50u"~80u" NICKEL PLATED OVERALL.
- SHELL : SUS304-1/2H, T=0.20mm.
- SOLDER : C5191R-EH, T=0.15mm.  
PLATING : 80u"~120u" PLATED ON SOLDER TAILS,  
50u"~80u" NICKEL PLATED OVERALL.

**SPECIFICATION**

- CURRENT RATING : 0.5 A. MAX.
- VOLTAGE RATING : 5V.
- DIELECTRIC WITHSTANDING VOLTAGE :  
250V AC R. M. S. FOR 1 MINUTE.
- INSULATION RESISTANCE : 500MΩ MIN. AT 5V DC.
- CONTACT RESISTANCE : 100mΩ MAX.
- OPERATING TEMPERATURE : -20° C TO +85° C.
- DURABILITY: 5000 CYCLES.



RECOMMEND PCB LAYOUT  
TOLERANCE: ±0.05  
TOP VIEW



PART NO.	H=?
HYC40-TF08-150	1.5
HYC39-TF08-180	1.8

PIN NO.		PIN NO.	
PIN5	CLK		
PIN4	VDD		
PIN3	CMD	PIN8	DAT1
PIN2	CD/DAT3	PIN7	DAT0
PIN1	DAT2	PIN6	VSS

**Bill Of Materials:**

No.	TITLE	MATERIAL	FINISH(OR COLOR)	QT'Y
1	HOUSING	LCP S475+30%GF, UL94 V-0	黑色	1
2	SHELL	SUS 304-1/2H	清洗除油(不电镀)	1
3	TERMINAL	C5191R-EH	接触点镀金3u", 焊脚镀锡80u"-120u"	1SET
4	SOLDER	C5191R-EH	雾锡 80u"-120u"	1SET

**DESCRIPTION OF PLATING ON TERMINALS**

NO.	EXPLAIN	NO.	EXPLAIN
0	GOLD FLASH	3	GOLD 15u''
1	GOLD 5u''	4	GOLD 20u''
2	GOLD 10u''	6	GOLD 30u''



深圳市华宇创精密电子有限公司

<b>TOLERANCE:</b> X.X ±0.30 X.XX ±0.25 X.XXX ±0.15 X' ±2' X.X' ±0.5'	<b>DRAWN BY :</b> 陈一鸣	<b>DATE :</b> 2014-02-23	<b>PART NAME:</b> TF 掀盖	
	<b>CHECKED BY:</b> 马跃	<b>DATE :</b> 2014-02-23	<b>PART NO.</b> SEE TABLE	<b>MOLD NO.</b> 
<b>UNIT:</b> mm [inch]	<b>APPROVED BY:</b> 邱国夷	<b>DATE :</b> 2014-02-23	<b>DRAW NO:</b> HYC-TF16052815	<b>SHEET NO.</b> 1 OF 1
<b>SCALE:</b> 1:1	<b>SIZE:</b> A4			