



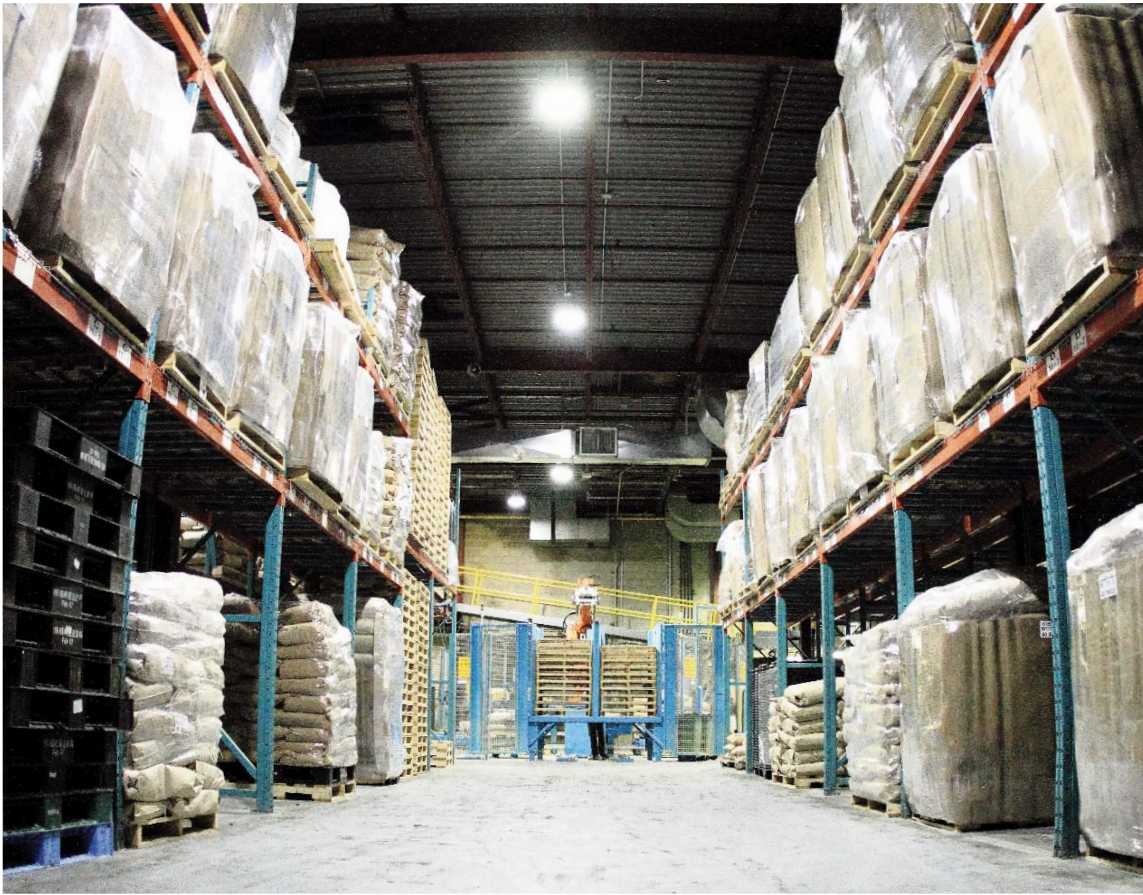
Patent Pending

**DuroSite® Series LED High Bay**  
for Indoor and Outdoor Industrial Applications





# DuroSite® Series LED High Bay



## Features & Benefits

- L70 rated for > 100,000 hours @ 25°C ambient
- 5 year full performance warranty
- Up to 101lm/W
- Significant energy savings
- Instant on/off
- Maintenance free
- Mercury free
- No UV or IR
- Produces minimal heat compared to traditional fixtures
- Reflector based optics for precise light control
- Resistant to shock and vibration
- Temperature compensation technology for long life
- Copper free aluminum
- Typical payback < 2 years



**Rockline Industries**  
Manufacturing Facility



**MMD Shipping**  
Cold Storage Facility



**MedSafe**  
Warehouse Facility

## Typical Applications

- Food and Beverage
- Heavy Industrial
- Manufacturing
- Pulp and Paper
- Fuel Pump Canopy
- Cold Storage
- Warehouse



Significantly smaller than traditional High Bay fixtures

View the full case studies at:

**G.S. Dunn Limited** - [www.dialight.com/news/details/gsdunn\\_case\\_study](http://www.dialight.com/news/details/gsdunn_case_study)

**Rockline Industries** - [www.dialight.com/news/details/rockline\\_case\\_study](http://www.dialight.com/news/details/rockline_case_study)

**MedSafe** - [www.dialight.com/news/details/medsafe\\_case\\_study](http://www.dialight.com/news/details/medsafe_case_study)

**Kuehne + Nagel** - [www.dialight.com/news/details/kuehne\\_nagel\\_case\\_study](http://www.dialight.com/news/details/kuehne_nagel_case_study)

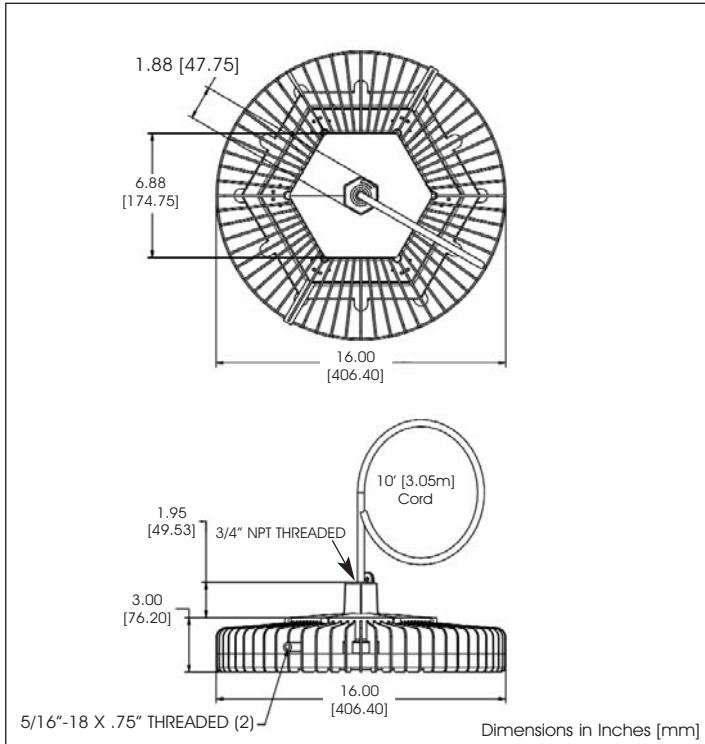
**MMD Shipping** - [www.dialight.com/news/details/mmd\\_shipping](http://www.dialight.com/news/details/mmd_shipping)

Complete your own Return on Investment calculation at: [www.dialight.com/tcoCalculator/Durosite\\_HighBay](http://www.dialight.com/tcoCalculator/Durosite_HighBay)





## DuroSite® LED High Bay Fixture



### Certifications & Ratings

- UL-1598 (acrylic lens models)
- UL-1598A (polycarbonate lens and tempered glass)
- CSA 22 #250
- FCC Title 47
- NEMA - 4X
- IP-66
- Dark Sky Compliant

### Application:

Dialight's DuroSite® LED High Bay fixture was designed specifically to replace conventional lighting in a wide variety of industrial applications; both indoor and outdoor. Its low profile light weight design and versatile mounting options make it ideal for many applications such as warehouse, garage, aisle, cold storage, bridge, tunnel and general area lighting.

All of Dialight's long life LED luminaires are designed to meet the most demanding specification criteria while offering maximum energy savings, reduced maintenance costs, and a superior quality of light.

### Mechanical Information

|                  |   |
|------------------|---|
| Fixture Weight:  | 17 lbs (7.7 kg)                         |
| Shipping Weight: | 23 lbs (10.43 kg)                       |
| Mounting:        | (1) 3/4" NPT<br>(2) 5/16"-18 x .75" UNC |
| Cabling:         | 10' (3.5m) SOOW Power Cord              |

### Electrical specifications

|                    |  |
|--------------------|--|
| Operating Voltage: | 100 – 277V AC for models up to 12,000lm<br>120 – 277V AC for 14,500lm & 17,500lm |
|--------------------|--|

|                                 |                                  |
|---------------------------------|----------------------------------|
| Total System Power Consumption: | See table                        |
| Operating Temp:                 | -40°F to +149°F (-40°C to +65°C) |

|            |               |
|------------|---------------|
| Harmonics: | IEC 61000-3-2 |
|------------|---------------|

|                       |  |
|-----------------------|--|
| Transient Protection: | 1 kV line to line<br>2 kV line to ground |
|-----------------------|--|

|               |       |
|---------------|-------|
| Power Factor: | > 0.9 |
|---------------|-------|

|         |                        |
|---------|------------------------|
| Fusing: | Internal on black wire |
|---------|------------------------|

### Construction

|          |  |
|----------|--|
| Housing: | Powder coated aluminum   |
| Finish:  | Polyester / epoxy powder coat gray RAL 7040 for superior corrosion resistance                                      |
| Lens:    | Acrylic - UL1598 dry location<br>Polycarbonate - UL1598A wet location<br>Polycarbonate dome lens<br>Tempered glass |

### Photometric Information

|      |   |
|------|---|
| CRI: | 72  |
| CCT: | 5,650K (cool white)<br>4,300K (neutral white) |

All values typical unless otherwise stated

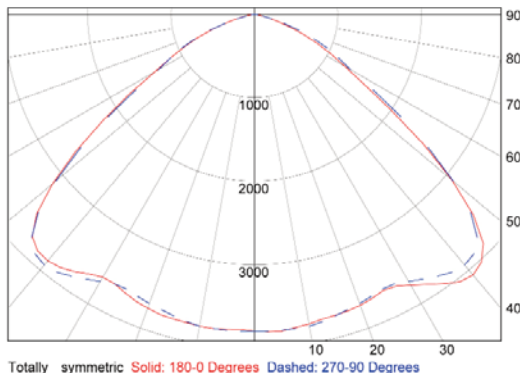


Meets Buy American

For projects requiring Buy American certification, consult factory for additional information and details

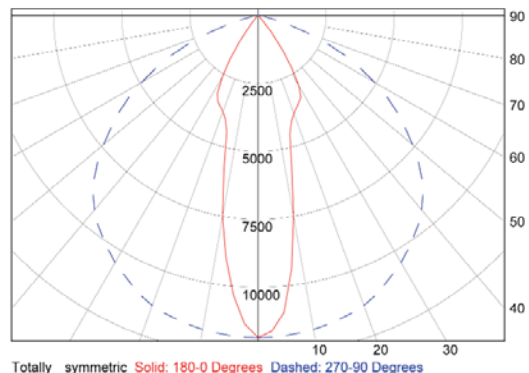
## Candela Plots

### Circular Pattern



Totally symmetric Solid: 180-0 Degrees Dashed: 270-90 Degrees

### Aisle Pattern

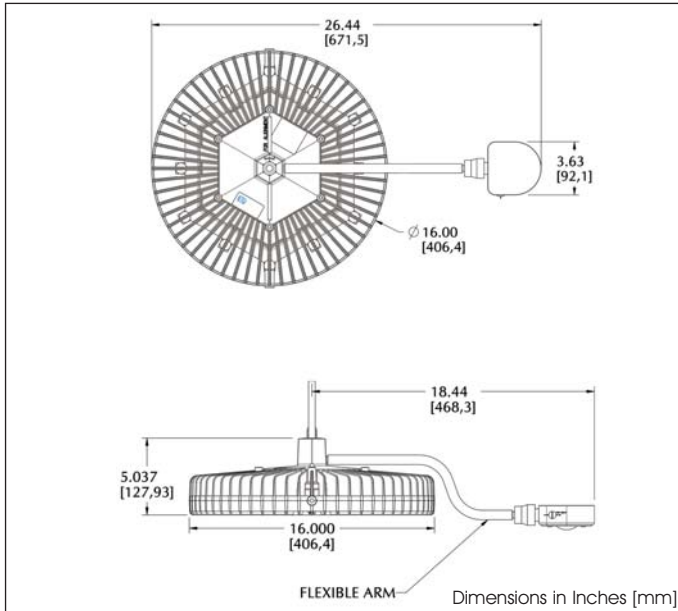
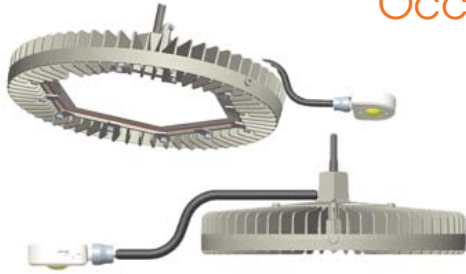


Totally symmetric Solid: 180-0 Degrees Dashed: 270-90 Degrees

Examples shown are 11,500 lumen models, HB6C4M - aisle pattern and HB2C4M - circular

# DuroSite® LED High Bay Fixture Options

## Occupancy Sensor Version



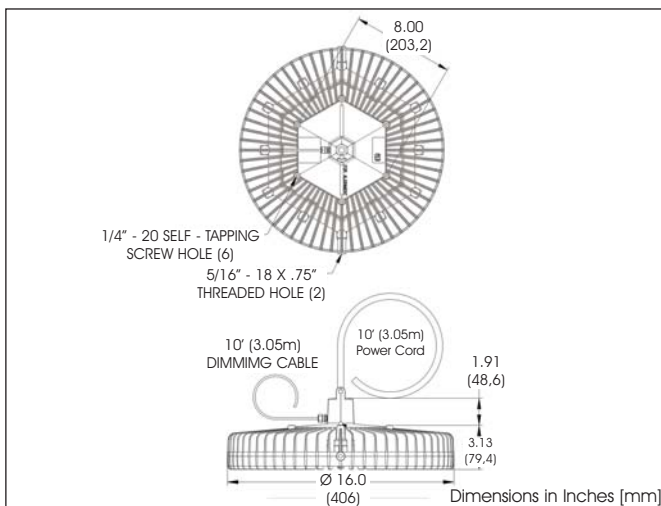
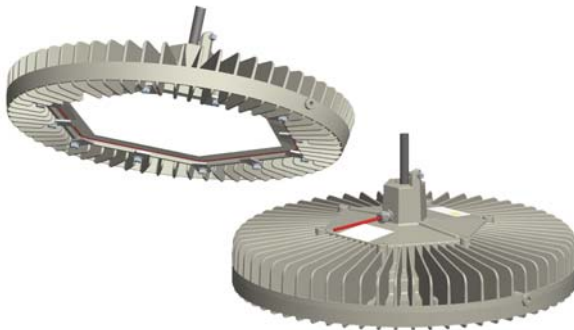
Mechanical, Electrical and Photometric information is the same as on page 3 except where detail is provided

|                       |  |
|-----------------------|--|
| Fixture Weight:       | 19lbs (11.34kg)  |
| Container Weight:     | 25lbs (8.62kg)   |
| Sensor Mounting:      | Attached to the base of the neck using a semi-rigid flexible conduit   |
| Occupancy Sensor:     | Dry location Leviton OSFHU - CTW (120 - 347V AC) or C4W (480V AC)<br>Wet location Wattstopper HB350W (120 - 347V AC) or HB340W (480V AC) |
| Sensor Timing:        | 30 seconds to 20 minutes   |
| Sensor Lens Options:  | Comes complete with interchangeable lenses for multiple mounting heights   |
| Operating Temperature |  |
| Leviton models:       | -14°F to +149°F (-10°C to +65°C)   |
| Wattstopper models:   | -40°F to +149°F (-40°C to +65°C)   |

### Features and Benefits

- No additional electrical connections required for installation
- Flexible conduit permitting the positioning of the occupancy sensor for optimal coverage
- Interchangeable sensor lens for high bay, low bay, or aisle applications

## Variable Dimming (0-10 VDC) & STEP Dimming



Mechanical, Electrical and Photometric information is the same as on page 3 except where detail is provided

|                           |  |
|---------------------------|--|
| Variable Dimming Cable:   | Two conductor cable                                      |
| Power Cable:              | Three conductor cable                                    |
| Dimming Cable Position:   | Side of the neck through a cable gland                   |
| Variable Dimming Control: | 0-10 V DC active   |
| Dimming Range:            | 10 V DC = 100% light output<br>0 V DC = 15% light output |

### Features and Benefits

- 10' plenum rated dimming control cable pre-installed
- Dimming cabling independent of fixture wiring
- Multiple High Bays can be connected to the same dimmer
- May also be configured to operate in a single STEP Dimming configuration

### STEP Dimming Mode

The variable dimming High Bays may also be configured to operate in a single STEP Dimming configuration. When the dimming control conductors are connected together, the light output will be reduced to approximately 15% of the maximum light output. The total fixture power consumption will also be reduced to approximately 20% (30 W). Connecting the leads together can be accomplished with a common wall switch.

# DuroSite® Series LED High Bay Fixture

## Ordering Information

| Part Number <sup>1,4</sup>                          | Initial Fixture Lumens <sup>2</sup> | Wattage | Lumens Per Watt | UL-1598A<br>IP-66, NEMA - 4X<br>CSA 22.2 #250<br>Marine Wet Locations <sup>3</sup> | Lens <sup>5</sup> |               | Optical Pattern |       |
|---|-------------------------------------|---------|-----------------|--|-------------------|---------------|-----------------|-------|
|   |                                     |         |                 |  | Clear             | Diffused      | Circular        | Aisle |
| HBGCMF  | 17,500                              | 172     | 101             | •  | Tempered Glass    |               | •               |       |
| HBGC4P  | 14,500                              | 161     | 90              | •  | Tempered Glass    |               | •               |       |
| HB2C4P  | 12,000                              | 153     | 78              | •  | Polycarbonate     |               | •               |       |
| HB0C4P  | 11,500                              | 153     | 75              | •  |                   | Polycarbonate | •               |       |
| HB1C4N  | 11,500                              | 146     | 79              |  | Acrylic           |               | •               |       |
| HB6C4M  | 11,500                              | 146     | 79              |  | Acrylic           |               |                 | •     |
| HB1C4J  | 11,000                              | 146     | 76              |  | Acrylic           |               | •               |       |
| HB2C4M  | 10,750                              | 146     | 73              | •  | Polycarbonate     |               | •               |       |
| HB5C4M  | 10,750                              | 146     | 74              |  |                   | Acrylic       | •               |       |
| HB5C4T  | 10,750                              | 146     | 74              |  |                   | Acrylic       | •               |       |
| HB2C4K  | 10,500                              | 146     | 73              | •  | Polycarbonate     |               | •               |       |
| HB7C4M  | 10,500                              | 146     | 72              | •  | Polycarbonate     |               |                 | •     |
| HB5C4J  | 10,500                              | 137     | 77              |  |                   | Acrylic       | •               |       |
| HB1C4S  | 10,500                              | 137     | 77              |  | Acrylic           |               | •               |       |
| HB3C4L  | 9,000                               | 124     | 72              |  |                   | Acrylic       | •               |       |
| HBWC4L  | 8,750                               | 135     | 65              | •  |                   | Polycarbonate | •               |       |
| HB4C4L  | 8,500                               | 124     | 69              | •  |                   | Polycarbonate | •               |       |
| <b>Occupancy Sensor High Bays</b>                   |                                     |         |                 |  |                   |               |                 |       |
| HBGCQZ  | 17,500                              | 172     | 101             | •  | Tempered Glass    |               | •               |       |
| HBGC1T  | 14,500                              | 161     | 90              | •  | Tempered Glass    |               | •               |       |
| HB1C4T  | 11,500                              | 146     | 79              |  | Acrylic           |               | •               |       |
| HB6C4T  | 11,500                              | 146     | 78              |  | Acrylic           |               |                 | •     |
| HB1C4S  | 11,000                              | 146     | 76              |  | Acrylic           |               | •               |       |
| HB5C4S  | 10,500                              | 137     | 77              |  |                   | Acrylic       | •               |       |
| HB2C4T  | 10,500                              | 146     | 73              | •  | Polycarbonate     |               | •               |       |
| HB7C1T  | 10,250                              | 146     | 72              | •  | Polycarbonate     |               |                 | •     |
| HB3C4R  | 9,000                               | 124     | 72              |  |                   | Acrylic       | •               |       |
| <b>Variable Dimming High Bays</b>                   |                                     |         |                 |  |                   |               |                 |       |
| HBGCMZ  | 17,500                              | 172     | 101             | •  | Tempered Glass    |               | •               |       |
| HBGC4Z  | 14,500                              | 161     | 90              |  | Tempered Glass    |               | •               |       |
| HB1C4Y  | 11,500                              | 146     | 79              |  | Acrylic           |               | •               |       |
| HB6C4Y  | 11,500                              | 146     | 78              |  | Acrylic           |               |                 | •     |
| HB5C4Y  | 10,750                              | 146     | 74              |  |                   | Acrylic       | •               |       |
| HB7C4Y  | 10,500                              | 146     | 72              | •  | Polycarbonate     |               |                 | •     |
| HB2C4Y  | 10,250                              | 146     | 70              | •  | Polycarbonate     |               | •               |       |
| HB2C4X  | 10,000                              | 137     | 73              | •  | Polycarbonate     |               | •               |       |
| HB3C4W  | 9,000                               | 124     | 72              |  |                   | Acrylic       | •               |       |
| HB4C4W  | 8,500                               | 124     | 69              | •  |                   | Polycarbonate | •               |       |
| <b>STEP Dimming / Occupancy Sensor High Bay</b>     |                                     |         |                 |  |                   |               |                 |       |
| HBGCQQ  | 17,500                              | 172     | 101             | •  | Tempered Glass    |               | •               |       |
| HBGC1Q  | 14,500                              | 161     | 90              | •  | Tempered Glass    |               | •               |       |
| HB1C4H  | 11,500                              | 146     | 79              |  | Acrylic           |               | •               |       |
| <b>Variable Dimming / Occupancy Sensor High Bay</b> |                                     |         |                 |  |                   |               |                 |       |
| HB2C1H  | 10,250                              | 146     | 70              | •  | Polycarbonate     |               | •               |       |

Notes for all versions:

<sup>1</sup> Part numbers listed in the above table are cool white. For neutral white version replace the 4th character with N Ex: HB1C4N become HB1N4N.

<sup>2</sup> Initial fixture lumens based on temperatures up to 113°F (45°C).

<sup>3</sup> Units meet IP-66 when installed using conduit or an IP66 approved cable gland at the 3/4 NPT. Dialight offers IP-66 approved cable glands as part of accessories HBXW2 and HBXCG.


Notes for standard versions only:

<sup>4</sup> Part numbers listed in the table above are 100-277V AC. For 347-480V AC version replace the 5th character with a 5. EX: HB1C4N (100-277VAC) becomes HB1C5N (347-480V AC). For 17,500lm, 347-480V AC versions replace 5th character becomes a T. EX: HBGCMF (100-277V AC) becomes HBGC1P (347-480V AC).

<sup>5</sup> Part numbers listed in the tables above come with a flat lens. For models with polycarbonate flat lens they can be ordered with a polycarbonate dome lens; replace 3rd character with a L Ex: HB2C4M becomes HBLC4M.

# DuroSite® Series LED High Bay Fixture

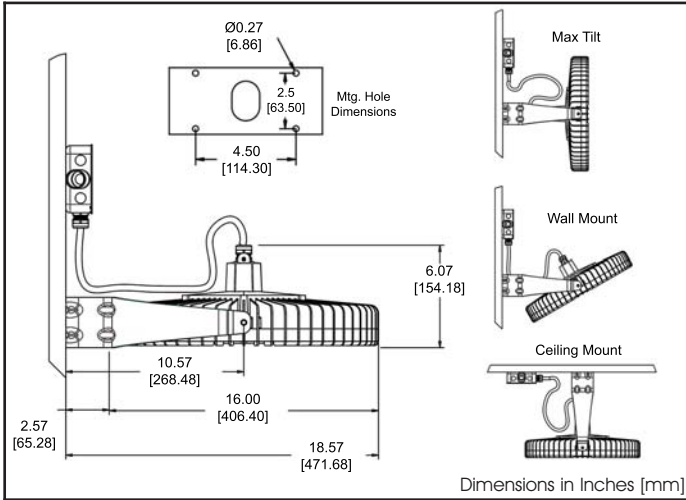
## Options and Accessories

|   | Part Number    | Description  | Kit Includes  |
|---|----------------|--|---|
|    | No Part Number | Pendant Mount<br>(Conduit supplied by installer)                                   | Conduit supplied by installer   |
|    | HBXW2          | Swivel Bracket and Cable Gland   | Swivel Bracket<br>Bracket to fixture hardware<br>Cable Gland (1/2")<br>Reducer (3/4" to 1/2") |
|    | HBXW3          | Swivel Bracket   | Swivel Bracket<br>Bracket to Fixture Hardware   |
|    | HBXCU          | Ceiling Mount  | Swivel Hanger Cover<br>3" Conduit Nipple  |
|    | HBXCG          | Cable Gland  | Cable Gland (1/2")<br>Reducer (3/4" to 1/2")  |
|   | HBXL           | Loop   | Hanger Loop<br>(GE LOOPM353)  |
|  | HBXH           | Hook   | Hanger Hook<br>(GE HOOKM353)  |
|  | HBXT2          | Junction Box with Transformer<br>347-480VAC to 240VAC                              | NEMA Box with<br>Integrated Transformer   |
|  | HBXLENGC       | Tempered Glass   | Lens, replacement clips, screws, gasket   |
|   | HBXLENAC       | Acrylic Lens, Clear  | Lens, replacement screws, gasket  |
|   | HBXLENAD       | Acrylic Lens, Diffused   |   |
|   | HBXLENPC       | Polycarbonate Lens, Clear  | Lens, replacement screws, gasket  |
|   | HBXLENDP       | Polycarbonate Lens, Diffused   |   |
|  | LBXLENP        | Dome Lens<br>(Use only on Polycarbonate lens models)                               | Lens, replacement screws, gasket  |
|  | HBXREF22       | 22" Acrylic Reflector<br>(Must be ordered with High Bay,<br>not a retrofit option) | Reflector, brackets, screws   |
|  | HBXDC          | Dust Cover   | Dust cover, clamp, spacer   |

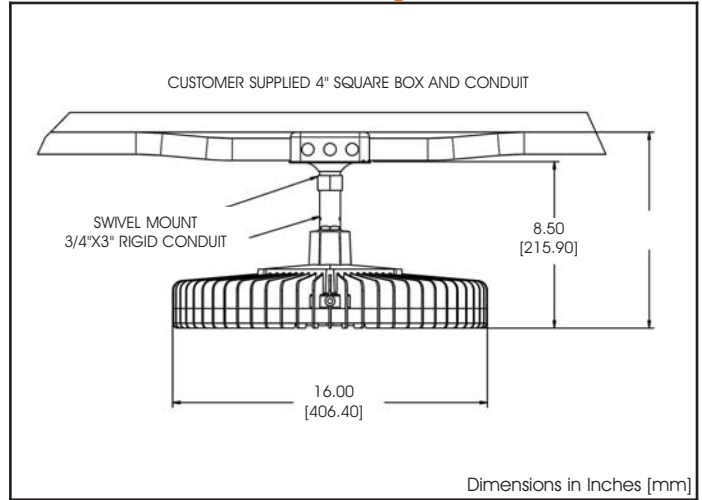
# DuroSite® Series LED High Bay Fixture

## Options and Accessories

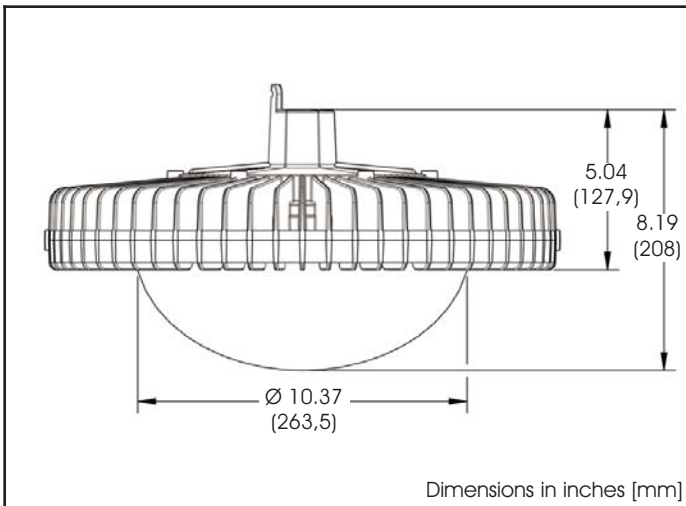
HBXW2 - Swivel Bracket and Cable Gland



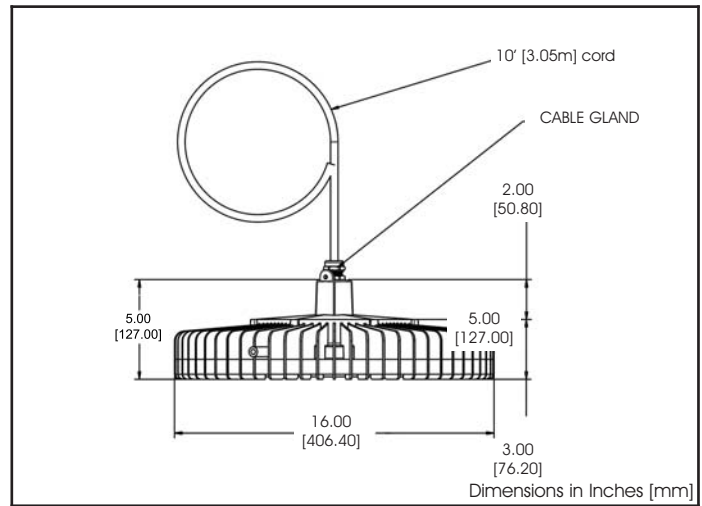
HBXCU - Ceiling Mount



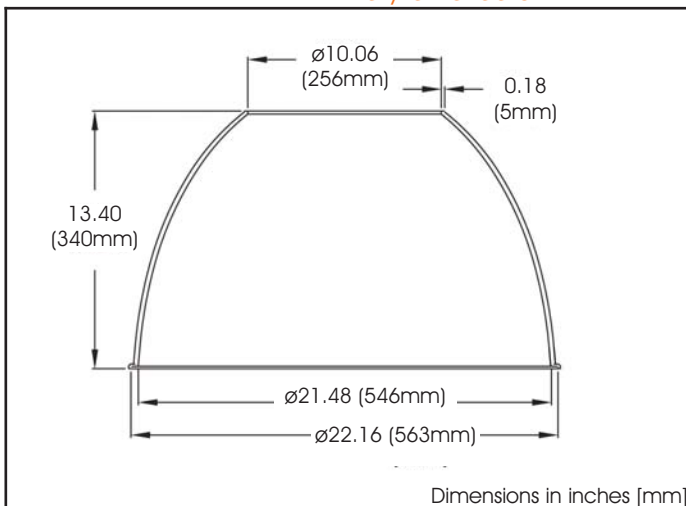
LBXLENP - Dome Lens



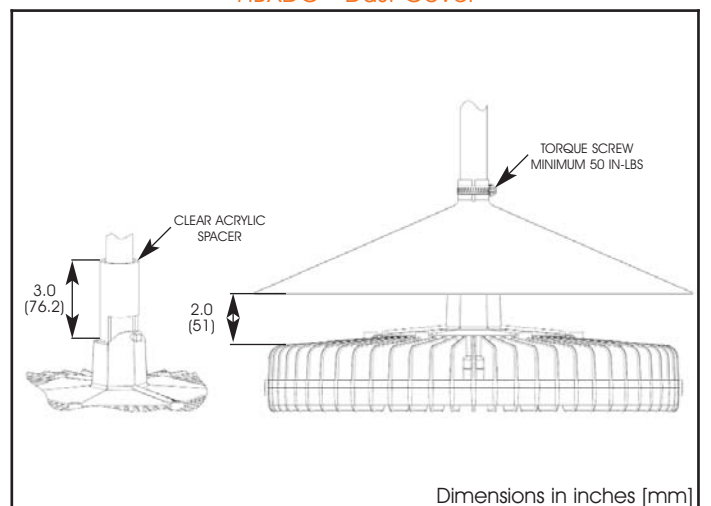
HBXCG - Cable Gland



HBXREF22 - 22" Acrylic Reflector



HBXDC - Dust Cover



Dialight reserves the right to make changes at any time in order to supply the best product possible. The most current version of this document will always be available at: [www.dialight.com/Assets/Brochures\\_And\\_Catalogs/Illumination/MDEXHBX001.pdf](http://www.dialight.com/Assets/Brochures_And_Catalogs/Illumination/MDEXHBX001.pdf)  
 Warranty Statement: EXCEPT FOR THE WARRANTY EXPRESSLY PROVIDED FOR [HEREIN/ABOVE/BELOW], DIALIGHT DISCLAIMS ANY AND ALL OTHER WARRANTIES, EXPRESS OR IMPLIED, INCLUDING, WITHOUT LIMITATION, ANY WARRANTIES OF MERCHANTABILITY, FITNESS FOR A PARTICULAR PURPOSE, TITLE, AND NONINFRINGEMENT.



# DuroSite® Series LED High Bay

for Indoor and Outdoor Industrial Applications

