

## Features

- High Performance, Low Power AVR<sup>®</sup> 8-bit Microcontroller
- Advanced RISC Architecture
  - 129 Powerful Instructions - Most Single Clock Cycle Execution
  - 32 x 8 General Purpose Working Registers
  - Fully Static Operation
  - Up to 1 MIPS throughput per MHz
  - On-chip 2-cycle Multiplier
- Data and Non-Volatile Program Memory
  - 16K Bytes Flash of In-System Programmable Program Memory
    - Endurance: 10,000 Write/Erase Cycles
  - Optional Boot Code Section with Independent Lock Bits
- In-System Programming by On-chip Boot Program
- True Read-While-Write Operation
  - 512 Bytes of In-System Programmable EEPROM
- Endurance: 100,000 Write/Erase Cycles
  - 1024 Bytes Internal SRAM
  - Programming Lock for Flash Program and EEPROM Data Security
- On Chip Debug Interface (debugWIRE)
- Peripheral Features
  - Two or three 12-bit High Speed PSC (Power Stage Controllers) with 4-bit Resolution Enhancement
    - Non Overlapping Inverted PWM Output Pins With Flexible Dead-Time
    - Variable PWM duty Cycle and Frequency
    - Synchronous Update of all PWM Registers
    - Auto Stop Function for Event Driven PFC Implementation
    - Less than 25 Hz Step Width at 150 kHz Output Frequency
    - PSC2 with four Output Pins and Output Matrix
  - One 8-bit General purpose Timer/Counter with Separate Prescaler and Capture Mode
  - One 16-bit General purpose Timer/Counter with Separate Prescaler, Compare Mode and Capture Mode
  - Programmable Serial USART
    - Standard UART mode
    - 16/17 bit Biphase Mode for DALI Communications
  - Master/Slave SPI Serial Interface
  - 10-bit ADC
    - Up To 11 Single Ended Channels and 2 Fully Differential ADC Channel Pairs
    - Programmable Gain (5x, 10x, 20x, 40x on Differential Channels)
    - Internal Reference Voltage
  - 10-bit DAC
  - Two or three Analog Comparator with Resistor-Array to Adjust Comparison Voltage
  - 4 External Interrupts
  - Programmable Watchdog Timer with Separate On-Chip Oscillator
- Special Microcontroller Features
  - Low Power Idle, Noise Reduction, and Power Down Modes
  - Power On Reset and Programmable Brown Out Detection
  - Flag Array in Bit-programmable I/O Space (4 bytes)



**8-bit AVR<sup>®</sup>  
Microcontroller  
with 16K Bytes  
In-System  
Programmable  
Flash**

**AT90PWM216  
AT90PWM316**

7710D-AVR-08/09



- In-System Programmable via SPI Port
- Internal Calibrated RC Oscillator ( 8 MHz)
- On-chip PLL for fast PWM ( 32 MHz, 64 MHz) and CPU (16 MHz)
- Operating Voltage: 2.7V - 5.5V
- Extended Operating Temperature:
  - -40°C to +105°C

Product	Package	12 bit PWM with deadtime	ADC Input	ADC Diff	Analog Compar	Application
AT90PWM216	SO24	2 x 2	8	1	2	One fluorescent ballast
AT90PWM316	SO32, QFN32	3 x 2	11	2	3	HID ballast, fluorescent ballast, Motor control

## 1. History

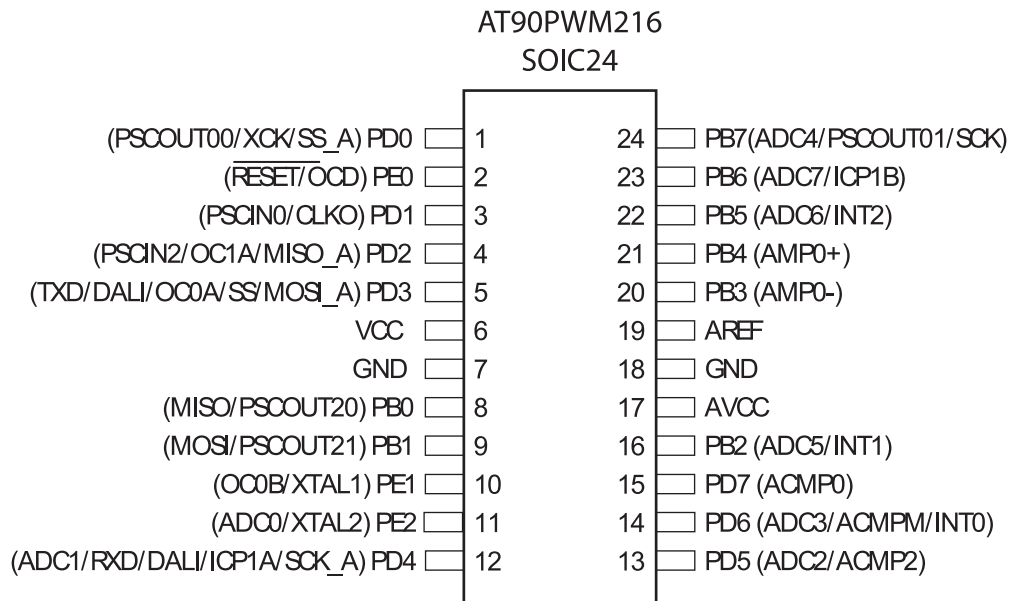
Product	Revision
AT90PWM216 AT90PWM316	First revision of parts

## 2. Disclaimer

Typical values contained in this datasheet are based on simulations and characterization of other AVR microcontrollers manufactured on the same process technology. Min and Max values will be available after the device is characterized.

## 3. Pin Configurations

**Figure 3-1.** SOIC 24-pin Package



**Figure 3-2.** SOIC 32-pin Package

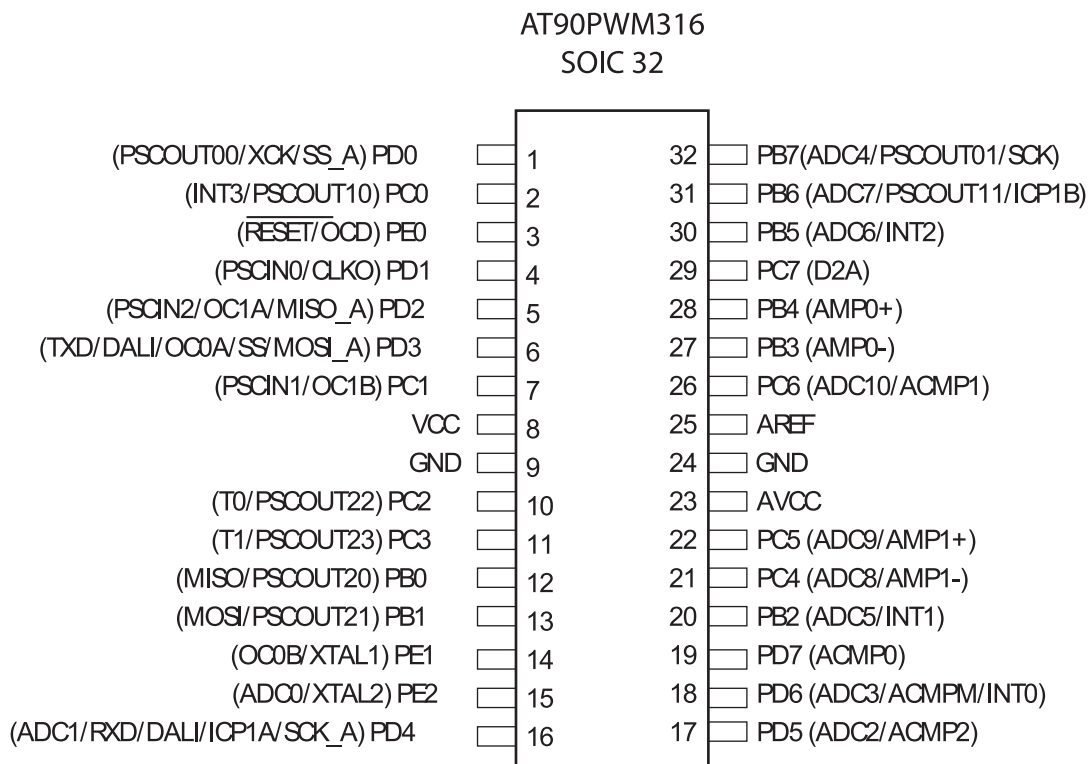
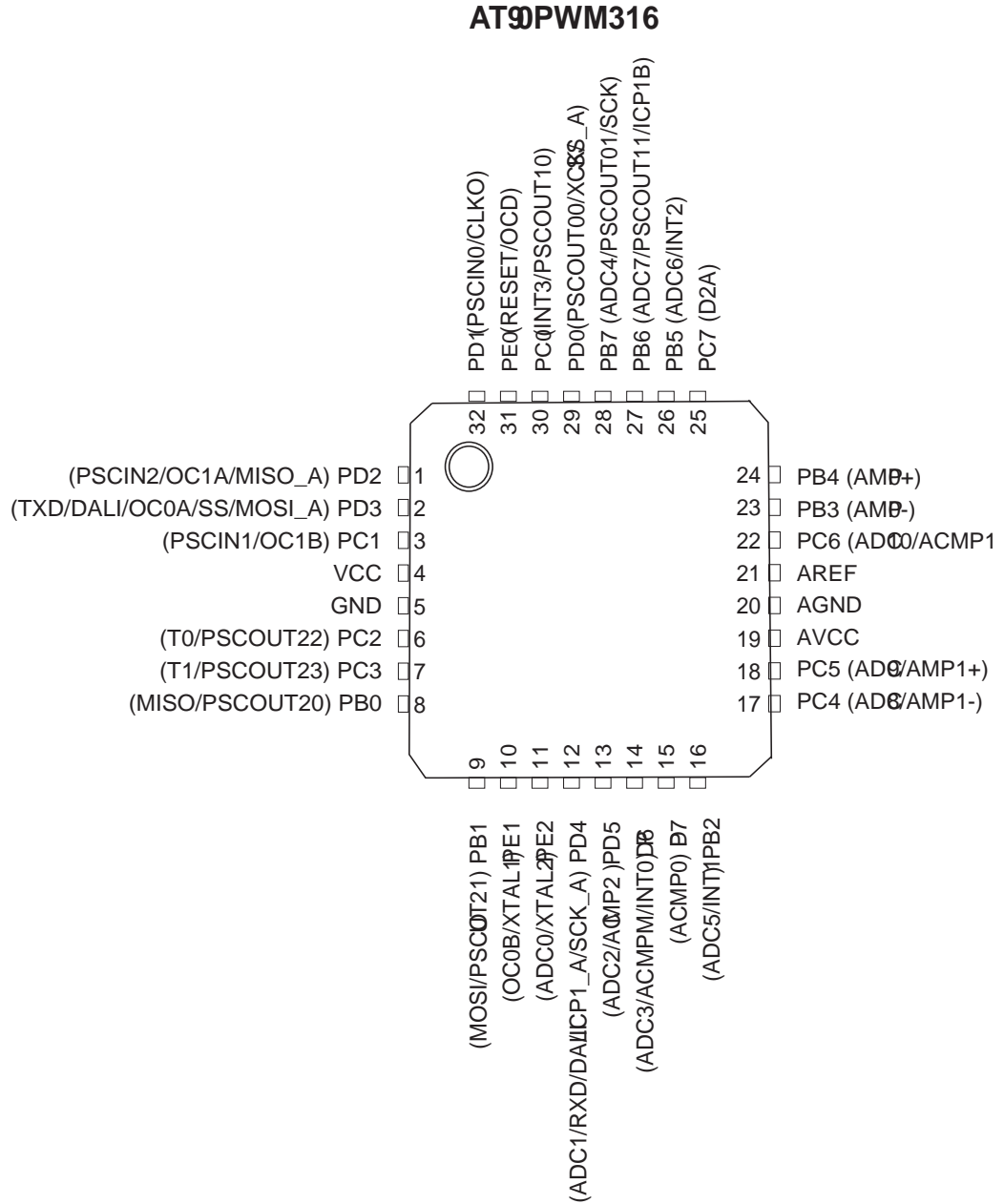


Figure 3-3. QFN32 (7\*7 mm) Package.



### 3.1 Pin Descriptions

Table 3-1. Pin out description

S024 Pin Number	SO32 Pin Number	QFN32 Pin Number	Mnemonic	Type	Name, Function & Alternate Function
7	9	5	GND	Power	<b>Ground:</b> 0V reference
18	24	20	AGND	Power	<b>Analog Ground:</b> 0V reference for analog part

**Table 3-1.** Pin out description (Continued)

S024 Pin Number	SO32 Pin Number	QFN32 Pin Number	Mnemonic	Type	Name, Function & Alternate Function
6	8	4	VCC	power	<b>Power Supply:</b>
17	23	19	AVCC	Power	<b>Analog Power Supply:</b> This is the power supply voltage for analog part For a normal use this pin must be connected.
19	25	21	AREF	Power	<b>Analog Reference :</b> reference for analog converter . This is the reference voltage of the A/D converter. As output, can be used by external analog
8	12	8	PBO	I/O	MISO (SPI Master In Slave Out) PSCOUT20 output
9	13	9	PB1	I/O	MOSI (SPI Master Out Slave In) PSCOUT21 output
16	20	16	PB2	I/O	ADC5 (Analog Input Channel5 ) INT1
20	27	23	PB3	I/O	AMP0- (Analog Differential Amplifier 0 Input Channel )
21	28	24	PB4	I/O	AMP0+ (Analog Differential Amplifier 0 Input Channel )
22	30	26	PB5	I/O	ADC6 (Analog Input Channel 6) INT 2
23	31	27	PB6	I/O	ADC7 (Analog Input Channel 7) ICP1B (Timer 1 input capture alternate input) PSCOUT11 output (see note 1)
24	32	28	PB7	I/O	PSCOUT01 output ADC4 (Analog Input Channel 4) SCK (SPI Clock)
NA	2	30	PC0	I/O	PSCOUT10 output (see note 1) INT3
	7	3	PC1	I/O	PSCIN1 (PSC 1 Digital Input) OC1B (Timer 1 Output Compare B)
	10	6	PC2	I/O	T0 (Timer 0 clock input) PSCOUT22 output
	11	7	PC3	I/O	T1 (Timer 1 clock input) PSCOUT23 output
	21	17	PC4	I/O	ADC8 (Analog Input Channel 8) AMP1- (Analog Differential Amplifier 1 Input Channel )
	22	18	PC5	I/O	ADC9 (Analog Input Channel 9) AMP1+ (Analog Differential Amplifier 1 Input Channel )
	26	22	PC6	I/O	ADC10 (Analog Input Channel 10) ACMP1 (Analog Comparator 1 Positive Input )
	29	25	PC7	I/O	D2A : DAC output

**Table 3-1.** Pin out description (Continued)

S024 Pin Number	SO32 Pin Number	QFN32 Pin Number	Mnemonic	Type	Name, Function & Alternate Function
1	1	29	PD0	I/O	PSCOUT00 output XCK (UART Transfer Clock) SS_A (Alternate SPI Slave Select)
3	4	32	PD1	I/O	PSCIN0 (PSC 0 Digital Input ) CLKO (System Clock Output)
4	5	1	PD2	I/O	PSCIN2 (PSC 2 Digital Input) OC1A (Timer 1 Output Compare A) MISO_A (Programming & alternate SPI Master In Slave Out)
5	6	2	PD3	I/O	TXD (Dali/UART Tx data) OC0A (Timer 0 Output Compare A) SS (SPI Slave Select) MOSI_A (Programming & alternate Master Out SPI Slave In)
12	16	12	PD4	I/O	ADC1 (Analog Input Channel 1) RXD (Dali/UART Rx data) ICP1A (Timer 1 input capture) SCK_A (Programming & alternate SPI Clock)
13	17	13	PD5	I/O	ADC2 (Analog Input Channel 2) ACMP2 (Analog Comparator 2 Positive Input )
14	18	14	PD6	I/O	ADC3 (Analog Input Channel 3 ) ACMPM reference for analog comparators INT0
15	19	15	PD7	I/O	ACMP0 (Analog Comparator 0 Positive Input )
2	3	31	PE0	I/O or I	RESET (Reset Input) OCD (On Chip Debug I/O)
10	14	10	PE1	I/O	XTAL1: XTAL Input OC0B (Timer 0 Output Compare B)
11	15	11	PE2	I/O	XTAL2: XTAL OuTput ADC0 (Analog Input Channel 0)

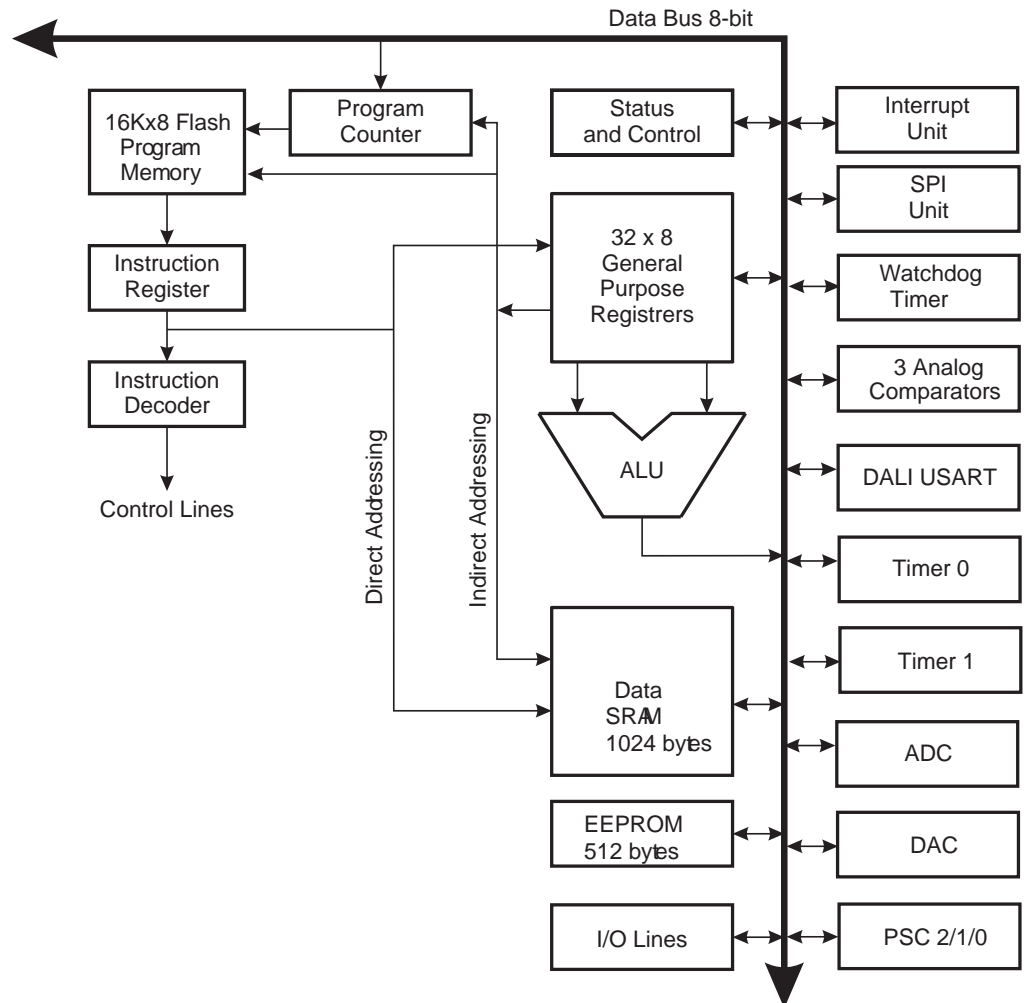
1. PSCOUT10 & PSCOUT11 are not present on 24 pins package

## 4. Overview

The AT90PWM216/316 is a low-power CMOS 8-bit microcontroller based on the AVR enhanced RISC architecture. By executing powerful instructions in a single clock cycle, the AT90PWM216/316 achieves throughputs approaching 1 MIPS per MHz allowing the system designer to optimize power consumption versus processing speed.

## 4.1 Block Diagram

Figure 4-1. Block Diagram



The AVR core combines a rich instruction set with 32 general purpose working registers. All the 32 registers are directly connected to the Arithmetic Logic Unit (ALU), allowing two independent registers to be accessed in one single instruction executed in one clock cycle. The resulting architecture is more code efficient while achieving throughputs up to ten times faster than conventional CISC microcontrollers.

The AT90PWM216/316 provides the following features: 16K bytes of In-System Programmable Flash with Read-While-Write capabilities, 512 bytes EEPROM, 1024 bytes SRAM, 53 general purpose I/O lines, 32 general purpose working registers, three Power Stage Controllers, two flexible Timer/Counters with compare modes and PWM, one USART with DALI mode, an 11-channel 10-bit ADC with two differential input stage with programmable gain, a 10-bit DAC, a programmable Watchdog Timer with Internal Oscillator, an SPI serial port, an On-chip Debug system and four software selectable power saving modes.

The Idle mode stops the CPU while allowing the SRAM, Timer/Counters, SPI ports and interrupt system to continue functioning. The Power-down mode saves the register contents but freezes the Oscillator, disabling all other chip functions until the next interrupt or Hardware Reset. The ADC Noise Reduction mode stops the CPU and all I/O modules except ADC, to minimize switching noise during ADC conversions. In Standby mode, the Crystal/Resonator Oscillator is running while the rest of the device is sleeping. This allows very fast start-up combined with low power consumption.

The device is manufactured using Atmel's high-density nonvolatile memory technology. The On-chip ISP Flash allows the program memory to be reprogrammed in-system through an SPI serial interface, by a conventional nonvolatile memory programmer, or by an On-chip Boot program running on the AVR core. The boot program can use any interface to download the application program in the application Flash memory. Software in the Boot Flash section will continue to run while the Application Flash section is updated, providing true Read-While-Write operation. By combining an 8-bit RISC CPU with In-System Self-Programmable Flash on a monolithic chip, the Atmel AT90PWM216/316 is a powerful microcontroller that provides a highly flexible and cost effective solution to many embedded control applications.

The AT90PWM216/316 AVR is supported with a full suite of program and system development tools including: C compilers, macro assemblers, program debugger/simulators, in-circuit emulators, and evaluation kits.

## 4.2 Pin Descriptions

### 4.2.1 VCC

Digital supply voltage.

### 4.2.2 GND

Ground.

### 4.2.3 Port B (PB7..PB0)

Port B is an 8-bit bi-directional I/O port with internal pull-up resistors (selected for each bit). The Port B output buffers have symmetrical drive characteristics with both high sink and source capability. As inputs, Port B pins that are externally pulled low will source current if the pull-up resistors are activated. The Port B pins are tri-stated when a reset condition becomes active, even if the clock is not running.

Port B also serves the functions of various special features of the AT90PWM216/316 as listed on [page 67](#).

### 4.2.4 Port C (PC7..PC0)

Port C is an 8-bit bi-directional I/O port with internal pull-up resistors (selected for each bit). The Port C output buffers have symmetrical drive characteristics with both high sink and source capability. As inputs, Port C pins that are externally pulled low will source current if the pull-up resistors are activated. The Port C pins are tri-stated when a reset condition becomes active, even if the clock is not running.

Port C is not available on 24 pins package.

Port C also serves the functions of special features of the AT90PWM216/316 as listed on [page 70](#).



#### 4.2.5 Port D (PD7..PD0)

Port D is an 8-bit bi-directional I/O port with internal pull-up resistors (selected for each bit). The Port D output buffers have symmetrical drive characteristics with both high sink and source capability. As inputs, Port D pins that are externally pulled low will source current if the pull-up resistors are activated. The Port D pins are tri-stated when a reset condition becomes active, even if the clock is not running.

Port D also serves the functions of various special features of the AT90PWM216/316 as listed on [page 73](#).

#### 4.2.6 Port E (PE2..0) $\overline{\text{RESET}}$ /XTAL1/ XTAL2

Port E is an 3-bit bi-directional I/O port with internal pull-up resistors (selected for each bit). The Port E output buffers have symmetrical drive characteristics with both high sink and source capability. As inputs, Port E pins that are externally pulled low will source current if the pull-up resistors are activated. The Port E pins are tri-stated when a reset condition becomes active, even if the clock is not running.

If the RSTDISBL Fuse is programmed, PE0 is used as an I/O pin. Note that the electrical characteristics of PE0 differ from those of the other pins of Port C.

If the RSTDISBL Fuse is unprogrammed, PE0 is used as a Reset input. A low level on this pin for longer than the minimum pulse length will generate a Reset, even if the clock is not running. The minimum pulse length is given in [Table 9-1 on page 45](#). Shorter pulses are not guaranteed to generate a Reset.

Depending on the clock selection fuse settings, PE1 can be used as input to the inverting Oscillator amplifier and input to the internal clock operating circuit.

Depending on the clock selection fuse settings, PE2 can be used as output from the inverting Oscillator amplifier.

The various special features of Port E are elaborated in [“Alternate Functions of Port E” on page 76](#) and [“Clock Systems and their Distribution” on page 28](#).

#### 4.2.7 AVCC

AVCC is the supply voltage pin for the A/D Converter. It should be externally connected to  $V_{CC}$ , even if the ADC is not used. If the ADC is used, it should be connected to  $V_{CC}$  through a low-pass filter.

#### 4.2.8 AREF

This is the analog reference pin for the A/D Converter.

### 4.3 About Code Examples

This documentation contains simple code examples that briefly show how to use various parts of the device. These code examples assume that the part specific header file is included before compilation. Be aware that not all C compiler vendors include bit definitions in the header files and interrupt handling in C is compiler dependent. Please confirm with the C compiler documentation for more details.

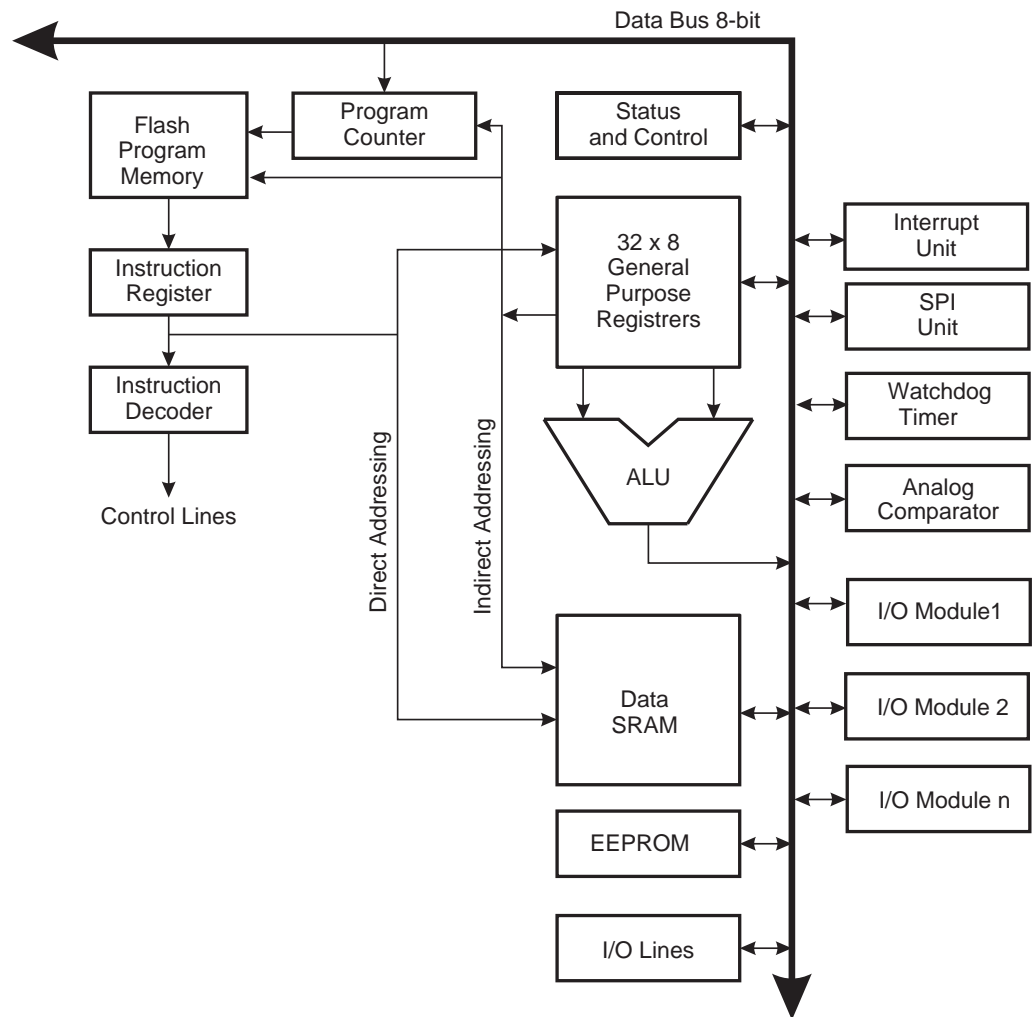
## 5. AVR CPU Core

### 5.1 Introduction

This section discusses the AVR core architecture in general. The main function of the CPU core is to ensure correct program execution. The CPU must therefore be able to access memories, perform calculations, control peripherals, and handle interrupts.

### 5.2 Architectural Overview

Figure 5-1. Block Diagram of the AVR Architecture



In order to maximize performance and parallelism, the AVR uses a Harvard architecture – with separate memories and buses for program and data. Instructions in the program memory are executed with a single level pipelining. While one instruction is being executed, the next instruction is pre-fetched from the program memory. This concept enables instructions to be executed in every clock cycle. The program memory is In-System Reprogrammable Flash memory.

The fast-access Register File contains 32 x 8-bit general purpose working registers with a single clock cycle access time. This allows single-cycle Arithmetic Logic Unit (ALU) operation. In a typical ALU operation, two operands are output from the Register File, the operation is executed, and the result is stored back in the Register File – in one clock cycle.

Six of the 32 registers can be used as three 16-bit indirect address register pointers for Data Space addressing – enabling efficient address calculations. One of these address pointers can also be used as an address pointer for look up tables in Flash program memory. These added function registers are the 16-bit X-, Y-, and Z-register, described later in this section.

The ALU supports arithmetic and logic operations between registers or between a constant and a register. Single register operations can also be executed in the ALU. After an arithmetic operation, the Status Register is updated to reflect information about the result of the operation.

Program flow is provided by conditional and unconditional jump and call instructions, able to directly address the whole address space. Most AVR instructions have a single 16-bit word format. Every program memory address contains a 16- or 32-bit instruction.

Program Flash memory space is divided in two sections, the Boot Program section and the Application Program section. Both sections have dedicated Lock bits for write and read/write protection. The SPM (Store Program Memory) instruction that writes into the Application Flash memory section must reside in the Boot Program section.

During interrupts and subroutine calls, the return address Program Counter (PC) is stored on the Stack. The Stack is effectively allocated in the general data SRAM, and consequently the Stack size is only limited by the total SRAM size and the usage of the SRAM. All user programs must initialize the SP in the Reset routine (before subroutines or interrupts are executed). The Stack Pointer (SP) is read/write accessible in the I/O space. The data SRAM can easily be accessed through the five different addressing modes supported in the AVR architecture.

The memory spaces in the AVR architecture are all linear and regular memory maps.

A flexible interrupt module has its control registers in the I/O space with an additional Global Interrupt Enable bit in the Status Register. All interrupts have a separate Interrupt Vector in the Interrupt Vector table. The interrupts have priority in accordance with their Interrupt Vector position. The lower the Interrupt Vector address, the higher is the priority.

The I/O memory space contains 64 addresses for CPU peripheral functions as Control Registers, SPI, and other I/O functions. The I/O Memory can be accessed directly, or as the Data Space locations following those of the Register File, 0x20 - 0x5F. In addition, the AT90PWM216/316 has Extended I/O space from 0x60 - 0xFF in SRAM where only the ST/STS/STD and LD/LDS/LDD instructions can be used.

### 5.3 ALU – Arithmetic Logic Unit

The high-performance AVR ALU operates in direct connection with all the 32 general purpose working registers. Within a single clock cycle, arithmetic operations between general purpose registers or between a register and an immediate are executed. The ALU operations are divided into three main categories – arithmetic, logical, and bit-functions. Some implementations of the architecture also provide a powerful multiplier supporting both signed/unsigned multiplication and fractional format. See the “Instruction Set” section for a detailed description.

## 5.4 Status Register

The Status Register contains information about the result of the most recently executed arithmetic instruction. This information can be used for altering program flow in order to perform conditional operations. Note that the Status Register is updated after all ALU operations, as specified in the Instruction Set Reference. This will in many cases remove the need for using the dedicated compare instructions, resulting in faster and more compact code.

The Status Register is not automatically stored when entering an interrupt routine and restored when returning from an interrupt. This must be handled by software.

The AVR Status Register – SREG – is defined as:

Bit	7	6	5	4	3	2	1	0	
	I	T	H	S	V	N	Z	C	SREG
Read/Write	R/W	R/W	R/W	R/W	R/W	R/W	R/W	R/W	
Initial Value	0	0	0	0	0	0	0	0	

- **Bit 7 – I: Global Interrupt Enable**

The Global Interrupt Enable bit must be set to enable the interrupts. The individual interrupt enable control is then performed in separate control registers. If the Global Interrupt Enable Register is cleared, none of the interrupts are enabled independent of the individual interrupt enable settings. The I-bit is cleared by hardware after an interrupt has occurred, and is set by the RETI instruction to enable subsequent interrupts. The I-bit can also be set and cleared by the application with the SEI and CLI instructions, as described in the instruction set reference.

- **Bit 6 – T: Bit Copy Storage**

The Bit Copy instructions BLD (Bit Load) and BST (Bit Store) use the T-bit as source or destination for the operated bit. A bit from a register in the Register File can be copied into T by the BST instruction, and a bit in T can be copied into a bit in a register in the Register File by the BLD instruction.

- **Bit 5 – H: Half Carry Flag**

The Half Carry Flag H indicates a Half Carry in some arithmetic operations. Half Carry is useful in BCD arithmetic. See the “Instruction Set Description” for detailed information.

- **Bit 4 – S: Sign Bit,  $S = N \oplus V$**

The S-bit is always an exclusive or between the negative flag N and the Two’s Complement Overflow Flag V. See the “Instruction Set Description” for detailed information.

- **Bit 3 – V: Two’s Complement Overflow Flag**

The Two’s Complement Overflow Flag V supports two’s complement arithmetics. See the “Instruction Set Description” for detailed information.

- **Bit 2 – N: Negative Flag**

The Negative Flag N indicates a negative result in an arithmetic or logic operation. See the “Instruction Set Description” for detailed information.

- **Bit 1 – Z: Zero Flag**

The Zero Flag Z indicates a zero result in an arithmetic or logic operation. See the “Instruction Set Description” for detailed information.

- **Bit 0 – C: Carry Flag**

The Carry Flag C indicates a carry in an arithmetic or logic operation. See the “Instruction Set Description” for detailed information.

## 5.5 General Purpose Register File

The Register File is optimized for the AVR Enhanced RISC instruction set. In order to achieve the required performance and flexibility, the following input/output schemes are supported by the Register File:

- One 8-bit output operand and one 8-bit result input
- Two 8-bit output operands and one 8-bit result input
- Two 8-bit output operands and one 16-bit result input
- One 16-bit output operand and one 16-bit result input

Figure 5-2 shows the structure of the 32 general purpose working registers in the CPU.

**Figure 5-2.** AVR CPU General Purpose Working Registers

	7	0	Addr.	
General Purpose Working Registers	R0		0x00	
	R1		0x01	
	R2		0x02	
	...			
	R13		0x0D	
	R14		0x0E	
	R15		0x0F	
	R16		0x10	
	R17		0x11	
	...			
	R26		0x1A	X-register Low Byte
	R27		0x1B	X-register High Byte
	R28		0x1C	Y-register Low Byte
	R29		0x1D	Y-register High Byte
	R30		0x1E	Z-register Low Byte
	R31		0x1F	Z-register High Byte

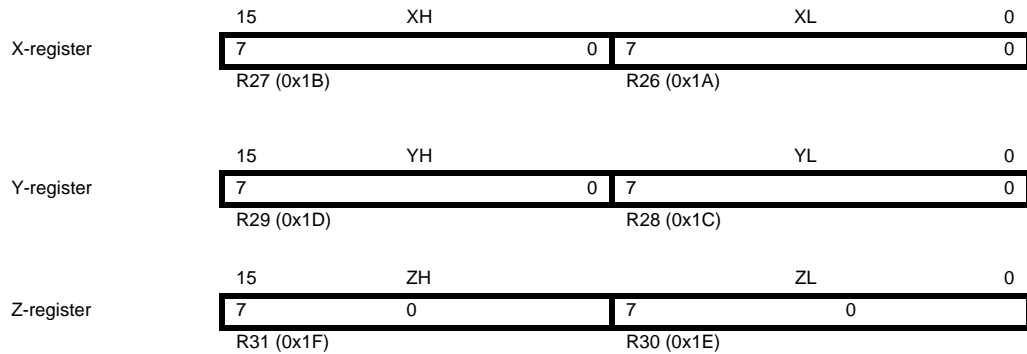
Most of the instructions operating on the Register File have direct access to all registers, and most of them are single cycle instructions.

As shown in Figure 5-2, each register is also assigned a data memory address, mapping them directly into the first 32 locations of the user Data Space. Although not being physically implemented as SRAM locations, this memory organization provides great flexibility in access of the registers, as the X-, Y- and Z-pointer registers can be set to index any register in the file.

### 5.5.1 The X-register, Y-register, and Z-register

The registers R26..R31 have some added functions to their general purpose usage. These registers are 16-bit address pointers for indirect addressing of the data space. The three indirect address registers X, Y, and Z are defined as described in Figure 5-3.

**Figure 5-3.** The X-, Y-, and Z-registers



In the different addressing modes these address registers have functions as fixed displacement, automatic increment, and automatic decrement (see the instruction set reference for details).

## 5.6 Stack Pointer

The Stack is mainly used for storing temporary data, for storing local variables and for storing return addresses after interrupts and subroutine calls. The Stack Pointer Register always points to the top of the Stack. Note that the Stack is implemented as growing from higher memory locations to lower memory locations. This implies that a Stack PUSH command decreases the Stack Pointer.

The Stack Pointer points to the data SRAM Stack area where the Subroutine and Interrupt Stacks are located. This Stack space in the data SRAM must be defined by the program before any subroutine calls are executed or interrupts are enabled. The Stack Pointer must be set to point above 0x100. The Stack Pointer is decremented by one when data is pushed onto the Stack with the PUSH instruction, and it is decremented by two when the return address is pushed onto the Stack with subroutine call or interrupt. The Stack Pointer is incremented by one when data is popped from the Stack with the POP instruction, and it is incremented by two when data is popped from the Stack with return from subroutine RET or return from interrupt RETI.

The AVR Stack Pointer is implemented as two 8-bit registers in the I/O space. The number of bits actually used is implementation dependent. Note that the data space in some implementations of the AVR architecture is so small that only SPL is needed. In this case, the SPH Register will not be present.

Bit	15	14	13	12	11	10	9	8	
	SP15	SP14	SP13	SP12	SP11	SP10	SP9	SP8	SPH
	SP7	SP6	SP5	SP4	SP3	SP2	SP1	SP0	SPL
	7	6	5	4	3	2	1	0	
Read/Write	R/W	R/W	R/W	R/W	R/W	R/W	R/W	R/W	
	R/W	R/W	R/W	R/W	R/W	R/W	R/W	R/W	
Initial Value	0	0	0	0	0	0	0	0	
	0	0	0	0	0	0	0	0	

## 5.7 Instruction Execution Timing

This section describes the general access timing concepts for instruction execution. The AVR CPU is driven by the CPU clock  $clk_{CPU}$ , directly generated from the selected clock source for the chip. No internal clock division is used.

Figure 5-4 shows the parallel instruction fetches and instruction executions enabled by the Harvard architecture and the fast-access Register File concept. This is the basic pipelining concept to obtain up to 1 MIPS per MHz with the corresponding unique results for functions per cost, functions per clocks, and functions per power-unit.

**Figure 5-4.** The Parallel Instruction Fetches and Instruction Executions

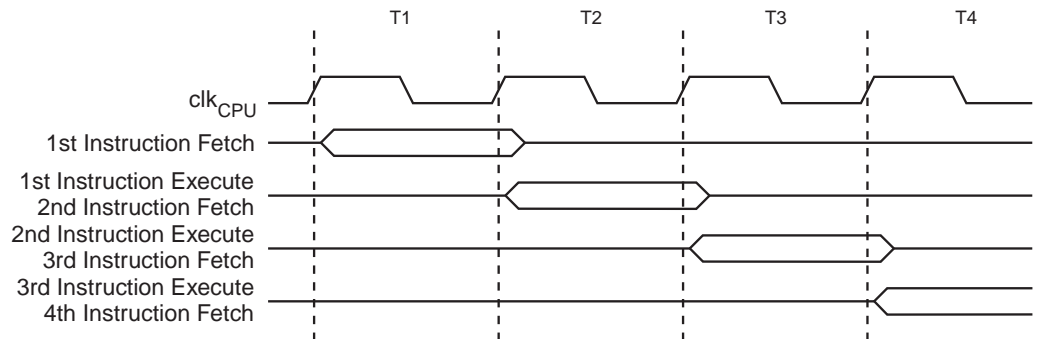
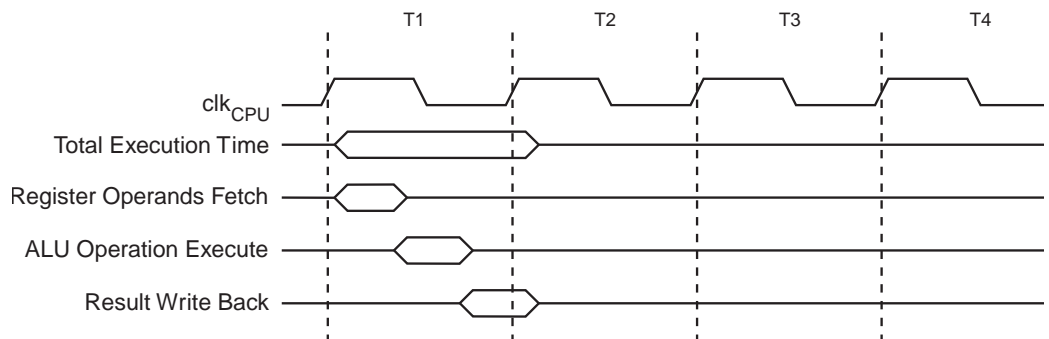


Figure 5-5 shows the internal timing concept for the Register File. In a single clock cycle an ALU operation using two register operands is executed, and the result is stored back to the destination register.

**Figure 5-5.** Single Cycle ALU Operation



## 5.8 Reset and Interrupt Handling

The AVR provides several different interrupt sources. These interrupts and the separate Reset Vector each have a separate program vector in the program memory space. All interrupts are assigned individual enable bits which must be written logic one together with the Global Interrupt Enable bit in the Status Register in order to enable the interrupt. Depending on the Program Counter value, interrupts may be automatically disabled when Boot Lock bits BLB02 or BLB12 are programmed. This feature improves software security. See the section “[Memory Programming](#)” on page 280 for details.

The lowest addresses in the program memory space are by default defined as the Reset and Interrupt Vectors. The complete list of vectors is shown in “[Interrupts](#)” on page 55. The list also determines the priority levels of the different interrupts. The lower the address the higher is the priority level. RESET has the highest priority, and next is PSC2 CAPT – the PSC2 Capture Event. The Interrupt Vectors can be moved to the start of the Boot Flash section by setting the IVSEL bit in the MCU Control Register (MCUCR). Refer to “[Interrupts](#)” on page 55 for more information. The Reset Vector can also be moved to the start of the Boot Flash section by

programming the BOOTRST Fuse, see [“Boot Loader Support – Read-While-Write Self-Programming”](#) on page 267.

### 5.8.1 Interrupt Behavior

When an interrupt occurs, the Global Interrupt Enable I-bit is cleared and all interrupts are disabled. The user software can write logic one to the I-bit to enable nested interrupts. All enabled interrupts can then interrupt the current interrupt routine. The I-bit is automatically set when a Return from Interrupt instruction – RETI – is executed.

There are basically two types of interrupts. The first type is triggered by an event that sets the interrupt flag. For these interrupts, the Program Counter is vectored to the actual Interrupt Vector in order to execute the interrupt handling routine, and hardware clears the corresponding interrupt flag. Interrupt flags can also be cleared by writing a logic one to the flag bit position(s) to be cleared. If an interrupt condition occurs while the corresponding interrupt enable bit is cleared, the interrupt flag will be set and remembered until the interrupt is enabled, or the flag is cleared by software. Similarly, if one or more interrupt conditions occur while the Global Interrupt Enable bit is cleared, the corresponding interrupt flag(s) will be set and remembered until the Global Interrupt Enable bit is set, and will then be executed by order of priority.

The second type of interrupts will trigger as long as the interrupt condition is present. These interrupts do not necessarily have interrupt flags. If the interrupt condition disappears before the interrupt is enabled, the interrupt will not be triggered.

When the AVR exits from an interrupt, it will always return to the main program and execute one more instruction before any pending interrupt is served.

Note that the Status Register is not automatically stored when entering an interrupt routine, nor restored when returning from an interrupt routine. This must be handled by software.

When using the CLI instruction to disable interrupts, the interrupts will be immediately disabled. No interrupt will be executed after the CLI instruction, even if it occurs simultaneously with the CLI instruction. The following example shows how this can be used to avoid interrupts during the timed EEPROM write sequence..

Assembly Code Example
<pre> <b>in</b> r16, SREG      ; store SREG value <b>cli</b>              ; disable interrupts during timed sequence <b>sbi</b> EECR, EEMWE  ; start EEPROM write <b>sbi</b> EECR, EEWE <b>out</b> SREG, r16    ; restore SREG value (I-bit) </pre>
C Code Example
<pre> <b>char</b> cSREG; cSREG = SREG;      /* store SREG value */ /* disable interrupts during timed sequence */ _cli(); EECR  = (1&lt;&lt;EEMWE); /* start EEPROM write */ EECR  = (1&lt;&lt;EEWE); SREG = cSREG;     /* restore SREG value (I-bit) */ </pre>



When using the SEI instruction to enable interrupts, the instruction following SEI will be executed before any pending interrupts, as shown in this example.

Assembly Code Example
<pre><b>sei</b> ; set Global Interrupt Enable <b>sleep</b>; enter sleep, waiting for interrupt ; note: will enter sleep before any pending ; interrupt(s)</pre>
C Code Example
<pre>_SEI(); /* set Global Interrupt Enable */ _SLEEP(); /* enter sleep, waiting for interrupt */ /* note: will enter sleep before any pending interrupt(s) */</pre>

### 5.8.2 Interrupt Response Time

The interrupt execution response for all the enabled AVR interrupts is four clock cycles minimum. After four clock cycles the program vector address for the actual interrupt handling routine is executed. During this four clock cycle period, the Program Counter is pushed onto the Stack. The vector is normally a jump to the interrupt routine, and this jump takes three clock cycles. If an interrupt occurs during execution of a multi-cycle instruction, this instruction is completed before the interrupt is served. If an interrupt occurs when the MCU is in sleep mode, the interrupt execution response time is increased by four clock cycles. This increase comes in addition to the start-up time from the selected sleep mode.

A return from an interrupt handling routine takes four clock cycles. During these four clock cycles, the Program Counter (two bytes) is popped back from the Stack, the Stack Pointer is incremented by two, and the I-bit in SREG is set.

## 6. Memories

This section describes the different memories in the AT90PWM216/316. The AVR architecture has two main memory spaces, the Data Memory and the Program Memory space. In addition, the AT90PWM216/316 features an EEPROM Memory for data storage. All three memory spaces are linear and regular.

### 6.1 In-System Reprogrammable Flash Program Memory

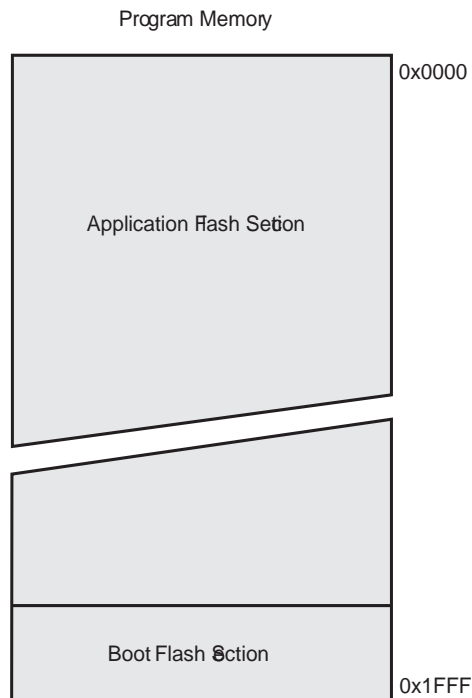
The AT90PWM216/316 contains 16K bytes On-chip In-System Reprogrammable Flash memory for program storage. Since all AVR instructions are 16 or 32 bits wide, the Flash is organized as 8K x 16. For software security, the Flash Program memory space is divided into two sections, Boot Program section and Application Program section.

The Flash memory has an endurance of at least 10,000 write/erase cycles. The AT90PWM216/316 Program Counter (PC) is 13 bits wide, thus addressing the 16K program memory locations. The operation of Boot Program section and associated Boot Lock bits for software protection are described in detail in [“Boot Loader Support – Read-While-Write Self-Programming” on page 267](#). [“Memory Programming” on page 280](#) contains a detailed description on Flash programming in SPI or Parallel programming mode.

Constant tables can be allocated within the entire program memory address space (see the LPM – Load Program Memory).

Timing diagrams for instruction fetch and execution are presented in [“Instruction Execution Timing” on page 14](#).

**Figure 6-1.** Program Memory Map



### 6.2 SRAM Data Memory

[Figure 6-2](#) shows how the AT90PWM216/316 SRAM Memory is organized.

The AT90PWM216/316 is a complex microcontroller with more peripheral units than can be supported within the 64 locations reserved in the Opcode for the IN and OUT instructions. For the Extended I/O space from 0x60 - 0xFF in SRAM, only the ST/STS/STD and LD/LDS/LDD instructions can be used.

The lower 768 data memory locations address both the Register File, the I/O memory, Extended I/O memory, and the internal data SRAM. The first 32 locations address the Register File, the next 64 location the standard I/O memory, then 160 locations of Extended I/O memory, and the next 512 locations address the internal data SRAM.

The five different addressing modes for the data memory cover: Direct, Indirect with Displacement, Indirect, Indirect with Pre-decrement, and Indirect with Post-increment. In the Register File, registers R26 to R31 feature the indirect addressing pointer registers.

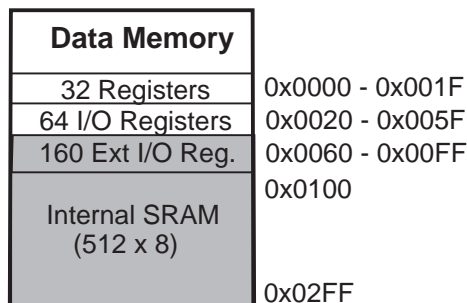
The direct addressing reaches the entire data space.

The Indirect with Displacement mode reaches 63 address locations from the base address given by the Y- or Z-register.

When using register indirect addressing modes with automatic pre-decrement and post-increment, the address registers X, Y, and Z are decremented or incremented.

The 32 general purpose working registers, 64 I/O Registers, 160 Extended I/O Registers, and the 512 bytes of internal data SRAM in the AT90PWM216/316 are all accessible through all these addressing modes. The Register File is described in ["General Purpose Register File" on page 13](#).

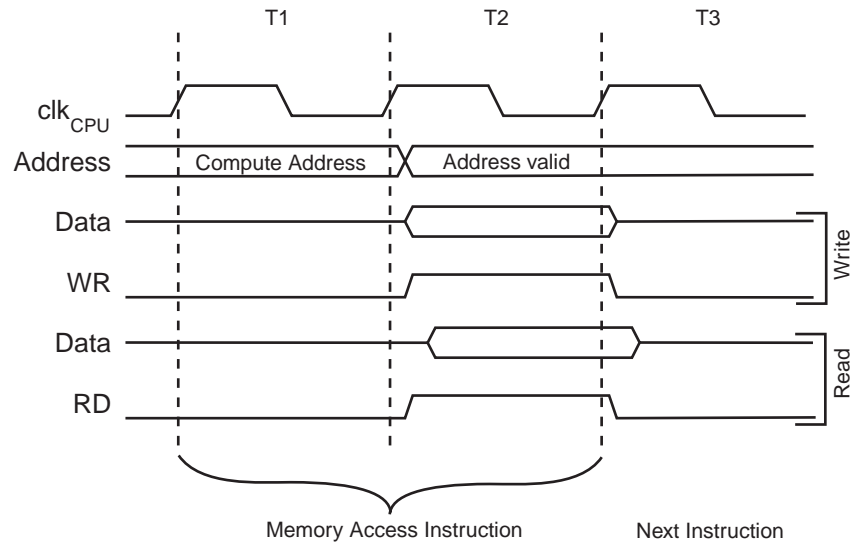
**Figure 6-2.** Data Memory Map



## 6.2.1 SRAM Data Access Times

This section describes the general access timing concepts for internal memory access. The internal data SRAM access is performed in two  $clk_{CPU}$  cycles as described in [Figure 6-3](#).

**Figure 6-3.** On-chip Data SRAM Access Cycles



## 6.3 EEPROM Data Memory

The AT90PWM216/316 contains 512 bytes of data EEPROM memory. It is organized as a separate data space, in which single bytes can be read and written. The EEPROM has an endurance of at least 100,000 write/erase cycles. The access between the EEPROM and the CPU is described in the following, specifying the EEPROM Address Registers, the EEPROM Data Register, and the EEPROM Control Register.

For a detailed description of SPI and Parallel data downloading to the EEPROM, see [“Serial Downloading” on page 296](#), and [“Parallel Programming Parameters, Pin Mapping, and Commands” on page 285](#) respectively.

### 6.3.1 EEPROM Read/Write Access

The EEPROM Access Registers are accessible in the I/O space.

The write access time for the EEPROM is given in [Table 6-2](#). A self-timing function, however, lets the user software detect when the next byte can be written. If the user code contains instructions that write the EEPROM, some precautions must be taken. In heavily filtered power supplies,  $V_{CC}$  is likely to rise or fall slowly on power-up/down. This causes the device for some period of time to run at a voltage lower than specified as minimum for the clock frequency used. For details on how to avoid problems in these situations see [“Preventing EEPROM Corruption” on page 25](#).

In order to prevent unintentional EEPROM writes, a specific write procedure must be followed. Refer to the description of the EEPROM Control Register for details on this.

When the EEPROM is read, the CPU is halted for four clock cycles before the next instruction is executed. When the EEPROM is written, the CPU is halted for two clock cycles before the next instruction is executed.

## 6.3.2 The EEPROM Address Registers – EEARH and EEARL

Bit	15	14	13	12	11	10	9	8	
	-	-	-	-	-	-	-	EEAR8	EEARH
	EEAR7	EEAR6	EEAR5	EEAR4	EEAR3	EEAR2	EEAR1	EEAR0	EEARL
Read/Write	R	R	R	R	R	R	R	R/W	
Initial Value	0	0	0	0	0	0	0	X	
	X	X	X	X	X	X	X	X	

- **Bits 15..9 – Reserved Bits**

These bits are reserved bits in the AT90PWM216/316 and will always read as zero.

- **Bits 8..0 – EEAR8..0: EEPROM Address**

The EEPROM Address Registers – EEARH and EEARL specify the EEPROM address in the 512 bytes EEPROM space. The EEPROM data bytes are addressed linearly between 0 and 511. The initial value of EEAR is undefined. A proper value must be written before the EEPROM may be accessed.

## 6.3.3 The EEPROM Data Register – EEDR

Bit	7	6	5	4	3	2	1	0	
	EEDR7	EEDR6	EEDR5	EEDR4	EEDR3	EEDR2	EEDR1	EEDR0	EEDR
Read/Write	R/W	R/W	R/W	R/W	R/W	R/W	R/W	R/W	
Initial Value	0	0	0	0	0	0	0	0	

- **Bits 7..0 – EEDR7.0: EEPROM Data**

For the EEPROM write operation, the EEDR Register contains the data to be written to the EEPROM in the address given by the EEAR Register. For the EEPROM read operation, the EEDR contains the data read out from the EEPROM at the address given by EEAR.

## 6.3.4 The EEPROM Control Register – EECR

Bit	7	6	5	4	3	2	1	0	
	-	-	EPM1	EPM0	EERIE	EEMWE	EEWE	EERE	EECR
Read/Write	R	R	R/W	R/W	R/W	R/W	R/W	R/W	
Initial Value	0	0	X	X	0	0	X	0	

- **Bits 7..6 – Reserved Bits**

These bits are reserved bits in the AT90PWM216/316 and will always read as zero.

- **Bits 5..4 – EPM1 and EPM0: EEPROM Programming Mode Bits**

The EEPROM Programming mode bit setting defines which programming action that will be triggered when writing EEWE. It is possible to program data in one atomic operation (erase the old value and program the new value) or to split the Erase and Write operations in two different operations. The Programming times for the different modes are shown in [Table 6-1](#). While EEWE is set, any write to EPMn will be ignored. During reset, the EPMn bits will be reset to 0b00 unless the EEPROM is busy programming.

**Table 6-1.** EEPROM Mode Bits

EEPROM1	EEPROM0	Programming Time	Operation
0	0	3.4 ms	Erase and Write in one operation (Atomic Operation)
0	1	1.8 ms	Erase Only
1	0	1.8 ms	Write Only
1	1	–	Reserved for future use

- **Bit 3 – EERIE: EEPROM Ready Interrupt Enable**

Writing EERIE to one enables the EEPROM Ready Interrupt if the I bit in SREG is set. Writing EERIE to zero disables the interrupt. The EEPROM Ready interrupt generates a constant interrupt when EEW is cleared. The interrupt will not be generated during EEPROM write or SPM.

- **Bit 2 – EEMWE: EEPROM Master Write Enable**

The EEMWE bit determines whether setting EEW to one causes the EEPROM to be written. When EEMWE is set, setting EEW within four clock cycles will write data to the EEPROM at the selected address. If EEMWE is zero, setting EEW will have no effect. When EEMWE has been written to one by software, hardware clears the bit to zero after four clock cycles. See the description of the EEW bit for an EEPROM write procedure.

- **Bit 1 – EEW: EEPROM Write Enable**

The EEPROM Write Enable Signal EEW is the write strobe to the EEPROM. When address and data are correctly set up, the EEW bit must be written to one to write the value into the EEPROM. The EEMWE bit must be written to one before a logical one is written to EEW, otherwise no EEPROM write takes place. The following procedure should be followed when writing the EEPROM (the order of steps 3 and 4 is not essential):

1. Wait until EEW becomes zero.
2. Wait until SPEN (Store Program Memory Enable) in SPMCSR (Store Program Memory Control and Status Register) becomes zero.
3. Write new EEPROM address to EEAR (optional).
4. Write new EEPROM data to EEDR (optional).
5. Write a logical one to the EEMWE bit while writing a zero to EEW in EECR.
6. Within four clock cycles after setting EEMWE, write a logical one to EEW.

The EEPROM can not be programmed during a CPU write to the Flash memory. The software must check that the Flash programming is completed before initiating a new EEPROM write. Step 2 is only relevant if the software contains a Boot Loader allowing the CPU to program the Flash. If the Flash is never being updated by the CPU, step 2 can be omitted. See [“Boot Loader Support – Read-While-Write Self-Programming” on page 267](#) for details about Boot programming.

**Caution:** An interrupt between step 5 and step 6 will make the write cycle fail, since the EEPROM Master Write Enable will time-out. If an interrupt routine accessing the EEPROM is interrupting another EEPROM access, the EEAR or EEDR Register will be modified, causing the interrupted EEPROM access to fail. It is recommended to have the Global Interrupt Flag cleared during all the steps to avoid these problems.

When the write access time has elapsed, the EEWB bit is cleared by hardware. The user software can poll this bit and wait for a zero before writing the next byte. When EEWB has been set, the CPU is halted for two cycles before the next instruction is executed.

- **Bit 0 – EERE: EEPROM Read Enable**

The EEPROM Read Enable Signal EERE is the read strobe to the EEPROM. When the correct address is set up in the EEAR Register, the EERE bit must be written to a logic one to trigger the EEPROM read. The EEPROM read access takes one instruction, and the requested data is available immediately. When the EEPROM is read, the CPU is halted for four cycles before the next instruction is executed.

The user should poll the EEWB bit before starting the read operation. If a write operation is in progress, it is neither possible to read the EEPROM, nor to change the EEAR Register.

The calibrated Oscillator is used to time the EEPROM accesses. [Table 6-2](#) lists the typical programming time for EEPROM access from the CPU.

**Table 6-2.** EEPROM Programming Time.

Symbol	Number of Calibrated RC Oscillator Cycles	Typ Programming Time
EEPROM write (from CPU)	26368	3.3 ms

The following code examples show one assembly and one C function for writing to the EEPROM. The examples assume that interrupts are controlled (e.g. by disabling interrupts globally) so that no interrupts will occur during execution of these functions. The examples also assume that no Flash Boot Loader is present in the software. If such code is present, the EEPROM write function must also wait for any ongoing SPM command to finish.

**TABLE 2.**

Assembly Code Example
<pre> EEPROM_write:     ; Wait for completion of previous write     sbic EECR,EEWE     rjmp EEPROM_write     ; Set up address (r18:r17) in address register     out EEARH, r18     out EEARL, r17     ; Write data (r16) to data register     out EEDR,r16     ; Write logical one to EEMWE     sbi EECR,EEMWE     ; Start eeprom write by setting EEWE     sbi EECR,EEWE     ret         </pre>
C Code Example
<pre> void EEPROM_write (unsigned int uiAddress, unsigned char ucData) {     /* Wait for completion of previous write */     while(EECR &amp; (1&lt;&lt;EEWE))         ;     /* Set up address and data registers */     EEAR = uiAddress;     EEDR = ucData;     /* Write logical one to EEMWE */     EECR  = (1&lt;&lt;EEMWE);     /* Start eeprom write by setting EEWE */     EECR  = (1&lt;&lt;EEWE); }         </pre>



The next code examples show assembly and C functions for reading the EEPROM. The examples assume that interrupts are controlled so that no interrupts will occur during execution of these functions.

TABLE 3.

Assembly Code Example
<pre> EEPROM_read:     ; Wait for completion of previous write     sbic EECR,EEWE     rjmp EEPROM_read     ; Set up address (r18:r17) in address register     out EEARH, r18     out EEARL, r17     ; Start eeprom read by writing EERE     sbi EECR,EERE     ; Read data from data register     in r16,EEDR     ret </pre>
C Code Example
<pre> unsigned char EEPROM_read(unsigned int uiAddress) {     /* Wait for completion of previous write */     while((EECR &amp; (1&lt;&lt;EEWE))         ;     /* Set up address register */     EEAR = uiAddress;     /* Start eeprom read by writing EERE */     EECR  = (1&lt;&lt;EERE);     /* Return data from data register */     return EEDR; } </pre>

### 6.3.5 Preventing EEPROM Corruption

During periods of low  $V_{CC}$ , the EEPROM data can be corrupted because the supply voltage is too low for the CPU and the EEPROM to operate properly. These issues are the same as for board level systems using EEPROM, and the same design solutions should be applied.

An EEPROM data corruption can be caused by two situations when the voltage is too low. First, a regular write sequence to the EEPROM requires a minimum voltage to operate correctly. Secondly, the CPU itself can execute instructions incorrectly, if the supply voltage is too low.

EEPROM data corruption can easily be avoided by following this design recommendation:

Keep the AVR RESET active (low) during periods of insufficient power supply voltage. This can be done by enabling the internal Brown-out Detector (BOD). If the detection level of the internal BOD does not match the needed detection level, an external low  $V_{CC}$  reset Protection circuit can be used. If a reset occurs while a write operation is in progress, the write operation will be completed provided that the power supply voltage is sufficient.

## 6.4 I/O Memory

The I/O space definition of the AT90PWM216/316 is shown in “Register Summary” on page 338.

All AT90PWM216/316 I/Os and peripherals are placed in the I/O space. All I/O locations may be accessed by the LD/LDS/LDD and ST/STS/STD instructions, transferring data between the 32 general purpose working registers and the I/O space. I/O registers within the address range 0x00 - 0x1F are directly bit-accessible using the SBI and CBI instructions. In these registers, the value of single bits can be checked by using the SBIS and SBIC instructions. Refer to the instruction set section for more details. When using the I/O specific commands IN and OUT, the I/O addresses 0x00 - 0x3F must be used. When addressing I/O registers as data space using LD and ST instructions, 0x20 must be added to these addresses. The AT90PWM216/316 is a complex microcontroller with more peripheral units than can be supported within the 64 location reserved in Opcode for the IN and OUT instructions. For the Extended I/O space from 0x60 - 0xFF in SRAM, only the ST/STS/STD and LD/LDS/LDD instructions can be used.

For compatibility with future devices, reserved bits should be written to zero if accessed. Reserved I/O memory addresses should never be written.

Some of the status flags are cleared by writing a logical one to them. Note that, unlike most other AVR’s, the CBI and SBI instructions will only operate on the specified bit, and can therefore be used on registers containing such status flags. The CBI and SBI instructions work with registers 0x00 to 0x1F only.

The I/O and peripherals control registers are explained in later sections.

## 6.5 General Purpose I/O Registers

The AT90PWM216/316 contains four General Purpose I/O Registers. These registers can be used for storing any information, and they are particularly useful for storing global variables and status flags.

The General Purpose I/O Registers, within the address range 0x00 - 0x1F, are directly bit-accessible using the SBI, CBI, SBIS, and SBIC instructions.

### 6.5.1 General Purpose I/O Register 0 – GPIOR0

Bit	7	6	5	4	3	2	1	0	
	<b>GPIOR07</b>	<b>GPIOR06</b>	<b>GPIOR05</b>	<b>GPIOR04</b>	<b>GPIOR03</b>	<b>GPIOR02</b>	<b>GPIOR01</b>	<b>GPIOR00</b>	<b>GPIOR0</b>
Read/Write	R/W	R/W	R/W	R/W	R/W	R/W	R/W	R/W	
Initial Value	0	0	0	0	0	0	0	0	

### 6.5.2 General Purpose I/O Register 1 – GPIOR1

Bit	7	6	5	4	3	2	1	0	
	<b>GPIOR17</b>	<b>GPIOR16</b>	<b>GPIOR15</b>	<b>GPIOR14</b>	<b>GPIOR13</b>	<b>GPIOR12</b>	<b>GPIOR11</b>	<b>GPIOR10</b>	<b>GPIOR1</b>
Read/Write	R/W	R/W	R/W	R/W	R/W	R/W	R/W	R/W	
Initial Value	0	0	0	0	0	0	0	0	

### 6.5.3 General Purpose I/O Register 2 – GPIOR2

Bit	7	6	5	4	3	2	1	0	
	<b>GPIOR27</b>	<b>GPIOR26</b>	<b>GPIOR25</b>	<b>GPIOR24</b>	<b>GPIOR23</b>	<b>GPIOR22</b>	<b>GPIOR21</b>	<b>GPIOR20</b>	<b>GPIOR2</b>
Read/Write	R/W	R/W	R/W	R/W	R/W	R/W	R/W	R/W	
Initial Value	0	0	0	0	0	0	0	0	

## 6.5.4 General Purpose I/O Register 3– GPIOR3

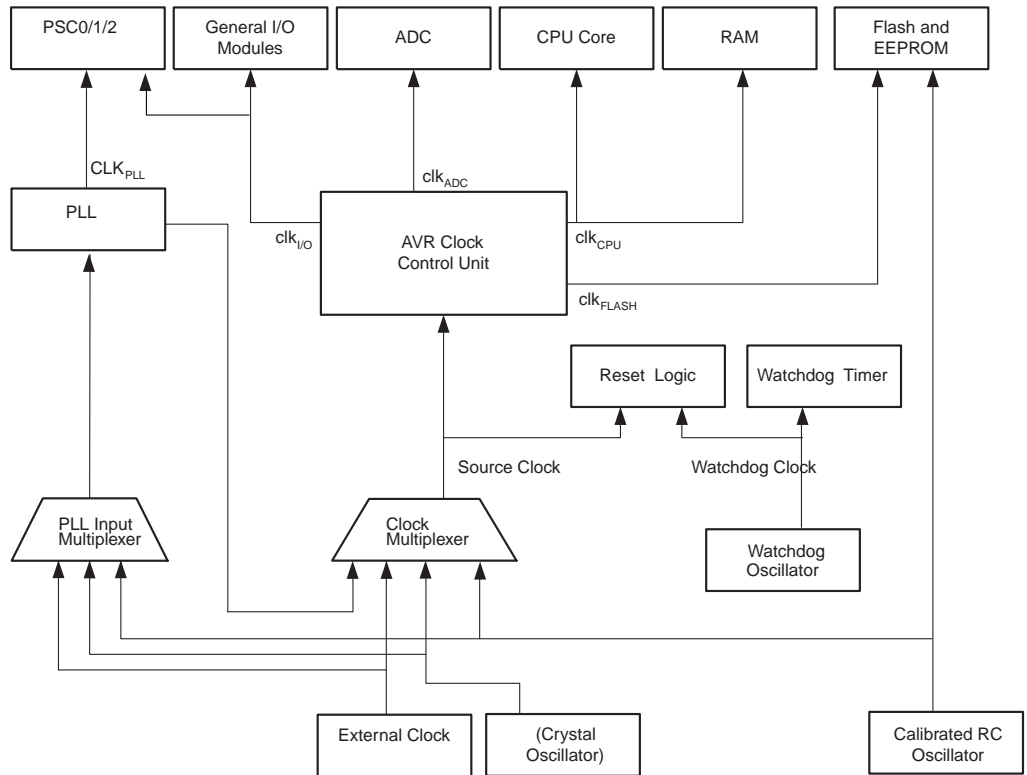
Bit	7	6	5	4	3	2	1	0	
	<b>GPIOR37</b>	<b>GPIOR36</b>	<b>GPIOR35</b>	<b>GPIOR34</b>	<b>GPIOR33</b>	<b>GPIOR32</b>	<b>GPIOR31</b>	<b>GPIOR30</b>	<b>GPIOR3</b>
Read/Write	R/W	R/W	R/W	R/W	R/W	R/W	R/W	R/W	
Initial Value	0	0	0	0	0	0	0	0	

## 7. System Clock

### 7.1 Clock Systems and their Distribution

Figure 7-1 presents the principal clock systems in the AVR and their distribution. All of the clocks need not be active at a given time. In order to reduce power consumption, the clocks to unused modules can be halted by using different sleep modes, as described in “Power Management and Sleep Modes” on page 39. The clock systems are detailed below.

Figure 7-1. Clock Distribution AT90PWM216/316



#### 7.1.1 CPU Clock – $clk_{CPU}$

The CPU clock is routed to parts of the system concerned with operation of the AVR core. Examples of such modules are the General Purpose Register File, the Status Register and the data memory holding the Stack Pointer. Halting the CPU clock inhibits the core from performing general operations and calculations.

#### 7.1.2 I/O Clock – $clk_{I/O}$

The I/O clock is used by the majority of the I/O modules, like Timer/Counters, SPI, USART. The I/O clock is also used by the External Interrupt module, but note that some external interrupts are detected by asynchronous logic, allowing such interrupts to be detected even if the I/O clock is halted.

## 7.1.3 Flash Clock – $clk_{FLASH}$

The Flash clock controls operation of the Flash interface. The Flash clock is usually active simultaneously with the CPU clock.

## 7.1.4 PLL Clock – $clk_{PLL}$

The PLL clock allows the PSC modules to be clocked directly from a 64/32 MHz clock. A 16 MHz clock is also derived for the CPU.

## 7.1.5 ADC Clock – $clk_{ADC}$

The ADC is provided with a dedicated clock domain. This allows halting the CPU and I/O clocks in order to reduce noise generated by digital circuitry. This gives more accurate ADC conversion results.

## 7.2 Clock Sources

The device has the following clock source options, selectable by Flash Fuse bits as illustrated by [Table 7-1](#). The clock from the selected source is input to the AVR clock generator, and routed to the appropriate modules.

**Table 7-1.** Device Clocking Options Select AT90PWM216/316

Device Clocking Option	System Clock	PLL Input	CKSEL3..0 <sup>(1)</sup>
External Crystal/Ceramic Resonator	Ext Osc <sup>(2)</sup>	RC Osc <sup>(3)</sup>	1111 - 1000
PLL output divided by 4 : 16 MHz / PLL driven by External Crystal/Ceramic Resonator	Ext Osc	Ext Osc	0100
PLL output divided by 4 : 16 MHz / PLL driven by External Crystal/Ceramic Resonator	PLL / 4	Ext Osc	0101
Reserved	N/A	N/A	0111- 0110
PLL output divided by 4 : 16 MHz	PLL / 4	RC Osc	0011
Calibrated Internal RC Oscillator	RC Osc	RC Osc	0010
PLL output divided by 4 : 16 MHz / PLL driven by External clock	PLL / 4	Ext Clk <sup>(4)</sup>	0001
External Clock	Ext Clk	RC Osc	0000

1. For all fuses “1” means unprogrammed while “0” means programmed

2. Ext Osc : External Osc

3. RC Osc : Internal RC Oscillator

4. Ext Clk : External Clock Input

The various choices for each clocking option is given in the following sections. When the CPU wakes up from Power-down or Power-save, the selected clock source is used to time the start-up, ensuring stable Oscillator operation before instruction execution starts. When the CPU starts from reset, there is an additional delay allowing the power to reach a stable level before starting normal operation. The Watchdog Oscillator is used for timing this real-time part of the start-up time. The number of WDT Oscillator cycles used for each time-out is shown in [Table 7-2](#). The

frequency of the Watchdog Oscillator is voltage dependent as shown in [“Watchdog Oscillator Frequency vs. VCC” on page 331](#).

**Table 7-2.** Number of Watchdog Oscillator Cycles

Typ Time-out ( $V_{CC} = 5.0V$ )	Typ Time-out ( $V_{CC} = 3.0V$ )	Number of Cycles
4.1 ms	4.3 ms	8K (4,096)
65 ms	69 ms	64K (65,536)

### 7.3 Default Clock Source

The device is shipped with CKSEL = “0010”, SUT = “10”, and CKDIV8 programmed. The default clock source setting is the Internal RC Oscillator with longest start-up time and an initial system clock prescaling of 8. This default setting ensures that all users can make their desired clock source setting using an In-System or Parallel programmer.

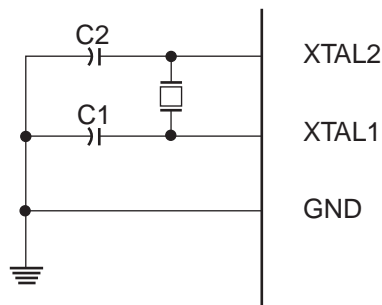
### 7.4 Low Power Crystal Oscillator

XTAL1 and XTAL2 are input and output, respectively, of an inverting amplifier which can be configured for use as an On-chip Oscillator, as shown in [Figure 7-2](#). Either a quartz crystal or a ceramic resonator may be used.

This Crystal Oscillator is a low power oscillator, with reduced voltage swing on the XTAL2 output. It gives the lowest power consumption, but is not capable of driving other clock inputs.

C1 and C2 should always be equal for both crystals and resonators. The optimal value of the capacitors depends on the crystal or resonator in use, the amount of stray capacitance, and the electromagnetic noise of the environment. Some initial guidelines for choosing capacitors for use with crystals are given in [Table 7-3](#). For ceramic resonators, the capacitor values given by the manufacturer should be used. For more information on how to choose capacitors and other details on Oscillator operation, refer to the Multi-purpose Oscillator Application Note.

**Figure 7-2.** Crystal Oscillator Connections



The Oscillator can operate in three different modes, each optimized for a specific frequency range. The operating mode is selected by the fuses CKSEL3..1 as shown in [Table 7-3](#).

**Table 7-3.** Crystal Oscillator Operating Modes

CKSEL3..1	Frequency Range <sup>(1)</sup> (MHz)	Recommended Range for Capacitors C1 and C2 for Use with Crystals (pF)
100 <sup>(2)</sup>	0.4 - 0.9	–
101	0.9 - 3.0	12 - 22
110	3.0 - 8.0	12 - 22
111	8.0 -16.0	12 - 22

Notes: 1. The frequency ranges are preliminary values. Actual values are TBD.

2. This option should not be used with crystals, only with ceramic resonators.

The CKSEL0 Fuse together with the SUT1..0 Fuses select the start-up times as shown in [Table 7-4](#).

**Table 7-4.** Start-up Times for the Oscillator Clock Selection

CKSEL0	SUT1..0	Start-up Time from Power-down and Power-save	Additional Delay from Reset ( $V_{CC} = 5.0V$ )	Recommended Usage
0	00	258 CK <sup>(1)</sup>	14CK + 4.1 ms	Ceramic resonator, fast rising power
0	01	258 CK <sup>(1)</sup>	14CK + 65 ms	Ceramic resonator, slowly rising power
0	10	1K CK <sup>(2)</sup>	14CK	Ceramic resonator, BOD enabled
0	11	1K CK <sup>(2)</sup>	14CK + 4.1 ms	Ceramic resonator, fast rising power
1	00	1K CK <sup>(2)</sup>	14CK + 65 ms	Ceramic resonator, slowly rising power
1	01	16K CK	14CK	Crystal Oscillator, BOD enabled
1	10	16K CK	14CK + 4.1 ms	Crystal Oscillator, fast rising power
1	11	16K CK	14CK + 65 ms	Crystal Oscillator, slowly rising power

- Notes:
1. These options should only be used when not operating close to the maximum frequency of the device, and only if frequency stability at start-up is not important for the application. These options are not suitable for crystals.
  2. These options are intended for use with ceramic resonators and will ensure frequency stability at start-up. They can also be used with crystals when not operating close to the maximum frequency of the device, and if frequency stability at start-up is not important for the application.

## 7.5 Calibrated Internal RC Oscillator

By default, the Internal RC Oscillator provides an approximate 8.0 MHz clock. Though voltage and temperature dependent, this clock can be very accurately calibrated by the user. The device is shipped with the CKDIV8 Fuse programmed. See [“System Clock Prescaler” on page 37](#) for more details.

This clock may be selected as the system clock by programming the CKSEL Fuses as shown in [Table 7-5](#). If selected, it will operate with no external components. During reset, hardware loads the pre-programmed calibration value into the OSCCAL Register and thereby automatically calibrates the RC Oscillator. The accuracy of this calibration is shown as Factory calibration in [Table 26-1 on page 304](#).

By changing the OSCCAL register from SW, see [“Oscillator Calibration Register – OSCCAL” on page 33](#), it is possible to get a higher calibration accuracy than by using the factory calibration. The accuracy of this calibration is shown as User calibration in [Section “Calibration Byte”, page 285](#).

When this Oscillator is used as the chip clock, the Watchdog Oscillator will still be used for the Watchdog Timer and for the Reset Time-out. For more information on the pre-programmed calibration value, see the section [Section “Calibration Byte”, page 285](#).



**Table 7-5.** Internal Calibrated RC Oscillator Operating Modes<sup>(1)(2)</sup>

Frequency Range (MHz)	CKSEL3..0
7.3 - 8.1	0010

- Notes:
1. The device is shipped with this option selected.
  2. If 8 MHz frequency exceeds the specification of the device (depends on  $V_{CC}$ ), the CKDIV8 Fuse can be programmed in order to divide the internal frequency by 8.

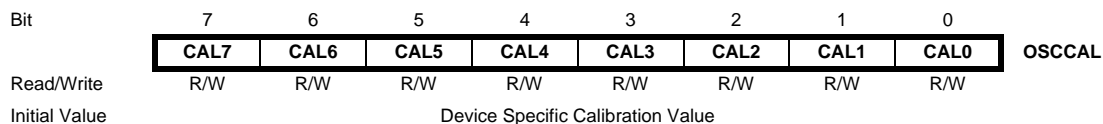
When this Oscillator is selected, start-up times are determined by the SUT Fuses as shown in [Table 7-6 on page 33](#).

**Table 7-6.** Start-up times for the internal calibrated RC Oscillator clock selection

Power Conditions	Start-up Time from Power-down and Power-save	Additional Delay from Reset ( $V_{CC} = 5.0V$ )	SUT1..0
BOD enabled	6 CK	14CK <sup>(1)</sup>	00
Fast rising power	6 CK	14CK + 4.1 ms	01
Slowly rising power	6 CK	14CK + 65 ms <sup>(1)</sup>	10
Reserved			11

- Note:
1. If the RSTDISBL fuse is programmed, this start-up time will be increased to 14CK + 4.1 ms to ensure programming mode can be entered.
  2. The device is shipped with this option selected.

## 7.5.1 Oscillator Calibration Register – OSCCAL



### • Bits 7..0 – CAL7..0: Oscillator Calibration Value

The Oscillator Calibration Register is used to trim the Calibrated Internal RC Oscillator to remove process variations from the oscillator frequency. The factory-calibrated value is automatically written to this register during chip reset, giving an oscillator frequency of 8.0 MHz at 25°C. The application software can write this register to change the oscillator frequency. The oscillator can be calibrated to any frequency in the range 7.3 - 8.1 MHz within  $\pm 1\%$  accuracy. Calibration outside that range is not guaranteed.

Note that this oscillator is used to time EEPROM and Flash write accesses, and these write times will be affected accordingly. If the EEPROM or Flash are written, do not calibrate to more than 8.8 MHz. Otherwise, the EEPROM or Flash write may fail.

The CAL7 bit determines the range of operation for the oscillator. Setting this bit to 0 gives the lowest frequency range, setting this bit to 1 gives the highest frequency range. The two frequency ranges are overlapping, in other words a setting of OSCCAL = 0x7F gives a higher frequency than OSCCAL = 0x80.

The CAL6..0 bits are used to tune the frequency within the selected range. A setting of 0x00 gives the lowest frequency in that range, and a setting of 0x7F gives the highest frequency in the range. Incrementing CAL6..0 by 1 will give a frequency increment of less than 2% in the frequency range 7.3 - 8.1 MHz.

## 7.6 PLL

To generate high frequency and accurate PWM waveforms, the 'PSC's need high frequency clock input. This clock is generated by a PLL. To keep all PWM accuracy, the frequency factor of PLL must be configurable by software. With a system clock of 8 MHz, the PLL output is 32Mhz or 64Mhz.

### 7.6.1 Internal PLL for PSC

The internal PLL in AT90PWM216/316 generates a clock frequency that is 64x multiplied from nominally 1 MHz input. The source of the 1 MHz PLL input clock is the output of the internal RC Oscillator which is divided down to 1 MHz. See the [Figure 7-4 on page 36](#).

The PLL is locked on the RC Oscillator and adjusting the RC Oscillator via OSCCAL Register will adjust the fast peripheral clock at the same time. However, even if the possibly divided RC Oscillator is taken to a higher frequency than 1 MHz, the fast peripheral clock frequency saturates at 70 MHz (worst case) and remains oscillating at the maximum frequency. It should be noted that the PLL in this case is not locked any more with the RC Oscillator clock.

Therefore it is recommended not to take the OSCCAL adjustments to a higher frequency than 1 MHz in order to keep the PLL in the correct operating range. The internal PLL is enabled only when the PLLE bit in the register PLLCSR is set. The bit PLOCK from the register PLLCSR is set when PLL is locked.

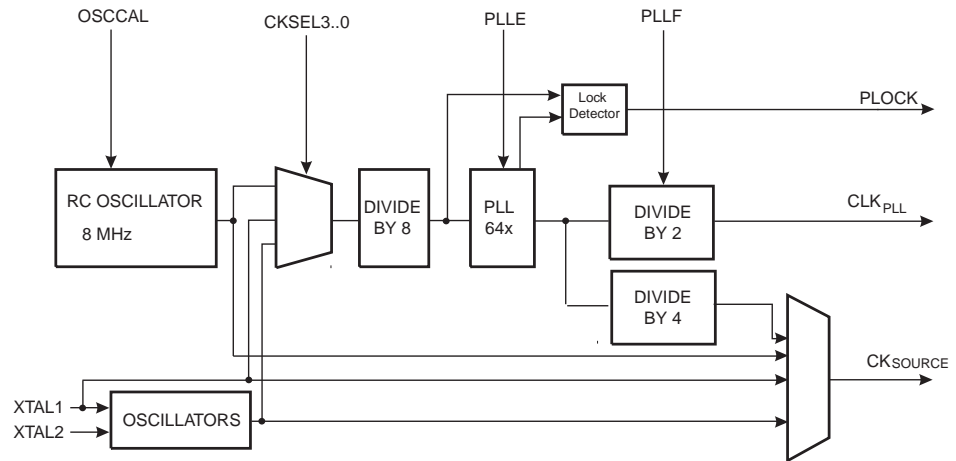
Both internal 1 MHz RC Oscillator and PLL are switched off in Power-down and Standby sleep modes

**Table 7-7.** Start-up Times when the PLL is selected as system clock

CKSEL 3.0	SUT1..0	Start-up Time from Power-down and Power-save	Additional Delay from Reset (V <sub>CC</sub> = 5.0V)
0011 RC Osc	00	1K CK	14CK
	01	1K CK	14CK + 4 ms
	10	1K CK	14CK + 64 ms
	11	16K CK	14CK
0101 Ext Osc	00	1K CK	14CK
	01	1K CK	14CK + 4 ms
	10	16K CK	14CK + 4 ms
	11	16K CK	14CK + 64 ms
0001 Ext Clk	00	6 CK <sup>(1)</sup>	14CK
	01	6 CK <sup>(2)</sup>	14CK + 4 ms
	10	6 CK <sup>(3)</sup>	14CK + 64 ms
	11	Reserved	

1. This value do not provide a proper restart ; do not use PD in this clock scheme
2. This value do not provide a proper restart ; do not use PD in this clock scheme
3. This value do not provide a proper restart ; do not use PD in this clock scheme

**Figure 7-3. PCK Clocking System AT90PWM216/316**



## 7.6.2 PLL Control and Status Register – PLLCSR

Bit	7	6	5	4	3	2	1	0	
\$29 (\$29)	-	-	-	-	-	PLL F	PLLE	PLOCK	PLLCSR
Read/Write	R	R	R	R	R	R/W	R/W	R	
Initial Value	0	0	0	0	0	0	0/1	0	

- **Bit 7..3 – Res: Reserved Bits**

These bits are reserved bits in the AT90PWM216/316 and always read as zero.

- **Bit 2 – PLLF: PLL Factor**

The PLLF bit is used to select the division factor of the PLL.

If PLLF is set, the PLL output is 64Mhz.

If PLLF is clear, the PLL output is 32Mhz.

- **Bit 1 – PLLE: PLL Enable**

When the PLLE is set, the PLL is started and if not yet started the internal RC Oscillator is started as PLL reference clock. If PLL is selected as a system clock source the value for this bit is always 1.

- **Bit 0 – PLOCK: PLL Lock Detector**

When the PLOCK bit is set, the PLL is locked to the reference clock, and it is safe to enable CLK<sub>PLL</sub> for PSC. After the PLL is enabled, it takes about 100 ms for the PLL to lock.

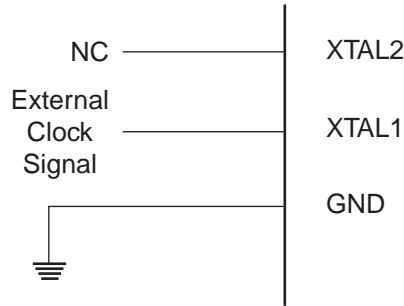
## 7.7 128 kHz Internal Oscillator

The 128 kHz internal Oscillator is a low power Oscillator providing a clock of 128 kHz. The frequency is nominal at 3V and 25°C. This clock is used by the Watchdog Oscillator.

## 7.8 External Clock

To drive the device from an external clock source, XTAL1 should be driven as shown in [Figure 7-4](#). To run the device on an external clock, the CKSEL Fuses must be programmed to “0000”.

**Figure 7-4.** External Clock Drive Configuration



**Table 7-8.** External Clock Frequency

CKSEL3..0	Frequency Range
0000	0 - 16 MHz

When this clock source is selected, start-up times are determined by the SUT Fuses as shown in [Table 7-9](#).

**Table 7-9.** Start-up Times for the External Clock Selection

SUT1..0	Start-up Time from Power-down and Power-save	Additional Delay from Reset ( $V_{CC} = 5.0V$ )	Recommended Usage
00	6 CK	14CK	BOD enabled
01	6 CK	14CK + 4.1 ms	Fast rising power
10	6 CK	14CK + 65 ms	Slowly rising power
11	Reserved		

When applying an external clock, it is required to avoid sudden changes in the applied clock frequency to ensure stable operation of the MCU. A variation in frequency of more than 2% from one clock cycle to the next can lead to unpredictable behavior. It is required to ensure that the MCU is kept in Reset during such changes in the clock frequency.

Note that the System Clock Prescaler can be used to implement run-time changes of the internal clock frequency while still ensuring stable operation. Refer to [“System Clock Prescaler” on page 37](#) for details.

## 7.9 Clock Output Buffer

When the CKOUT Fuse is programmed, the system Clock will be output on CLKO. This mode is suitable when chip clock is used to drive other circuits on the system. The clock will be output also during reset and the normal operation of I/O pin will be overridden when the fuse is programmed. Any clock source, including internal RC Oscillator, can be selected when CLKO

serves as clock output. If the System Clock Prescaler is used, it is the divided system clock that is output (CKOUT Fuse programmed).

## 7.10 System Clock Prescaler

The AT90PWM216/316 system clock can be divided by setting the Clock Prescale Register – CLKPR. This feature can be used to decrease power consumption when the requirement for processing power is low. This can be used with all clock source options, and it will affect the clock frequency of the CPU and all synchronous peripherals.  $clk_{I/O}$ ,  $clk_{ADC}$ ,  $clk_{CPU}$ , and  $clk_{FLASH}$  are divided by a factor as shown in [Table 7-10](#).

When switching between prescaler settings, the System Clock Prescaler ensures that no glitches occurs in the clock system. It also ensures that no intermediate frequency is higher than neither the clock frequency corresponding to the previous setting, nor the clock frequency corresponding to the new setting. The ripple counter that implements the prescaler runs at the frequency of the undivided clock, which may be faster than the CPU's clock frequency. Hence, it is not possible to determine the state of the prescaler - even if it were readable, and the exact time it takes to switch from one clock division to the other cannot be exactly predicted. From the time the CLKPS values are written, it takes between  $T1 + T2$  and  $T1 + 2 * T2$  before the new clock frequency is active. In this interval, 2 active clock edges are produced. Here,  $T1$  is the previous clock period, and  $T2$  is the period corresponding to the new prescaler setting.

To avoid unintentional changes of clock frequency, a special write procedure must be followed to change the CLKPS bits:

1. Write the Clock Prescaler Change Enable (CLKPCE) bit to one and all other bits in CLKPR to zero.
2. Within four cycles, write the desired value to CLKPS while writing a zero to CLKPCE.

Interrupts must be disabled when changing prescaler setting to make sure the write procedure is not interrupted.

### 7.10.1 Clock Prescaler Register – CLKPR

Bit	7	6	5	4	3	2	1	0	
	CLKPCE	–	–	–	CLKPS3	CLKPS2	CLKPS1	CLKPS0	CLKPR
Read/Write	R/W	R	R	R	R/W	R/W	R/W	R/W	
Initial Value	0	0	0	0	See Bit Description				

- **Bit 7 – CLKPCE: Clock Prescaler Change Enable**

The CLKPCE bit must be written to logic one to enable change of the CLKPS bits. The CLKPCE bit is only updated when the other bits in CLKPR are simultaneously written to zero. CLKPCE is cleared by hardware four cycles after it is written or when CLKPS bits are written. Rewriting the CLKPCE bit within this time-out period does neither extend the time-out period, nor clear the CLKPCE bit.

- **Bits 3..0 – CLKPS3..0: Clock Prescaler Select Bits 3 - 0**

These bits define the division factor between the selected clock source and the internal system clock. These bits can be written run-time to vary the clock frequency to suit the application requirements. As the divider divides the master clock input to the MCU, the speed of all synchronous peripherals is reduced when a division factor is used. The division factors are given in [Table 7-10](#).

The CKDIV8 Fuse determines the initial value of the CLKPS bits. If CKDIV8 is unprogrammed, the CLKPS bits will be reset to “0000”. If CKDIV8 is programmed, CLKPS bits are reset to “0011”, giving a division factor of 8 at start up. This feature should be used if the selected clock source has a higher frequency than the maximum frequency of the device at the present operating conditions. Note that any value can be written to the CLKPS bits regardless of the CKDIV8 Fuse setting. The Application software must ensure that a sufficient division factor is chosen if the selected clock source has a higher frequency than the maximum frequency of the device at the present operating conditions. The device is shipped with the CKDIV8 Fuse programmed.

**Table 7-10.** Clock Prescaler Select

CLKPS3	CLKPS2	CLKPS1	CLKPS0	Clock Division Factor
0	0	0	0	1
0	0	0	1	2
0	0	1	0	4
0	0	1	1	8
0	1	0	0	16
0	1	0	1	32
0	1	1	0	64
0	1	1	1	128
1	0	0	0	256
1	0	0	1	Reserved
1	0	1	0	Reserved
1	0	1	1	Reserved
1	1	0	0	Reserved
1	1	0	1	Reserved
1	1	1	0	Reserved
1	1	1	1	Reserved

## 8. Power Management and Sleep Modes

Sleep modes enable the application to shut down unused modules in the MCU, thereby saving power. The AVR provides various sleep modes allowing the user to tailor the power consumption to the application’s requirements.

To enter any of the five sleep modes, the SE bit in SMCR must be written to logic one and a SLEEP instruction must be executed. The SM2, SM1, and SM0 bits in the SMCR Register select which sleep mode (Idle, ADC Noise Reduction, Power-down, Power-save, or Standby) will be activated by the SLEEP instruction. See Table 8-1 for a summary. If an enabled interrupt occurs while the MCU is in a sleep mode, the MCU wakes up. The MCU is then halted for four cycles in addition to the start-up time, executes the interrupt routine, and resumes execution from the instruction following SLEEP. The contents of the register file and SRAM are unaltered when the device wakes up from sleep. If a reset occurs during sleep mode, the MCU wakes up and executes from the Reset Vector.

Figure 7-1 on page 28 presents the different clock systems in the AT90PWM216/316, and their distribution. The figure is helpful in selecting an appropriate sleep mode.

### 8.0.1 Sleep Mode Control Register – SMCR

The Sleep Mode Control Register contains control bits for power management.

Bit	7	6	5	4	3	2	1	0	
	–	–	–	–	SM2	SM1	SM0	SE	SMCR
Read/Write	R	R	R	R	R/W	R/W	R/W	R/W	
Initial Value	0	0	0	0	0	0	0	0	

- **Bits 3..1 – SM2..0: Sleep Mode Select Bits 2, 1, and 0**

These bits select between the five available sleep modes as shown in Table 8-1.

**Table 8-1.** Sleep Mode Select

SM2	SM1	SM0	Sleep Mode
0	0	0	Idle
0	0	1	ADC Noise Reduction
0	1	0	Power-down
0	1	1	Reserved
1	0	0	Reserved
1	0	1	Reserved
1	1	0	Standby <sup>(1)</sup>
1	1	1	Reserved

**Note:** 1. Standby mode is only recommended for use with external crystals or resonators.

- **Bit 1 – SE: Sleep Enable**

The SE bit must be written to logic one to make the MCU enter the sleep mode when the SLEEP instruction is executed. To avoid the MCU entering the sleep mode unless it is the programmer’s purpose, it is recommended to write the Sleep Enable (SE) bit to one just before the execution of the SLEEP instruction and to clear it immediately after waking up.

## 8.1 Idle Mode

When the SM2..0 bits are written to 000, the SLEEP instruction makes the MCU enter Idle mode, stopping the CPU but allowing SPI, USART, Analog Comparator, ADC, Timer/Counters, Watchdog, and the interrupt system to continue operating. This sleep mode basically halt  $clk_{CPU}$  and  $clk_{FLASH}$ , while allowing the other clocks to run.

Idle mode enables the MCU to wake up from external triggered interrupts as well as internal ones like the Timer Overflow and USART Transmit Complete interrupts. If wake-up from the Analog Comparator interrupt is not required, the Analog Comparator can be powered down by setting the ACD bit in the Analog Comparator Control and Status Register – ACSR. This will reduce power consumption in Idle mode. If the ADC is enabled, a conversion starts automatically when this mode is entered.

## 8.2 ADC Noise Reduction Mode

When the SM2..0 bits are written to 001, the SLEEP instruction makes the MCU enter ADC Noise Reduction mode, stopping the CPU but allowing the ADC, the External Interrupts, Timer/Counter (if their clock source is external - T0 or T1) and the Watchdog to continue operating (if enabled). This sleep mode basically halts  $clk_{I/O}$ ,  $clk_{CPU}$ , and  $clk_{FLASH}$ , while allowing the other clocks to run.

This improves the noise environment for the ADC, enabling higher resolution measurements. If the ADC is enabled, a conversion starts automatically when this mode is entered. Apart from the ADC Conversion Complete interrupt, only an External Reset, a Watchdog Reset, a Brown-out Reset, a Timer/Counter interrupt, an SPM/EEPROM ready interrupt, an External Level Interrupt on INT3:0 can wake up the MCU from ADC Noise Reduction mode.

## 8.3 Power-down Mode

When the SM2..0 bits are written to 010, the SLEEP instruction makes the MCU enter Power-down mode. In this mode, the External Oscillator is stopped, while the External Interrupts and the Watchdog continue operating (if enabled). Only an External Reset, a Watchdog Reset, a Brown-out Reset, a PSC Interrupt, an External Level Interrupt on INT3:0 can wake up the MCU. This sleep mode basically halts all generated clocks, allowing operation of asynchronous modules only.

Note that if a level triggered interrupt is used for wake-up from Power-down mode, the changed level must be held for some time to wake up the MCU. Refer to [“External Interrupts” on page 80](#) for details.

When waking up from Power-down mode, there is a delay from the wake-up condition occurs until the wake-up becomes effective. This allows the clock to restart and become stable after having been stopped. The wake-up period is defined by the same CKSEL fuses that define the Reset Time-out period, as described in [“Clock Sources” on page 29](#).

## 8.4 Standby Mode

When the SM2..0 bits are 110 and an external crystal/resonator clock option is selected, the SLEEP instruction makes the MCU enter Standby mode. This mode is identical to Power-down



with the exception that the Oscillator is kept running. From Standby mode, the device wakes up in six clock cycles.

**Table 8-2.** Active Clock Domains and Wake-up Sources in the Different Sleep Modes.

Sleep Mode	Active Clock Domains					Oscillators	Wake-up Sources					
	clk <sub>CPU</sub>	clk <sub>FLASH</sub>	clk <sub>IO</sub>	clk <sub>ADC</sub>	clk <sub>PLL</sub>	Main Clock Source Enabled	INT3..0	PSC	SPM/EEPROM Ready	ADC	WDT	Other/I/O
Idle			X	X	X	X	X	X	X	X	X	X
ADC Noise Reduction				X	X	X	X <sup>(2)</sup>	X	X	X	X	
Power-down							X <sup>(2)</sup>	X			X	
Standby <sup>(1)</sup>						X	X <sup>(2)</sup>				X	

Notes: 1. Only recommended with external crystal or resonator selected as clock source.  
 2. Only level interrupt.

## 8.5 Power Reduction Register

The Power Reduction Register, PRR, provides a method to stop the clock to individual peripherals to reduce power consumption. The current state of the peripheral is frozen and the I/O registers can not be read or written. Resources used by the peripheral when stopping the clock will remain occupied, hence the peripheral should in most cases be disabled before stopping the clock. Waking up a module, which is done by clearing the bit in PRR, puts the module in the same state as before shutdown.

A full predictable behaviour of a peripheral is not guaranteed during and after a cycle of stopping and starting of its clock. So its recommended to stop a peripheral before stopping its clock with PRR register.

Module shutdown can be used in Idle mode and Active mode to significantly reduce the overall power consumption. In all other sleep modes, the clock is already stopped.

### 8.5.1 Power Reduction Register - PRR

Bit	7	6	5	4	3	2	1	0	
	PRPSC2	PRPSC1	PRPSC0	PRTIM1	PRTIM0	PRSPI	PRUSART	PRADC	PRR
Read/Write	R/W	R/W	R/W	R/W	R/W	R/W	R/W	R/W	
Initial Value	0	0	0	0	0	0	0	0	

- Bit 7 - PRPSC2: Power Reduction PSC2**

Writing a logic one to this bit reduces the consumption of the PSC2 by stopping the clock to this module. When waking up the PSC2 again, the PSC2 should be re initialized to ensure proper operation.

- **Bit 6 - PRPSC1: Power Reduction PSC1**

Writing a logic one to this bit reduces the consumption of the PSC1 by stopping the clock to this module. When waking up the PSC1 again, the PSC1 should be re initialized to ensure proper operation.

- **Bit 5 - PRPSC0: Power Reduction PSC0**

Writing a logic one to this bit reduces the consumption of the PSC0 by stopping the clock to this module. When waking up the PSC0 again, the PSC0 should be re initialized to ensure proper operation.

- **Bit 4 - PRTIM1: Power Reduction Timer/Counter1**

Writing a logic one to this bit reduces the consumption of the Timer/Counter1 module. When the Timer/Counter1 is enabled, operation will continue like before the setting of this bit.

- **Bit 3 - PRTIM0: Power Reduction Timer/Counter0**

Writing a logic one to this bit reduces the consumption of the Timer/Counter0 module. When the Timer/Counter0 is enabled, operation will continue like before the setting of this bit.

- **Bit 2 - PRSPI: Power Reduction Serial Peripheral Interface**

Writing a logic one to this bit reduces the consumption of the Serial Peripheral Interface by stopping the clock to this module. When waking up the SPI again, the SPI should be re initialized to ensure proper operation.

- **Bit 1 - PRUSART0: Power Reduction USART0**

Writing a logic one to this bit reduces the consumption of the USART by stopping the clock to this module. When waking up the USART again, the USART should be re initialized to ensure proper operation.

- **Bit 0 - PRADC: Power Reduction ADC**

Writing a logic one to this bit reduces the consumption of the ADC by stopping the clock to this module. The ADC must be disabled before using this function. The analog comparator cannot use the ADC input MUX when the clock of ADC is stopped.

## 8.6 Minimizing Power Consumption

There are several issues to consider when trying to minimize the power consumption in an AVR controlled system. In general, sleep modes should be used as much as possible, and the sleep mode should be selected so that as few as possible of the device's functions are operating. All functions not needed should be disabled. In particular, the following modules may need special consideration when trying to achieve the lowest possible power consumption.

### 8.6.1 Analog to Digital Converter

If enabled, the ADC will be enabled in all sleep modes. To save power, the ADC should be disabled before entering any sleep mode. When the ADC is turned off and on again, the next conversion will be an extended conversion. Refer to "CROSS REFERENCE REMOVED" for details on ADC operation.

### 8.6.2 Analog Comparator

When entering Idle mode, the Analog Comparator should be disabled if not used. When entering ADC Noise Reduction mode, the Analog Comparator should be disabled. In other sleep modes,

the Analog Comparator is automatically disabled. However, if the Analog Comparator is set up to use the Internal Voltage Reference as input, the Analog Comparator should be disabled in all sleep modes. Otherwise, the Internal Voltage Reference will be enabled, independent of sleep mode. Refer to [“Analog Comparator” on page 229](#) for details on how to configure the Analog Comparator.

### 8.6.3 Brown-out Detector

If the Brown-out Detector is not needed by the application, this module should be turned off. If the Brown-out Detector is enabled by the BODLEVEL Fuses, it will be enabled in all sleep modes, and hence, always consume power. In the deeper sleep modes, this will contribute significantly to the total current consumption. Refer to [“Brown-out Detection” on page 47](#) for details on how to configure the Brown-out Detector.

### 8.6.4 Internal Voltage Reference

The Internal Voltage Reference will be enabled when needed by the Brown-out Detection, the Analog Comparator or the ADC. If these modules are disabled as described in the sections above, the internal voltage reference will be disabled and it will not be consuming power. When turned on again, the user must allow the reference to start up before the output is used. If the reference is kept on in sleep mode, the output can be used immediately. Refer to [“Internal Voltage Reference” on page 49](#) for details on the start-up time.

### 8.6.5 Watchdog Timer

If the Watchdog Timer is not needed in the application, the module should be turned off. If the Watchdog Timer is enabled, it will be enabled in all sleep modes, and hence, always consume power. In the deeper sleep modes, this will contribute significantly to the total current consumption. Refer to [“Watchdog Timer” on page 49](#) for details on how to configure the Watchdog Timer.

### 8.6.6 Port Pins

When entering a sleep mode, all port pins should be configured to use minimum power. The most important is then to ensure that no pins drive resistive loads. In sleep modes where both the I/O clock ( $clk_{I/O}$ ) and the ADC clock ( $clk_{ADC}$ ) are stopped, the input buffers of the device will be disabled. This ensures that no power is consumed by the input logic when not needed. In some cases, the input logic is needed for detecting wake-up conditions, and it will then be enabled. Refer to the section [“I/O-Ports” on page 60](#) for details on which pins are enabled. If the input buffer is enabled and the input signal is left floating or have an analog signal level close to  $V_{CC}/2$ , the input buffer will use excessive power.

For analog input pins, the digital input buffer should be disabled at all times. An analog signal level close to  $V_{CC}/2$  on an input pin can cause significant current even in active mode. Digital input buffers can be disabled by writing to the Digital Input Disable Registers (DIDR1 and DIDR0). Refer to [“Digital Input Disable Register 1– DIDR1”](#) and [“Digital Input Disable Register 0 – DIDR0”](#) on [page 235](#) and [page 254](#) for details.

### 8.6.7 On-chip Debug System

If the On-chip debug system is enabled by OCDEN Fuse and the chip enter sleep mode, the main clock source is enabled, and hence, always consumes power. In the deeper sleep modes, this will contribute significantly to the total current consumption.

## 9. System Control and Reset

### 9.0.1 Resetting the AVR

During reset, all I/O Registers are set to their initial values, and the program starts execution from the Reset Vector. The instruction placed at the Reset Vector must be a JMP – Absolute Jump – instruction to the reset handling routine. If the program never enables an interrupt source, the Interrupt Vectors are not used, and regular program code can be placed at these locations. This is also the case if the Reset Vector is in the Application section while the Interrupt Vectors are in the Boot section or vice versa. The circuit diagram in [Figure 9-1](#) shows the reset logic. [Table 9-1](#) defines the electrical parameters of the reset circuitry.

The I/O ports of the AVR are immediately reset to their initial state when a reset source goes active. This does not require any clock source to be running.

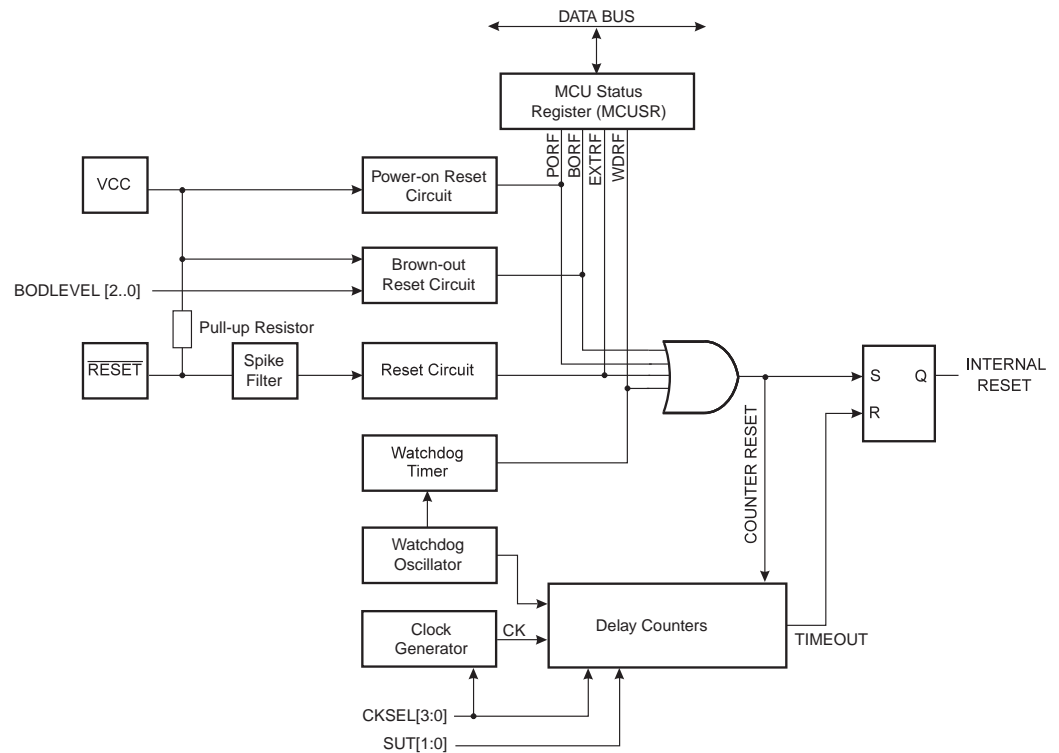
After all reset sources have gone inactive, a delay counter is invoked, stretching the internal reset. This allows the power to reach a stable level before normal operation starts. The time-out period of the delay counter is defined by the user through the SUT and CKSEL Fuses. The different selections for the delay period are presented in “[Clock Sources](#)” on page 29.

### 9.0.2 Reset Sources

The AT90PWM216/316 has four sources of reset:

- Power-on Reset. The MCU is reset when the supply voltage is below the Power-on Reset threshold ( $V_{POT}$ ).
- External Reset. The MCU is reset when a low level is present on the  $\overline{RESET}$  pin for longer than the minimum pulse length.
- Watchdog Reset. The MCU is reset when the Watchdog Timer period expires and the Watchdog is enabled.
- Brown-out Reset. The MCU is reset when the supply voltage  $V_{CC}$  is below the Brown-out Reset threshold ( $V_{BOT}$ ) and the Brown-out Detector is enabled.

**Figure 9-1. Reset Logic**



**Table 9-1. Reset Characteristics<sup>(1)</sup>**

Symbol	Parameter	Condition	Min.	Typ.	Max.	Units
V <sub>POT</sub>	Power-on Reset Threshold Voltage (rising)			1.4	2.3	V
	Power-on Reset Threshold Voltage (falling) <sup>(2)</sup>			1.3	2.3	V
V <sub>RST</sub>	$\overline{\text{RESET}}$ Pin Threshold Voltage		0.2V <sub>CC</sub>		0.85V <sub>CC</sub>	V
t <sub>RST</sub>	Minimum pulse width on $\overline{\text{RESET}}$ Pin			400		ns

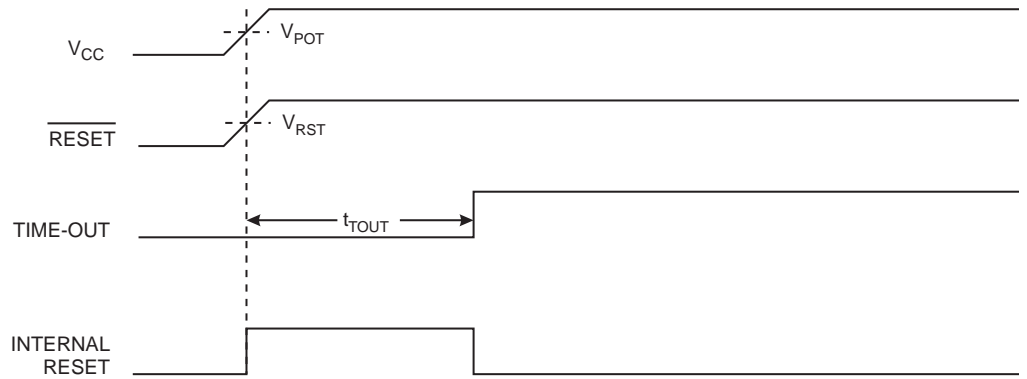
- Notes: 1. Values are guidelines only.  
 2. The Power-on Reset will not work unless the supply voltage has been below V<sub>POT</sub> (falling)

### 9.0.3 Power-on Reset

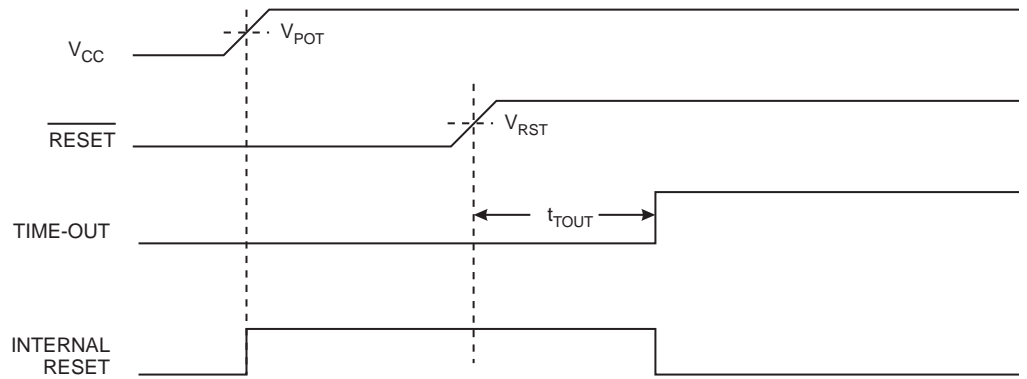
A Power-on Reset (POR) pulse is generated by an On-chip detection circuit. The detection level is defined in Table 9-1. The POR is activated whenever V<sub>CC</sub> is below the detection level. The POR circuit can be used to trigger the start-up Reset, as well as to detect a failure in supply voltage.

A Power-on Reset (POR) circuit ensures that the device is reset from Power-on. Reaching the Power-on Reset threshold voltage invokes the delay counter, which determines how long the device is kept in RESET after V<sub>CC</sub> rise. The RESET signal is activated again, without any delay, when V<sub>CC</sub> decreases below the detection level.

**Figure 9-2.** MCU Start-up,  $\overline{\text{RESET}}$  Tied to  $V_{CC}$



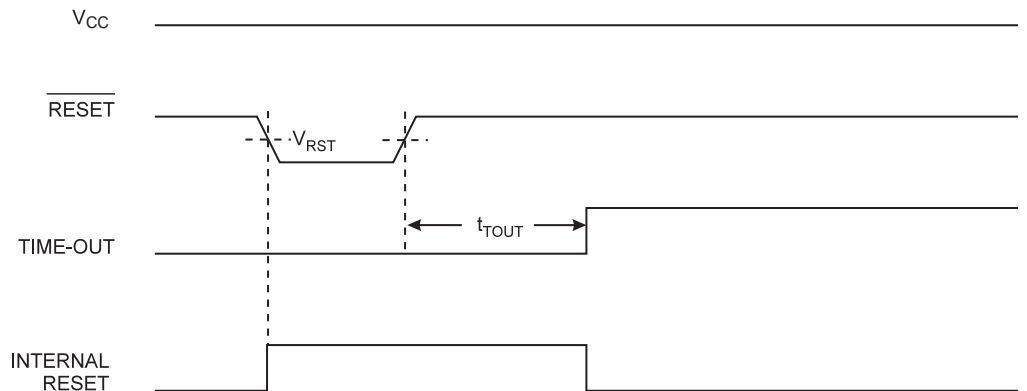
**Figure 9-3.** MCU Start-up,  $\overline{\text{RESET}}$  Extended Externally



#### 9.0.4 External Reset

An External Reset is generated by a low level on the  $\overline{\text{RESET}}$  pin. Reset pulses longer than the minimum pulse width (see [Table 9-1](#)) will generate a reset, even if the clock is not running. Shorter pulses are not guaranteed to generate a reset. When the applied signal reaches the Reset Threshold Voltage –  $V_{RST}$  – on its positive edge, the delay counter starts the MCU after the Time-out period –  $t_{TOUT}$  – has expired.

**Figure 9-4.** External Reset During Operation



## 9.0.5 Brown-out Detection

AT90PWM216/316 has an On-chip Brown-out Detection (BOD) circuit for monitoring the  $V_{CC}$  level during operation by comparing it to a fixed trigger level. The trigger level for the BOD can be selected by the BODLEVEL Fuses. The trigger level has a hysteresis to ensure spike free Brown-out Detection. The hysteresis on the detection level should be interpreted as  $V_{BOT+} = V_{BOT} + V_{HYST}/2$  and  $V_{BOT-} = V_{BOT} - V_{HYST}/2$ .

**Table 9-2.** BODLEVEL Fuse Coding<sup>(1)(2)</sup>

BODLEVEL 2..0 Fuses	Min $V_{BOT}$	Typ $V_{BOT}$	Max $V_{BOT}$	Units
111	BOD Disabled			
110		4.5		V
101		2.7		V
100		4.3		V
011		4.4		V
010		4.2		V
001		2.8		V
000		2.6		V

- Notes:
- $V_{BOT}$  may be below nominal minimum operating voltage for some devices. For devices where this is the case, the device is tested down to  $V_{CC} = V_{BOT}$  during the production test. This guarantees that a Brown-Out Reset will occur before  $V_{CC}$  drops to a voltage where correct operation of the microcontroller is no longer guaranteed. The test is performed using BODLEVEL = 010 for Low Operating Voltage and BODLEVEL = 101 for High Operating Voltage .
  - Values are guidelines only.

**Table 9-3.** Brown-out Characteristics<sup>(1)</sup>

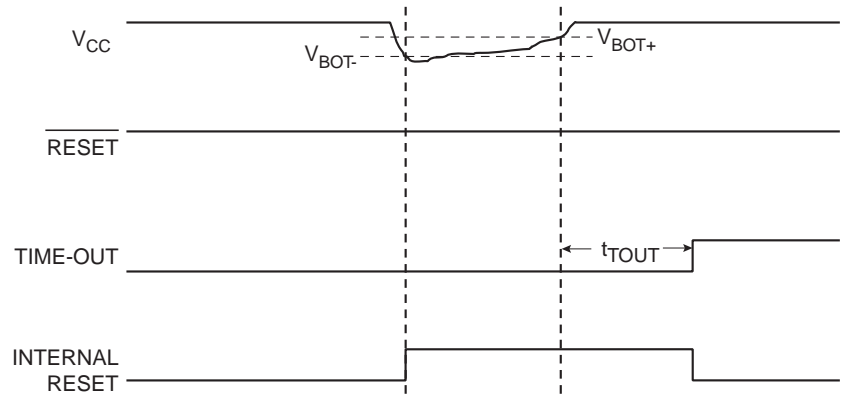
Symbol	Parameter	Min.	Typ.	Max.	Units
$V_{HYST}$	Brown-out Detector Hysteresis		70		mV
$t_{BOD}$	Min Pulse Width on Brown-out Reset		2		$\mu$ s

- Notes:
- Values are guidelines only.

When the BOD is enabled, and  $V_{CC}$  decreases to a value below the trigger level ( $V_{BOT-}$  in [Figure 9-5](#)), the Brown-out Reset is immediately activated. When  $V_{CC}$  increases above the trigger level ( $V_{BOT+}$  in [Figure 9-5](#)), the delay counter starts the MCU after the Time-out period  $t_{TOUT}$  has expired.

The BOD circuit will only detect a drop in  $V_{CC}$  if the voltage stays below the trigger level for longer than  $t_{BOD}$  given in [Table 9-3](#).

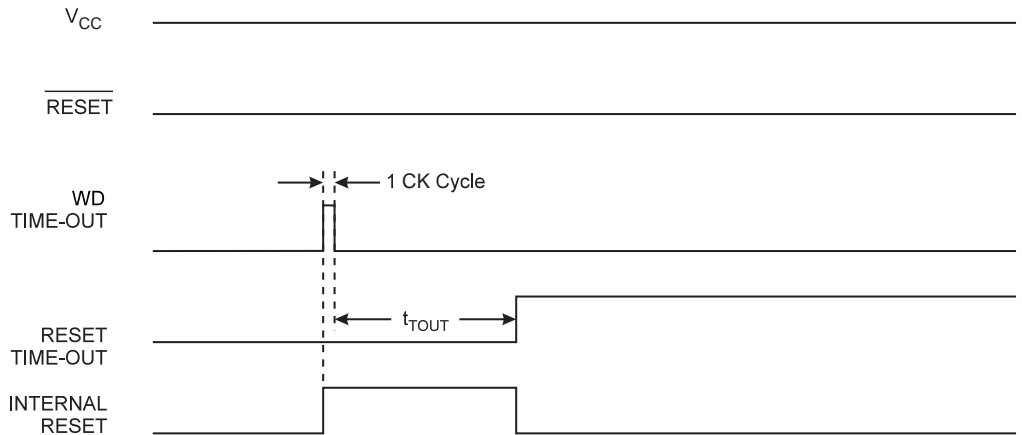
**Figure 9-5.** Brown-out Reset During Operation



### 9.0.6 Watchdog Reset

When the Watchdog times out, it will generate a short reset pulse of one CK cycle duration. On the falling edge of this pulse, the delay timer starts counting the Time-out period  $t_{TOUT}$ . Refer to [page 49](#) for details on operation of the Watchdog Timer.

**Figure 9-6.** Watchdog Reset During Operation



### 9.0.7 MCU Status Register – MCUSR

The MCU Status Register provides information on which reset source caused an MCU reset.

Bit	7	6	5	4	3	2	1	0	
	-	-	-	-	<b>WDRF</b>	<b>BORF</b>	<b>EXTRF</b>	<b>PORF</b>	MCUSR
Read/Write	R	R	R	R	R/W	R/W	R/W	R/W	
Initial Value	0	0	0	0					See Bit Description

- **Bit 3 – WDRF: Watchdog Reset Flag**

This bit is set if a Watchdog Reset occurs. The bit is reset by a Power-on Reset, or by writing a logic zero to the flag.

- **Bit 2 – BORF: Brown-out Reset Flag**

This bit is set if a Brown-out Reset occurs. The bit is reset by a Power-on Reset, or by writing a logic zero to the flag.



- **Bit 1 – EXTRF: External Reset Flag**

This bit is set if an External Reset occurs. The bit is reset by a Power-on Reset, or by writing a logic zero to the flag.

- **Bit 0 – PORF: Power-on Reset Flag**

This bit is set if a Power-on Reset occurs. The bit is reset only by writing a logic zero to the flag.

To make use of the Reset flags to identify a reset condition, the user should read and then reset the MCUSR as early as possible in the program. If the register is cleared before another reset occurs, the source of the reset can be found by examining the reset flags.

## 9.1 Internal Voltage Reference

AT90PWM216/316 features an internal bandgap reference. This reference is used for Brown-out Detection. The  $V_{REF}$  2.56V reference to the ADC, DAC or Analog Comparators is generated from the internal bandgap reference. In order to use the internal Vref, it is necessary to configure it thanks to the REFS1 and REFS0 bits in the ADMUX register and to set an analog feature which requires it.

### 9.1.1 Voltage Reference Enable Signals and Start-up Time

The voltage reference has a start-up time that may influence the way it should be used. The start-up time is given in [Table 9-4](#). To save power, the reference is not always turned on. The reference is on during the following situations:

1. When the BOD is enabled (by programming the BODLEVEL [2..0] Fuse).
2. When the bandgap reference is connected to the Analog Comparator (by setting the ACBG bit in ACSR).
3. When the ADC is enabled.
4. When the DAC is enabled.

Thus, when the BOD is not enabled, after setting the ACBG bit or enabling the ADC or the DAC, the user must always allow the reference to start up before the output from the Analog Comparator or ADC or DAC is used. To reduce power consumption in Power-down mode, the user can avoid the three conditions above to ensure that the reference is turned off before entering Power-down mode.

### 9.1.2 Voltage Reference Characteristics

**Table 9-4.** Internal Voltage Reference Characteristics<sup>(1)</sup>

Symbol	Parameter	Condition	Min.	Typ.	Max.	Units
$V_{BG}$	Bandgap reference voltage			1.1		V
$t_{BG}$	Bandgap reference start-up time			40		$\mu$ s
$I_{BG}$	Bandgap reference current consumption			15		$\mu$ A

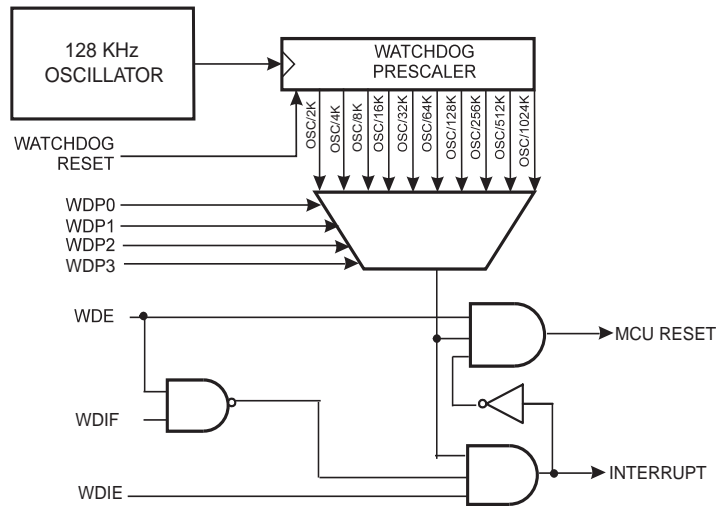
Note: 1. Values are guidelines only.

## 9.2 Watchdog Timer

AT90PWM216/316 has an Enhanced Watchdog Timer (WDT). The main features are:

- Clocked from separate On-chip Oscillator
- 3 Operating modes
  - Interrupt
  - System Reset
  - Interrupt and System Reset
- Selectable Time-out period from 16ms to 8s
- Possible Hardware fuse Watchdog always on (WDTON) for fail-safe mode

**Figure 9-7.** Watchdog Timer



The Watchdog Timer (WDT) is a timer counting cycles of a separate on-chip 128 kHz oscillator. The WDT gives an interrupt or a system reset when the counter reaches a given time-out value. In normal operation mode, it is required that the system uses the WDR - Watchdog Timer Reset - instruction to restart the counter before the time-out value is reached. If the system doesn't restart the counter, an interrupt or system reset will be issued.

In Interrupt mode, the WDT gives an interrupt when the timer expires. This interrupt can be used to wake the device from sleep-modes, and also as a general system timer. One example is to limit the maximum time allowed for certain operations, giving an interrupt when the operation has run longer than expected. In System Reset mode, the WDT gives a reset when the timer expires. This is typically used to prevent system hang-up in case of runaway code. The third mode, Interrupt and System Reset mode, combines the other two modes by first giving an interrupt and then switch to System Reset mode. This mode will for instance allow a safe shutdown by saving critical parameters before a system reset.

The "Watchdog Timer Always On" (WDTON) fuse, if programmed, will force the Watchdog Timer to System Reset mode. With the fuse programmed the System Reset mode bit (WDE) and Interrupt mode bit (WDIE) are locked to 1 and 0 respectively. To further ensure program security, alterations to the Watchdog set-up must follow timed sequences. The sequence for clearing WDE and changing time-out configuration is as follows:

1. In the same operation, write a logic one to the Watchdog change enable bit (WDCE) and WDE. A logic one must be written to WDE regardless of the previous value of the WDE bit.
2. Within the next four clock cycles, write the WDE and Watchdog prescaler bits (WDP) as desired, but with the WDCE bit cleared. This must be done in one operation.

The following code example shows one assembly and one C function for turning off the Watchdog Timer. The example assumes that interrupts are controlled (e.g. by disabling interrupts globally) so that no interrupts will occur during the execution of these functions.

TABLE 2.

Assembly Code Example <sup>(1)</sup>
<pre> WDT_off: ; Turn off global interrupt cli ; Reset Watchdog Timer wdr ; Clear WDRF in MCUSR in    r16, MCUSR andi  r16, (0xff &amp; (0&lt;&lt;WDRF)) out   MCUSR, r16 ; Write logical one to WDCE and WDE ; Keep old prescaler setting to prevent unintentional time-out lds   r16, WDTCSR ori   r16, (1&lt;&lt;WDCE)   (1&lt;&lt;WDE) sts   WDTCSR, r16 ; Turn off WDT ldi   r16, (0&lt;&lt;WDE) sts   WDTCSR, r16 ; Turn on global interrupt sei ret </pre>
C Code Example <sup>(1)</sup>
<pre> void WDT_off(void) {     __disable_interrupt();     __watchdog_reset();     /* Clear WDRF in MCUSR */     MCUSR &amp;= ~(1&lt;&lt;WDRF);     /* Write logical one to WDCE and WDE */     /* Keep old prescaler setting to prevent unintentional time-out */     WDTCSR  = (1&lt;&lt;WDCE)   (1&lt;&lt;WDE);     /* Turn off WDT */     WDTCSR = 0x00;     __enable_interrupt(); } </pre>

Note: 1. The example code assumes that the part specific header file is included.

Note: If the Watchdog is accidentally enabled, for example by a runaway pointer or brown-out condition, the device will be reset and the Watchdog Timer will stay enabled. If the code is not set up to handle the Watchdog, this might lead to an eternal loop of time-out resets. To avoid this situation, the application software should always clear the Watchdog System Reset Flag (WDRF) and the WDE control bit in the initialisation routine, even if the Watchdog is not in use.

The following code example shows one assembly and one C function for changing the time-out value of the Watchdog Timer.

**TABLE 2.**

Assembly Code Example <sup>(1)</sup>
<pre> WDT_Prescaler_Change: ; Turn off global interrupt cli ; Reset Watchdog Timer wdr ; Start timed sequence lds r16, WDTCR ori r16, (1&lt;&lt;WDCE)   (1&lt;&lt;WDE) sts WDTCR, r16 ; -- Got four cycles to set the new values from here - ; Set new prescaler(time-out) value = 64K cycles (~0.5 s) ldi r16, (1&lt;&lt;WDE)   (1&lt;&lt;WDP2)   (1&lt;&lt;WDP0) sts WDTCR, r16 ; -- Finished setting new values, used 2 cycles - ; Turn on global interrupt sei ret </pre>
C Code Example <sup>(1)</sup>
<pre> void WDT_Prescaler_Change(void) { __disable_interrupt(); __watchdog_reset(); /* Start timed equence */ WDTCR  = (1&lt;&lt;WDCE)   (1&lt;&lt;WDE); /* Set new prescaler(time-out) value = 64K cycles (~0.5 s) */ WDTCR = (1&lt;&lt;WDE)   (1&lt;&lt;WDP2)   (1&lt;&lt;WDP0); __enable_interrupt(); } </pre>

Note: 1. The example code assumes that the part specific header file is included.

Note: The Watchdog Timer should be reset before any change of the WDP bits, since a change in the WDP bits can result in a time-out when switching to a shorter time-out period;

### 9.2.1 Watchdog Timer Control Register - WDTCR

Bit	7	6	5	4	3	2	1	0	
	WDIF	WDIE	WDP3	WDCE	WDE	WDP2	WDP1	WDP0	WDTCR
Read/Write	R/W	R/W	R/W	R/W	R/W	R/W	R/W	R/W	
Initial Value	0	0	0	0	X	0	0	0	

- **Bit 7 - WDIF: Watchdog Interrupt Flag**

This bit is set when a time-out occurs in the Watchdog Timer and the Watchdog Timer is configured for interrupt. WDIF is cleared by hardware when executing the corresponding interrupt

handling vector. Alternatively, WDIF is cleared by writing a logic one to the flag. When the I-bit in SREG and WDIE are set, the Watchdog Time-out Interrupt is executed.

- **Bit 6 - WDIE: Watchdog Interrupt Enable**

When this bit is written to one and the I-bit in the Status Register is set, the Watchdog Interrupt is enabled. If WDE is cleared in combination with this setting, the Watchdog Timer is in Interrupt Mode, and the corresponding interrupt is executed if time-out in the Watchdog Timer occurs.

If WDE is set, the Watchdog Timer is in Interrupt and System Reset Mode. The first time-out in the Watchdog Timer will set WDIF. Executing the corresponding interrupt vector will clear WDIE and WDIF automatically by hardware (the Watchdog goes to System Reset Mode). This is useful for keeping the Watchdog Timer security while using the interrupt. To stay in Interrupt and System Reset Mode, WDIE must be set after each interrupt. This should however not be done within the interrupt service routine itself, as this might compromise the safety-function of the Watchdog System Reset mode. If the interrupt is not executed before the next time-out, a System Reset will be applied.

**Table 9-5.** Watchdog Timer Configuration

WDTON <sup>(1)</sup>	WDE	WDIE	Mode	Action on Time-out
0	0	0	Stopped	None
0	0	1	Interrupt Mode	Interrupt
0	1	0	System Reset Mode	Reset
0	1	1	Interrupt and System Reset Mode	Interrupt, then go to System Reset Mode
1	x	x	System Reset Mode	Reset

Note: 1. For the WDTON Fuse “1” means unprogrammed while “0” means programmed.

- **Bit 4 - WDCE: Watchdog Change Enable**

This bit is used in timed sequences for changing WDE and prescaler bits. To clear the WDE bit, and/or change the prescaler bits, WDCE must be set.

Once written to one, hardware will clear WDCE after four clock cycles.

- **Bit 3 - WDE: Watchdog System Reset Enable**

WDE is overridden by WDRF in MCUSR. This means that WDE is always set when WDRF is set. To clear WDE, WDRF must be cleared first. This feature ensures multiple resets during conditions causing failure, and a safe start-up after the failure.

- **Bit 5, 2..0 - WDP3..0: Watchdog Timer Prescaler 3, 2, 1 and 0**

The WDP3..0 bits determine the Watchdog Timer prescaling when the Watchdog Timer is running. The different prescaling values and their corresponding time-out periods are shown in [Table 9-6 on page 54](#).

**Table 9-6.** Watchdog Timer Prescale Select

WDP3	WDP2	WDP1	WDP0	Number of WDT Oscillator Cycles	Typical Time-out at $V_{CC} = 5.0V$
0	0	0	0	2K (2048) cycles	16 ms
0	0	0	1	4K (4096) cycles	32 ms
0	0	1	0	8K (8192) cycles	64 ms
0	0	1	1	16K (16384) cycles	0.125 s
0	1	0	0	32K (32768) cycles	0.25 s
0	1	0	1	64K (65536) cycles	0.5 s
0	1	1	0	128K (131072) cycles	1.0 s
0	1	1	1	256K (262144) cycles	2.0 s
1	0	0	0	512K (524288) cycles	4.0 s
1	0	0	1	1024K (1048576) cycles	8.0 s
1	0	1	0	Reserved	
1	0	1	1		
1	1	0	0		
1	1	0	1		
1	1	1	0		
1	1	1	1		

## 10. Interrupts

This section describes the specifics of the interrupt handling as performed in AT90PWM216/316. For a general explanation of the AVR interrupt handling, refer to [“Reset and Interrupt Handling” on page 15](#).

### 10.1 Interrupt Vectors in AT90PWM216/316

**Table 10-1.** Reset and Interrupt Vectors

Vector No.	Program Address	Source	Interrupt Definition
1	0x0000	RESET	External Pin, Power-on Reset, Brown-out Reset, Watchdog Reset, and Emulation AVR Reset
2	0x0002	PSC2 CAPT	PSC2 Capture Event
3	0x0004	PSC2 EC	PSC2 End Cycle
4	0x0006	PSC1 CAPT	PSC1 Capture Event
5	0x0008	PSC1 EC	PSC1 End Cycle
6	0x000A	PSC0 CAPT	PSC0 Capture Event
7	0x000C	PSC0 EC	PSC0 End Cycle
8	0x000E	ANACOMP 0	Analog Comparator 0
9	0x0010	ANACOMP 1	Analog Comparator 1
10	0x0012	ANACOMP 2	Analog Comparator 2
11	0x0014	INT0	External Interrupt Request 0
12	0x0016	TIMER1 CAPT	Timer/Counter1 Capture Event
13	0x0018	TIMER1 COMPA	Timer/Counter1 Compare Match A
14	0x001A	TIMER1 COMPB	Timer/Counter1 Compare Match B
15	0x001C		
16	0x001E	TIMER1 OVF	Timer/Counter1 Overflow
17	0x0020	TIMER0 COMPA	Timer/Counter0 Compare Match A
18	0x0022	TIMER0 OVF	Timer/Counter0 Overflow
19	0x0024	ADC	ADC Conversion Complete
20	0x0026	INT1	External Interrupt Request 1
21	0x0028	SPI, STC	SPI Serial Transfer Complete
22	0x002A	USART0, RX	USART0, Rx Complete
23	0x002C	USART0, UDRE	USART0 Data Register Empty
24	0x002E	USART0, TX	USART0, Tx Complete
25	0x0030	INT2	External Interrupt Request 2
26	0x0032	WDT	Watchdog Time-Out Interrupt
27	0x0034	EE READY	EEPROM Ready
28	0x0036	TIMER0 COMPB	Timer/Counter0 Compare Match B

**Table 10-1.** Reset and Interrupt Vectors

Vector No.	Program Address	Source	Interrupt Definition
29	0x0038	INT3	External Interrupt Request 3
30	0x003A		
31	0x003C		
32	0x003E	SPM READY	Store Program Memory Ready

- Notes:
1. When the BOOTRST Fuse is programmed, the device will jump to the Boot Loader address at reset, see [“Boot Loader Support – Read-While-Write Self-Programming”](#) on page 267.
  2. When the IVSEL bit in MCUCR is set, Interrupt Vectors will be moved to the start of the Boot Flash Section. The address of each Interrupt Vector will then be the address in this table added to the start address of the Boot Flash Section.

[Table 10-2](#) shows reset and Interrupt Vectors placement for the various combinations of BOOTRST and IVSEL settings. If the program never enables an interrupt source, the Interrupt Vectors are not used, and regular program code can be placed at these locations. This is also the case if the Reset Vector is in the Application section while the Interrupt Vectors are in the Boot section or vice versa.

**Table 10-2.** Reset and Interrupt Vectors Placement in AT90PWM216/316<sup>(1)</sup>

BOOTRST	IVSEL	Reset Address	Interrupt Vectors Start Address
1	0	0x000	0x001
1	1	0x000	Boot Reset Address + 0x001
0	0	Boot Reset Address	0x001
0	1	Boot Reset Address	Boot Reset Address + 0x001

- Note:
1. The Boot Reset Address is shown in [Table 24-6](#) on page 279. For the BOOTRST Fuse “1” means unprogrammed while “0” means programmed.

The most typical and general program setup for the Reset and Interrupt Vector Addresses in AT90PWM216/316 is:

Address	Labels	Code	Comments
0x000		rjmp RESET	; Reset Handler
0x002		rjmp PSC2_CAPT	; PSC2 Capture event Handler
0x004		rjmp PSC2_EC	; PSC2 End Cycle Handler
0x006		rjmp PSC1_CAPT	; PSC1 Capture event Handler
0x008		rjmp PSC1_EC	; PSC1 End Cycle Handler
0x00A		rjmp PSC0_CAPT	; PSC0 Capture event Handler
0x00C		rjmp PSC0_EC	; PSC0 End Cycle Handler
0x00E		rjmp ANA_COMP_0	; Analog Comparator 0 Handler
0x010		rjmp ANA_COMP_1	; Analog Comparator 1 Handler
0x012		rjmp ANA_COMP_2	; Analog Comparator 2 Handler
0x014		rjmp EXT_INT0	; IRQ0 Handler
0x016		rjmp TIM1_CAPT	; Timer1 Capture Handler
0x01A		rjmp TIM1_COMPA	; Timer1 Compare A Handler
0x01C		rjmp TIM1_COMPB	; Timer1 Compare B Handler



```

0x01E    rjmp    TIM1_OVF        ; Timer1 Overflow Handler
0x020          rjmp    TIM0_COMPA    ; Timer0 Compare A Handler
0x022          rjmp    TIM0_OVF        ; Timer0 Overflow Handler
0x024          rjmp    ADC            ; ADC Conversion Complete Handler
0x026          rjmp    EXT_INT1       ; IRQ1 Handler
0x028          rjmp    SPI_STC        ; SPI Transfer Complete Handler
0x02A          rjmp    USART_RXC      ; USART, RX Complete Handler
0x02C          rjmp    USART_UDRE     ; USART, UDR Empty Handler
0x02E          rjmp    USART_TXC      ; USART, TX Complete Handler
0x030          rjmp    EXT_INT2       ; IRQ2 Handler
0x032          rjmp    WDT            ; Watchdog Timer Handler
0x034          rjmp    EE_RDY         ; EEPROM Ready Handler
0x036          rjmp    TIM0_COMPB     ; Timer0 Compare B Handler
0x038          rjmp    EXT_INT3       ; IRQ3 Handler
0x03E          rjmp    SPM_RDY        ; Store Program Memory Ready Handler
;
0x040RESET: ldi    r16, high(RAMEND); Main program start
0x041          out    SPH,r16         ; Set Stack Pointer to top of RAM
0x042          ldi    r16, low(RAMEND)
0x043          out    SPL,r16
0x044          sei                      ; Enable interrupts
0x045          <instr> xxx
...

```

When the BOOTRST Fuse is unprogrammed, the Boot section size set to 2K bytes and the IVSEL bit in the MCUCR Register is set before any interrupts are enabled, the most typical and general program setup for the Reset and Interrupt Vector Addresses in AT90PWM216/316 is:

Address	Labels	Code	Comments
0x000	RESET:	ldi r16,high(RAMEND);	Main program start
0x001		out SPH,r16	; Set Stack Pointer to top of RAM
0x002		ldi r16,low(RAMEND)	
0x003		out SPL,r16	
0x004		sei	; Enable interrupts
0x005		<instr> xxx	
;			
.org 0xC01			
0xC01		rjmp PSC2_CAPT	; PSC2 Capture event Handler
0xC02		rjmp PSC2_EC	; PSC2 End Cycle Handler
...		...	;
0xC1F		rjmp SPM_RDY	; Store Program Memory Ready Handler

When the BOOTRST Fuse is programmed and the Boot section size set to 2K bytes, the most typical and general program setup for the Reset and Interrupt Vector Addresses in AT90PWM216/316 is:

Address	Labels	Code	Comments
.org 0x001			
0x001		rjmp PSC2_CAPT	; PSC2 Capture event Handler

```

0x002      rjmp  PSC2_EC      ; PSC2 End Cycle Handler
...        ...      ;
0x01F      rjmp  SPM_RDY     ; Store Program Memory Ready Handler
;
.org 0xC00
0xC00  RESET: ldi   r16,high(RAMEND); Main program start
0xC01      out   SPH,r16      ; Set Stack Pointer to top of RAM
0xC02      ldi   r16,low(RAMEND)
0xC03      out   SPL,r16
0xC04      sei                      ; Enable interrupts
0xC05      <instr> xxx

```

When the BOOTRST Fuse is programmed, the Boot section size set to 2K bytes and the IVSEL bit in the MCUCR Register is set before any interrupts are enabled, the most typical and general program setup for the Reset and Interrupt Vector Addresses in AT90PWM216/316 is:

```

Address Labels Code      Comments
;
.org 0xC00
0xC00      rjmp  RESET      ; Reset handler
0xC01      rjmp  PSC2_CAPT  ; PSC2 Capture event Handler
0xC02      rjmp  PSC2_EC    ; PSC2 End Cycle Handler
...        ...      ;
0xC1F      rjmp  SPM_RDY    ; Store Program Memory Ready Handler
;
0xC20  RESET: ldi   r16,high(RAMEND); Main program start
0xC21      out   SPH,r16      ; Set Stack Pointer to top of RAM
0xC22      ldi   r16,low(RAMEND)
0xC23      out   SPL,r16
0xC24      sei                      ; Enable interrupts
0xC25      <instr> xxx

```

### 10.1.1 Moving Interrupts Between Application and Boot Space

The MCU Control Register controls the placement of the Interrupt Vector table.

### 10.1.2 MCU Control Register – MCUCR

Bit	7	6	5	4	3	2	1	0	
	<b>SPIPS</b>	–	–	<b>PUD</b>	–	–	<b>IVSEL</b>	<b>IVCE</b>	<b>MCUCR</b>
Read/Write	R/W	R	R	R/W	R	R	R/W	R/W	
Initial Value	0	0	0	0	0	0	0	0	

- **Bit 1 – IVSEL: Interrupt Vector Select**

When the IVSEL bit is cleared (zero), the Interrupt Vectors are placed at the start of the Flash memory. When this bit is set (one), the Interrupt Vectors are moved to the beginning of the Boot Loader section of the Flash. The actual address of the start of the Boot Flash Section is determined by the BOOTSZ Fuses. Refer to the section [“Boot Loader Support – Read-While-Write”](#)

[Self-Programming](#) on page 267 for details. To avoid unintentional changes of Interrupt Vector tables, a special write procedure must be followed to change the IVSEL bit:

- a. Write the Interrupt Vector Change Enable (IVCE) bit to one.
- b. Within four cycles, write the desired value to IVSEL while writing a zero to IVCE.

Interrupts will automatically be disabled while this sequence is executed. Interrupts are disabled in the cycle IVCE is set, and they remain disabled until after the instruction following the write to IVSEL. If IVSEL is not written, interrupts remain disabled for four cycles. The I-bit in the Status Register is unaffected by the automatic disabling.

Note: If Interrupt Vectors are placed in the Boot Loader section and Boot Lock bit BLB02 is programmed, interrupts are disabled while executing from the Application section. If Interrupt Vectors are placed in the Application section and Boot Lock bit BLB12 is programmed, interrupts are disabled while executing from the Boot Loader section. Refer to the section [“Boot Loader Support – Read-While-Write Self-Programming”](#) on page 267 for details on Boot Lock bits.

- **Bit 0 – IVCE: Interrupt Vector Change Enable**

The IVCE bit must be written to logic one to enable change of the IVSEL bit. IVCE is cleared by hardware four cycles after it is written or when IVSEL is written. Setting the IVCE bit will disable interrupts, as explained in the IVSEL description above. See Code Example below.

**TABLE 2.**

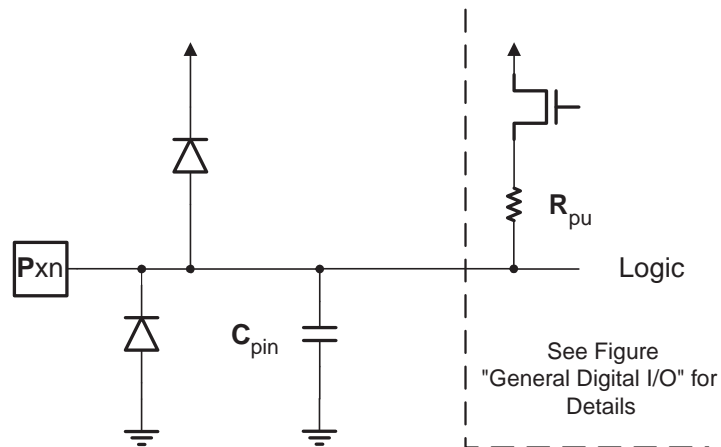
Assembly Code Example
<pre> Move_interrupts:     ; Enable change of Interrupt Vectors     ldi r16, (1&lt;&lt;IVCE)     out MCUCR, r16     ; Move interrupts to Boot Flash section     ldi r16, (1&lt;&lt;IVSEL)     out MCUCR, r16     ret         </pre>
C Code Example
<pre> void Move_interrupts(void) {     /* Enable change of Interrupt Vectors */     MCUCR = (1&lt;&lt;IVCE);     /* Move interrupts to Boot Flash section */     MCUCR = (1&lt;&lt;IVSEL); }         </pre>

## 11. I/O-Ports

### 11.1 Introduction

All AVR ports have true Read-Modify-Write functionality when used as general digital I/O ports. This means that the direction of one port pin can be changed without unintentionally changing the direction of any other pin with the SBI and CBI instructions. The same applies when changing drive value (if configured as output) or enabling/disabling of pull-up resistors (if configured as input). Each output buffer has symmetrical drive characteristics with both high sink and source capability. All port pins have individually selectable pull-up resistors with a supply-voltage invariant resistance. All I/O pins have protection diodes to both  $V_{CC}$  and Ground as indicated in [Figure 11-1](#). Refer to [“Electrical Characteristics\(1\)” on page 301](#) for a complete list of parameters.

**Figure 11-1.** I/O Pin Equivalent Schematic



All registers and bit references in this section are written in general form. A lower case “x” represents the numbering letter for the port, and a lower case “n” represents the bit number. However, when using the register or bit defines in a program, the precise form must be used. For example, PORTB3 for bit no. 3 in Port B, here documented generally as PORTxn. The physical I/O Registers and bit locations are listed in “Register Description for I/O-Ports”.

Three I/O memory address locations are allocated for each port, one each for the Data Register – PORTx, Data Direction Register – DDRx, and the Port Input Pins – PINx. The Port Input Pins I/O location is read only, while the Data Register and the Data Direction Register are read/write. However, writing a logic one to a bit in the PINx Register, will result in a toggle in the corresponding bit in the Data Register. In addition, the Pull-up Disable – PUD bit in MCUCR disables the pull-up function for all pins in all ports when set.

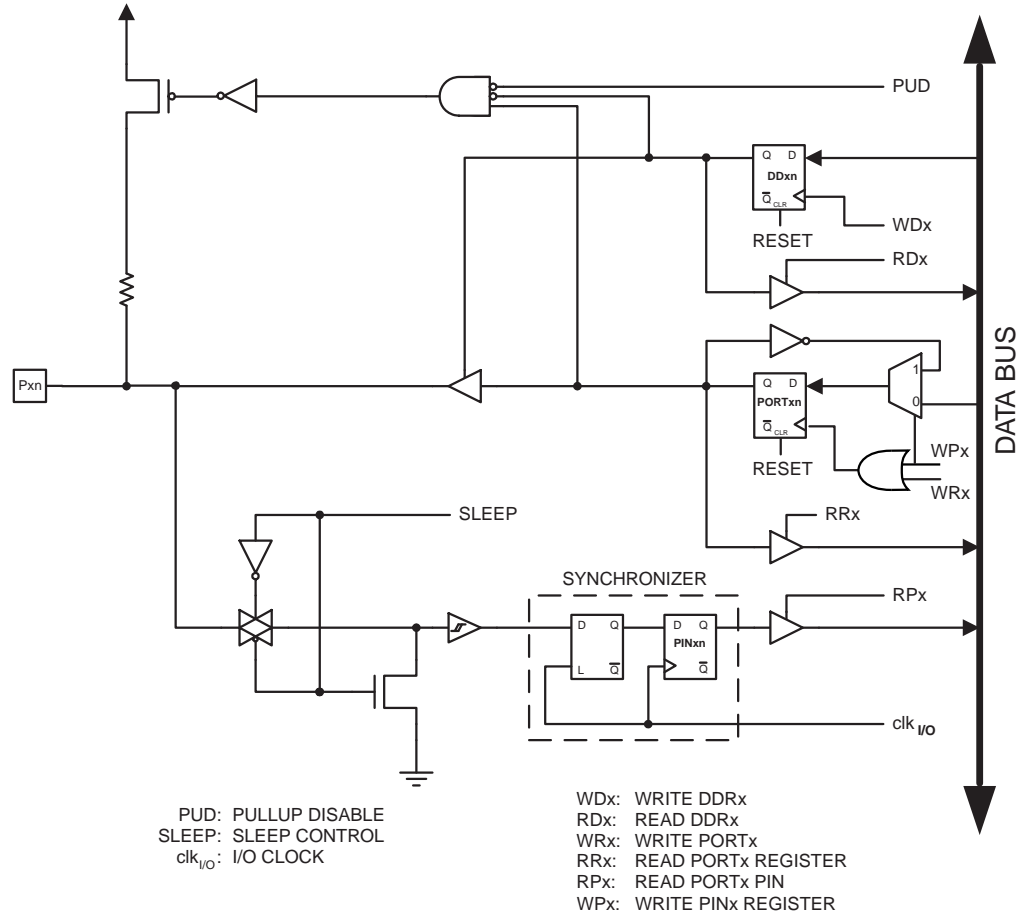
Using the I/O port as General Digital I/O is described in “Ports as General Digital I/O”. Most port pins are multiplexed with alternate functions for the peripheral features on the device. How each alternate function interferes with the port pin is described in [“Alternate Port Functions” on page 65](#). Refer to the individual module sections for a full description of the alternate functions.

Note that enabling the alternate function of some of the port pins does not affect the use of the other pins in the port as general digital I/O.

## 11.2 Ports as General Digital I/O

The ports are bi-directional I/O ports with optional internal pull-ups. Figure 11-2 shows a functional description of one I/O-port pin, here generically called Pxn.

Figure 11-2. General Digital I/O<sup>(1)</sup>



Note: 1. WRx, WPx, WDx, RRx, RPx, and RDx are common to all pins within the same port. clk<sub>I/O</sub>, SLEEP, and PUD are common to all ports.

### 11.2.1 Configuring the Pin

Each port pin consists of three register bits: DDxn, PORTxn, and PINxn. As shown in “[Register Description for I/O-Ports](#)” on page 78, the DDxn bits are accessed at the DDRx I/O address, the PORTxn bits at the PORTx I/O address, and the PINxn bits at the PINx I/O address.

The DDxn bit in the DDRx Register selects the direction of this pin. If DDxn is written logic one, Pxn is configured as an output pin. If DDxn is written logic zero, Pxn is configured as an input pin.

If PORTxn is written logic one when the pin is configured as an input pin, the pull-up resistor is activated. To switch the pull-up resistor off, PORTxn has to be written logic zero or the pin has to be configured as an output pin

The port pins are tri-stated when reset condition becomes active, even if no clocks are running.

If PORT<sub>xn</sub> is written logic one when the pin is configured as an output pin, the port pin is driven high (one). If PORT<sub>xn</sub> is written logic zero when the pin is configured as an output pin, the port pin is driven low (zero).

### 11.2.2 Toggling the Pin

Writing a logic one to PIN<sub>xn</sub> toggles the value of PORT<sub>xn</sub>, independent on the value of DDR<sub>xn</sub>. Note that the SBI instruction can be used to toggle one single bit in a port.

### 11.2.3 Switching Between Input and Output

When switching between tri-state ({DDR<sub>xn</sub>, PORT<sub>xn</sub>} = 0b00) and output high ({DDR<sub>xn</sub>, PORT<sub>xn</sub>} = 0b11), an intermediate state with either pull-up enabled {DDR<sub>xn</sub>, PORT<sub>xn</sub>} = 0b01) or output low ({DDR<sub>xn</sub>, PORT<sub>xn</sub>} = 0b10) must occur. Normally, the pull-up enabled state is fully acceptable, as a high-impedant environment will not notice the difference between a strong high driver and a pull-up. If this is not the case, the PUD bit in the MCUCR Register can be set to disable all pull-ups in all ports.

Switching between input with pull-up and output low generates the same problem. The user must use either the tri-state ({DDR<sub>xn</sub>, PORT<sub>xn</sub>} = 0b00) or the output high state ({DDR<sub>xn</sub>, PORT<sub>xn</sub>} = 0b11) as an intermediate step.

Table 11-1 summarizes the control signals for the pin value.

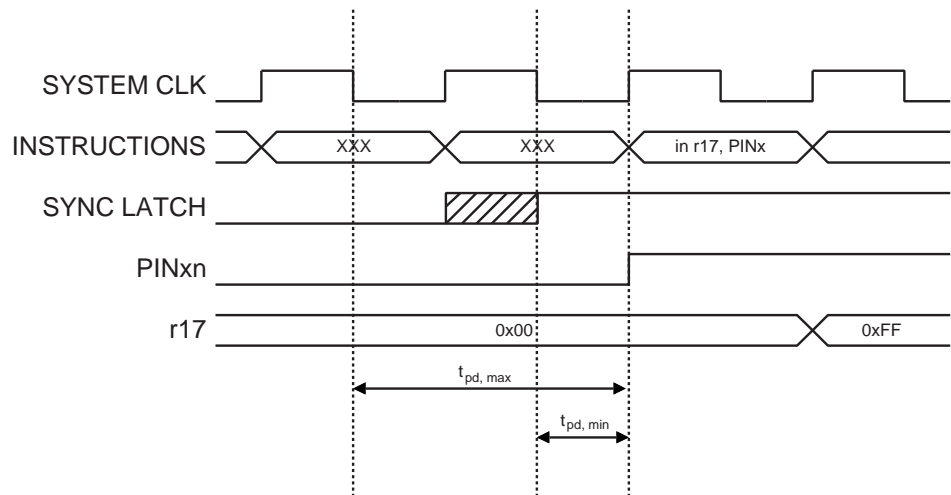
**Table 11-1.** Port Pin Configurations

DDR <sub>xn</sub>	PORT <sub>xn</sub>	PUD (in MCUCR)	I/O	Pull-up	Comment
0	0	X	Input	No	Default configuration after Reset. Tri-state (Hi-Z)
0	1	0	Input	Yes	P <sub>xn</sub> will source current if ext. pulled low.
0	1	1	Input	No	Tri-state (Hi-Z)
1	0	X	Output	No	Output Low (Sink)
1	1	X	Output	No	Output High (Source)

### 11.2.4 Reading the Pin Value

Independent of the setting of Data Direction bit DDR<sub>xn</sub>, the port pin can be read through the PIN<sub>xn</sub> Register bit. As shown in Figure 11-2, the PIN<sub>xn</sub> Register bit and the preceding latch constitute a synchronizer. This is needed to avoid metastability if the physical pin changes value near the edge of the internal clock, but it also introduces a delay. Figure 11-3 shows a timing diagram of the synchronization when reading an externally applied pin value. The maximum and minimum propagation delays are denoted  $t_{pd,max}$  and  $t_{pd,min}$  respectively.

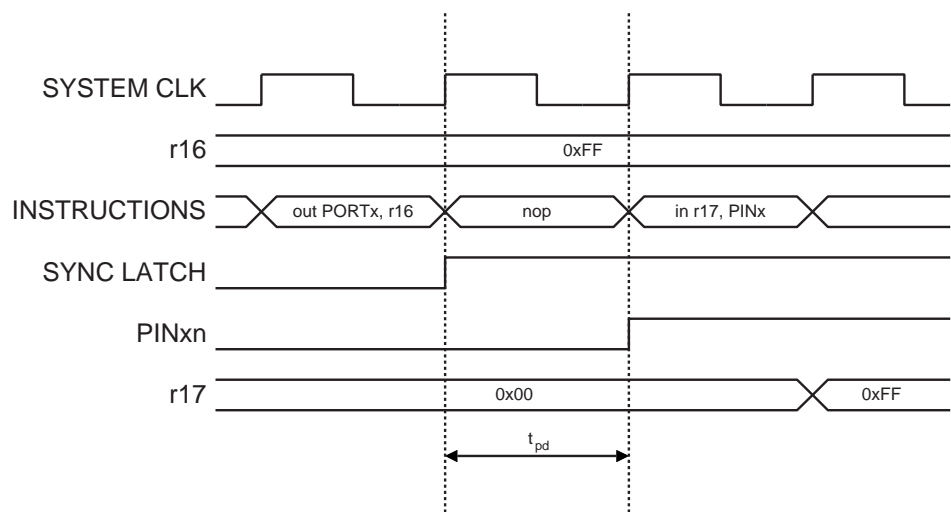
**Figure 11-3.** Synchronization when Reading an Externally Applied Pin value



Consider the clock period starting shortly after the first falling edge of the system clock. The latch is closed when the clock is low, and goes transparent when the clock is high, as indicated by the shaded region of the “SYNC LATCH” signal. The signal value is latched when the system clock goes low. It is clocked into the PINxn Register at the succeeding positive clock edge. As indicated by the two arrows  $t_{pd,max}$  and  $t_{pd,min}$ , a single signal transition on the pin will be delayed between  $\frac{1}{2}$  and  $1\frac{1}{2}$  system clock period depending upon the time of assertion.

When reading back a software assigned pin value, a nop instruction must be inserted as indicated in [Figure 11-4](#). The out instruction sets the “SYNC LATCH” signal at the positive edge of the clock. In this case, the delay  $t_{pd}$  through the synchronizer is 1 system clock period.

**Figure 11-4.** Synchronization when Reading a Software Assigned Pin Value



The following code example shows how to set port B pins 0 and 1 high, 2 and 3 low, and define the port pins from 4 to 7 as input with pull-ups assigned to port pins 6 and 7. The resulting pin

values are read back again, but as previously discussed, a nop instruction is included to be able to read back the value recently assigned to some of the pins.

**TABLE 2.**

Assembly Code Example <sup>(1)</sup>
<pre> ... ; Define pull-ups and set outputs high ; Define directions for port pins ldi r16, (1&lt;&lt;PB7)   (1&lt;&lt;PB6)   (1&lt;&lt;PB1)   (1&lt;&lt;PB0) ldi r17, (1&lt;&lt;DDB3)   (1&lt;&lt;DDB2)   (1&lt;&lt;DDB1)   (1&lt;&lt;DDB0) out PORTB, r16 out DDRB, r17 ; Insert nop for synchronization nop ; Read port pins in r16, PINB ... </pre>
C Code Example
<pre> unsigned char i; ... /* Define pull-ups and set outputs high */ /* Define directions for port pins */ PORTB = (1&lt;&lt;PB7)   (1&lt;&lt;PB6)   (1&lt;&lt;PB1)   (1&lt;&lt;PB0); DDRB = (1&lt;&lt;DDB3)   (1&lt;&lt;DDB2)   (1&lt;&lt;DDB1)   (1&lt;&lt;DDB0); /* Insert nop for synchronization*/ _NOP(); /* Read port pins */ i = PINB; ... </pre>

Note: 1. For the assembly program, two temporary registers are used to minimize the time from pull-ups are set on pins 0, 1, 6, and 7, until the direction bits are correctly set, defining bit 2 and 3 as low and redefining bits 0 and 1 as strong high drivers.

### 11.2.5 Digital Input Enable and Sleep Modes

As shown in [Figure 11-2](#), the digital input signal can be clamped to ground at the input of the schmitt-trigger. The signal denoted SLEEP in the figure, is set by the MCU Sleep Controller in Power-down mode, Power-save mode, and Standby mode to avoid high power consumption if some input signals are left floating, or have an analog signal level close to  $V_{CC}/2$ .

SLEEP is overridden for port pins enabled as external interrupt pins. If the external interrupt request is not enabled, SLEEP is active also for these pins. SLEEP is also overridden by various other alternate functions as described in [“Alternate Port Functions” on page 65](#).

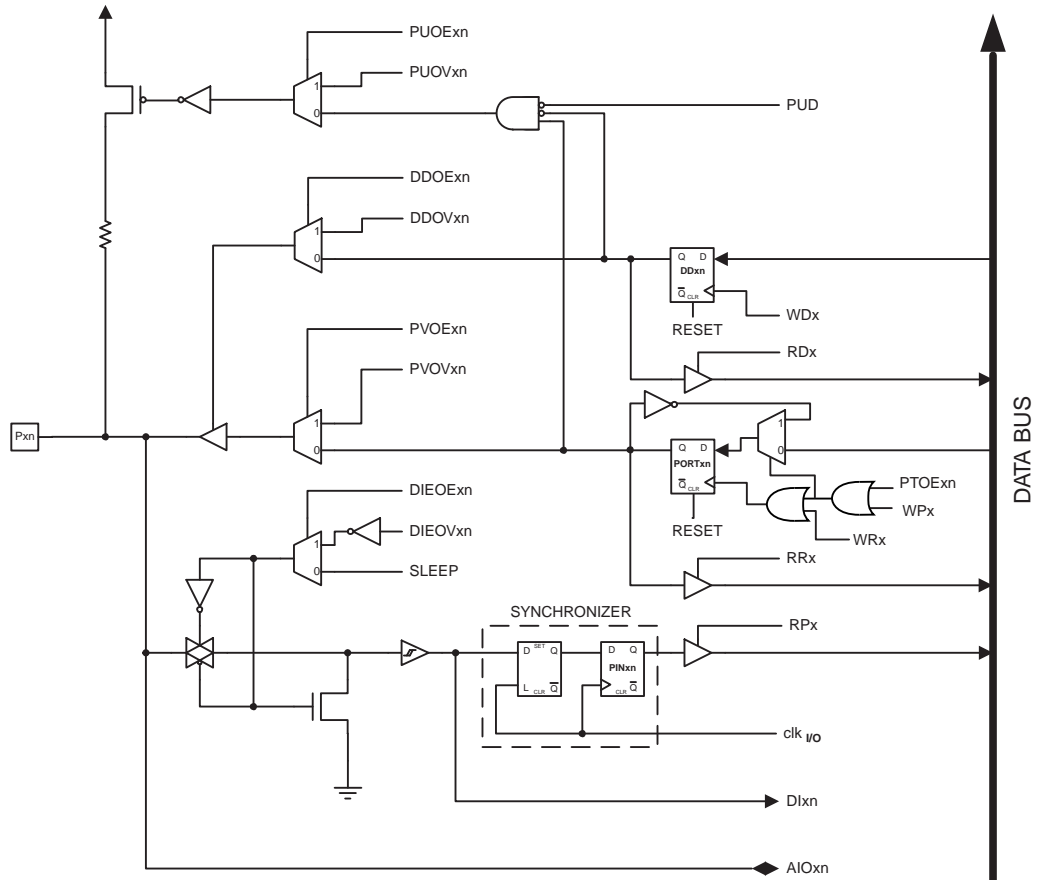
If a logic high level (“one”) is present on an Asynchronous External Interrupt pin configured as “Interrupt on Rising Edge, Falling Edge, or Any Logic Change on Pin” while the external interrupt is not enabled, the corresponding External Interrupt Flag will be set when resuming from the above mentioned sleep modes, as the clamping in these sleep modes produces the requested logic change.



## 11.3 Alternate Port Functions

Most port pins have alternate functions in addition to being general digital I/Os. Figure 11-5 shows how the port pin control signals from the simplified Figure 11-2 can be overridden by alternate functions. The overriding signals may not be present in all port pins, but the figure serves as a generic description applicable to all port pins in the AVR microcontroller family.

Figure 11-5. Alternate Port Functions<sup>(1)</sup>



PUOE <sub>xn</sub> : P <sub>xn</sub> PULL-UP OVERRIDE ENABLE	PUD: PULLUP DISABLE
PUOV <sub>xn</sub> : P <sub>xn</sub> PULL-UP OVERRIDE VALUE	WD <sub>x</sub> : WRITE DDR <sub>x</sub>
DDOE <sub>xn</sub> : P <sub>xn</sub> DATA DIRECTION OVERRIDE ENABLE	RD <sub>x</sub> : READ DDR <sub>x</sub>
DDOV <sub>xn</sub> : P <sub>xn</sub> DATA DIRECTION OVERRIDE VALUE	RR <sub>x</sub> : READ PORT <sub>x</sub> REGISTER
PVOE <sub>xn</sub> : P <sub>xn</sub> PORT VALUE OVERRIDE ENABLE	WR <sub>x</sub> : WRITE PORT <sub>x</sub>
PVOV <sub>xn</sub> : P <sub>xn</sub> PORT VALUE OVERRIDE VALUE	RP <sub>x</sub> : READ PORT <sub>x</sub> PIN
DIEOE <sub>xn</sub> : P <sub>xn</sub> DIGITAL INPUT-ENABLE OVERRIDE ENABLE	WP <sub>x</sub> : WRITE PIN <sub>x</sub>
DIEOV <sub>xn</sub> : P <sub>xn</sub> DIGITAL INPUT-ENABLE OVERRIDE VALUE	clk <sub>I/O</sub> : I/O CLOCK
SLEEP: SLEEP CONTROL	Dinx: DIGITAL INPUT PIN n ON PORT <sub>x</sub>
PTOE <sub>xn</sub> : P <sub>xn</sub> , PORT TOGGLE OVERRIDE ENABLE	AIO <sub>xn</sub> : ANALOG INPUT/OUTPUT PIN n ON PORT <sub>x</sub>

Note: 1. WR<sub>x</sub>, WP<sub>x</sub>, WD<sub>x</sub>, RR<sub>x</sub>, RP<sub>x</sub>, and RD<sub>x</sub> are common to all pins within the same port. clk<sub>I/O</sub>, SLEEP, and PUD are common to all ports. All other signals are unique for each pin.

Table 11-2 summarizes the function of the overriding signals. The pin and port indexes from Figure 11-5 are not shown in the succeeding tables. The overriding signals are generated internally in the modules having the alternate function.

**Table 11-2.** Generic Description of Overriding Signals for Alternate Functions

Signal Name	Full Name	Description
PUOE	Pull-up Override Enable	If this signal is set, the pull-up enable is controlled by the PUOV signal. If this signal is cleared, the pull-up is enabled when {DDxn, PORTxn, PUD} = 0b010.
PUOV	Pull-up Override Value	If PUOE is set, the pull-up is enabled/disabled when PUOV is set/cleared, regardless of the setting of the DDxn, PORTxn, and PUD Register bits.
DDOE	Data Direction Override Enable	If this signal is set, the Output Driver Enable is controlled by the DDOV signal. If this signal is cleared, the Output driver is enabled by the DDxn Register bit.
DDOV	Data Direction Override Value	If DDOE is set, the Output Driver is enabled/disabled when DDOV is set/cleared, regardless of the setting of the DDxn Register bit.
PVOE	Port Value Override Enable	If this signal is set and the Output Driver is enabled, the port value is controlled by the PVOV signal. If PVOE is cleared, and the Output Driver is enabled, the port Value is controlled by the PORTxn Register bit.
PVOV	Port Value Override Value	If PVOE is set, the port value is set to PVOV, regardless of the setting of the PORTxn Register bit.
PTOE	Port Toggle Override Enable	If PTOE is set, the PORTxn Register bit is inverted.
DIEOE	Digital Input Enable Override Enable	If this bit is set, the Digital Input Enable is controlled by the DIEOV signal. If this signal is cleared, the Digital Input Enable is determined by MCU state (Normal mode, sleep mode).
DIEOV	Digital Input Enable Override Value	If DIEOE is set, the Digital Input is enabled/disabled when DIEOV is set/cleared, regardless of the MCU state (Normal mode, sleep mode).
DI	Digital Input	This is the Digital Input to alternate functions. In the figure, the signal is connected to the output of the schmitt trigger but before the synchronizer. Unless the Digital Input is used as a clock source, the module with the alternate function will use its own synchronizer.
AIO	Analog Input/Output	This is the Analog Input/output to/from alternate functions. The signal is connected directly to the pad, and can be used bi-directionally.

The following subsections shortly describe the alternate functions for each port, and relate the overriding signals to the alternate function. Refer to the alternate function description for further details.

## 11.3.1 MCU Control Register – MCUCR

Bit	7	6	5	4	3	2	1	0	<b>MCUCR</b>
	<b>SPIPS</b>	–	–	<b>PUD</b>	–	–	<b>IVSEL</b>	<b>IVCE</b>	
Read/Write	R/W	R	R	R/W	R	R	R/W	R/W	
Initial Value	0	0	0	0	0	0	0	0	

- **Bit 4 – PUD: Pull-up Disable**

When this bit is written to one, the pull-ups in the I/O ports are disabled even if the DDxn and PORTxn Registers are configured to enable the pull-ups ({DDxn, PORTxn} = 0b01). See

## 11.3.2 Alternate Functions of Port B

The Port B pins with alternate functions are shown in [Table 11-3](#).

**Table 11-3.** Port B Pins Alternate Functions

Port Pin	Alternate Functions
PB7	PSCOUT01 output ADC4 (Analog Input Channel 4) SCK (SPI Bus Serial Clock)
PB6	ADC7 (Analog Input Channel 7) ICP1B (Timer 1 input capture alternate input) PSCOUT11 output (see note 4)
PB5	ADC6 (Analog Input Channel 6) INT2
PB4	AMP0+ (Analog Differential Amplifier 0 Input Channel )
PB3	AMP0- (Analog Differential Amplifier 0 Input Channel )
PB2	ADC5 (Analog Input Channel 5) INT1
PB1	MOSI (SPI Master Out Slave In) PSCOUT21 output
PB0	MISO (SPI Master In Slave Out) PSCOUT20 output

The alternate pin configuration is as follows:

- **PSCOUT01/ADC4/SCK – Bit 7**

PSCOUT01: Output 1 of PSC 0.

ADC4, Analog to Digital Converter, input channel 4.

SCK: Master Clock output, Slave Clock input pin for SPI channel. When the SPI is enabled as a slave, this pin is configured as an input regardless of the setting of DDB7. When the SPI is enabled as a master, the data direction of this pin is controlled by DDB7. When the pin is forced to be an input, the pull-up can still be controlled by the PORTB7 bit.

- **ADC7/ICP1B/PSCOUT11 – Bit 6**

ADC7, Analog to Digital Converter, input channel 7.

ICP1B, Input Capture Pin: The PB6 pin can act as an Input Capture Pin for Timer/Counter1.

PSCOUT11: Output 1 of PSC 1.

- **ADC6/ $\overline{\text{INT2}}$  – Bit 5**

ADC6, Analog to Digital Converter, input channel 6.

INT2, External Interrupt source 2. This pin can serve as an External Interrupt source to the MCU.

- **APM0+ – Bit 4**

AMP0+, Analog Differential Amplifier 0 Positive Input Channel.

- **AMP0- – Bit 3**

AMP0-, Analog Differential Amplifier 0 Negative Input Channel.

- **ADC5/ $\overline{\text{INT1}}$  – Bit 2**

ADC5, Analog to Digital Converter, input channel 5.

INT1, External Interrupt source 1. This pin can serve as an external interrupt source to the MCU.

- **MOSI/PSCOUT21 – Bit 1**

MOSI: SPI Master Data output, Slave Data input for SPI channel. When the SPI is enabled as a slave, this pin is configured as an input regardless of the setting of DDB1. When the SPI is enabled as a master, the data direction of this pin is controlled by DDB1. When the pin is forced to be an input, the pull-up can still be controlled by the PORTB1 and PUD bits.

PSCOUT21: Output 1 of PSC 2.

- **MISO/PSC20 – Bit 0**

MISO: Master Data input, Slave Data output pin for SPI channel. When the SPI is enabled as a master, this pin is configured as an input regardless of the setting of DDB0. When the SPI is enabled as a slave, the data direction of this pin is controlled by DDB0. When the pin is forced to be an input, the pull-up can still be controlled by the PORTB0 and PUD bits.

PSCOUT20: Output 0 of PSC 2.

Table 11-4 and Table 11-5 relates the alternate functions of Port B to the overriding signals shown in Figure 11-5 on page 65.

**Table 11-4.** Overriding Signals for Alternate Functions in PB7..PB4

Signal Name	PB7/ADC4/ PSCOUT01/SCK	PB6/ADC7/ PSCOUT11/ ICP1B	PB5/ADC6/ INT2	PB4/AMP0+
PUOE	$SPE \cdot \overline{MSTR} \cdot \overline{SPIPS}$	0	0	0
PUOV	$PB7 \cdot \overline{PUD} \cdot \overline{SPIPS}$	0	0	0
DDOE	$SPE \cdot \overline{MSTR} \cdot \overline{SPIPS}$ + PSCen01	PSCen11	0	0
DDOV	PSCen01	1	0	0
PVOE	$SPE \cdot MSTR \cdot \overline{SPIPS}$	PSCen11	0	0
PVOV	$PSCout01 \cdot SPIPS +$ $PSCout01 \cdot$ $PSCen01 \cdot \overline{SPIPS}$ $+ PSCout01 \cdot$ $PSCen01 \cdot \overline{SPIPS}$	PSCOUT11	0	0
DIEOE	ADC4D	ADC7D	ADC6D + In2en	AMP0ND
DIEOV	0	0	In2en	0
DI	$\overline{SCKin} \cdot \overline{SPIPS} \cdot$ $\overline{ireset}$	ICP1B	INT2	
AIO	ADC4	ADC7	ADC6	AMP0+

**Table 11-5.** Overriding Signals for Alternate Functions in PB3..PB0

Signal Name	PB3/AMP0-	PB2/ADC5/INT1	PB1/MOSI/ PSCOUT21	PB0/MISO/ PSCOUT20
PUOE	0	0	–	–
PUOV	0	0	–	–
DDOE	0	0	–	–
DDOV	0	0	–	–
PVOE	0	0	–	–
PVOV	0	0	–	–
DIEOE	AMP0ND	ADC5D + In1en	0	0
DIEOV	0	In1en	0	0
DI		INT1	$\overline{MOSI\_IN} \cdot \overline{SPIPS}$ $\cdot \overline{ireset}$	$\overline{MISO\_IN} \cdot \overline{SPIPS}$ $\cdot \overline{ireset}$
AIO	AMP0-	ADC5	–	–

### 11.3.3 Alternate Functions of Port C

The Port C pins with alternate functions are shown in [Table 11-6](#).

**Table 11-6.** Port C Pins Alternate Functions

Port Pin	Alternate Function
PC7	D2A : DAC output
PC6	ADC10 (Analog Input Channel 10) ACMP1 (Analog Comparator 1 Positive Input )
PC5	ADC9 (Analog Input Channel 9) AMP1+ (Analog Differential Amplifier 1 Input Channel )
PC4	ADC8 (Analog Input Channel 8) AMP1- (Analog Differential Amplifier 1 Input Channel )
PC3	T1 (Timer 1 clock input) PSCOUT23 output
PC2	T0 (Timer 0 clock input) PSCOUT22 output
PC1	PSCIN1 (PSC 1 Digital Input) OC1B (Timer 1 Output Compare B)
PC0	PSCOUT10 output (see note 4) INT3

The alternate pin configuration is as follows:

- **D2A – Bit 7**

D2A, Digital to Analog output

- **ADC10/ACMP1 – Bit 6**

ADC10, Analog to Digital Converter, input channel 10.

ACMP1, Analog Comparator 1 Positive Input. Configure the port pin as input with the internal pull-up switched off to avoid the digital port function from interfering with the function of the Analog Comparator.

- **ADC9/AMP1+ – Bit 5**

ADC9, Analog to Digital Converter, input channel 9.

AMP1+, Analog Differential Amplifier 1 Positive Input Channel.

- **ADC8/AMP1- – Bit 4**

ADC8, Analog to Digital Converter, input channel 8.

AMP1-, Analog Differential Amplifier 1 Negative Input Channel.

- **T1/PSCOUT23 – Bit 3**

T1, Timer/Counter1 counter source.

PSCOUT23: Output 3 of PSC 2.

- **T0/PSCOUT22 – Bit 2**

T0, Timer/Counter0 counter source.

PSCOUT22: Output 2 of PSC 2.

- **PSCIN1/OC1B, Bit 1**

PCSIN1, PSC 1 Digital Input.

OC1B, Output Compare Match B output: This pin can serve as an external output for the Timer/Counter1 Output Compare B. The pin has to be configured as an output (DDC1 set “one”) to serve this function. This pin is also the output pin for the PWM mode timer function.

- **PSCOUT10/ $\overline{\text{INT3}}$  – Bit 0**

PSCOUT10: Output 0 of PSC 1.

INT3, External Interrupt source 3: This pin can serve as an external interrupt source to the MCU.

Table 11-7 and Table 11-8 relate the alternate functions of Port C to the overriding signals shown in Figure 11-5 on page 65.

**Table 11-7.** Overriding Signals for Alternate Functions in PC7..PC4

Signal Name	PC7/D2A	PC6/ADC10/ ACMP1	PC5/ADC9/ AMP1+	PC4/ADC8/ AMP1-
PUOE	0	0	0	
PUOV	0	0	0	
DDOE	DAEN	0	0	0
DDOV	0	0	0	0
PVOE	0	0	0	–
PVOV	0	0	0	–
DIEOE	DAEN	ADC10D	ADC9D	ADC8D
DIEOV	0	0	0	0
DI				
AIO	–	ADC10 Amp1	ADC9 Amp1+	ADC8 Amp1-

**Table 11-8.** Overriding Signals for Alternate Functions in PC3..PC0

Signal Name	PC3/T1/ PSCOUT23	PC2/T0/ PSCOUT22	PC1/PSCIN1/ OC1B	PC0/INT3/ PSCOUT10
PUOE	0	0	0	0
PUOV	0	0	0	0
DDOE	PSCen23	PSCen22	0	PSCen10
DDOV	1	1	0	1
PVOE	PSCen23	PSCen22	OC1Ben	PSCen10
PVOV	PSCout23	PSCout22	OC1B	PSCout10
DIEOE				In3en
DIEOV				In3en
DI	T1	T0	PSCin1	INT3
AIO				



## 11.3.4 Alternate Functions of Port D

The Port D pins with alternate functions are shown in [Table 11-9](#).

**Table 11-9.** Port D Pins Alternate Functions

Port Pin	Alternate Function
PD7	ACMP0 (Analog Comparator 0 Positive Input )
PD6	ADC3 (Analog Input Channel 3 ) ACMPM reference for analog comparators INT0
PD5	ADC2 (Analog Input Channel 2) ACMP2 (Analog Comparator 2 Positive Input )
PD4	ADC1 (Analog Input Channel 1) RXD (Dali/UART Rx data) ICP1 (Timer 1 input capture) SCK_A (Programming & alternate SPI Clock)
PD3	TXD (Dali/UART Tx data) OC0A (Timer 0 Output Compare A) SS (SPI Slave Select) MOSI_A (Programming & alternate SPI Master Out Slave In)
PD2	PSCIN2 (PSC 2 Digital Input) OC1A (Timer 1 Output Compare A) MISO_A (Programming & alternate Master In SPI Slave Out)
PD1	PSCIN0 (PSC 0 Digital Input ) CLKO (System Clock Output)
PD0	PSCOUT00 output XCK (UART Transfer Clock) SS_A (Alternate SPI Slave Select)

The alternate pin configuration is as follows:

- **ACMP0 – Bit 7**

ACMP0, Analog Comparator 0 Positive Input. Configure the port pin as input with the internal pull-up switched off to avoid the digital port function from interfering with the function of the Analog Comparator.

- **ADC3/ACMPM/INT0 – Bit 6**

ADC3, Analog to Digital Converter, input channel 3.

ACMPM, Analog Comparators Negative Input. Configure the port pin as input with the internal pull-up switched off to avoid the digital port function from interfering with the function of the Analog Comparator.

INT0, External Interrupt source 0. This pin can serve as an external interrupt source to the MCU.

- **ADC2/ACMP2 – Bit 5**

ADC2, Analog to Digital Converter, input channel 2.

ACMP2, Analog Comparator 1 Positive Input. Configure the port pin as input with the internal pull-up switched off to avoid the digital port function from interfering with the function of the Analog Comparator.

- **ADC1/RXD/ICP1/SCK\_A – Bit 4**

ADC1, Analog to Digital Converter, input channel 1.

RXD, USART Receive Pin. Receive Data (Data input pin for the USART). When the USART receiver is enabled this pin is configured as an input regardless of the value of DDRD4. When the USART forces this pin to be an input, a logical one in PORTD4 will turn on the internal pull-up.

ICP1 – Input Capture Pin1: This pin can act as an input capture pin for Timer/Counter1.

SCK\_A: Master Clock output, Slave Clock input pin for SPI channel. When the SPI is enabled as a slave, this pin is configured as an input regardless of the setting of DDD4. When the SPI is enabled as a master, the data direction of this pin is controlled by DDD4. When the pin is forced to be an input, the pull-up can still be controlled by the PORTD4 bit.

- **TXD/OC0A/SS/MOSI\_A, Bit 3**

TXD, UART Transmit pin. Data output pin for the USART. When the USART Transmitter is enabled, this pin is configured as an output regardless of the value of DDD3.

OC0A, Output Compare Match A output: This pin can serve as an external output for the Timer/Counter0 Output Compare A. The pin has to be configured as an output (DDD3 set “one”) to serve this function. The OC0A pin is also the output pin for the PWM mode

$\overline{SS}$ : Slave Port Select input. When the SPI is enabled as a slave, this pin is configured as an input regardless of the setting of DDD3. As a slave, the SPI is activated when this pin is driven low. When the SPI is enabled as a master, the data direction of this pin is controlled by DDD3. When the pin is forced to be an input, the pull-up can still be controlled by the PORTD3 bit.

MOSI\_A: SPI Master Data output, Slave Data input for SPI channel. When the SPI is enabled as a slave, this pin is configured as an input regardless of the setting of DDD3. When the SPI is enabled as a master, the data direction of this pin is controlled by DDD3. When the pin is forced to be an input, the pull-up can still be controlled by the PORTD3 bit.

- **PSCIN2/OC1A/MISO\_A, Bit 2**

PSCIN2, PSC 2 Digital Input.

OC1A, Output Compare Match A output: This pin can serve as an external output for the Timer/Counter1 Output Compare A. The pin has to be configured as an output (DDD2 set “one”) to serve this function. The OC1A pin is also the output pin for the PWM mode timer function.

MISO\_A: Master Data input, Slave Data output pin for SPI channel. When the SPI is enabled as a master, this pin is configured as an input regardless of the setting of DDD2. When the SPI is enabled as a slave, the data direction of this pin is controlled by DDD2. When the pin is forced to be an input, the pull-up can still be controlled by the PORTD2 bit.

- **PSCIN0/CLKO – Bit 1**

PSCIN0, PSC 0 Digital Input.

CLKO, Divided System Clock: The divided system clock can be output on this pin. The divided system clock will be output if the CKOUT Fuse is programmed, regardless of the PORTD1 and DDD1 settings. It will also be output during reset.

- **PSCOUT00/XCK/SS\_A – Bit 0**

PSCOUT00: Output 0 of PSC 0.

XCK, USART External clock. The Data Direction Register (DDD0) controls whether the clock is output (DDD0 set) or input (DDD0 cleared). The XCK0 pin is active only when the USART operates in Synchronous mode.

$\overline{SS\_A}$ : Slave Port Select input. When the SPI is enabled as a slave, this pin is configured as an input regardless of the setting of DDD0. As a slave, the SPI is activated when this pin is driven low. When the SPI is enabled as a master, the data direction of this pin is controlled by DDD0. When the pin is forced to be an input, the pull-up can still be controlled by the PORTD0 bit.

Table 11-10 and Table 11-11 relates the alternate functions of Port D to the overriding signals shown in Figure 11-5 on page 65.

**Table 11-10.** Overriding Signals for Alternate Functions PD7..PD4

Signal Name	PD7/ ACMP0	PD6/ADC3/ ACMPM/INT0	PD5/ADC2/ ACMP2	PD4/ADC1/RXD/ ICP1A/SCK_A
PUOE	0	0	0	RXEN + SPE • $\overline{MSTR}$ • SPIPS
PUOV	0	0	0	PD4 • PUD
DDOE	0	0	0	RXEN + SPE • $\overline{MSTR}$ • SPIPS
DDOV	0	0	0	0
PVOE	0	0	0	SPE • MSTR • SPIPS
PVOV	0	0	0	–
DIEOE	ACMP0D	ADC3D + In0en	ADC2D	ADC1D
DIEOV	0	In0en	0	0
DI	–	INT0		ICP1A
AIO	ACOMP0	ADC3 ACMPM	ADC2 ACOMP2	ADC1

**Table 11-11.** Overriding Signals for Alternate Functions in PD3..PD0

Signal Name	PD3/TXD/OC0A/ SS/MOSI_A	PD2/PSCIN2/ OC1A/MISO_A	PD1/PSCIN0/ CLKO	PD0/PSCOUT00/X CK/SS_A
PUOE	TXEN + SPE • $\overline{\text{MSTR}}$ • SPIPS	–	0	SPE • $\overline{\text{MSTR}}$ • SPIPS
PUOV	$\overline{\text{TXEN}}$ • SPE • $\overline{\text{MSTR}}$ • SPIPS • PD3 • $\overline{\text{PUD}}$	–	0	PD0 • $\overline{\text{PUD}}$
DDOE	TXEN + SPE • $\overline{\text{MSTR}}$ • SPIPS	–	0	PSCen00 + SPE • $\overline{\text{MSTR}}$ • SPIPS
DDOV	TXEN	0	0	PSCen00
PVOE	TXEN + OC0en + SPE • MSTR • SPIPS	–	0	PSCen00 + UMSEL
PVOV	TXEN • TXD + $\overline{\text{TXEN}}$ • (OC0en • OC0 + $\overline{\text{OC0en}}$ • SPIPS • MOSI)	–	0	–
DIEOE	0	0	0	0
DIEOV	0	0	0	0
DI	SS MOSI_Ain			SS_A
AIO				

### 11.3.5 Alternate Functions of Port E

The Port E pins with alternate functions are shown in [Table 11-12](#).

**Table 11-12.** Port E Pins Alternate Functions

Port Pin	Alternate Function
PE2	XTAL2: XTAL Output ADC0 (Analog Input Channel 0)
PE1	XTAL1: XTAL Input OC0B (Timer 0 Output Compare B)
PE0	RESET# (Reset Input) OCD (On Chip Debug I/O)

The alternate pin configuration is as follows:

- **XTAL2/ADC0 – Bit 2**

XTAL2: Chip clock Oscillator pin 2. Used as clock pin for crystal Oscillator or Low-frequency crystal Oscillator. When used as a clock pin, the pin can not be used as an I/O pin.

ADC0, Analog to Digital Converter, input channel 0.

- **XTAL1/OC0B – Bit 1**

XTAL1: Chip clock Oscillator pin 1. Used for all chip clock sources except internal calibrated RC Oscillator. When used as a clock pin, the pin can not be used as an I/O pin.

OC0B, Output Compare Match B output: This pin can serve as an external output for the Timer/Counter0 Output Compare B. The pin has to be configured as an output (DDE1 set “one”) to serve this function. This pin is also the output pin for the PWM mode timer function.

- **RESET/OCD – Bit 0**

RESET, Reset pin: When the RSTDISBL Fuse is programmed, this pin functions as a normal I/O pin, and the part will have to rely on Power-on Reset and Brown-out Reset as its reset sources. When the RSTDISBL Fuse is unprogrammed, the reset circuitry is connected to the pin, and the pin can not be used as an I/O pin.

If PE0 is used as a reset pin, DDE0, PORTE0 and PINE0 will all read 0.

Table 11-13 relates the alternate functions of Port E to the overriding signals shown in Figure 11-5 on page 65.

**Table 11-13.** Overriding Signals for Alternate Functions in PE2..PE0

Signal Name	PE2/ADC0/ XTAL2	PE1/OC0B	PE0/RESET/ OCD
PUOE	0	0	0
PUOV	0	0	0
DDOE	0	0	0
DDOV	0	0	0
PVOE	0	OC0Ben	0
PVOV	0	OC0B	0
DIEOE	ADC0D	0	0
DIEOV	0	0	0
DI			
AIO	Osc Output ADC0	Osc / Clock input	

## 11.4 Register Description for I/O-Ports

### 11.4.1 Port B Data Register – PORTB

Bit	7	6	5	4	3	2	1	0	
	<b>PORTB7</b>	<b>PORTB6</b>	<b>PORTB5</b>	<b>PORTB4</b>	<b>PORTB3</b>	<b>PORTB2</b>	<b>PORTB1</b>	<b>PORTB0</b>	<b>PORTB</b>
Read/Write	R/W	R/W	R/W	R/W	R/W	R/W	R/W	R/W	
Initial Value	0	0	0	0	0	0	0	0	

### 11.4.2 Port B Data Direction Register – DDRB

Bit	7	6	5	4	3	2	1	0	
	<b>DDB7</b>	<b>DDB6</b>	<b>DDB5</b>	<b>DDB4</b>	<b>DDB3</b>	<b>DDB2</b>	<b>DDB1</b>	<b>DDB0</b>	<b>DDRB</b>
Read/Write	R/W	R/W	R/W	R/W	R/W	R/W	R/W	R/W	
Initial Value	0	0	0	0	0	0	0	0	

### 11.4.3 Port B Input Pins Address – PINB

Bit	7	6	5	4	3	2	1	0	
	<b>PINB7</b>	<b>PINB6</b>	<b>PINB5</b>	<b>PINB4</b>	<b>PINB3</b>	<b>PINB2</b>	<b>PINB1</b>	<b>PINB0</b>	<b>PINB</b>
Read/Write	R/W	R/W	R/W	R/W	R/W	R/W	R/W	R/W	
Initial Value	N/A	N/A	N/A	N/A	N/A	N/A	N/A	N/A	

### 11.4.4 Port C Data Register – PORTC

Bit	7	6	5	4	3	2	1	0	
	<b>PORTC7</b>	<b>PORTC6</b>	<b>PORTC5</b>	<b>PORTC4</b>	<b>PORTC3</b>	<b>PORTC2</b>	<b>PORTC1</b>	<b>PORTC0</b>	<b>PORTC</b>
Read/Write	R/W	R/W	R/W	R/W	R/W	R/W	R/W	R/W	
Initial Value	0	0	0	0	0	0	0	0	

### 11.4.5 Port C Data Direction Register – DDRC

Bit	7	6	5	4	3	2	1	0	
	<b>DDC7</b>	<b>DDC6</b>	<b>DDC5</b>	<b>DDC4</b>	<b>DDC3</b>	<b>DDC2</b>	<b>DDC1</b>	<b>DDC0</b>	<b>DDRC</b>
Read/Write	R/W	R/W	R/W	R/W	R/W	R/W	R/W	R/W	
Initial Value	0	0	0	0	0	0	0	0	

### 11.4.6 Port C Input Pins Address – PINC

Bit	7	6	5	4	3	2	1	0	
	<b>PINC7</b>	<b>PINC6</b>	<b>PINC5</b>	<b>PINC4</b>	<b>PINC3</b>	<b>PINC2</b>	<b>PINC1</b>	<b>PINC0</b>	<b>PINC</b>
Read/Write	R/W	R/W	R/W	R/W	R/W	R/W	R/W	R/W	
Initial Value	N/A	N/A	N/A	N/A	N/A	N/A	N/A	N/A	

### 11.4.7 Port D Data Register – PORTD

Bit	7	6	5	4	3	2	1	0	
	<b>PORTD7</b>	<b>PORTD6</b>	<b>PORTD5</b>	<b>PORTD4</b>	<b>PORTD3</b>	<b>PORTD2</b>	<b>PORTD1</b>	<b>PORTD0</b>	<b>PORTD</b>
Read/Write	R/W	R/W	R/W	R/W	R/W	R/W	R/W	R/W	
Initial Value	0	0	0	0	0	0	0	0	

### 11.4.8 Port D Data Direction Register – DDRD

Bit	7	6	5	4	3	2	1	0	
	<b>DDD7</b>	<b>DDD6</b>	<b>DDD5</b>	<b>DDD4</b>	<b>DDD3</b>	<b>DDD2</b>	<b>DDD1</b>	<b>DDD0</b>	<b>DDRD</b>
Read/Write	R/W	R/W	R/W	R/W	R/W	R/W	R/W	R/W	
Initial Value	0	0	0	0	0	0	0	0	

## 11.4.9 Port D Input Pins Address – PIND

Bit	7	6	5	4	3	2	1	0	
	<b>PIND7</b>	<b>PIND6</b>	<b>PIND5</b>	<b>PIND4</b>	<b>PIND3</b>	<b>PIND2</b>	<b>PIND1</b>	<b>PIND0</b>	<b>PIND</b>
Read/Write	R/W	R/W	R/W	R/W	R/W	R/W	R/W	R/W	
Initial Value	N/A	N/A	N/A	N/A	N/A	N/A	N/A	N/A	

## 11.4.10 Port E Data Register – PORTE

Bit	7	6	5	4	3	2	1	0	
	–	–	–	–	–	<b>PORTE2</b>	<b>PORTE1</b>	<b>PORTE0</b>	<b>PORTE</b>
Read/Write	R	R	R	R	R	R/W	R/W	R/W	
Initial Value	0	0	0	0	0	0	0	0	

## 11.4.11 Port E Data Direction Register – DDRE

Bit	7	6	5	4	3	2	1	0	
	–	–	–	–	–	<b>DDE2</b>	<b>DDE1</b>	<b>DDE0</b>	<b>DDRE</b>
Read/Write	R	R	R	R	R	R/W	R/W	R/W	
Initial Value	0	0	0	0	0	0	0	0	

## 11.4.12 Port E Input Pins Address – PINE

Bit	7	6	5	4	3	2	1	0	
	–	–	–	–	–	<b>PINE2</b>	<b>PINE1</b>	<b>PINE0</b>	<b>PINE</b>
Read/Write	R	R	R	R	R	R/W	R/W	R/W	
Initial Value	0	0	0	0	0	N/A	N/A	N/A	

## 12. External Interrupts

The External Interrupts are triggered by the INT3:0 pins. Observe that, if enabled, the interrupts will trigger even if the INT3:0 pins are configured as outputs. This feature provides a way of generating a software interrupt. The External Interrupts can be triggered by a falling or rising edge or a low level. This is set up as indicated in the specification for the External Interrupt Control Registers – EICRA (INT3:0). When the external interrupt is enabled and is configured as level triggered, the interrupt will trigger as long as the pin is held low. Note that recognition of falling or rising edge interrupts on INT3:0 requires the presence of an I/O clock, described in [“Clock Systems and their Distribution” on page 28](#). The I/O clock is halted in all sleep modes except Idle mode.

Note that if a level triggered interrupt is used for wake-up from Power-down mode, the changed level must be held for some time to wake up the MCU. This makes the MCU less sensitive to noise. The changed level is sampled twice by the Watchdog Oscillator clock. The period of the Watchdog Oscillator is 1  $\mu$ s (nominal) at 5.0V and 25°C. The frequency of the Watchdog Oscillator is voltage dependent as shown in the [“Electrical Characteristics\(1\)” on page 301](#). The MCU will wake up if the input has the required level during this sampling or if it is held until the end of the start-up time. The start-up time is defined by the SUT fuses as described in [“System Clock” on page 28](#). If the level is sampled twice by the Watchdog Oscillator clock but disappears before the end of the start-up time, the MCU will still wake up, but no interrupt will be generated. The required level must be held long enough for the MCU to complete the wake up to trigger the level interrupt.

### 12.0.1 External Interrupt Control Register A – EICRA

Bit	7	6	5	4	3	2	1	0	
	<b>ISC31   ISC30   ISC21   ISC20   ISC11   ISC10   ISC01   ISC00</b>								EICRA
Read/Write	R/W	R/W	R/W	R/W	R/W	R/W	R/W	R/W	
Initial Value	0	0	0	0	0	0	0	0	

- **Bits 7..0 – ISC31, ISC30 – ISC01, ISC00: External Interrupt 3 - 0 Sense Control Bits**

The External Interrupts 3 - 0 are activated by the external pins INT3:0 if the SREG I-flag and the corresponding interrupt mask in the EIMSK is set. The level and edges on the external pins that activate the interrupts are defined in [Table 12-1](#). Edges on INT3..INT0 are registered asynchronously. The value on the INT3:0 pins are sampled before detecting edges. If edge or toggle interrupt is selected, pulses that last longer than one clock period will generate an interrupt. Shorter pulses are not guaranteed to generate an interrupt. Observe that CPU clock frequency can be lower than the XTAL frequency if the XTAL divider is enabled. If low level interrupt is selected, the low level must be held until the completion of the currently executing instruction to generate an interrupt. If enabled, a level triggered interrupt will generate an interrupt request as long as the pin is held low.



**Table 12-1.** Interrupt Sense Control<sup>(1)</sup>

ISCn1	ISCn0	Description
0	0	The low level of INTn generates an interrupt request.
0	1	Any logical change on INTn generates an interrupt request
1	0	The falling edge between two samples of INTn generates an interrupt request.
1	1	The rising edge between two samples of INTn generates an interrupt request.

Note: 1. n = 3, 2, 1 or 0.

When changing the ISCn1/ISCn0 bits, the interrupt must be disabled by clearing its Interrupt Enable bit in the EIMSK Register. Otherwise an interrupt can occur when the bits are changed.

## 12.0.2 External Interrupt Mask Register – EIMSK

Bit	7	6	5	4	3	2	1	0	
	-	-	-	-	INT3	INT2	INT1	INT0	EIMSK
Read/Write	R/W	R/W	R/W	R/W	R/W	R/W	R/W	R/W	
Initial Value	0	0	0	0	0	0	0	0	

- Bits 3..0 – INT3 – INT0: External Interrupt Request 3 - 0 Enable**

When an INT3 – INT0 bit is written to one and the I-bit in the Status Register (SREG) is set (one), the corresponding external pin interrupt is enabled. The Interrupt Sense Control bits in the External Interrupt Control Register – EICRA – defines whether the external interrupt is activated on rising or falling edge or level sensed. Activity on any of these pins will trigger an interrupt request even if the pin is enabled as an output. This provides a way of generating a software interrupt.

## 12.0.3 External Interrupt Flag Register – EIFR

Bit	7	6	5	4	3	2	1	0	
	-	-	-	-	INTF3	INTF2	INTF1	INTF0	EIFR
Read/Write	R/W	R/W	R/W	R/W	R/W	R/W	R/W	R/W	
Initial Value	0	0	0	0	0	0	0	0	

- Bits 3..0 – INTF3 - INTF0: External Interrupt Flags 3 - 0**

When an edge or logic change on the INT3:0 pin triggers an interrupt request, INTF3:0 becomes set (one). If the I-bit in SREG and the corresponding interrupt enable bit, INT3:0 in EIMSK, are set (one), the MCU will jump to the interrupt vector. The flag is cleared when the interrupt routine is executed. Alternatively, the flag can be cleared by writing a logical one to it. These flags are always cleared when INT3:0 are configured as level interrupt.

## 13. Timer/Counter0 and Timer/Counter1 Prescalers

Timer/Counter1 and Timer/Counter0 share the same prescaler module, but the Timer/Counter can have different prescaler settings. The description below applies to both Timer/Counter1 and Timer/Counter0.

### 13.0.1 Internal Clock Source

The Timer/Counter can be clocked directly by the system clock (by setting the CSn2:0 = 1). This provides the fastest operation, with a maximum Timer/Counter clock frequency equal to system clock frequency ( $f_{CLK\_I/O}$ ). Alternatively, one of four taps from the prescaler can be used as a clock source. The prescaled clock has a frequency of either  $f_{CLK\_I/O}/8$ ,  $f_{CLK\_I/O}/64$ ,  $f_{CLK\_I/O}/256$ , or  $f_{CLK\_I/O}/1024$ .

### 13.0.2 Prescaler Reset

The prescaler is free running, i.e., operates independently of the Clock Select logic of the Timer/Counter, and it is shared by Timer/Counter1 and Timer/Counter0. Since the prescaler is not affected by the Timer/Counter's clock select, the state of the prescaler will have implications for situations where a prescaled clock is used. One example of prescaling artifacts occurs when the timer is enabled and clocked by the prescaler ( $6 > CSn2:0 > 1$ ). The number of system clock cycles from when the timer is enabled to the first count occurs can be from 1 to N+1 system clock cycles, where N equals the prescaler divisor (8, 64, 256, or 1024).

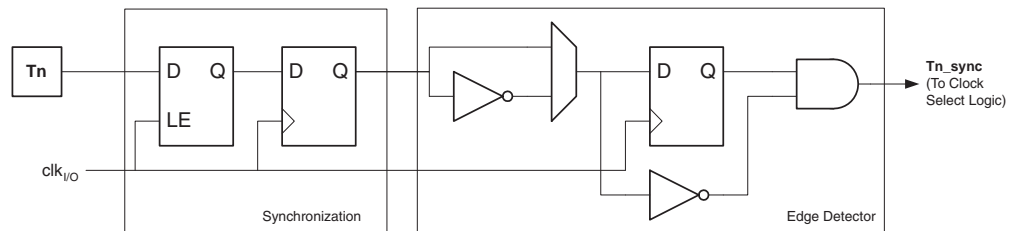
It is possible to use the prescaler reset for synchronizing the Timer/Counter to program execution. However, care must be taken if the other Timer/Counter that shares the same prescaler also uses prescaling. A prescaler reset will affect the prescaler period for all Timer/Counter it is connected to.

### 13.0.3 External Clock Source

An external clock source applied to the Tn/T0 pin can be used as Timer/Counter clock ( $clk_{T1}/clk_{T0}$ ). The Tn/T0 pin is sampled once every system clock cycle by the pin synchronization logic. The synchronized (sampled) signal is then passed through the edge detector. [Figure 13-1](#) shows a functional equivalent block diagram of the Tn/T0 synchronization and edge detector logic. The registers are clocked at the positive edge of the internal system clock ( $clk_{I/O}$ ). The latch is transparent in the high period of the internal system clock.

The edge detector generates one  $clk_{T1}/clk_{T0}$  pulse for each positive ( $CSn2:0 = 7$ ) or negative ( $CSn2:0 = 6$ ) edge it detects.

**Figure 13-1.** Tn/T0 Pin Sampling



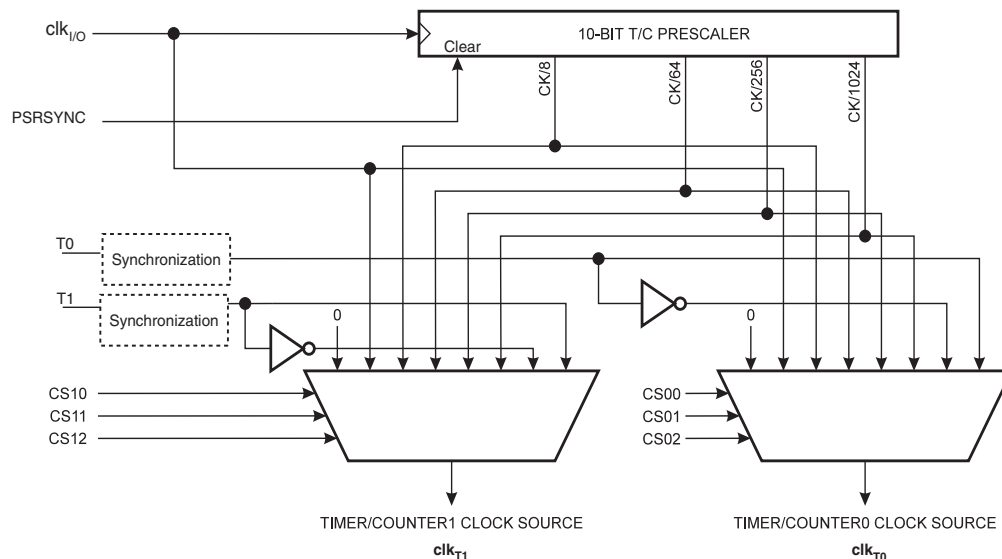
The synchronization and edge detector logic introduces a delay of 2.5 to 3.5 system clock cycles from an edge has been applied to the Tn/T0 pin to the counter is updated.

Enabling and disabling of the clock input must be done when Tn/T0 has been stable for at least one system clock cycle, otherwise it is a risk that a false Timer/Counter clock pulse is generated.

Each half period of the external clock applied must be longer than one system clock cycle to ensure correct sampling. The external clock must be guaranteed to have less than half the system clock frequency ( $f_{ExtClk} < f_{clk\_I/O}/2$ ) given a 50/50% duty cycle. Since the edge detector uses sampling, the maximum frequency of an external clock it can detect is half the sampling frequency (Nyquist sampling theorem). However, due to variation of the system clock frequency and duty cycle caused by Oscillator source (crystal, resonator, and capacitors) tolerances, it is recommended that maximum frequency of an external clock source is less than  $f_{clk\_I/O}/2.5$ .

An external clock source can not be prescaled.

**Figure 13-2.** Prescaler for Timer/Counter0 and Timer/Counter1<sup>(1)</sup>



Note: 1. The synchronization logic on the input pins (Tn/T0) is shown in [Figure 13-1](#).

### 13.0.4 General Timer/Counter Control Register – GTCCR

Bit	7	6	5	4	3	2	1	0	
	<b>TSM</b>	<b>ICPSEL1</b>	–	–	–	–	–	<b>PSRSYNC</b>	<b>GTCCR</b>
Read/Write	R/W	R/W	R	R	R	R	R	R/W	
Initial Value	0	0	0	0	0	0	0	0	

- Bit 7 – TSM: Timer/Counter Synchronization Mode**

Writing the TSM bit to one activates the Timer/Counter Synchronization mode. In this mode, the value that is written to the PSRSYNC bit is kept, hence keeping the corresponding prescaler reset signals asserted. This ensures that the corresponding Timer/Counters are halted and can be configured to the same value without the risk of one of them advancing during configuration. When the TSM bit is written to zero, the PSRSYNC bit is cleared by hardware, and the Timer/Counters start counting simultaneously.

- Bit 6 – ICPSEL1: Timer 1 Input Capture selection**

Timer 1 capture function has two possible inputs ICP1A (PD4) and ICP1B (PB6). The selection is made thanks to ICPSEL1 bit as described in [Table](#) .

**Table 13-1.** ICPSEL1

ICPSEL1	Description
0	Select ICP1A as trigger for timer 1 input capture
1	Select ICP1B as trigger for timer 1 input capture

- **Bit 0 – PSRSYNC: Prescaler Reset**

When this bit is one, Timer/Counter1 and Timer/Counter0 prescaler will be Reset. This bit is normally cleared immediately by hardware, except if the TSM bit is set. Note that Timer/Counter1 and Timer/Counter0 share the same prescaler and a reset of this prescaler will affect both timers.

## 14. 8-bit Timer/Counter0 with PWM

Timer/Counter0 is a general purpose 8-bit Timer/Counter module, with two independent Output Compare Units, and with PWM support. It allows accurate program execution timing (event management) and wave generation. The main features are:

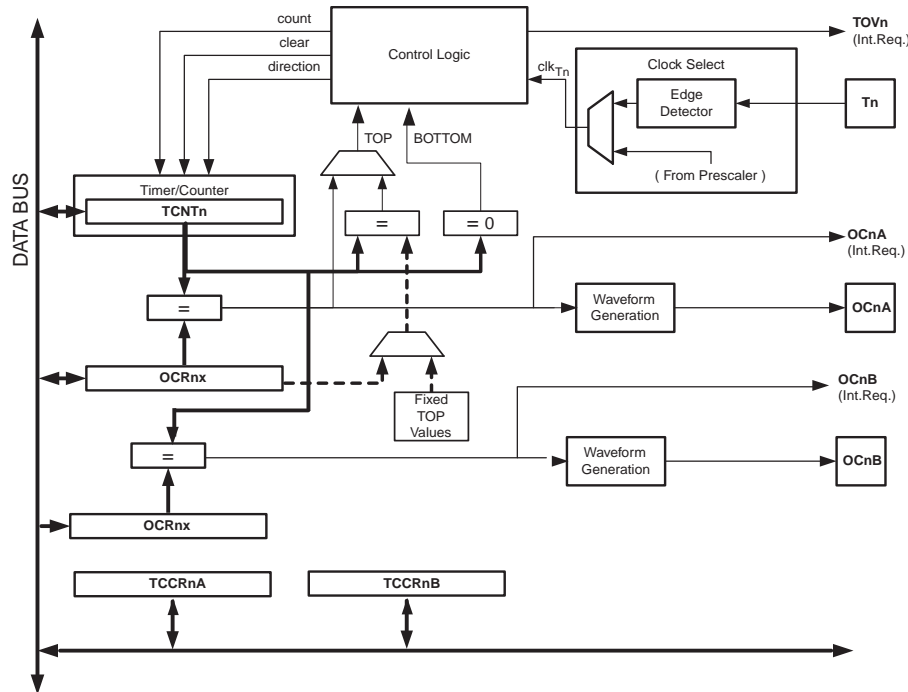
- Two Independent Output Compare Units
- Double Buffered Output Compare Registers
- Clear Timer on Compare Match (Auto Reload)
- Glitch Free, Phase Correct Pulse Width Modulator (PWM)
- Variable PWM Period
- Frequency Generator
- Three Independent Interrupt Sources (TOV0, OCF0A, and OCF0B)

### 14.1 Overview

A simplified block diagram of the 8-bit Timer/Counter is shown in [Figure 14-1](#). For the actual placement of I/O pins, refer to “Pin Descriptions” on page 8. CPU accessible I/O Registers, including I/O bits and I/O pins, are shown in bold. The device-specific I/O Register and bit locations are listed in the “8-bit Timer/Counter Register Description” on page 97.

The PRTIM0 bit in “Power Reduction Register” on page 41 must be written to zero to enable Timer/Counter0 module.

**Figure 14-1.** 8-bit Timer/Counter Block Diagram



#### 14.1.1 Definitions

Many register and bit references in this section are written in general form. A lower case “n” replaces the Timer/Counter number, in this case 0. A lower case “x” replaces the Output Compare Unit, in this case Compare Unit A or Compare Unit B. However, when using the register or

bit defines in a program, the precise form must be used, i.e., TCNT0 for accessing Timer/Counter0 counter value and so on.

The definitions in [Table 14-1](#) are also used extensively throughout the document.

**Table 14-1.** Definitions

BOTTOM	The counter reaches the BOTTOM when it becomes 0x00.
MAX	The counter reaches its MAXimum when it becomes 0xFF (decimal 255).
TOP	The counter reaches the TOP when it becomes equal to the highest value in the count sequence. The TOP value can be assigned to be the fixed value 0xFF (MAX) or the value stored in the OCR0A Register. The assignment is dependent on the mode of operation.

## 14.1.2 Registers

The Timer/Counter (TCNT0) and Output Compare Registers (OCR0A and OCR0B) are 8-bit registers. Interrupt request (abbreviated to Int.Req. in the figure) signals are all visible in the Timer Interrupt Flag Register (TIFR0). All interrupts are individually masked with the Timer Interrupt Mask Register (TIMSK0). TIFR0 and TIMSK0 are not shown in the figure.

The Timer/Counter can be clocked internally, via the prescaler, or by an external clock source on the T0 pin. The Clock Select logic block controls which clock source and edge the Timer/Counter uses to increment (or decrement) its value. The Timer/Counter is inactive when no clock source is selected. The output from the Clock Select logic is referred to as the timer clock ( $clk_{T0}$ ).

The double buffered Output Compare Registers (OCR0A and OCR0B) are compared with the Timer/Counter value at all times. The result of the compare can be used by the Waveform Generator to generate a PWM or variable frequency output on the Output Compare pins (OC0A and OC0B). See [“Using the Output Compare Unit” on page 113](#). for details. The compare match event will also set the Compare Flag (OCF0A or OCF0B) which can be used to generate an Output Compare interrupt request.

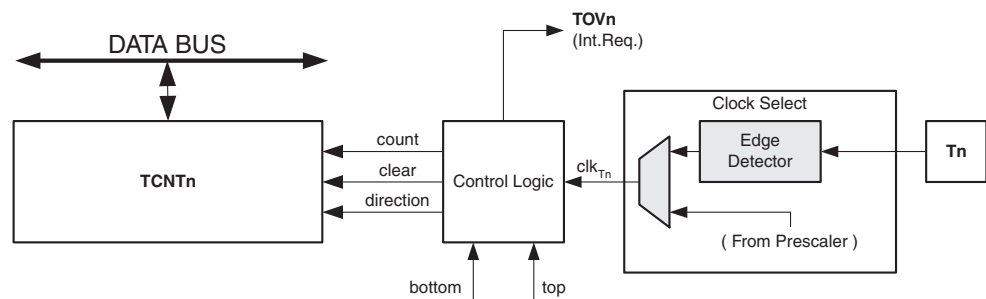
## 14.2 Timer/Counter Clock Sources

The Timer/Counter can be clocked by an internal or an external clock source. The clock source is selected by the Clock Select logic which is controlled by the Clock Select (CS02:0) bits located in the Timer/Counter Control Register (TCCR0B). For details on clock sources and prescaler, see [“Timer/Counter0 and Timer/Counter1 Prescalers” on page 82](#).

## 14.3 Counter Unit

The main part of the 8-bit Timer/Counter is the programmable bi-directional counter unit. [Figure 14-2](#) shows a block diagram of the counter and its surroundings.

**Figure 14-2.** Counter Unit Block Diagram



Signal description (internal signals):

<b>count</b>	Increment or decrement TCNT0 by 1.
<b>direction</b>	Select between increment and decrement.
<b>clear</b>	Clear TCNT0 (set all bits to zero).
<b>clk<sub>Tn</sub></b>	Timer/Counter clock, referred to as clk <sub>T0</sub> in the following.
<b>top</b>	Signalize that TCNT0 has reached maximum value.
<b>bottom</b>	Signalize that TCNT0 has reached minimum value (zero).

Depending of the mode of operation used, the counter is cleared, incremented, or decremented at each timer clock (clk<sub>T0</sub>). clk<sub>T0</sub> can be generated from an external or internal clock source, selected by the Clock Select bits (CS02:0). When no clock source is selected (CS02:0 = 0) the timer is stopped. However, the TCNT0 value can be accessed by the CPU, regardless of whether clk<sub>T0</sub> is present or not. A CPU write overrides (has priority over) all counter clear or count operations.

The counting sequence is determined by the setting of the WGM01 and WGM00 bits located in the Timer/Counter Control Register (TCCR0A) and the WGM02 bit located in the Timer/Counter Control Register B (TCCR0B). There are close connections between how the counter behaves (counts) and how waveforms are generated on the Output Compare outputs OC0A and OC0B. For more details about advanced counting sequences and waveform generation, see [“Modes of Operation” on page 91](#).

The Timer/Counter Overflow Flag (TOV0) is set according to the mode of operation selected by the WGM02:0 bits. TOV0 can be used for generating a CPU interrupt.

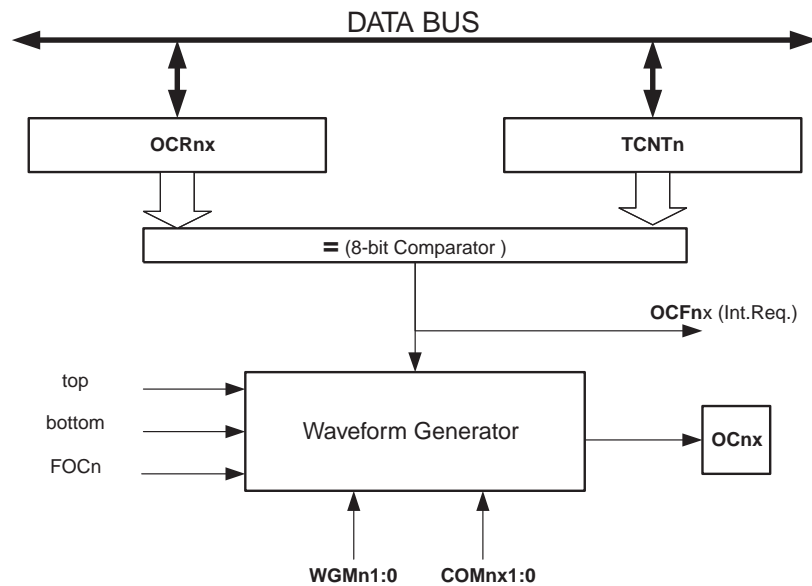
## 14.4 Output Compare Unit

The 8-bit comparator continuously compares TCNT0 with the Output Compare Registers (OCR0A and OCR0B). Whenever TCNT0 equals OCR0A or OCR0B, the comparator signals a match. A match will set the Output Compare Flag (OCF0A or OCF0B) at the next timer clock cycle. If the corresponding interrupt is enabled, the Output Compare Flag generates an Output Compare interrupt. The Output Compare Flag is automatically cleared when the interrupt is executed. Alternatively, the flag can be cleared by software by writing a logical one to its I/O bit location. The Waveform Generator uses the match signal to generate an output according to operating mode set by the WGM02:0 bits and Compare Output mode (COM0x1:0) bits. The max and bottom signals are used by the Waveform Generator for handling the special cases of the extreme values in some modes of operation ([“Modes of Operation” on page 91](#)).

[Figure 14-3](#) shows a block diagram of the Output Compare unit.



Figure 14-3. Output Compare Unit, Block Diagram



The OCR0x Registers are double buffered when using any of the Pulse Width Modulation (PWM) modes. For the normal and Clear Timer on Compare (CTC) modes of operation, the double buffering is disabled. The double buffering synchronizes the update of the OCR0x Compare Registers to either top or bottom of the counting sequence. The synchronization prevents the occurrence of odd-length, non-symmetrical PWM pulses, thereby making the output glitch-free.

The OCR0x Register access may seem complex, but this is not case. When the double buffering is enabled, the CPU has access to the OCR0x Buffer Register, and if double buffering is disabled the CPU will access the OCR0x directly.

**14.4.1 Force Output Compare**

In non-PWM waveform generation modes, the match output of the comparator can be forced by writing a one to the Force Output Compare (FOC0x) bit. Forcing compare match will not set the OCF0x Flag or reload/clear the timer, but the OC0x pin will be updated as if a real compare match had occurred (the COM0x1:0 bits settings define whether the OC0x pin is set, cleared or toggled).

**14.4.2 Compare Match Blocking by TCNT0 Write**

All CPU write operations to the TCNT0 Register will block any compare match that occur in the next timer clock cycle, even when the timer is stopped. This feature allows OCR0x to be initialized to the same value as TCNT0 without triggering an interrupt when the Timer/Counter clock is enabled.

**14.4.3 Using the Output Compare Unit**

Since writing TCNT0 in any mode of operation will block all compare matches for one timer clock cycle, there are risks involved when changing TCNT0 when using the Output Compare Unit, independently of whether the Timer/Counter is running or not. If the value written to TCNT0 equals the OCR0x value, the compare match will be missed, resulting in incorrect waveform generation. Similarly, do not write the TCNT0 value equal to BOTTOM when the counter is downcounting.

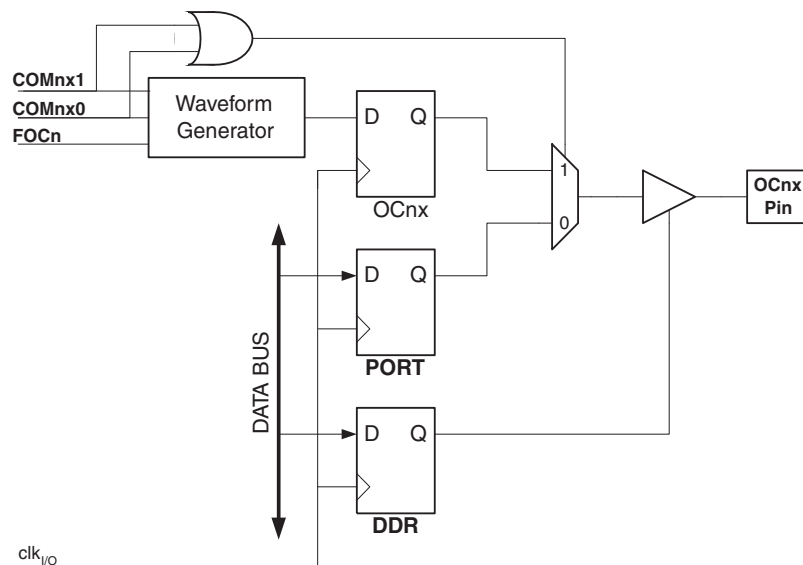
The setup of the OC0x should be performed before setting the Data Direction Register for the port pin to output. The easiest way of setting the OC0x value is to use the Force Output Compare (FOC0x) strobe bits in Normal mode. The OC0x Registers keep their values even when changing between Waveform Generation modes.

Be aware that the COM0x1:0 bits are not double buffered together with the compare value. Changing the COM0x1:0 bits will take effect immediately.

## 14.5 Compare Match Output Unit

The Compare Output mode (COM0x1:0) bits have two functions. The Waveform Generator uses the COM0x1:0 bits for defining the Output Compare (OC0x) state at the next compare match. Also, the COM0x1:0 bits control the OC0x pin output source. [Figure 14-4](#) shows a simplified schematic of the logic affected by the COM0x1:0 bit setting. The I/O Registers, I/O bits, and I/O pins in the figure are shown in bold. Only the parts of the general I/O port control registers (DDR and PORT) that are affected by the COM0x1:0 bits are shown. When referring to the OC0x state, the reference is for the internal OC0x Register, not the OC0x pin. If a system reset occur, the OC0x Register is reset to “0”.

**Figure 14-4.** Compare Match Output Unit, Schematic



The general I/O port function is overridden by the Output Compare (OC0x) from the Waveform Generator if either of the COM0x1:0 bits are set. However, the OC0x pin direction (input or output) is still controlled by the Data Direction Register (DDR) for the port pin. The Data Direction Register bit for the OC0x pin (DDR\_OC0x) must be set as output before the OC0x value is visible on the pin. The port override function is independent of the Waveform Generation mode.

The design of the Output Compare pin logic allows initialization of the OC0x state before the output is enabled. Note that some COM0x1:0 bit settings are reserved for certain modes of operation. [See “8-bit Timer/Counter Register Description” on page 97.](#)

### 14.5.1 Compare Output Mode and Waveform Generation

The Waveform Generator uses the COM0x1:0 bits differently in Normal, CTC, and PWM modes. For all modes, setting the COM0x1:0 = 0 tells the Waveform Generator that no action on the OC0x Register is to be performed on the next compare match. For compare output actions in the

non-PWM modes refer to [Table 14-2 on page 97](#). For fast PWM mode, refer to [Table 14-3 on page 97](#), and for phase correct PWM refer to [Table 14-4 on page 98](#).

A change of the COM0x1:0 bits state will have effect at the first compare match after the bits are written. For non-PWM modes, the action can be forced to have immediate effect by using the FOC0x strobe bits.

## 14.6 Modes of Operation

The mode of operation, i.e., the behavior of the Timer/Counter and the Output Compare pins, is defined by the combination of the Waveform Generation mode (WGM02:0) and Compare Output mode (COM0x1:0) bits. The Compare Output mode bits do not affect the counting sequence, while the Waveform Generation mode bits do. The COM0x1:0 bits control whether the PWM output generated should be inverted or not (inverted or non-inverted PWM). For non-PWM modes the COM0x1:0 bits control whether the output should be set, cleared, or toggled at a compare match (See [“Compare Match Output Unit” on page 90](#)).

For detailed timing information refer to [“Timer/Counter Timing Diagrams” on page 95](#).

### 14.6.1 Normal Mode

The simplest mode of operation is the Normal mode (WGM02:0 = 0). In this mode the counting direction is always up (incrementing), and no counter clear is performed. The counter simply overruns when it passes its maximum 8-bit value (TOP = 0xFF) and then restarts from the bottom (0x00). In normal operation the Timer/Counter Overflow Flag (TOV0) will be set in the same timer clock cycle as the TCNT0 becomes zero. The TOV0 Flag in this case behaves like a ninth bit, except that it is only set, not cleared. However, combined with the timer overflow interrupt that automatically clears the TOV0 Flag, the timer resolution can be increased by software. There are no special cases to consider in the Normal mode, a new counter value can be written anytime.

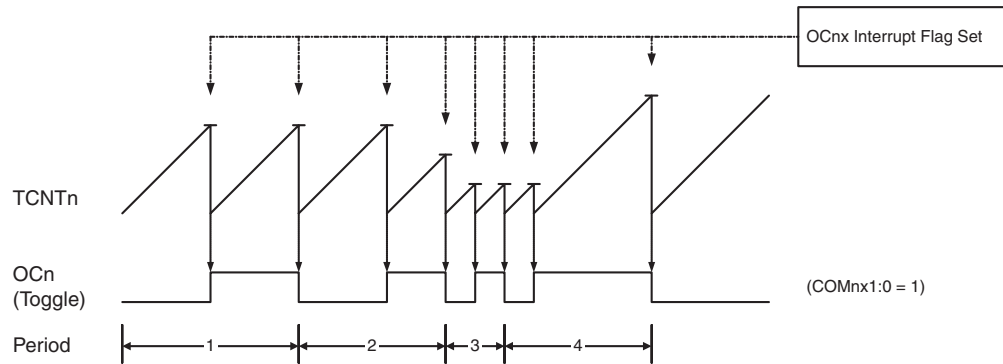
The Output Compare unit can be used to generate interrupts at some given time. Using the Output Compare to generate waveforms in Normal mode is not recommended, since this will occupy too much of the CPU time.

### 14.6.2 Clear Timer on Compare Match (CTC) Mode

In Clear Timer on Compare or CTC mode (WGM02:0 = 2), the OCR0A Register is used to manipulate the counter resolution. In CTC mode the counter is cleared to zero when the counter value (TCNT0) matches the OCR0A. The OCR0A defines the top value for the counter, hence also its resolution. This mode allows greater control of the compare match output frequency. It also simplifies the operation of counting external events.

The timing diagram for the CTC mode is shown in [Figure 14-5](#). The counter value (TCNT0) increases until a compare match occurs between TCNT0 and OCR0A, and then counter (TCNT0) is cleared.

**Figure 14-5.** CTC Mode, Timing Diagram



An interrupt can be generated each time the counter value reaches the TOP value by using the OCF0A Flag. If the interrupt is enabled, the interrupt handler routine can be used for updating the TOP value. However, changing TOP to a value close to BOTTOM when the counter is running with none or a low prescaler value must be done with care since the CTC mode does not have the double buffering feature. If the new value written to OCR0A is lower than the current value of TCNT0, the counter will miss the compare match. The counter will then have to count to its maximum value (0xFF) and wrap around starting at 0x00 before the compare match can occur.

For generating a waveform output in CTC mode, the OC0A output can be set to toggle its logical level on each compare match by setting the Compare Output mode bits to toggle mode (COM0A1:0 = 1). The OC0A value will not be visible on the port pin unless the data direction for the pin is set to output. The waveform generated will have a maximum frequency of  $f_{OC0} = f_{clk\_I/O}/2$  when OCR0A is set to zero (0x00). The waveform frequency is defined by the following equation:

$$f_{OCnx} = \frac{f_{clk\_I/O}}{2 \cdot N \cdot (1 + OCRnx)}$$

The  $N$  variable represents the prescale factor (1, 8, 64, 256, or 1024).

As for the Normal mode of operation, the TOV0 Flag is set in the same timer clock cycle that the counter counts from MAX to 0x00.

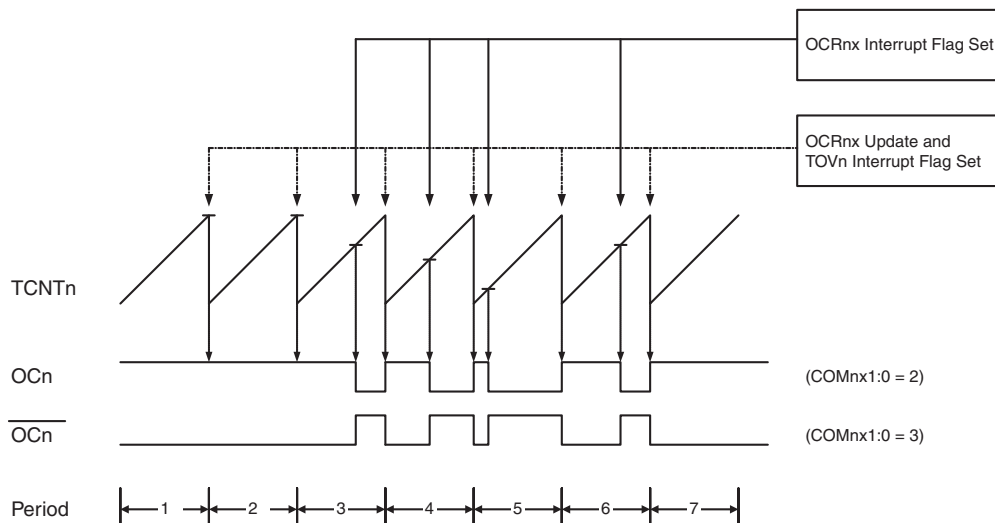
### 14.6.3 Fast PWM Mode

The fast Pulse Width Modulation or fast PWM mode (WGM02:0 = 3 or 7) provides a high frequency PWM waveform generation option. The fast PWM differs from the other PWM option by its single-slope operation. The counter counts from BOTTOM to TOP then restarts from BOTTOM. TOP is defined as 0xFF when WGM2:0 = 3, and OCR0A when WGM2:0 = 7. In non-inverting Compare Output mode, the Output Compare (OC0x) is cleared on the compare match between TCNT0 and OCR0x, and set at BOTTOM. In inverting Compare Output mode, the output is set on compare match and cleared at BOTTOM. Due to the single-slope operation, the operating frequency of the fast PWM mode can be twice as high as the phase correct PWM mode that use dual-slope operation. This high frequency makes the fast PWM mode well suited for power regulation, rectification, and DAC applications. High frequency allows physically small sized external components (coils, capacitors), and therefore reduces total system cost.

In fast PWM mode, the counter is incremented until the counter value matches the TOP value. The counter is then cleared at the following timer clock cycle. The timing diagram for the fast

PWM mode is shown in Figure 14-6. The TCNT0 value is in the timing diagram shown as a histogram for illustrating the single-slope operation. The diagram includes non-inverted and inverted PWM outputs. The small horizontal line marks on the TCNT0 slopes represent compare matches between OCR0x and TCNT0.

**Figure 14-6.** Fast PWM Mode, Timing Diagram



The Timer/Counter Overflow Flag (TOV0) is set each time the counter reaches TOP. If the interrupt is enabled, the interrupt handler routine can be used for updating the compare value.

In fast PWM mode, the compare unit allows generation of PWM waveforms on the OC0x pins. Setting the COM0x1:0 bits to two will produce a non-inverted PWM and an inverted PWM output can be generated by setting the COM0x1:0 to three: Setting the COM0A1:0 bits to one allows the OC0A pin to toggle on Compare Matches if the WGM02 bit is set. This option is not available for the OC0B pin (see Table 14-6 on page 98). The actual OC0x value will only be visible on the port pin if the data direction for the port pin is set as output. The PWM waveform is generated by setting (or clearing) the OC0x Register at the compare match between OCR0x and TCNT0, and clearing (or setting) the OC0x Register at the timer clock cycle the counter is cleared (changes from TOP to BOTTOM).

The PWM frequency for the output can be calculated by the following equation:

$$f_{OCnxPWM} = \frac{f_{clk\_I/O}}{N \cdot 256}$$

The  $N$  variable represents the prescale factor (1, 8, 64, 256, or 1024).

The extreme values for the OCR0A Register represents special cases when generating a PWM waveform output in the fast PWM mode. If the OCR0A is set equal to BOTTOM, the output will be a narrow spike for each MAX+1 timer clock cycle. Setting the OCR0A equal to MAX will result in a constantly high or low output (depending on the polarity of the output set by the COM0A1:0 bits.)

A frequency (with 50% duty cycle) waveform output in fast PWM mode can be achieved by setting OC0x to toggle its logical level on each compare match (COM0x1:0 = 1). The waveform generated will have a maximum frequency of  $f_{OC0} = f_{clk\_I/O}/2$  when OCR0A is set to zero. This

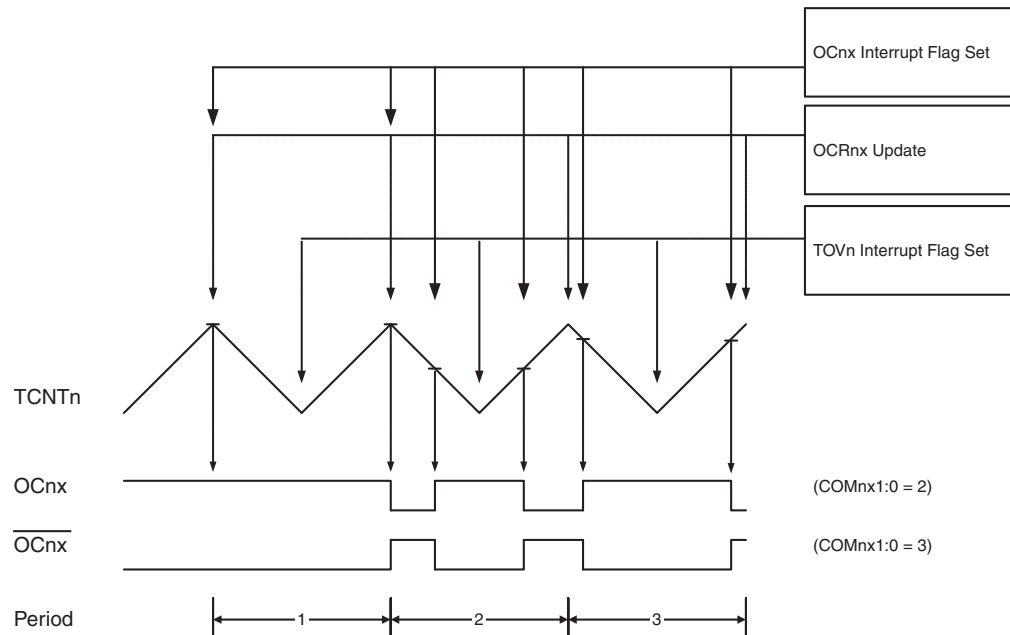
feature is similar to the OC0A toggle in CTC mode, except the double buffer feature of the Output Compare unit is enabled in the fast PWM mode.

#### 14.6.4 Phase Correct PWM Mode

The phase correct PWM mode ( $WGM02:0 = 1$  or  $5$ ) provides a high resolution phase correct PWM waveform generation option. The phase correct PWM mode is based on a dual-slope operation. The counter counts repeatedly from BOTTOM to TOP and then from TOP to BOTTOM. TOP is defined as  $0xFF$  when  $WGM2:0 = 1$ , and  $OCR0A$  when  $WGM2:0 = 5$ . In non-inverting Compare Output mode, the Output Compare ( $OC0x$ ) is cleared on the compare match between  $TCNT0$  and  $OCR0x$  while upcounting, and set on the compare match while downcounting. In inverting Output Compare mode, the operation is inverted. The dual-slope operation has lower maximum operation frequency than single slope operation. However, due to the symmetric feature of the dual-slope PWM modes, these modes are preferred for motor control applications.

In phase correct PWM mode the counter is incremented until the counter value matches TOP. When the counter reaches TOP, it changes the count direction. The  $TCNT0$  value will be equal to TOP for one timer clock cycle. The timing diagram for the phase correct PWM mode is shown on [Figure 14-7](#). The  $TCNT0$  value is in the timing diagram shown as a histogram for illustrating the dual-slope operation. The diagram includes non-inverted and inverted PWM outputs. The small horizontal line marks on the  $TCNT0$  slopes represent compare matches between  $OCR0x$  and  $TCNT0$ .

**Figure 14-7.** Phase Correct PWM Mode, Timing Diagram



The Timer/Counter Overflow Flag ( $TOV0$ ) is set each time the counter reaches BOTTOM. The Interrupt Flag can be used to generate an interrupt each time the counter reaches the BOTTOM value.

In phase correct PWM mode, the compare unit allows generation of PWM waveforms on the  $OC0x$  pins. Setting the  $COM0x1:0$  bits to two will produce a non-inverted PWM. An inverted PWM output can be generated by setting the  $COM0x1:0$  to three: Setting the  $COM0A0$  bits to

one allows the OC0A pin to toggle on Compare Matches if the WGM02 bit is set. This option is not available for the OC0B pin (see [Table 14-7 on page 99](#)). The actual OC0x value will only be visible on the port pin if the data direction for the port pin is set as output. The PWM waveform is generated by clearing (or setting) the OC0x Register at the compare match between OCR0x and TCNT0 when the counter increments, and setting (or clearing) the OC0x Register at compare match between OCR0x and TCNT0 when the counter decrements. The PWM frequency for the output when using phase correct PWM can be calculated by the following equation:

$$f_{OCnxPCPWM} = \frac{f_{clk\_I/O}}{N \cdot 510}$$

The N variable represents the prescale factor (1, 8, 64, 256, or 1024).

The extreme values for the OCR0A Register represent special cases when generating a PWM waveform output in the phase correct PWM mode. If the OCR0A is set equal to BOTTOM, the output will be continuously low and if set equal to MAX the output will be continuously high for non-inverted PWM mode. For inverted PWM the output will have the opposite logic values.

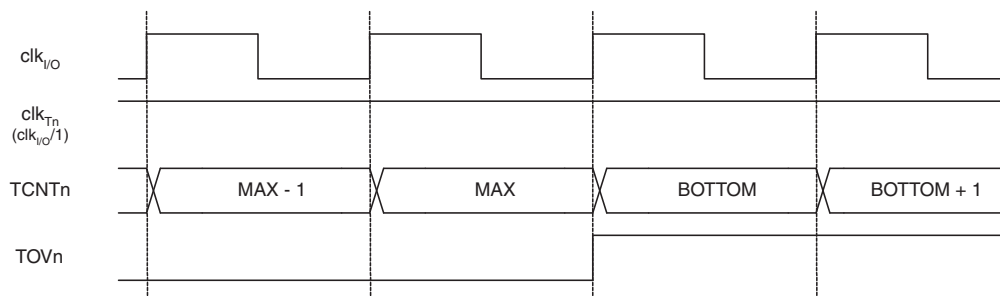
At the very start of period 2 in [Figure 14-7](#) OCnx has a transition from high to low even though there is no Compare Match. The point of this transition is to guarantee symmetry around BOTTOM. There are two cases that give a transition without Compare Match.

- OCRnx changes its value from MAX, like in [Figure 14-7](#). When the OCR0A value is MAX the OCn pin value is the same as the result of a down-counting Compare Match. To ensure symmetry around BOTTOM the OCnx value at MAX must correspond to the result of an up-counting Compare Match.
- The timer starts counting from a value higher than the one in OCRnx, and for that reason misses the Compare Match and hence the OCnx change that would have happened on the way up.

## 14.7 Timer/Counter Timing Diagrams

The Timer/Counter is a synchronous design and the timer clock ( $clk_{T0}$ ) is therefore shown as a clock enable signal in the following figures. The figures include information on when interrupt flags are set. [Figure 14-8](#) contains timing data for basic Timer/Counter operation. The figure shows the count sequence close to the MAX value in all modes other than phase correct PWM mode.

**Figure 14-8.** Timer/Counter Timing Diagram, no Prescaling



[Figure 14-9](#) shows the same timing data, but with the prescaler enabled.

**Figure 14-9.** Timer/Counter Timing Diagram, with Prescaler ( $f_{clk\_I/O}/8$ )

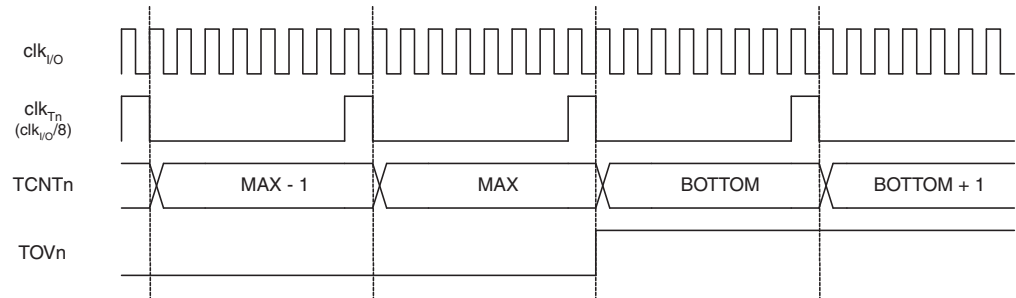


Figure 14-10 shows the setting of OCF0B in all modes and OCF0A in all modes except CTC mode and PWM mode, where OCR0A is TOP.

**Figure 14-10.** Timer/Counter Timing Diagram, Setting of OCF0x, with Prescaler ( $f_{clk\_I/O}/8$ )

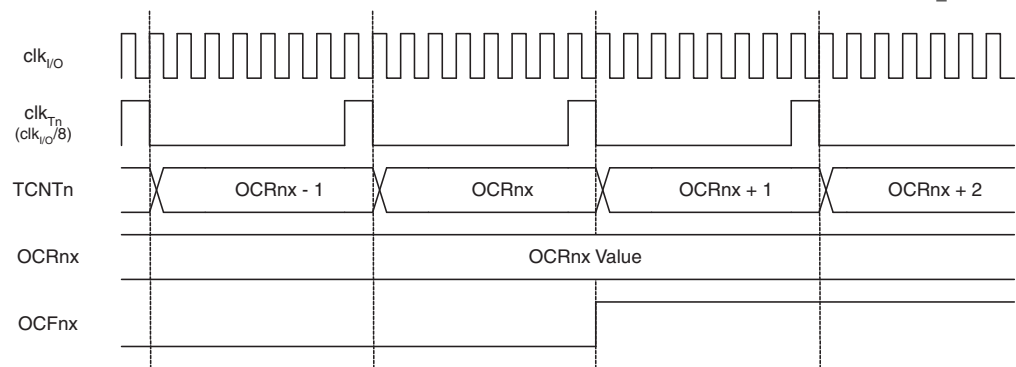
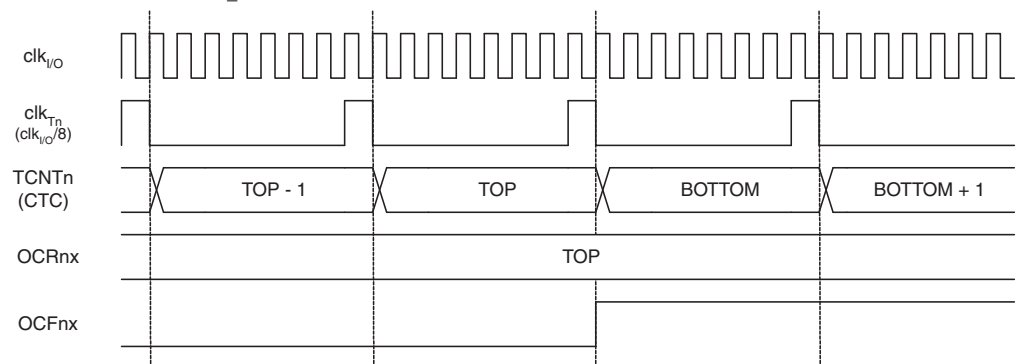


Figure 14-11 shows the setting of OCF0A and the clearing of TCNT0 in CTC mode and fast PWM mode where OCR0A is TOP.

**Figure 14-11.** Timer/Counter Timing Diagram, Clear Timer on Compare Match mode, with Prescaler ( $f_{clk\_I/O}/8$ )





## 14.8 8-bit Timer/Counter Register Description

### 14.8.1 Timer/Counter Control Register A – TCCR0A

Bit	7	6	5	4	3	2	1	0	
	COM0A1	COM0A0	COM0B1	COM0B0	–	–	WGM01	WGM00	TCCR0A
Read/Write	R/W	R/W	R/W	R/W	R	R	R/W	R/W	
Initial Value	0	0	0	0	0	0	0	0	

- **Bits 7:6 – COM0A1:0: Compare Match Output A Mode**

These bits control the Output Compare pin (OC0A) behavior. If one or both of the COM0A1:0 bits are set, the OC0A output overrides the normal port functionality of the I/O pin it is connected to. However, note that the Data Direction Register (DDR) bit corresponding to the OC0A pin must be set in order to enable the output driver.

When OC0A is connected to the pin, the function of the COM0A1:0 bits depends on the WGM02:0 bit setting. [Table 14-2](#) shows the COM0A1:0 bit functionality when the WGM02:0 bits are set to a normal or CTC mode (non-PWM).

**Table 14-2.** Compare Output Mode, non-PWM Mode

COM0A1	COM0A0	Description
0	0	Normal port operation, OC0A disconnected.
0	1	Toggle OC0A on Compare Match
1	0	Clear OC0A on Compare Match
1	1	Set OC0A on Compare Match

[Table 14-3](#) shows the COM0A1:0 bit functionality when the WGM01:0 bits are set to fast PWM mode.

**Table 14-3.** Compare Output Mode, Fast PWM Mode<sup>(1)</sup>

COM0A1	COM0A0	Description
0	0	Normal port operation, OC0A disconnected.
0	1	WGM02 = 0: Normal Port Operation, OC0A Disconnected. WGM02 = 1: Toggle OC0A on Compare Match.
1	0	Clear OC0A on Compare Match, set OC0A at TOP
1	1	Set OC0A on Compare Match, clear OC0A at TOP

Note: 1. A special case occurs when OCR0A equals TOP and COM0A1 is set. In this case, the Compare Match is ignored, but the set or clear is done at TOP. See [“Fast PWM Mode”](#) on page 92 for more details.

Table 14-4 shows the COM0A1:0 bit functionality when the WGM02:0 bits are set to phase correct PWM mode.

**Table 14-4.** Compare Output Mode, Phase Correct PWM Mode<sup>(1)</sup>

COM0A1	COM0A0	Description
0	0	Normal port operation, OC0A disconnected.
0	1	WGM02 = 0: Normal Port Operation, OC0A Disconnected. WGM02 = 1: Toggle OC0A on Compare Match.
1	0	Clear OC0A on Compare Match when up-counting. Set OC0A on Compare Match when down-counting.
1	1	Set OC0A on Compare Match when up-counting. Clear OC0A on Compare Match when down-counting.

Note: 1. A special case occurs when OCR0A equals TOP and COM0A1 is set. In this case, the Compare Match is ignored, but the set or clear is done at TOP. See “Phase Correct PWM Mode” on page 118 for more details.

• **Bits 5:4 – COM0B1:0: Compare Match Output B Mode**

These bits control the Output Compare pin (OC0B) behavior. If one or both of the COM0B1:0 bits are set, the OC0B output overrides the normal port functionality of the I/O pin it is connected to. However, note that the Data Direction Register (DDR) bit corresponding to the OC0B pin must be set in order to enable the output driver.

When OC0B is connected to the pin, the function of the COM0B1:0 bits depends on the WGM02:0 bit setting. Table 14-5 shows the COM0B1:0 bit functionality when the WGM02:0 bits are set to a normal or CTC mode (non-PWM).

**Table 14-5.** Compare Output Mode, non-PWM Mode

COM0B1	COM0B0	Description
0	0	Normal port operation, OC0B disconnected.
0	1	Toggle OC0B on Compare Match
1	0	Clear OC0B on Compare Match
1	1	Set OC0B on Compare Match

Table 14-6 shows the COM0B1:0 bit functionality when the WGM02:0 bits are set to fast PWM mode.

**Table 14-6.** Compare Output Mode, Fast PWM Mode<sup>(1)</sup>

COM0B1	COM0B0	Description
0	0	Normal port operation, OC0B disconnected.
0	1	Reserved
1	0	Clear OC0B on Compare Match, set OC0B at TOP
1	1	Set OC0B on Compare Match, clear OC0B at TOP

Note: 1. A special case occurs when OCR0B equals TOP and COM0B1 is set. In this case, the Compare Match is ignored, but the set or clear is done at TOP. See “Fast PWM Mode” on page 92 for more details.

Table 14-7 shows the COM0B1:0 bit functionality when the WGM02:0 bits are set to phase correct PWM mode.

**Table 14-7.** Compare Output Mode, Phase Correct PWM Mode<sup>(1)</sup>

COM0B1	COM0B0	Description
0	0	Normal port operation, OC0B disconnected.
0	1	Reserved
1	0	Clear OC0B on Compare Match when up-counting. Set OC0B on Compare Match when down-counting.
1	1	Set OC0B on Compare Match when up-counting. Clear OC0B on Compare Match when down-counting.

Note: 1. A special case occurs when OCR0B equals TOP and COM0B1 is set. In this case, the Compare Match is ignored, but the set or clear is done at TOP. See “Phase Correct PWM Mode” on page 94 for more details.

- **Bits 3, 2 – Res: Reserved Bits**

These bits are reserved bits in the AT90PWM216/316 and will always read as zero.

- **Bits 1:0 – WGM01:0: Waveform Generation Mode**

Combined with the WGM02 bit found in the TCCR0B Register, these bits control the counting sequence of the counter, the source for maximum (TOP) counter value, and what type of waveform generation to be used, see Table 14-8. Modes of operation supported by the Timer/Counter unit are: Normal mode (counter), Clear Timer on Compare Match (CTC) mode, and two types of Pulse Width Modulation (PWM) modes (see “Modes of Operation” on page 91).

**Table 14-8.** Waveform Generation Mode Bit Description

Mode	WGM02	WGM01	WGM00	Timer/Counter Mode of Operation	TOP	Update of OCRx at	TOV Flag Set on <sup>(1)(2)</sup>
0	0	0	0	Normal	0xFF	Immediate	MAX
1	0	0	1	PWM, Phase Correct	0xFF	TOP	BOTTOM
2	0	1	0	CTC	OCRA	Immediate	MAX
3	0	1	1	Fast PWM	0xFF	TOP	MAX
4	1	0	0	Reserved	–	–	–
5	1	0	1	PWM, Phase Correct	OCRA	TOP	BOTTOM
6	1	1	0	Reserved	–	–	–
7	1	1	1	Fast PWM	OCRA	TOP	TOP

Notes: 1. MAX = 0xFF  
2. BOTTOM = 0x00

## 14.8.2 Timer/Counter Control Register B – TCCR0B

Bit	7	6	5	4	3	2	1	0	
	FOC0A	FOC0B	–	–	WGM02	CS02	CS01	CS00	TCCR0B
Read/Write	W	W	R	R	R	R	R/W	R/W	
Initial Value	0	0	0	0	0	0	0	0	

- **Bit 7 – FOC0A: Force Output Compare A**

The FOC0A bit is only active when the WGM bits specify a non-PWM mode.

However, for ensuring compatibility with future devices, this bit must be set to zero when TCCR0B is written when operating in PWM mode. When writing a logical one to the FOC0A bit, an immediate Compare Match is forced on the Waveform Generation unit. The OC0A output is changed according to its COM0A1:0 bits setting. Note that the FOC0A bit is implemented as a strobe. Therefore it is the value present in the COM0A1:0 bits that determines the effect of the forced compare.

A FOC0A strobe will not generate any interrupt, nor will it clear the timer in CTC mode using OCR0A as TOP.

The FOC0A bit is always read as zero.

- **Bit 6 – FOC0B: Force Output Compare B**

The FOC0B bit is only active when the WGM bits specify a non-PWM mode.

However, for ensuring compatibility with future devices, this bit must be set to zero when TCCR0B is written when operating in PWM mode. When writing a logical one to the FOC0B bit, an immediate Compare Match is forced on the Waveform Generation unit. The OC0B output is changed according to its COM0B1:0 bits setting. Note that the FOC0B bit is implemented as a strobe. Therefore it is the value present in the COM0B1:0 bits that determines the effect of the forced compare.

A FOC0B strobe will not generate any interrupt, nor will it clear the timer in CTC mode using OCR0B as TOP.

The FOC0B bit is always read as zero.

- **Bits 5:4 – Res: Reserved Bits**

These bits are reserved bits in the AT90PWM216/316 and will always read as zero.

- **Bit 3 – WGM02: Waveform Generation Mode**

See the description in the [“Timer/Counter Control Register A – TCCR0A”](#) on page 97.

- **Bits 2:0 – CS02:0: Clock Select**

The three Clock Select bits select the clock source to be used by the Timer/Counter.

**Table 14-9.** Clock Select Bit Description

CS02	CS01	CS00	Description
0	0	0	No clock source (Timer/Counter stopped)
0	0	1	$clk_{I/O}$ /(No prescaling)
0	1	0	$clk_{I/O}/8$ (From prescaler)
0	1	1	$clk_{I/O}/64$ (From prescaler)

**Table 14-9.** Clock Select Bit Description (Continued)

CS02	CS01	CS00	Description
1	0	0	clk <sub>I/O</sub> /256 (From prescaler)
1	0	1	clk <sub>I/O</sub> /1024 (From prescaler)
1	1	0	External clock source on T0 pin. Clock on falling edge.
1	1	1	External clock source on T0 pin. Clock on rising edge.

If external pin modes are used for the Timer/Counter0, transitions on the T0 pin will clock the counter even if the pin is configured as an output. This feature allows software control of the counting.

### 14.8.3 Timer/Counter Register – TCNT0

Bit	7	6	5	4	3	2	1	0	
	<b>TCNT0[7:0]</b>								<b>TCNT0</b>
Read/Write	R/W	R/W	R/W	R/W	R/W	R/W	R/W	R/W	
Initial Value	0	0	0	0	0	0	0	0	

The Timer/Counter Register gives direct access, both for read and write operations, to the Timer/Counter unit 8-bit counter. Writing to the TCNT0 Register blocks (removes) the Compare Match on the following timer clock. Modifying the counter (TCNT0) while the counter is running, introduces a risk of missing a Compare Match between TCNT0 and the OCR0x Registers.

### 14.8.4 Output Compare Register A – OCR0A

Bit	7	6	5	4	3	2	1	0	
	<b>OCR0A[7:0]</b>								<b>OCR0A</b>
Read/Write	R/W	R/W	R/W	R/W	R/W	R/W	R/W	R/W	
Initial Value	0	0	0	0	0	0	0	0	

The Output Compare Register A contains an 8-bit value that is continuously compared with the counter value (TCNT0). A match can be used to generate an Output Compare interrupt, or to generate a waveform output on the OC0A pin.

### 14.8.5 Output Compare Register B – OCR0B

Bit	7	6	5	4	3	2	1	0	
	<b>OCR0B[7:0]</b>								<b>OCR0B</b>
Read/Write	R/W	R/W	R/W	R/W	R/W	R/W	R/W	R/W	
Initial Value	0	0	0	0	0	0	0	0	

The Output Compare Register B contains an 8-bit value that is continuously compared with the counter value (TCNT0). A match can be used to generate an Output Compare interrupt, or to generate a waveform output on the OC0B pin.

### 14.8.6 Timer/Counter Interrupt Mask Register – TIMSK0

Bit	7	6	5	4	3	2	1	0	
	-					<b>OCIE0B</b>	<b>OCIE0A</b>	<b>TOIE0</b>	<b>TIMSK0</b>
Read/Write	R	R	R	R	R	R/W	R/W	R/W	
Initial Value	0	0	0	0	0	0	0	0	

- **Bits 7..3 – Res: Reserved Bits**

These bits are reserved bits in the AT90PWM216/316 and will always read as zero.

- **Bit 2 – OCIE0B: Timer/Counter Output Compare Match B Interrupt Enable**

When the OCIE0B bit is written to one, and the I-bit in the Status Register is set, the Timer/Counter Compare Match B interrupt is enabled. The corresponding interrupt is executed if a Compare Match in Timer/Counter occurs, i.e., when the OCF0B bit is set in the Timer/Counter Interrupt Flag Register – TIFR0.

- **Bit 1 – OCIE0A: Timer/Counter0 Output Compare Match A Interrupt Enable**

When the OCIE0A bit is written to one, and the I-bit in the Status Register is set, the Timer/Counter0 Compare Match A interrupt is enabled. The corresponding interrupt is executed if a Compare Match in Timer/Counter0 occurs, i.e., when the OCF0A bit is set in the Timer/Counter 0 Interrupt Flag Register – TIFR0.

- **Bit 0 – TOIE0: Timer/Counter0 Overflow Interrupt Enable**

When the TOIE0 bit is written to one, and the I-bit in the Status Register is set, the Timer/Counter0 Overflow interrupt is enabled. The corresponding interrupt is executed if an overflow in Timer/Counter0 occurs, i.e., when the TOV0 bit is set in the Timer/Counter 0 Interrupt Flag Register – TIFR0.

#### 14.8.7 Timer/Counter 0 Interrupt Flag Register – TIFR0

Bit	7	6	5	4	3	2	1	0	
	-					OCF0B	OCF0A	TOV0	TIFR0
Read/Write	R	R	R	R	R	R/W	R/W	R/W	
Initial Value	0	0	0	0	0	0	0	0	

- **Bits 7..3 – Res: Reserved Bits**

These bits are reserved bits in the AT90PWM216/316 and will always read as zero.

- **Bit 2 – OCF0B: Timer/Counter 0 Output Compare B Match Flag**

The OCF0B bit is set when a Compare Match occurs between the Timer/Counter and the data in OCR0B – Output Compare Register0 B. OCF0B is cleared by hardware when executing the corresponding interrupt handling vector. Alternatively, OCF0B is cleared by writing a logic one to the flag. When the I-bit in SREG, OCIE0B (Timer/Counter Compare B Match Interrupt Enable), and OCF0B are set, the Timer/Counter Compare Match Interrupt is executed.

- **Bit 1 – OCF0A: Timer/Counter 0 Output Compare A Match Flag**

The OCF0A bit is set when a Compare Match occurs between the Timer/Counter0 and the data in OCR0A – Output Compare Register0. OCF0A is cleared by hardware when executing the corresponding interrupt handling vector. Alternatively, OCF0A is cleared by writing a logic one to the flag. When the I-bit in SREG, OCIE0A (Timer/Counter0 Compare Match Interrupt Enable), and OCF0A are set, the Timer/Counter0 Compare Match Interrupt is executed.

- **Bit 0 – TOV0: Timer/Counter0 Overflow Flag**

The bit TOV0 is set when an overflow occurs in Timer/Counter0. TOV0 is cleared by hardware when executing the corresponding interrupt handling vector. Alternatively, TOV0 is cleared by writing a logic one to the flag. When the SREG I-bit, TOIE0 (Timer/Counter0 Overflow Interrupt Enable), and TOV0 are set, the Timer/Counter0 Overflow interrupt is executed.

The setting of this flag is dependent of the WGM02:0 bit setting. Refer to [Table 14-8, “Waveform Generation Mode Bit Description” on page 99](#).

## 15. 16-bit Timer/Counter1 with PWM

The 16-bit Timer/Counter unit allows accurate program execution timing (event management), wave generation, and signal timing measurement. The main features are:

- **True 16-bit Design (i.e., Allows 16-bit PWM)**
- **Two independent Output Compare Units**
- **Double Buffered Output Compare Registers**
- **One Input Capture Unit**
- **Input Capture Noise Canceler**
- **Clear Timer on Compare Match (Auto Reload)**
- **Glitch-free, Phase Correct Pulse Width Modulator (PWM)**
- **Variable PWM Period**
- **Frequency Generator**
- **External Event Counter**
- **Four independent interrupt Sources (TOV1, OCF1A, OCF1B, and ICF1)**

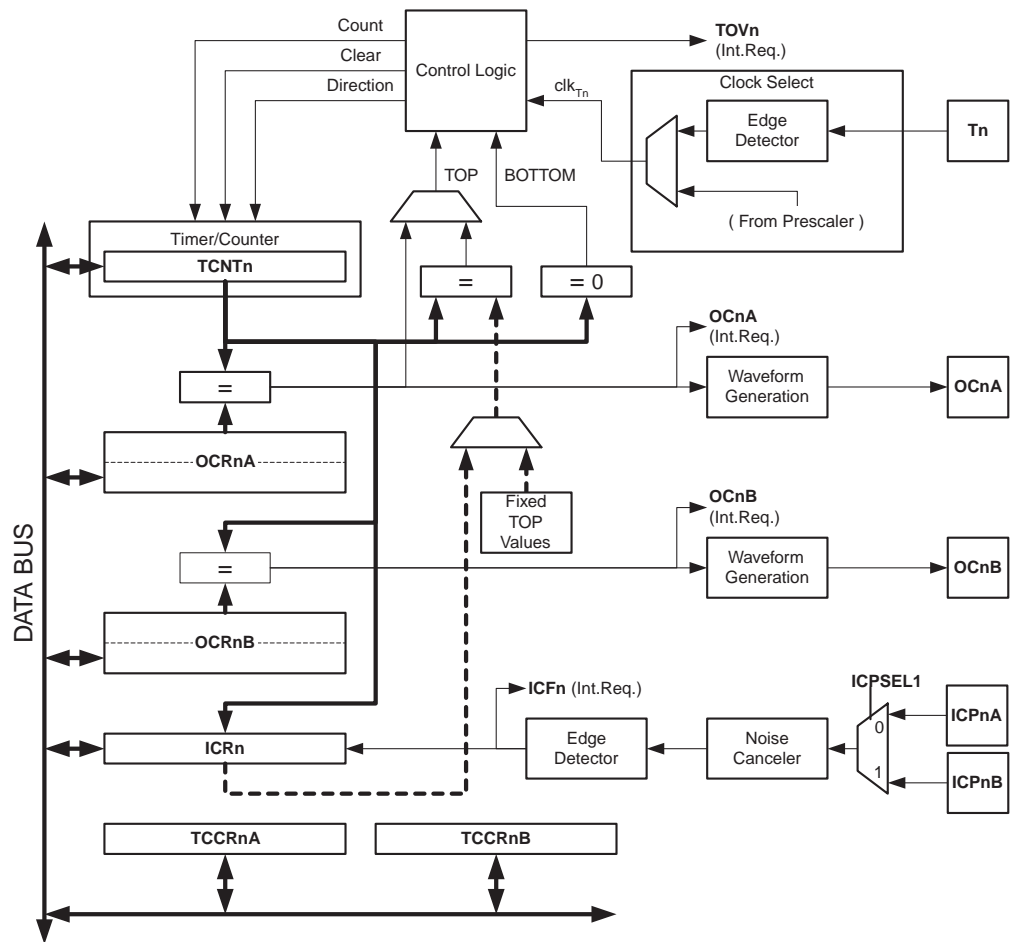
### 15.1 Overview

Most register and bit references in this section are written in general form. A lower case “n” replaces the Timer/Counter number, and a lower case “x” replaces the Output Compare unit channel. However, when using the register or bit defines in a program, the precise form must be used, i.e., TCNT1 for accessing Timer/Counter1 counter value and so on.

A simplified block diagram of the 16-bit Timer/Counter is shown in [Figure 15-1](#). For the actual placement of I/O pins, refer to “[Pin Descriptions](#)” on page 4. CPU accessible I/O Registers, including I/O bits and I/O pins, are shown in bold. The device-specific I/O Register and bit locations are listed in the “[16-bit Timer/Counter Register Description](#)” on page 124.

The PRTIM1 bit in “[Power Reduction Register](#)” on page 41 must be written to zero to enable Timer/Counter1 module.

**Figure 15-1. 16-bit Timer/Counter Block Diagram<sup>(1)</sup>**



Note: 1. Refer to [Table on page 4](#) for Timer/Counter1 pin placement and description.

### 15.1.1 Registers

The *Timer/Counter* (TCNTn), *Output Compare Registers* (OCRnx), and *Input Capture Register* (ICRn) are all 16-bit registers. Special procedures must be followed when accessing the 16-bit registers. These procedures are described in the section “[Accessing 16-bit Registers](#)” on page 105. The *Timer/Counter Control Registers* (TCCRnx) are 8-bit registers and have no CPU access restrictions. Interrupt requests (abbreviated to Int.Req. in the figure) signals are all visible in the *Timer Interrupt Flag Register* (TIFRn). All interrupts are individually masked with the *Timer Interrupt Mask Register* (TIMSKn). TIFRn and TIMSKn are not shown in the figure.

The Timer/Counter can be clocked internally, via the prescaler, or by an external clock source on the Tn pin. The Clock Select logic block controls which clock source and edge the Timer/Counter uses to increment (or decrement) its value. The Timer/Counter is inactive when no clock source is selected. The output from the Clock Select logic is referred to as the timer clock (clk<sub>Tn</sub>).

The double buffered Output Compare Registers (OCRnx) are compared with the Timer/Counter value at all time. The result of the compare can be used by the Waveform Generator to generate a PWM or variable frequency output on the Output Compare pin (OCnx). See “[Output Compare Units](#)” on page 112. The compare match event will also set the Compare Match Flag (OCFnx) which can be used to generate an Output Compare interrupt request.



The Input Capture Register can capture the Timer/Counter value at a given external (edge triggered) event on either the Input Capture pin (ICPn). The Input Capture unit includes a digital filtering unit (Noise Canceler) for reducing the chance of capturing noise spikes.

The TOP value, or maximum Timer/Counter value, can in some modes of operation be defined by either the OCRnA Register, the ICRn Register, or by a set of fixed values. When using OCRnA as TOP value in a PWM mode, the OCRnA Register can not be used for generating a PWM output. However, the TOP value will in this case be double buffered allowing the TOP value to be changed in run time. If a fixed TOP value is required, the ICRn Register can be used as an alternative, freeing the OCRnA to be used as PWM output.

## 15.1.2 Definitions

The following definitions are used extensively throughout the section:

**Table 15-1.**

BOTTOM	The counter reaches the <i>BOTTOM</i> when it becomes 0x0000.
MAX	The counter reaches its <i>MAX</i> imum when it becomes 0xFFFF (decimal 65535).
TOP	The counter reaches the <i>TOP</i> when it becomes equal to the highest value in the count sequence. The TOP value can be assigned to be one of the fixed values: 0x00FF, 0x01FF, or 0x03FF, or to the value stored in the OCRnA or ICRn Register. The assignment is dependent of the mode of operation.

## 15.2 Accessing 16-bit Registers

The TCNTn, OCRnx, and ICRn are 16-bit registers that can be accessed by the AVR CPU via the 8-bit data bus. The 16-bit register must be byte accessed using two read or write operations. Each 16-bit timer has a single 8-bit register for temporary storing of the high byte of the 16-bit access. The same temporary register is shared between all 16-bit registers within each 16-bit timer. Accessing the low byte triggers the 16-bit read or write operation. When the low byte of a 16-bit register is written by the CPU, the high byte stored in the temporary register, and the low byte written are both copied into the 16-bit register in the same clock cycle. When the low byte of a 16-bit register is read by the CPU, the high byte of the 16-bit register is copied into the temporary register in the same clock cycle as the low byte is read.

Not all 16-bit accesses uses the temporary register for the high byte. Reading the OCRnx 16-bit registers does not involve using the temporary register.

To do a 16-bit write, the high byte must be written before the low byte. For a 16-bit read, the low byte must be read before the high byte.

The following code examples show how to access the 16-bit Timer Registers assuming that no interrupts updates the temporary register. The same principle can be used directly for accessing the OCRnx and ICRn Registers. Note that when using “C”, the compiler handles the 16-bit access.

**TABLE 2.**

Assembly Code Examples <sup>(1)</sup>
<pre> ... ; Set TCNTn to 0x01FF ldi r17,0x01 ldi r16,0xFF out TCNTnH,r17 out TCNTnL,r16 ; Read TCNTn into r17:r16 in r16,TCNTnL in r17,TCNTnH ... </pre>
C Code Examples <sup>(1)</sup>
<pre> unsigned int i; ... /* Set TCNTn to 0x01FF */ TCNTn = 0x1FF; /* Read TCNTn into i */ i = TCNTn; ... </pre>

Note: 1. The example code assumes that the part specific header file is included. For I/O Registers located in extended I/O map, “IN”, “OUT”, “SBIS”, “SBIC”, “CBI”, and “SBI” instructions must be replaced with instructions that allow access to extended I/O. Typically “LDS” and “STS” combined with “SBRS”, “SBRC”, “SBR”, and “CBR”.

The assembly code example returns the TCNTn value in the r17:r16 register pair.

It is important to notice that accessing 16-bit registers are atomic operations. If an interrupt occurs between the two instructions accessing the 16-bit register, and the interrupt code updates the temporary register by accessing the same or any other of the 16-bit Timer Registers, then the result of the access outside the interrupt will be corrupted. Therefore, when both the main code and the interrupt code update the temporary register, the main code must disable the interrupts during the 16-bit access.

The following code examples show how to do an atomic read of the TCNTn Register contents. Reading any of the OCRnx or ICRn Registers can be done by using the same principle.

**TABLE 2.**

Assembly Code Example <sup>(1)</sup>
<pre> TIM16_ReadTCNTn:     ; Save global interrupt flag     in r18,SREG     ; Disable interrupts     cli     ; Read TCNTn into r17:r16     in r16,TCNTnL     in r17,TCNTnH     ; Restore global interrupt flag     out SREG,r18     ret </pre>
C Code Example <sup>(1)</sup>
<pre> unsigned int TIM16_ReadTCNTn( void ) {     unsigned char sreg;     unsigned int i;     /* Save global interrupt flag */     sreg = SREG;     /* Disable interrupts */     _CLI();     /* Read TCNTn into i */     i = TCNTn;     /* Restore global interrupt flag */     SREG = sreg;     return i; } </pre>

Note: 1. The example code assumes that the part specific header file is included. For I/O Registers located in extended I/O map, “IN”, “OUT”, “SBIS”, “SBIC”, “CBI”, and “SBI” instructions must be replaced with instructions that allow access to extended I/O. Typically “LDS” and “STS” combined with “SBRS”, “SBRC”, “SBR”, and “CBR”.

The assembly code example returns the TCNTn value in the r17:r16 register pair.

The following code examples show how to do an atomic write of the TCNTn Register contents. Writing any of the OCRnx or ICRn Registers can be done by using the same principle.

**TABLE 2.**

Assembly Code Example <sup>(1)</sup>
<pre> TIM16_WriteTCNTn:     ; Save global interrupt flag     in r18,SREG     ; Disable interrupts     cli     ; Set TCNTn to r17:r16     out TCNTnH,r17     out TCNTnL,r16     ; Restore global interrupt flag     out SREG,r18     ret </pre>
C Code Example <sup>(1)</sup>
<pre> void TIM16_WriteTCNTn( unsigned int i ) {     unsigned char sreg;     unsigned int i;     /* Save global interrupt flag */     sreg = SREG;     /* Disable interrupts */     _CLI();     /* Set TCNTn to i */     TCNTn = i;     /* Restore global interrupt flag */     SREG = sreg; } </pre>

Note: 1. The example code assumes that the part specific header file is included. For I/O Registers located in extended I/O map, “IN”, “OUT”, “SBIS”, “SBIC”, “CBI”, and “SBI” instructions must be replaced with instructions that allow access to extended I/O. Typically “LDS” and “STS” combined with “SBR”, “SBRC”, “SBR”, and “CBR”.

The assembly code example requires that the r17:r16 register pair contains the value to be written to TCNTn.

### 15.2.1 Reusing the Temporary High Byte Register

If writing to more than one 16-bit register where the high byte is the same for all registers written, then the high byte only needs to be written once. However, note that the same rule of atomic operation described previously also applies in this case.

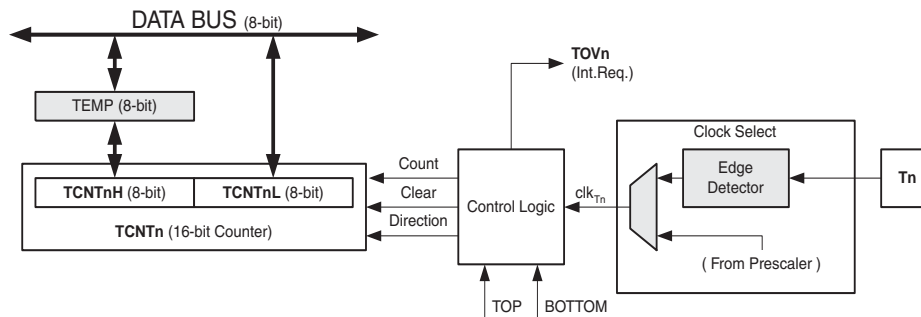
## 15.3 Timer/Counter Clock Sources

The Timer/Counter can be clocked by an internal or an external clock source. The clock source is selected by the Clock Select logic which is controlled by the *Clock Select* (CSn2:0) bits located in the *Timer/Counter control Register B* (TCCRnB). For details on clock sources and prescaler, see “[Timer/Counter0 and Timer/Counter1 Prescalers](#)” on page 82.

## 15.4 Counter Unit

The main part of the 16-bit Timer/Counter is the programmable 16-bit bi-directional counter unit. Figure 15-2 shows a block diagram of the counter and its surroundings.

Figure 15-2. Counter Unit Block Diagram



Signal description (internal signals):

<b>Count</b>	Increment or decrement TCNTn by 1.
<b>Direction</b>	Select between increment and decrement.
<b>Clear</b>	Clear TCNTn (set all bits to zero).
<b>clk<sub>Tn</sub></b>	Timer/Counter clock.
<b>TOP</b>	Signalize that TCNTn has reached maximum value.
<b>BOTTOM</b>	Signalize that TCNTn has reached minimum value (zero).

The 16-bit counter is mapped into two 8-bit I/O memory locations: *Counter High* (TCNTnH) containing the upper eight bits of the counter, and *Counter Low* (TCNTnL) containing the lower eight bits. The TCNTnH Register can only be indirectly accessed by the CPU. When the CPU does an access to the TCNTnH I/O location, the CPU accesses the high byte temporary register (TEMP). The temporary register is updated with the TCNTnH value when the TCNTnL is read, and TCNTnH is updated with the temporary register value when TCNTnL is written. This allows the CPU to read or write the entire 16-bit counter value within one clock cycle via the 8-bit data bus. It is important to notice that there are special cases of writing to the TCNTn Register when the counter is counting that will give unpredictable results. The special cases are described in the sections where they are of importance.

Depending on the mode of operation used, the counter is cleared, incremented, or decremented at each *timer clock* (clk<sub>Tn</sub>). The clk<sub>Tn</sub> can be generated from an external or internal clock source, selected by the *Clock Select* bits (CSn2:0). When no clock source is selected (CSn2:0 = 0) the timer is stopped. However, the TCNTn value can be accessed by the CPU, independent of whether clk<sub>Tn</sub> is present or not. A CPU write overrides (has priority over) all counter clear or count operations.

The counting sequence is determined by the setting of the *Waveform Generation mode* bits (WGMn3:0) located in the *Timer/Counter Control Registers A and B* (TCCRnA and TCCRnB). There are close connections between how the counter behaves (counts) and how waveforms are generated on the Output Compare outputs OCnx. For more details about advanced counting sequences and waveform generation, see “16-bit Timer/Counter1 with PWM” on page 103.

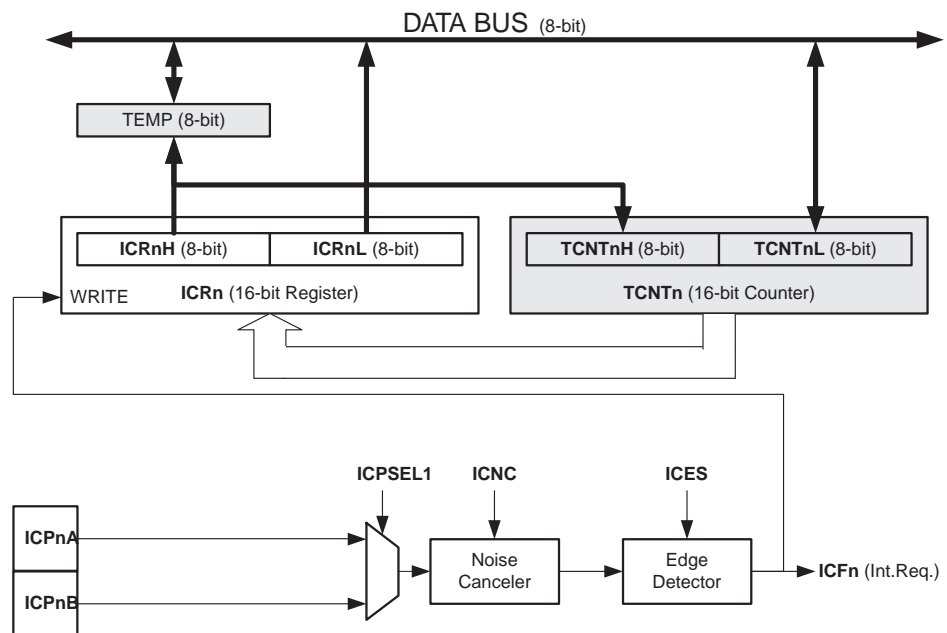
The Timer/Counter Overflow Flag (TOVn) is set according to the mode of operation selected by the WGMn3:0 bits. TOVn can be used for generating a CPU interrupt.

## 15.5 Input Capture Unit

The Timer/Counter incorporates an Input Capture unit that can capture external events and give them a time-stamp indicating time of occurrence. The external signal indicating an event, or multiple events, can be applied via the ICPn pin or alternatively, via the analog-comparator unit. The time-stamps can then be used to calculate frequency, duty-cycle, and other features of the signal applied. Alternatively the time-stamps can be used for creating a log of the events.

The Input Capture unit is illustrated by the block diagram shown in Figure 15-3. The elements of the block diagram that are not directly a part of the Input Capture unit are gray shaded. The small “n” in register and bit names indicates the Timer/Counter number.

**Figure 15-3.** Input Capture Unit Block Diagram



When a change of the logic level (an event) occurs on the *Input Capture pin* (ICPn), alternatively on the *Analog Comparator output* (ACO), and this change confirms to the setting of the edge detector, a capture will be triggered. When a capture is triggered, the 16-bit value of the counter (TCNTn) is written to the *Input Capture Register* (ICRn). The *Input Capture Flag* (ICFn) is set at the same system clock as the TCNTn value is copied into ICRn Register. If enabled (ICIE<sub>n</sub> = 1), the Input Capture Flag generates an Input Capture interrupt. The ICFn Flag is automatically cleared when the interrupt is executed. Alternatively the ICFn Flag can be cleared by software by writing a logical one to its I/O bit location.

Reading the 16-bit value in the *Input Capture Register* (ICRn) is done by first reading the low byte (ICRnL) and then the high byte (ICRnH). When the low byte is read the high byte is copied into the high byte temporary register (TEMP). When the CPU reads the ICRnH I/O location it will access the TEMP Register.

The ICRn Register can only be written when using a Waveform Generation mode that utilizes the ICRn Register for defining the counter’s TOP value. In these cases the *Waveform Genera-*

*tion mode* (WGMn3:0) bits must be set before the TOP value can be written to the ICRn Register. When writing the ICRn Register the high byte must be written to the ICRnH I/O location before the low byte is written to ICRnL.

For more information on how to access the 16-bit registers refer to [“Accessing 16-bit Registers” on page 105](#).

### 15.5.1 Input Capture Trigger Source

The trigger sources for the Input Capture unit are the *Input Capture pin* (ICP1A & ICP1B).

Be aware that changing trigger source can trigger a capture. The Input Capture Flag must therefore be cleared after the change.

The *Input Capture pin* (ICPn) IS sampled using the same technique as for the Tn pin ([Figure 13-1 on page 82](#)). The edge detector is also identical. However, when the noise canceler is enabled, additional logic is inserted before the edge detector, which increases the delay by four system clock cycles. Note that the input of the noise canceler and edge detector is always enabled unless the Timer/Counter is set in a Waveform Generation mode that uses ICRn to define TOP.

An Input Capture can be triggered by software by controlling the port of the ICPn pin.

### 15.5.2 Noise Canceler

The noise canceler improves noise immunity by using a simple digital filtering scheme. The noise canceler input is monitored over four samples, and all four must be equal for changing the output that in turn is used by the edge detector.

The noise canceler is enabled by setting the *Input Capture Noise Canceler* (ICNCn) bit in *Timer/Counter Control Register B* (TCCRnB). When enabled the noise canceler introduces additional four system clock cycles of delay from a change applied to the input, to the update of the ICRn Register. The noise canceler uses the system clock and is therefore not affected by the prescaler.

### 15.5.3 Using the Input Capture Unit

The main challenge when using the Input Capture unit is to assign enough processor capacity for handling the incoming events. The time between two events is critical. If the processor has not read the captured value in the ICRn Register before the next event occurs, the ICRn will be overwritten with a new value. In this case the result of the capture will be incorrect.

When using the Input Capture interrupt, the ICRn Register should be read as early in the interrupt handler routine as possible. Even though the Input Capture interrupt has relatively high priority, the maximum interrupt response time is dependent on the maximum number of clock cycles it takes to handle any of the other interrupt requests.

Using the Input Capture unit in any mode of operation when the TOP value (resolution) is actively changed during operation, is not recommended.

Measurement of an external signal's duty cycle requires that the trigger edge is changed after each capture. Changing the edge sensing must be done as early as possible after the ICRn Register has been read. After a change of the edge, the Input Capture Flag (ICFn) must be cleared by software (writing a logical one to the I/O bit location). For measuring frequency only, the clearing of the ICFn Flag is not required (if an interrupt handler is used).

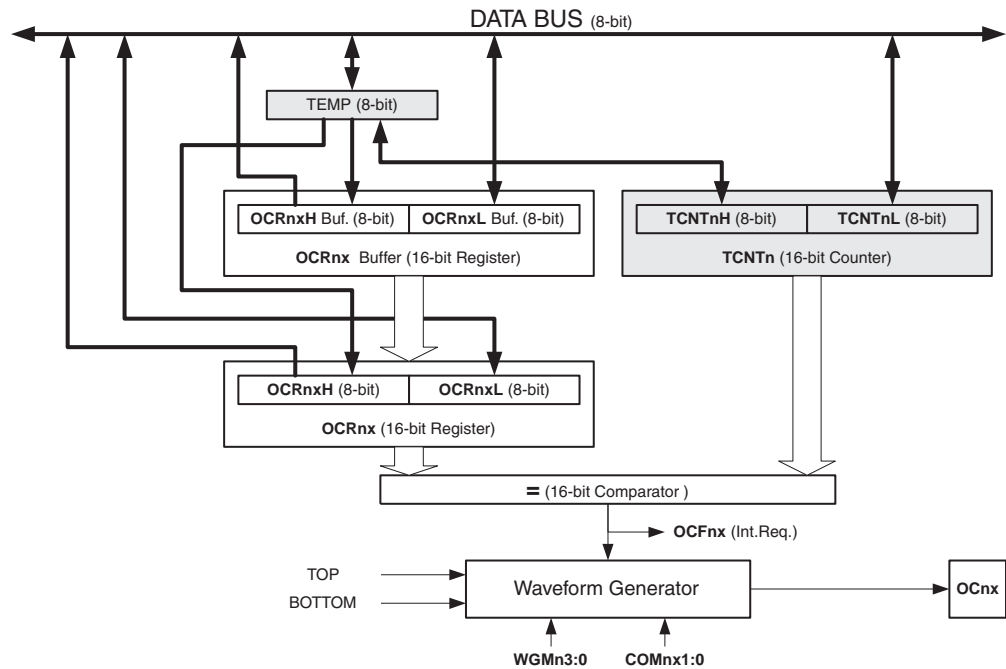
## 15.6 Output Compare Units

The 16-bit comparator continuously compares TCNTn with the *Output Compare Register* (OCRnx). If TCNT equals OCRnx the comparator signals a match. A match will set the *Output Compare Flag* (OCFnx) at the next “timer clock cycle”. If enabled (OCIEnx = 1), the Output Compare Flag generates an Output Compare interrupt. The OCFnx Flag is automatically cleared when the interrupt is executed. Alternatively the OCFnx Flag can be cleared by software by writing a logical one to its I/O bit location. The Waveform Generator uses the match signal to generate an output according to operating mode set by the *Waveform Generation mode* (WGMn3:0) bits and *Compare Output mode* (COMnx1:0) bits. The TOP and BOTTOM signals are used by the Waveform Generator for handling the special cases of the extreme values in some modes of operation (See “16-bit Timer/Counter1 with PWM” on page 103.)

A special feature of Output Compare unit A allows it to define the Timer/Counter TOP value (i.e., counter resolution). In addition to the counter resolution, the TOP value defines the period time for waveforms generated by the Waveform Generator.

Figure 15-4 shows a block diagram of the Output Compare unit. The small “n” in the register and bit names indicates the device number (n = n for Timer/Counter n), and the “x” indicates Output Compare unit (x). The elements of the block diagram that are not directly a part of the Output Compare unit are gray shaded.

**Figure 15-4.** Output Compare Unit, Block Diagram



The OCRnx Register is double buffered when using any of the twelve *Pulse Width Modulation* (PWM) modes. For the Normal and *Clear Timer on Compare* (CTC) modes of operation, the double buffering is disabled. The double buffering synchronizes the update of the OCRnx Compare Register to either TOP or BOTTOM of the counting sequence. The synchronization prevents the occurrence of odd-length, non-symmetrical PWM pulses, thereby making the output glitch-free.



The OCR<sub>n</sub> Register access may seem complex, but this is not case. When the double buffering is enabled, the CPU has access to the OCR<sub>n</sub> Buffer Register, and if double buffering is disabled the CPU will access the OCR<sub>n</sub> directly. The content of the OCR<sub>1x</sub> (Buffer or Compare) Register is only changed by a write operation (the Timer/Counter does not update this register automatically as the TCNT<sub>1</sub> and ICR<sub>1</sub> Register). Therefore OCR<sub>1x</sub> is not read via the high byte temporary register (TEMP). However, it is a good practice to read the low byte first as when accessing other 16-bit registers. Writing the OCR<sub>n</sub> Registers must be done via the TEMP Register since the compare of all 16 bits is done continuously. The high byte (OCR<sub>n</sub>H) has to be written first. When the high byte I/O location is written by the CPU, the TEMP Register will be updated by the value written. Then when the low byte (OCR<sub>n</sub>L) is written to the lower eight bits, the high byte will be copied into the upper 8-bits of either the OCR<sub>n</sub> buffer or OCR<sub>n</sub> Compare Register in the same system clock cycle.

For more information of how to access the 16-bit registers refer to [“Accessing 16-bit Registers” on page 105](#).

### 15.6.1 Force Output Compare

In non-PWM Waveform Generation modes, the match output of the comparator can be forced by writing a one to the *Force Output Compare* (FOC<sub>n</sub>) bit. Forcing compare match will not set the OCF<sub>n</sub> Flag or reload/clear the timer, but the OC<sub>n</sub> pin will be updated as if a real compare match had occurred (the COM<sub>n</sub>1:0 bits settings define whether the OC<sub>n</sub> pin is set, cleared or toggled).

### 15.6.2 Compare Match Blocking by TCNT<sub>n</sub> Write

All CPU writes to the TCNT<sub>n</sub> Register will block any compare match that occurs in the next timer clock cycle, even when the timer is stopped. This feature allows OCR<sub>n</sub> to be initialized to the same value as TCNT<sub>n</sub> without triggering an interrupt when the Timer/Counter clock is enabled.

### 15.6.3 Using the Output Compare Unit

Since writing TCNT<sub>n</sub> in any mode of operation will block all compare matches for one timer clock cycle, there are risks involved when changing TCNT<sub>n</sub> when using any of the Output Compare channels, independent of whether the Timer/Counter is running or not. If the value written to TCNT<sub>n</sub> equals the OCR<sub>n</sub> value, the compare match will be missed, resulting in incorrect waveform generation. Do not write the TCNT<sub>n</sub> equal to TOP in PWM modes with variable TOP values. The compare match for the TOP will be ignored and the counter will continue to 0xFFFF. Similarly, do not write the TCNT<sub>n</sub> value equal to BOTTOM when the counter is downcounting.

The setup of the OC<sub>n</sub> should be performed before setting the Data Direction Register for the port pin to output. The easiest way of setting the OC<sub>n</sub> value is to use the Force Output Compare (FOC<sub>n</sub>) strobe bits in Normal mode. The OC<sub>n</sub> Register keeps its value even when changing between Waveform Generation modes.

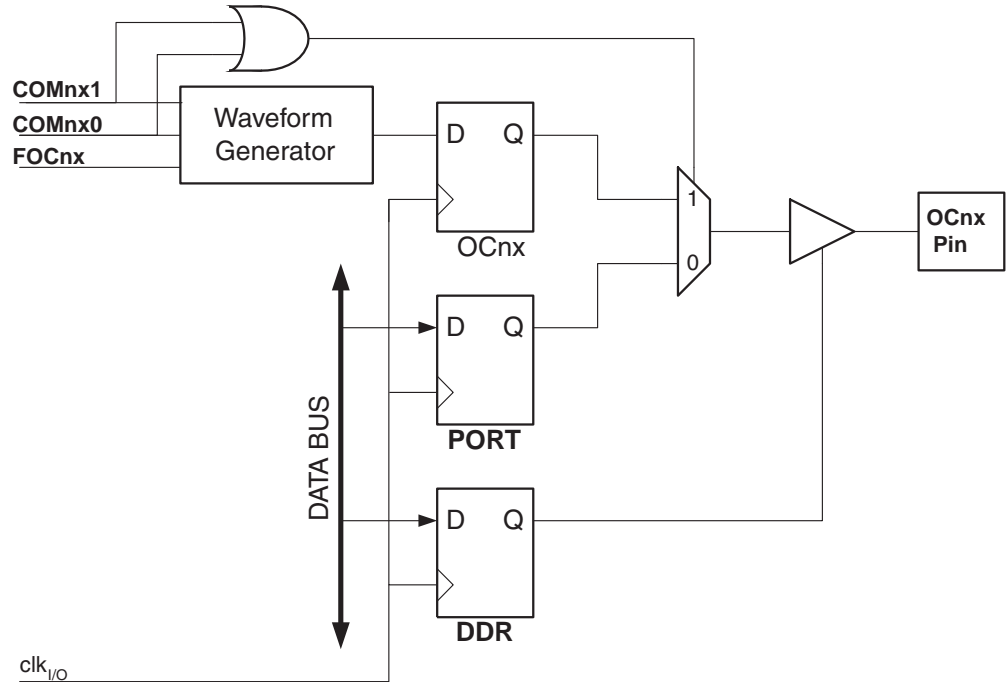
Be aware that the COM<sub>n</sub>1:0 bits are not double buffered together with the compare value. Changing the COM<sub>n</sub>1:0 bits will take effect immediately.

## 15.7 Compare Match Output Unit

The *Compare Output mode* (COM<sub>n</sub>1:0) bits have two functions. The Waveform Generator uses the COM<sub>n</sub>1:0 bits for defining the Output Compare (OC<sub>n</sub>) state at the next compare match. Secondly the COM<sub>n</sub>1:0 bits control the OC<sub>n</sub> pin output source. [Figure 15-5](#) shows a simplified schematic of the logic affected by the COM<sub>n</sub>1:0 bit setting. The I/O Registers, I/O bits, and I/O pins in the figure are shown in bold. Only the parts of the general I/O Port Control Registers

(DDR and PORT) that are affected by the COMnx1:0 bits are shown. When referring to the OCnx state, the reference is for the internal OCnx Register, not the OCnx pin. If a system reset occur, the OCnx Register is reset to “0”.

**Figure 15-5.** Compare Match Output Unit, Schematic



The general I/O port function is overridden by the Output Compare (OCnx) from the Waveform Generator if either of the COMnx1:0 bits are set. However, the OCnx pin direction (input or output) is still controlled by the *Data Direction Register* (DDR) for the port pin. The Data Direction Register bit for the OCnx pin (DDR\_OCnx) must be set as output before the OCnx value is visible on the pin. The port override function is generally independent of the Waveform Generation mode, but there are some exceptions. Refer to [Table 15-2](#), [Table 15-3](#) and [Table 15-4](#) for details.

The design of the Output Compare pin logic allows initialization of the OCnx state before the output is enabled. Note that some COMnx1:0 bit settings are reserved for certain modes of operation. See “[16-bit Timer/Counter Register Description](#)” on page 124.

The COMnx1:0 bits have no effect on the Input Capture unit.

### 15.7.1 Compare Output Mode and Waveform Generation

The Waveform Generator uses the COMnx1:0 bits differently in normal, CTC, and PWM modes. For all modes, setting the COMnx1:0 = 0 tells the Waveform Generator that no action on the OCnx Register is to be performed on the next compare match. For compare output actions in the non-PWM modes refer to [Table 15-2 on page 124](#). For fast PWM mode refer to [Table 15-3 on page 125](#), and for phase correct and phase and frequency correct PWM refer to [Table 15-4 on page 125](#).

A change of the COMnx1:0 bits state will have effect at the first compare match after the bits are written. For non-PWM modes, the action can be forced to have immediate effect by using the FOCnx strobe bits.

## 15.8 Modes of Operation

The mode of operation, i.e., the behavior of the Timer/Counter and the Output Compare pins, is defined by the combination of the *Waveform Generation mode* (WGMn3:0) and *Compare Output mode* (COMnx1:0) bits. The Compare Output mode bits do not affect the counting sequence, while the Waveform Generation mode bits do. The COMnx1:0 bits control whether the PWM output generated should be inverted or not (inverted or non-inverted PWM). For non-PWM modes the COMnx1:0 bits control whether the output should be set, cleared or toggle at a compare match (See “Compare Match Output Unit” on page 113.)

For detailed timing information refer to “Timer/Counter Timing Diagrams” on page 122.

### 15.8.1 Normal Mode

The simplest mode of operation is the *Normal mode* (WGMn3:0 = 0). In this mode the counting direction is always up (incrementing), and no counter clear is performed. The counter simply overruns when it passes its maximum 16-bit value (MAX = 0xFFFF) and then restarts from the BOTTOM (0x0000). In normal operation the *Timer/Counter Overflow Flag* (TOVn) will be set in the same timer clock cycle as the TCNTn becomes zero. The TOVn Flag in this case behaves like a 17th bit, except that it is only set, not cleared. However, combined with the timer overflow interrupt that automatically clears the TOVn Flag, the timer resolution can be increased by software. There are no special cases to consider in the Normal mode, a new counter value can be written anytime.

The Input Capture unit is easy to use in Normal mode. However, observe that the maximum interval between the external events must not exceed the resolution of the counter. If the interval between events are too long, the timer overflow interrupt or the prescaler must be used to extend the resolution for the capture unit.

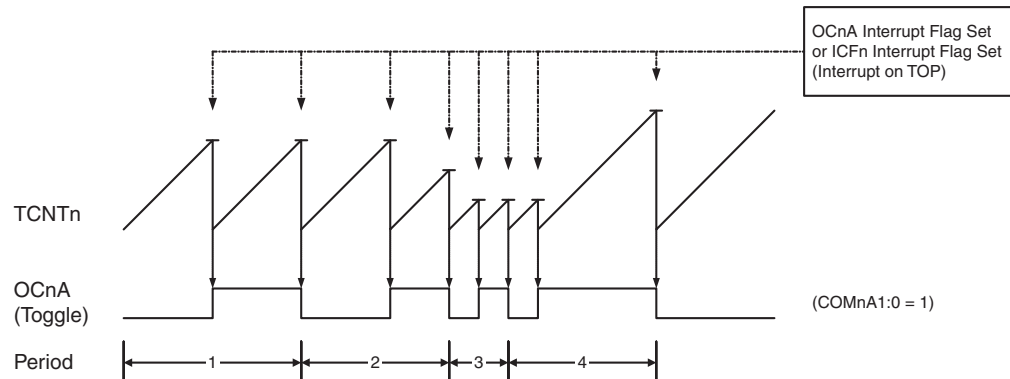
The Output Compare units can be used to generate interrupts at some given time. Using the Output Compare to generate waveforms in Normal mode is not recommended, since this will occupy too much of the CPU time.

### 15.8.2 Clear Timer on Compare Match (CTC) Mode

In *Clear Timer on Compare* or CTC mode (WGMn3:0 = 4 or 12), the OCRnA or ICRn Register are used to manipulate the counter resolution. In CTC mode the counter is cleared to zero when the counter value (TCNTn) matches either the OCRnA (WGMn3:0 = 4) or the ICRn (WGMn3:0 = 12). The OCRnA or ICRn define the top value for the counter, hence also its resolution. This mode allows greater control of the compare match output frequency. It also simplifies the operation of counting external events.

The timing diagram for the CTC mode is shown in [Figure 15-6](#). The counter value (TCNTn) increases until a compare match occurs with either OCRnA or ICRn, and then counter (TCNTn) is cleared.

**Figure 15-6.** CTC Mode, Timing Diagram



An interrupt can be generated at each time the counter value reaches the TOP value by either using the OCFnA or ICFn Flag according to the register used to define the TOP value. If the interrupt is enabled, the interrupt handler routine can be used for updating the TOP value. However, changing the TOP to a value close to BOTTOM when the counter is running with none or a low prescaler value must be done with care since the CTC mode does not have the double buffering feature. If the new value written to OCRnA or ICRn is lower than the current value of TCNTn, the counter will miss the compare match. The counter will then have to count to its maximum value (0xFFFF) and wrap around starting at 0x0000 before the compare match can occur. In many cases this feature is not desirable. An alternative will then be to use the fast PWM mode using OCRnA for defining TOP (WGMn3:0 = 15) since the OCRnA then will be double buffered.

For generating a waveform output in CTC mode, the OCnA output can be set to toggle its logical level on each compare match by setting the Compare Output mode bits to toggle mode (COMnA1:0 = 1). The OCnA value will not be visible on the port pin unless the data direction for the pin is set to output (DDR\_OCnA = 1). The waveform generated will have a maximum frequency of  $f_{OCnA} = f_{clk\_I/O}/2$  when OCRnA is set to zero (0x0000). The waveform frequency is defined by the following equation:

$$f_{OCnA} = \frac{f_{clk\_I/O}}{2 \cdot N \cdot (1 + OCRnA)}$$

The  $N$  variable represents the prescaler factor (1, 8, 64, 256, or 1024).

As for the Normal mode of operation, the TOVn Flag is set in the same timer clock cycle that the counter counts from MAX to 0x0000.

### 15.8.3 Fast PWM Mode

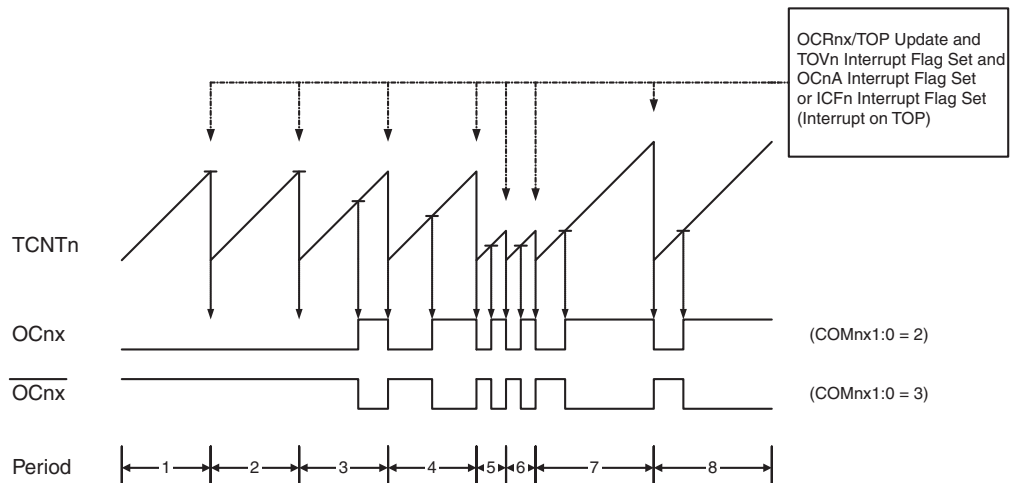
The *fast Pulse Width Modulation* or fast PWM mode (WGMn3:0 = 5, 6, 7, 14, or 15) provides a high frequency PWM waveform generation option. The fast PWM differs from the other PWM options by its single-slope operation. The counter counts from BOTTOM to TOP then restarts from BOTTOM. In non-inverting Compare Output mode, the Output Compare (OCnx) is set on the compare match between TCNTn and OCRnx, and cleared at TOP. In inverting Compare Output mode output is cleared on compare match and set at TOP. Due to the single-slope operation, the operating frequency of the fast PWM mode can be twice as high as the phase correct and phase and frequency correct PWM modes that use dual-slope operation. This high frequency makes the fast PWM mode well suited for power regulation, rectification, and DAC applications. High frequency allows physically small sized external components (coils, capacitors), hence reduces total system cost.

The PWM resolution for fast PWM can be fixed to 8-, 9-, or 10-bit, or defined by either ICRn or OCRnA. The minimum resolution allowed is 2-bit (ICRn or OCRnA set to 0x0003), and the maximum resolution is 16-bit (ICRn or OCRnA set to MAX). The PWM resolution in bits can be calculated by using the following equation:

$$R_{FPWM} = \frac{\log(TOP + 1)}{\log(2)}$$

In fast PWM mode the counter is incremented until the counter value matches either one of the fixed values 0x00FF, 0x01FF, or 0x03FF (WGMn3:0 = 5, 6, or 7), the value in ICRn (WGMn3:0 = 14), or the value in OCRnA (WGMn3:0 = 15). The counter is then cleared at the following timer clock cycle. The timing diagram for the fast PWM mode is shown in Figure 15-7. The figure shows fast PWM mode when OCRnA or ICRn is used to define TOP. The TCNTn value is in the timing diagram shown as a histogram for illustrating the single-slope operation. The diagram includes non-inverted and inverted PWM outputs. The small horizontal line marks on the TCNTn slopes represent compare matches between OCRnx and TCNTn. The OCnx Interrupt Flag will be set when a compare match occurs.

**Figure 15-7.** Fast PWM Mode, Timing Diagram



The Timer/Counter Overflow Flag (TOVn) is set each time the counter reaches TOP. In addition the OCnA or ICFn Flag is set at the same timer clock cycle as TOVn is set when either OCRnA or ICRn is used for defining the TOP value. If one of the interrupts are enabled, the interrupt handler routine can be used for updating the TOP and compare values.

When changing the TOP value the program must ensure that the new TOP value is higher or equal to the value of all of the Compare Registers. If the TOP value is lower than any of the Compare Registers, a compare match will never occur between the TCNTn and the OCRnx. Note that when using fixed TOP values the unused bits are masked to zero when any of the OCRnx Registers are written.

The procedure for updating ICRn differs from updating OCRnA when used for defining the TOP value. The ICRn Register is not double buffered. This means that if ICRn is changed to a low value when the counter is running with none or a low prescaler value, there is a risk that the new ICRn value written is lower than the current value of TCNTn. The result will then be that the counter will miss the compare match at the TOP value. The counter will then have to count to the MAX value (0xFFFF) and wrap around starting at 0x0000 before the compare match can occur. The OCRnA Register however, is double buffered. This feature allows the OCRnA I/O location

to be written anytime. When the OCRnA I/O location is written the value written will be put into the OCRnA Buffer Register. The OCRnA Compare Register will then be updated with the value in the Buffer Register at the next timer clock cycle the TCNTn matches TOP. The update is done at the same timer clock cycle as the TCNTn is cleared and the TOVn Flag is set.

Using the ICRn Register for defining TOP works well when using fixed TOP values. By using ICRn, the OCRnA Register is free to be used for generating a PWM output on OCnA. However, if the base PWM frequency is actively changed (by changing the TOP value), using the OCRnA as TOP is clearly a better choice due to its double buffer feature.

In fast PWM mode, the compare units allow generation of PWM waveforms on the OCnx pins. Setting the COMnx1:0 bits to two will produce a non-inverted PWM and an inverted PWM output can be generated by setting the COMnx1:0 to three (see [Table on page 125](#)). The actual OCnx value will only be visible on the port pin if the data direction for the port pin is set as output (DDR\_OCnx). The PWM waveform is generated by setting (or clearing) the OCnx Register at the compare match between OCRnx and TCNTn, and clearing (or setting) the OCnx Register at the timer clock cycle the counter is cleared (changes from TOP to BOTTOM).

The PWM frequency for the output can be calculated by the following equation:

$$f_{OCnxPWM} = \frac{f_{clk\_I/O}}{N \cdot (1 + TOP)}$$

The N variable represents the prescaler divider (1, 8, 64, 256, or 1024).

The extreme values for the OCRnx Register represents special cases when generating a PWM waveform output in the fast PWM mode. If the OCRnx is set equal to BOTTOM (0x0000) the output will be a narrow spike for each TOP+1 timer clock cycle. Setting the OCRnx equal to TOP will result in a constant high or low output (depending on the polarity of the output set by the COMnx1:0 bits.)

A frequency (with 50% duty cycle) waveform output in fast PWM mode can be achieved by setting OCnA to toggle its logical level on each compare match (COMnA1:0 = 1). This applies only if OCR1A is used to define the TOP value (WGM13:0 = 15). The waveform generated will have a maximum frequency of  $f_{OCnA} = f_{clk\_I/O}/2$  when OCRnA is set to zero (0x0000). This feature is similar to the OCnA toggle in CTC mode, except the double buffer feature of the Output Compare unit is enabled in the fast PWM mode.

#### 15.8.4 Phase Correct PWM Mode

The *phase correct Pulse Width Modulation* or phase correct PWM mode (WGMn3:0 = 1, 2, 3, 10, or 11) provides a high resolution phase correct PWM waveform generation option. The phase correct PWM mode is, like the phase and frequency correct PWM mode, based on a dual-slope operation. The counter counts repeatedly from BOTTOM (0x0000) to TOP and then from TOP to BOTTOM. In non-inverting Compare Output mode, the Output Compare (OCnx) is cleared on the compare match between TCNTn and OCRnx while upcounting, and set on the compare match while downcounting. In inverting Output Compare mode, the operation is inverted. The dual-slope operation has lower maximum operation frequency than single slope operation. However, due to the symmetric feature of the dual-slope PWM modes, these modes are preferred for motor control applications.

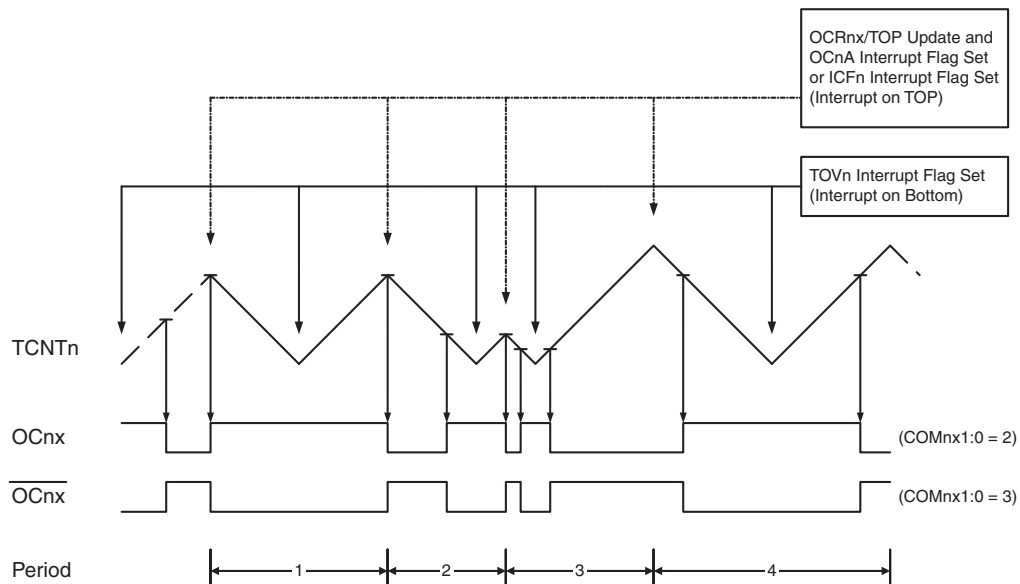
The PWM resolution for the phase correct PWM mode can be fixed to 8-, 9-, or 10-bit, or defined by either ICRn or OCRnA. The minimum resolution allowed is 2-bit (ICRn or OCRnA set to

0x0003), and the maximum resolution is 16-bit (ICRn or OCRnA set to MAX). The PWM resolution in bits can be calculated by using the following equation:

$$R_{PCPWM} = \frac{\log(TOP + 1)}{\log(2)}$$

In phase correct PWM mode the counter is incremented until the counter value matches either one of the fixed values 0x00FF, 0x01FF, or 0x03FF (WGMn3:0 = 1, 2, or 3), the value in ICRn (WGMn3:0 = 10), or the value in OCRnA (WGMn3:0 = 11). The counter has then reached the TOP and changes the count direction. The TCNTn value will be equal to TOP for one timer clock cycle. The timing diagram for the phase correct PWM mode is shown on [Figure 15-8](#). The figure shows phase correct PWM mode when OCRnA or ICRn is used to define TOP. The TCNTn value is in the timing diagram shown as a histogram for illustrating the dual-slope operation. The diagram includes non-inverted and inverted PWM outputs. The small horizontal line marks on the TCNTn slopes represent compare matches between OCRnx and TCNTn. The OCnx Interrupt Flag will be set when a compare match occurs.

**Figure 15-8.** Phase Correct PWM Mode, Timing Diagram



The Timer/Counter Overflow Flag (TOVn) is set each time the counter reaches BOTTOM. When either OCRnA or ICRn is used for defining the TOP value, the OCnA or ICFn Flag is set accordingly at the same timer clock cycle as the OCRnx Registers are updated with the double buffer value (at TOP). The Interrupt Flags can be used to generate an interrupt each time the counter reaches the TOP or BOTTOM value.

When changing the TOP value the program must ensure that the new TOP value is higher or equal to the value of all of the Compare Registers. If the TOP value is lower than any of the Compare Registers, a compare match will never occur between the TCNTn and the OCRnx. Note that when using fixed TOP values, the unused bits are masked to zero when any of the OCRnx Registers are written. As the third period shown in [Figure 15-8](#) illustrates, changing the TOP actively while the Timer/Counter is running in the phase correct mode can result in an unsymmetrical output. The reason for this can be found in the time of update of the OCRnx Register. Since the OCRnx update occurs at TOP, the PWM period starts and ends at TOP. This

implies that the length of the falling slope is determined by the previous TOP value, while the length of the rising slope is determined by the new TOP value. When these two values differ the two slopes of the period will differ in length. The difference in length gives the unsymmetrical result on the output.

It is recommended to use the phase and frequency correct mode instead of the phase correct mode when changing the TOP value while the Timer/Counter is running. When using a static TOP value there are practically no differences between the two modes of operation.

In phase correct PWM mode, the compare units allow generation of PWM waveforms on the OCnx pins. Setting the COMnx1:0 bits to two will produce a non-inverted PWM and an inverted PWM output can be generated by setting the COMnx1:0 to three (See [Table on page 125](#)). The actual OCnx value will only be visible on the port pin if the data direction for the port pin is set as output (DDR\_OCnx). The PWM waveform is generated by setting (or clearing) the OCnx Register at the compare match between OCRnx and TCNTn when the counter increments, and clearing (or setting) the OCnx Register at compare match between OCRnx and TCNTn when the counter decrements. The PWM frequency for the output when using phase correct PWM can be calculated by the following equation:

$$f_{OCnxPCPWM} = \frac{f_{clk\_I/O}}{2 \cdot N \cdot TOP}$$

The N variable represents the prescaler divider (1, 8, 64, 256, or 1024).

The extreme values for the OCRnx Register represent special cases when generating a PWM waveform output in the phase correct PWM mode. If the OCRnx is set equal to BOTTOM the output will be continuously low and if set equal to TOP the output will be continuously high for non-inverted PWM mode. For inverted PWM the output will have the opposite logic values. If OCR1A is used to define the TOP value (WGM13:0 = 11) and COM1A1:0 = 1, the OC1A output will toggle with a 50% duty cycle.

### 15.8.5 Phase and Frequency Correct PWM Mode

The *phase and frequency correct Pulse Width Modulation*, or phase and frequency correct PWM mode (WGMn3:0 = 8 or 9) provides a high resolution phase and frequency correct PWM waveform generation option. The phase and frequency correct PWM mode is, like the phase correct PWM mode, based on a dual-slope operation. The counter counts repeatedly from BOTTOM (0x0000) to TOP and then from TOP to BOTTOM. In non-inverting Compare Output mode, the Output Compare (OCnx) is cleared on the compare match between TCNTn and OCRnx while upcounting, and set on the compare match while downcounting. In inverting Compare Output mode, the operation is inverted. The dual-slope operation gives a lower maximum operation frequency compared to the single-slope operation. However, due to the symmetric feature of the dual-slope PWM modes, these modes are preferred for motor control applications.

The main difference between the phase correct, and the phase and frequency correct PWM mode is the time the OCRnx Register is updated by the OCRnx Buffer Register, (see [Figure 15-8](#) and [Figure 15-9](#)).

The PWM resolution for the phase and frequency correct PWM mode can be defined by either ICRn or OCRnA. The minimum resolution allowed is 2-bit (ICRn or OCRnA set to 0x0003), and

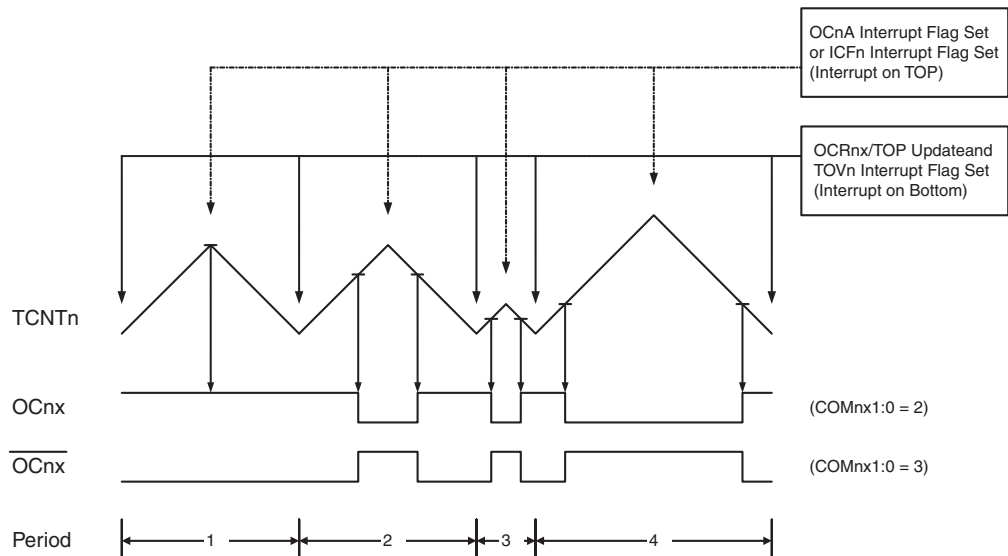


the maximum resolution is 16-bit (ICRn or OCRnA set to MAX). The PWM resolution in bits can be calculated using the following equation:

$$R_{PFCPWM} = \frac{\log(TOP + 1)}{\log(2)}$$

In phase and frequency correct PWM mode the counter is incremented until the counter value matches either the value in ICRn (WGMn3:0 = 8), or the value in OCRnA (WGMn3:0 = 9). The counter has then reached the TOP and changes the count direction. The TCNTn value will be equal to TOP for one timer clock cycle. The timing diagram for the phase correct and frequency correct PWM mode is shown on [Figure 15-9](#). The figure shows phase and frequency correct PWM mode when OCRnA or ICRn is used to define TOP. The TCNTn value is in the timing diagram shown as a histogram for illustrating the dual-slope operation. The diagram includes non-inverted and inverted PWM outputs. The small horizontal line marks on the TCNTn slopes represent compare matches between OCRnx and TCNTn. The OCnx Interrupt Flag will be set when a compare match occurs.

**Figure 15-9.** Phase and Frequency Correct PWM Mode, Timing Diagram



The Timer/Counter Overflow Flag (TOVn) is set at the same timer clock cycle as the OCRnx Registers are updated with the double buffer value (at BOTTOM). When either OCRnA or ICRn is used for defining the TOP value, the OCnA or ICFn Flag set when TCNTn has reached TOP. The Interrupt Flags can then be used to generate an interrupt each time the counter reaches the TOP or BOTTOM value.

When changing the TOP value the program must ensure that the new TOP value is higher or equal to the value of all of the Compare Registers. If the TOP value is lower than any of the Compare Registers, a compare match will never occur between the TCNTn and the OCRnx.

As [Figure 15-9](#) shows the output generated is, in contrast to the phase correct mode, symmetrical in all periods. Since the OCRnx Registers are updated at BOTTOM, the length of the rising and the falling slopes will always be equal. This gives symmetrical output pulses and is therefore frequency correct.

Using the ICRn Register for defining TOP works well when using fixed TOP values. By using ICRn, the OCRnA Register is free to be used for generating a PWM output on OCnA. However, if the base PWM frequency is actively changed by changing the TOP value, using the OCRnA as TOP is clearly a better choice due to its double buffer feature.

In phase and frequency correct PWM mode, the compare units allow generation of PWM waveforms on the OCnx pins. Setting the COMnx1:0 bits to two will produce a non-inverted PWM and an inverted PWM output can be generated by setting the COMnx1:0 to three (See [Table on page 125](#)). The actual OCnx value will only be visible on the port pin if the data direction for the port pin is set as output (DDR\_OCnx). The PWM waveform is generated by setting (or clearing) the OCnx Register at the compare match between OCRnx and TCNTn when the counter increments, and clearing (or setting) the OCnx Register at compare match between OCRnx and TCNTn when the counter decrements. The PWM frequency for the output when using phase and frequency correct PWM can be calculated by the following equation:

$$f_{OCnxPFCPWM} = \frac{f_{clk\_I/O}}{2 \cdot N \cdot TOP}$$

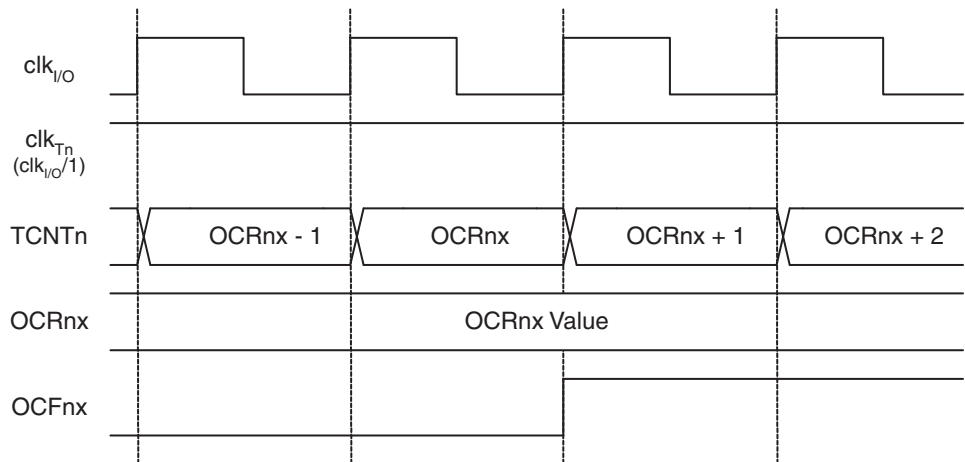
The N variable represents the prescaler divider (1, 8, 64, 256, or 1024).

The extreme values for the OCRnx Register represents special cases when generating a PWM waveform output in the phase correct PWM mode. If the OCRnx is set equal to BOTTOM the output will be continuously low and if set equal to TOP the output will be set to high for non-inverted PWM mode. For inverted PWM the output will have the opposite logic values. If OCR1A is used to define the TOP value (WGM13:0 = 9) and COM1A1:0 = 1, the OC1A output will toggle with a 50% duty cycle.

## 15.9 Timer/Counter Timing Diagrams

The Timer/Counter is a synchronous design and the timer clock ( $clk_{Tn}$ ) is therefore shown as a clock enable signal in the following figures. The figures include information on when Interrupt Flags are set, and when the OCRnx Register is updated with the OCRnx buffer value (only for modes utilizing double buffering). [Figure 15-10](#) shows a timing diagram for the setting of OCFnx.

**Figure 15-10.** Timer/Counter Timing Diagram, Setting of OCFnx, no Prescaling



[Figure 15-11](#) shows the same timing data, but with the prescaler enabled.

**Figure 15-11.** Timer/Counter Timing Diagram, Setting of OCFnx, with Prescaler ( $f_{clk\_I/O}/8$ )

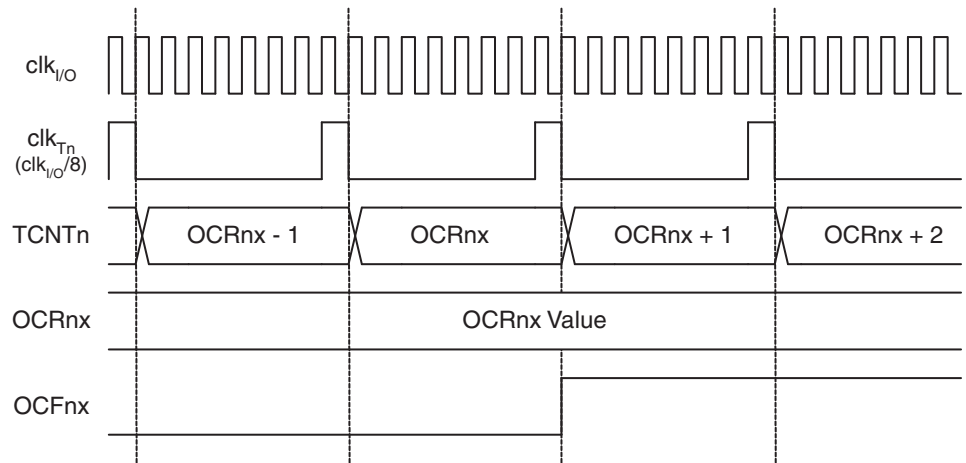


Figure 15-12 shows the count sequence close to TOP in various modes. When using phase and frequency correct PWM mode the  $OCRnx$  Register is updated at BOTTOM. The timing diagrams will be the same, but TOP should be replaced by BOTTOM, TOP-1 by BOTTOM+1 and so on. The same renaming applies for modes that set the  $TOVn$  Flag at BOTTOM.

**Figure 15-12.** Timer/Counter Timing Diagram, no Prescaling

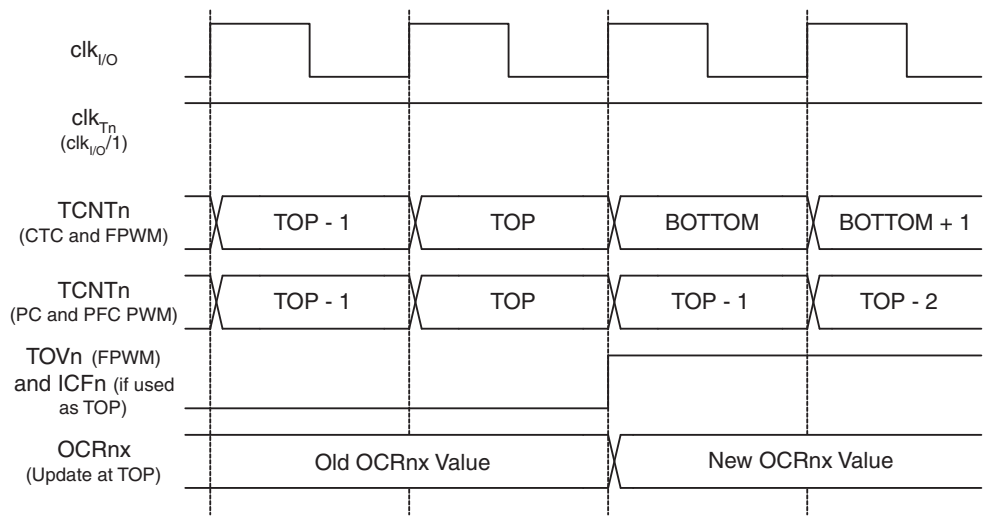
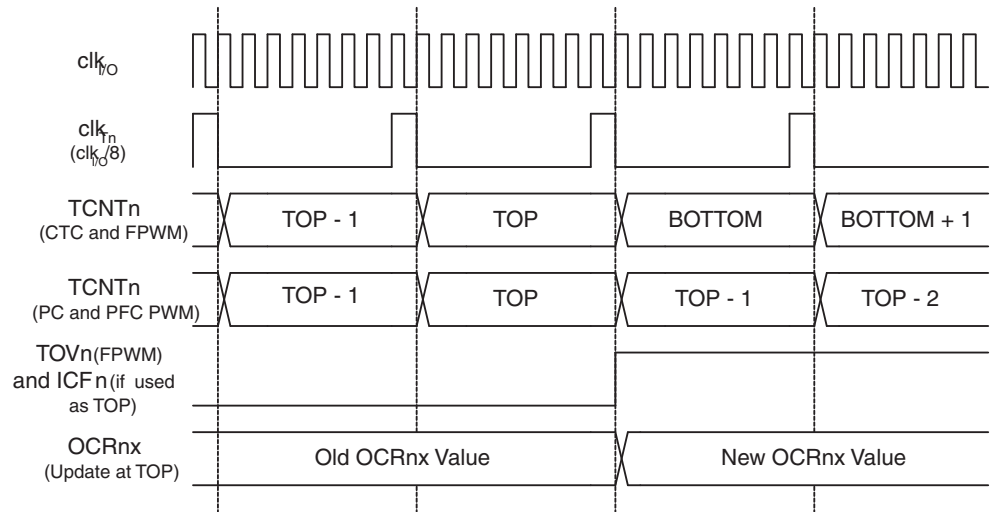


Figure 15-13 shows the same timing data, but with the prescaler enabled.

**Figure 15-13. Timer/Counter Timing Diagram, with Prescaler ( $f_{clk\_I/O}/8$ )**



## 15.10 16-bit Timer/Counter Register Description

### 15.10.1 Timer/Counter1 Control Register A – TCCR1A

Bit	7	6	5	4	3	2	1	0	
	COM1A1	COM1A0	COM1B1	COM1B0	–	–	WGM11	WGM10	TCCR1A
Read/Write	R/W	R/W	R/W	R/W	R	R	R/W	R/W	
Initial Value	0	0	0	0	0	0	0	0	

- **Bit 7:6 – COMnA1:0: Compare Output Mode for Channel A**
- **Bit 5:4 – COMnB1:0: Compare Output Mode for Channel B**

The COMnA1:0 and COMnB1:0 control the Output Compare pins (OCnA and OCnB respectively) behavior. If one or both of the COMnA1:0 bits are written to one, the OCnA output overrides the normal port functionality of the I/O pin it is connected to. If one or both of the COMnB1:0 bit are written to one, the OCnB output overrides the normal port functionality of the I/O pin it is connected to. However, note that the *Data Direction Register (DDR)* bit corresponding to the OCnA or OCnB pin must be set in order to enable the output driver.

When the OCnA or OCnB is connected to the pin, the function of the COMnx1:0 bits is dependent of the WGMn3:0 bits setting. Table 15-2 shows the COMnx1:0 bit functionality when the WGMn3:0 bits are set to a Normal or a CTC mode (non-PWM).

**Table 15-2. Compare Output Mode, non-PWM**

COMnA1/COMnB1	COMnA0/COMnB0	Description
0	0	Normal port operation, OCnA/OCnB disconnected.
0	1	Toggle OCnA/OCnB on Compare Match.
1	0	Clear OCnA/OCnB on Compare Match (Set output to low level).
1	1	Set OCnA/OCnB on Compare Match (Set output to high level).

Table 15-3 shows the COMnx1:0 bit functionality when the WGMn3:0 bits are set to the fast PWM mode.

**Table 15-3.** Compare Output Mode, Fast PWM<sup>(1)</sup>

COMnA1/COMnB1	COMnA0/COMnB0	Description
0	0	Normal port operation, OCnA/OCnB disconnected.
0	1	WGMn3:0 = 14 or 15: Toggle OC1A on Compare Match, OC1B disconnected (normal port operation). For all other WGM1 settings, normal port operation, OC1A/OC1B disconnected.
1	0	Clear OCnA/OCnB on Compare Match, set OCnA/OCnB at TOP
1	1	Set OCnA/OCnB on Compare Match, clear OCnA/OCnB at TOP

Note: 1. A special case occurs when OCRnA/OCRnB equals TOP and COMnA1/COMnB1 is set. In this case the compare match is ignored, but the set or clear is done at TOP. See “Fast PWM Mode” on page 116. for more details.

Table 15-4 shows the COMnx1:0 bit functionality when the WGMn3:0 bits are set to the phase correct or the phase and frequency correct, PWM mode.

**Table 15-4.** Compare Output Mode, Phase Correct and Phase and Frequency Correct PWM<sup>(1)</sup>

COMnA1/COMnB1	COMnA0/COMnB0	Description
0	0	Normal port operation, OCnA/OCnB disconnected.
0	1	WGMn3:0 = 8, 9 10 or 11: Toggle OCnA on Compare Match, OCnB disconnected (normal port operation). For all other WGM1 settings, normal port operation, OC1A/OC1B disconnected.
1	0	Clear OCnA/OCnB on Compare Match when up-counting. Set OCnA/OCnB on Compare Match when downcounting.
1	1	Set OCnA/OCnB on Compare Match when up-counting. Clear OCnA/OCnB on Compare Match when downcounting.

Note: 1. A special case occurs when OCRnA/OCRnB equals TOP and COMnA1/COMnB1 is set. See “Phase Correct PWM Mode” on page 118. for more details.

• **Bit 1:0 – WGMn1:0: Waveform Generation Mode**

Combined with the WGMn3:2 bits found in the TCCRnB Register, these bits control the counting sequence of the counter, the source for maximum (TOP) counter value, and what type of waveform generation to be used, see Table 15-5. Modes of operation supported by the Timer/Counter unit are: Normal mode (counter), Clear Timer on Compare match (CTC) mode, and three types of Pulse Width Modulation (PWM) modes. (See “16-bit Timer/Counter1 with PWM” on page 103.).

**Table 15-5.** Waveform Generation Mode Bit Description<sup>(1)</sup>

Mode	WGMn3	WGMn2 (CTCn)	WGMn1 (PWMn1)	WGMn0 (PWMn0)	Timer/Counter Mode of Operation	TOP	Update of OCRnx at	TOVn Flag Set on
0	0	0	0	0	Normal	0xFFFF	Immediate	MAX
1	0	0	0	1	PWM, Phase Correct, 8-bit	0x00FF	TOP	BOTTOM
2	0	0	1	0	PWM, Phase Correct, 9-bit	0x01FF	TOP	BOTTOM
3	0	0	1	1	PWM, Phase Correct, 10-bit	0x03FF	TOP	BOTTOM
4	0	1	0	0	CTC	OCRnA	Immediate	MAX
5	0	1	0	1	Fast PWM, 8-bit	0x00FF	TOP	TOP
6	0	1	1	0	Fast PWM, 9-bit	0x01FF	TOP	TOP
7	0	1	1	1	Fast PWM, 10-bit	0x03FF	TOP	TOP
8	1	0	0	0	PWM, Phase and Frequency Correct	ICRn	BOTTOM	BOTTOM
9	1	0	0	1	PWM, Phase and Frequency Correct	OCRnA	BOTTOM	BOTTOM
10	1	0	1	0	PWM, Phase Correct	ICRn	TOP	BOTTOM
11	1	0	1	1	PWM, Phase Correct	OCRnA	TOP	BOTTOM
12	1	1	0	0	CTC	ICRn	Immediate	MAX
13	1	1	0	1	(Reserved)	–	–	–
14	1	1	1	0	Fast PWM	ICRn	TOP	TOP
15	1	1	1	1	Fast PWM	OCRnA	TOP	TOP

Note: 1. The CTCn and PWMn1:0 bit definition names are obsolete. Use the WGMn2:0 definitions. However, the functionality and location of these bits are compatible with previous versions of the timer.

### 15.10.2 Timer/Counter1 Control Register B – TCCR1B

Bit	7	6	5	4	3	2	1	0	
	ICNC1	ICES1	–	WGM13	WGM12	CS12	CS11	CS10	TCCR1B
Read/Write	R/W	R/W	R	R/W	R/W	R/W	R/W	R/W	
Initial Value	0	0	0	0	0	0	0	0	

- **Bit 7 – ICNCn: Input Capture Noise Canceler**

Setting this bit (to one) activates the Input Capture Noise Canceler. When the noise canceler is activated, the input from the Input Capture pin (ICPn) is filtered. The filter function requires four successive equal valued samples of the ICPn pin for changing its output. The Input Capture is therefore delayed by four Oscillator cycles when the noise canceler is enabled.

- **Bit 6 – ICESn: Input Capture Edge Select**

This bit selects which edge on the Input Capture pin (ICPn) that is used to trigger a capture event. When the ICESn bit is written to zero, a falling (negative) edge is used as trigger, and when the ICESn bit is written to one, a rising (positive) edge will trigger the capture.

When a capture is triggered according to the ICESn setting, the counter value is copied into the Input Capture Register (ICRn). The event will also set the Input Capture Flag (ICFn), and this can be used to cause an Input Capture Interrupt, if this interrupt is enabled.

When the ICR<sub>n</sub> is used as TOP value (see description of the WGM<sub>n</sub>3:0 bits located in the TCCR<sub>n</sub>A and the TCCR<sub>n</sub>B Register), the ICP<sub>n</sub> is disconnected and consequently the Input Capture function is disabled.

- **Bit 5 – Reserved Bit**

This bit is reserved for future use. For ensuring compatibility with future devices, this bit must be written to zero when TCCR<sub>n</sub>B is written.

- **Bit 4:3 – WGM<sub>n</sub>3:2: Waveform Generation Mode**

See TCCR<sub>n</sub>A Register description.

- **Bit 2:0 – CS<sub>n</sub>2:0: Clock Select**

The three Clock Select bits select the clock source to be used by the Timer/Counter, see [Figure 15-10](#) and [Figure 15-11](#).

**Table 15-6.** Clock Select Bit Description

CS <sub>n</sub> 2	CS <sub>n</sub> 1	CS <sub>n</sub> 0	Description
0	0	0	No clock source (Timer/Counter stopped).
0	0	1	clk <sub>I/O</sub> /1 (No prescaling)
0	1	0	clk <sub>I/O</sub> /8 (From prescaler)
0	1	1	clk <sub>I/O</sub> /64 (From prescaler)
1	0	0	clk <sub>I/O</sub> /256 (From prescaler)
1	0	1	clk <sub>I/O</sub> /1024 (From prescaler)
1	1	0	External clock source on T <sub>n</sub> pin. Clock on falling edge.
1	1	1	External clock source on T <sub>n</sub> pin. Clock on rising edge.

If external pin modes are used for the Timer/Counter, transitions on the T<sub>n</sub> pin will clock the counter even if the pin is configured as an output. This feature allows software control of the counting.

### 15.10.3 Timer/Counter1 Control Register C – TCCR1C

Bit	7	6	5	4	3	2	1	0	
	<b>FOC1A</b>	<b>FOC1B</b>	–	–	–	–	–	–	<b>TCCR1C</b>
Read/Write	R/W	R/W	R	R	R	R	R	R	
Initial Value	0	0	0	0	0	0	0	0	

- **Bit 7 – FOC<sub>n</sub>A: Force Output Compare for Channel A**

- **Bit 6 – FOC<sub>n</sub>B: Force Output Compare for Channel B**

The FOC<sub>n</sub>A/FOC<sub>n</sub>B bits are only active when the WGM<sub>n</sub>3:0 bits specifies a non-PWM mode. However, for ensuring compatibility with future devices, these bits must be set to zero when TCCR<sub>n</sub>A is written when operating in a PWM mode. When writing a logical one to the FOC<sub>n</sub>A/FOC<sub>n</sub>B bit, an immediate compare match is forced on the Waveform Generation unit. The OC<sub>n</sub>A/OC<sub>n</sub>B output is changed according to its COM<sub>n</sub>x1:0 bits setting. Note that the FOC<sub>n</sub>A/FOC<sub>n</sub>B bits are implemented as strobes. Therefore it is the value present in the COM<sub>n</sub>x1:0 bits that determine the effect of the forced compare.

A FOCnA/FOCnB strobe will not generate any interrupt nor will it clear the timer in Clear Timer on Compare match (CTC) mode using OCRnA as TOP.

The FOCnA/FOCnB bits are always read as zero.

#### 15.10.4 Timer/Counter1 – TCNT1H and TCNT1L

Bit	7	6	5	4	3	2	1	0	
	TCNT1[15:8]								TCNT1H
	TCNT1[7:0]								TCNT1L
Read/Write	R/W	R/W	R/W	R/W	R/W	R/W	R/W	R/W	
Initial Value	0	0	0	0	0	0	0	0	

The two *Timer/Counter I/O* locations (TCNTnH and TCNTnL, combined TCNTn) give direct access, both for read and for write operations, to the Timer/Counter unit 16-bit counter. To ensure that both the high and low bytes are read and written simultaneously when the CPU accesses these registers, the access is performed using an 8-bit temporary High Byte Register (TEMP). This temporary register is shared by all the other 16-bit registers. See [“Accessing 16-bit Registers” on page 105](#).

Modifying the counter (TCNTn) while the counter is running introduces a risk of missing a compare match between TCNTn and one of the OCRnx Registers.

Writing to the TCNTn Register blocks (removes) the compare match on the following timer clock for all compare units.

#### 15.10.5 Output Compare Register 1 A – OCR1AH and OCR1AL

Bit	7	6	5	4	3	2	1	0	
	OCR1A[15:8]								OCR1AH
	OCR1A[7:0]								OCR1AL
Read/Write	R/W	R/W	R/W	R/W	R/W	R/W	R/W	R/W	
Initial Value	0	0	0	0	0	0	0	0	

#### 15.10.6 Output Compare Register 1 B – OCR1BH and OCR1BL

Bit	7	6	5	4	3	2	1	0	
	OCR1B[15:8]								OCR1BH
	OCR1B[7:0]								OCR1BL
Read/Write	R/W	R/W	R/W	R/W	R/W	R/W	R/W	R/W	
Initial Value	0	0	0	0	0	0	0	0	

The Output Compare Registers contain a 16-bit value that is continuously compared with the counter value (TCNTn). A match can be used to generate an Output Compare interrupt, or to generate a waveform output on the OCnx pin.

The Output Compare Registers are 16-bit in size. To ensure that both the high and low bytes are written simultaneously when the CPU writes to these registers, the access is performed using an 8-bit temporary High Byte Register (TEMP). This temporary register is shared by all the other 16-bit registers. See [“Accessing 16-bit Registers” on page 105](#).

#### 15.10.7 Input Capture Register 1 – ICR1H and ICR1L

Bit	7	6	5	4	3	2	1	0	
	ICR1[15:8]								ICR1H
	ICR1[7:0]								ICR1L
Read/Write	R/W	R/W	R/W	R/W	R/W	R/W	R/W	R/W	
Initial Value	0	0	0	0	0	0	0	0	



The Input Capture is updated with the counter (TCNTn) value each time an event occurs on the ICPn pin (or optionally on the Analog Comparator output for Timer/Counter1). The Input Capture can be used for defining the counter TOP value.

The Input Capture Register is 16-bit in size. To ensure that both the high and low bytes are read simultaneously when the CPU accesses these registers, the access is performed using an 8-bit temporary High Byte Register (TEMP). This temporary register is shared by all the other 16-bit registers. See “Accessing 16-bit Registers” on page 105.

## 15.10.8 Timer/Counter1 Interrupt Mask Register – TIMSK1

Bit	7	6	5	4	3	2	1	0	
	–	–	ICIE1	–	–	OCIE1B	OCIE1A	TOIE1	TIMSK1
Read/Write	R	R	R/W	R	R	R/W	R/W	R/W	
Initial Value	0	0	0	0	0	0	0	0	

- **Bit 7, 6 – Res: Reserved Bits**

These bits are unused bits in the AT90PWM216/316, and will always read as zero.

- **Bit 5 – ICIE1: Timer/Counter1, Input Capture Interrupt Enable**

When this bit is written to one, and the I-flag in the Status Register is set (interrupts globally enabled), the Timer/Counter1 Input Capture interrupt is enabled. The corresponding Interrupt Vector (see “Reset and Interrupt Vectors Placement in AT90PWM216/316(1)” on page 56) is executed when the ICF1 Flag, located in TIFR1, is set.

- **Bit 4, 3 – Res: Reserved Bits**

These bits are unused bits in the AT90PWM216/316, and will always read as zero.

- **Bit 2 – OCIE1B: Timer/Counter1, Output Compare B Match Interrupt Enable**

When this bit is written to one, and the I-flag in the Status Register is set (interrupts globally enabled), the Timer/Counter1 Output Compare B Match interrupt is enabled. The corresponding Interrupt Vector (see “Reset and Interrupt Vectors Placement in AT90PWM216/316(1)” on page 56) is executed when the OCF1B Flag, located in TIFR1, is set.

- **Bit 1 – OCIE1A: Timer/Counter1, Output Compare A Match Interrupt Enable**

When this bit is written to one, and the I-flag in the Status Register is set (interrupts globally enabled), the Timer/Counter1 Output Compare A Match interrupt is enabled. The corresponding Interrupt Vector (see “Reset and Interrupt Vectors Placement in AT90PWM216/316(1)” on page 56) is executed when the OCF1A Flag, located in TIFR1, is set.

- **Bit 0 – TOIE1: Timer/Counter1, Overflow Interrupt Enable**

When this bit is written to one, and the I-flag in the Status Register is set (interrupts globally enabled), the Timer/Counter1 Overflow interrupt is enabled. The corresponding Interrupt Vector (see “Reset and Interrupt Vectors Placement in AT90PWM216/316(1)” on page 56) is executed when the TOV1 Flag, located in TIFR1, is set.

### 15.10.9 Timer/Counter1 Interrupt Flag Register – TIFR1

Bit	7	6	5	4	3	2	1	0	
	–	–	ICF1	–	–	OCF1B	OCF1A	TOV1	TIFR1
Read/Write	R	R	R/W	R	R	R/W	R/W	R/W	
Initial Value	0	0	0	0	0	0	0	0	

- **Bit 7, 6 – Res: Reserved Bits**

These bits are unused bits in the AT90PWM216/316, and will always read as zero.

- **Bit 5 – ICF1: Timer/Counter1, Input Capture Flag**

This flag is set when a capture event occurs on the ICP1 pin. When the Input Capture Register (ICR1) is set by the WGMn3:0 to be used as the TOP value, the ICF1 Flag is set when the counter reaches the TOP value.

ICF1 is automatically cleared when the Input Capture Interrupt Vector is executed. Alternatively, ICF1 can be cleared by writing a logic one to its bit location.

- **Bit 4, 3 – Res: Reserved Bits**

These bits are unused bits in the AT90PWM216/316, and will always read as zero.

- **Bit 2 – OCF1B: Timer/Counter1, Output Compare B Match Flag**

This flag is set in the timer clock cycle after the counter (TCNT1) value matches the Output Compare Register B (OCR1B).

Note that a Forced Output Compare (FOC1B) strobe will not set the OCF1B Flag.

OCF1B is automatically cleared when the Output Compare Match B Interrupt Vector is executed. Alternatively, OCF1B can be cleared by writing a logic one to its bit location.

- **Bit 1 – OCF1A: Timer/Counter1, Output Compare A Match Flag**

This flag is set in the timer clock cycle after the counter (TCNT1) value matches the Output Compare Register A (OCR1A).

Note that a Forced Output Compare (FOC1A) strobe will not set the OCF1A Flag.

OCF1A is automatically cleared when the Output Compare Match A Interrupt Vector is executed. Alternatively, OCF1A can be cleared by writing a logic one to its bit location.

- **Bit 0 – TOV1: Timer/Counter1, Overflow Flag**

The setting of this flag is dependent of the WGMn3:0 bits setting. In Normal and CTC modes, the TOV1 Flag is set when the timer overflows. Refer to [Table 15-5 on page 126](#) for the TOV1 Flag behavior when using another WGMn3:0 bit setting.

TOV1 is automatically cleared when the Timer/Counter1 Overflow Interrupt Vector is executed. Alternatively, TOV1 can be cleared by writing a logic one to its bit location.

## 16. Power Stage Controller – (PSC0, PSC1 & PSC2)

The Power Stage Controller is a high performance waveform controller.

### 16.1 Features

- PWM waveform generation function (2 complementary programmable outputs)
- Dead time control
- Standard mode up to 12 bit resolution
- Frequency Resolution Enhancement Mode (12 + 4 bits)
- Frequency up to 64 Mhz
- Conditional Waveform on External Events (Zero Crossing, Current Sensing ...)
- All on chip PSC synchronization
- ADC synchronization
- Overload protection function
- Abnormality protection function, emergency input to force all outputs to high impedance or in inactive state (fuse configurable)
- Center aligned and edge aligned modes synchronization
- Fast emergency stop by hardware

### 16.2 Overview

Many register and bit references in this section are written in general form.

- A lower case “n” replaces the PSC number, in this case 0, 1 or 2. However, when using the register or bit defines in a program, the precise form must be used, i.e., PSOC1 for accessing PSC 0 Synchro and Output Configuration register and so on.
- A lower case “x” replaces the PSC part , in this case A or B. However, when using the register or bit defines in a program, the precise form must be used, i.e., PFRCnA for accessing PSC n Fault/Retrigger n A Control register and so on.

The purpose of a Power Stage Controller (PSC) is to control power modules on a board. It has two outputs on PSC0 and PSC1 and four outputs on PSC2.

These outputs can be used in various ways:

- “Two Ouputs” to drive a half bridge (lighting, DC motor ...)
- “One Output” to drive single power transistor (DC/DC converter, PFC, DC motor ...)
- “Four Outputs” in the case of PSC2 to drive a full bridge (lighting, DC motor ...)

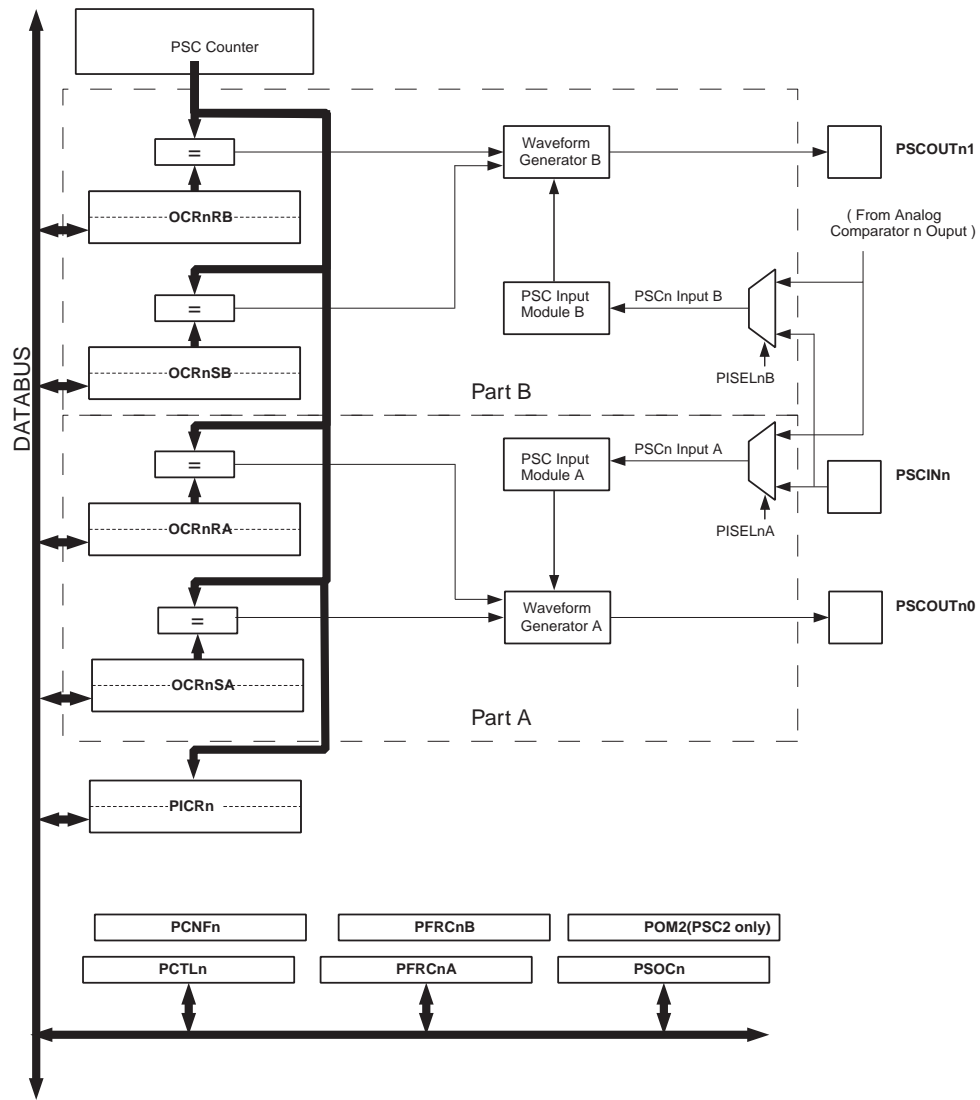
Each PSC has two inputs the purpose of which is to provide means to act directly on the generated waveforms:

- Current sensing regulation
- Zero crossing retriggering
- Demagnetization retriggering
- Fault input

The PSC can be chained and synchronized to provide a configuration to drive three half bridges. Thanks to this feature it is possible to generate a three phase waveforms for applications such as Asynchronous or BLDC motor drive.

## 16.3 PSC Description

Figure 16-1. Power Stage Controller 0 or 1 Block Diagram



Note:  $n = 0, 1$

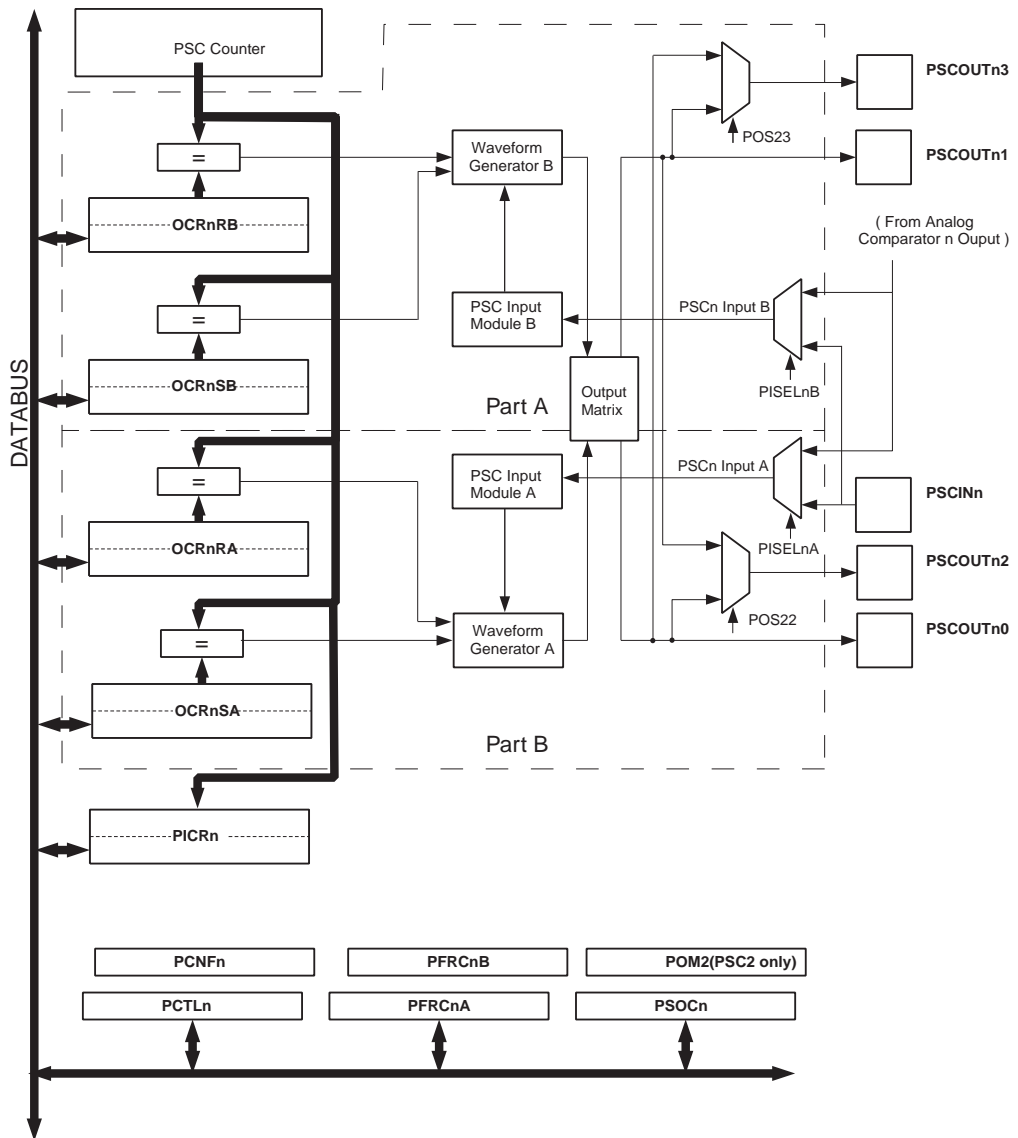
The principle of the PSC is based on the use of a counter (PSC counter). This counter is able to count up and count down from and to values stored in registers according to the selected running mode.

The PSC is seen as two symmetrical entities. One part named part A which generates the output PSCOUTn0 and the second one named part B which generates the PSCOUTn1 output.

Each part A or B has its own PSC Input Module to manage selected input.

16.3.1 PSC2 Distinctive Feature

Figure 16-2. PSC2 versus PSC1&PSC0 Block Diagram



Note: n = 2

PSC2 has two supplementary outputs PSCOUT22 and PSCOUT23. Thanks to a first selector PSCOUT22 can duplicate PSCOUT20 or PSCOUT21. Thanks to a second selector PSCOUT23 can duplicate PSCOUT20 or PSCOUT21.

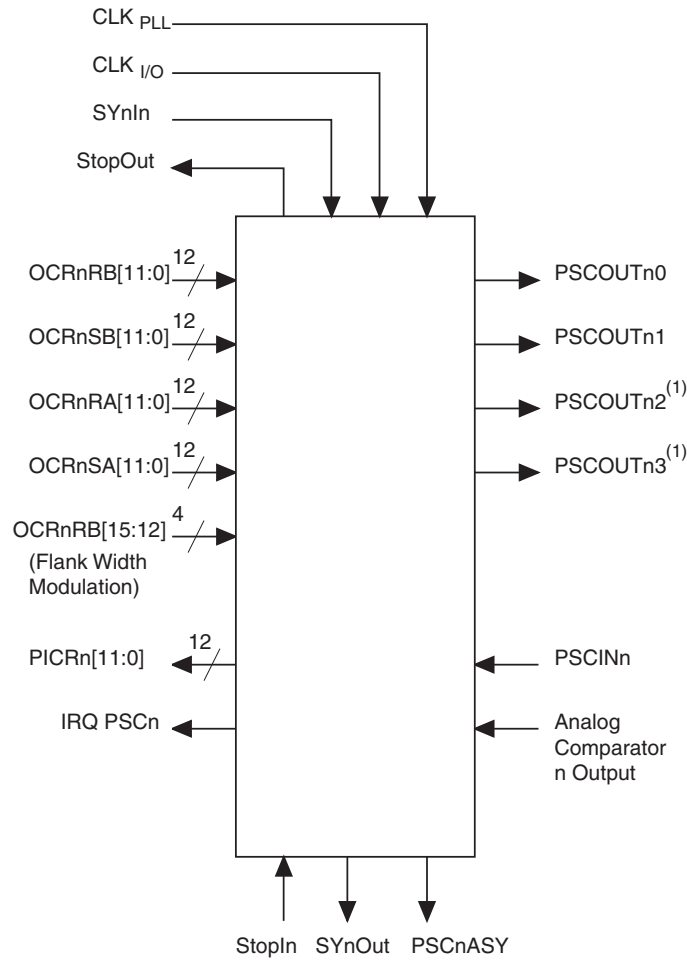
The Output Matrix is a kind of 2\*2 look up table which gives the possibility to program the output values according to a PSC sequence (See "Output Matrix" on page 159.)

16.3.2 Output Polarity

The polarity "active high" or "active low" of the PSC outputs is programmable. All the timing diagrams in the following examples are given in the "active high" polarity.

## 16.4 Signal Description

**Figure 16-3.** PSC External Block View



Note: 1. available only for PSC2  
2. n = 0, 1 or 2

### 16.4.1 Input Description

**Table 16-1.** Internal Inputs

Name	Description	Type Width
OCRnRB[11:0]	Compare Value which Reset Signal on Part B (PSCOUTn1)	Register 12 bits
OCRnSB[11:0]	Compare Value which Set Signal on Part B (PSCOUTn1)	Register 12 bits
OCRnRA[11:0]	Compare Value which Reset Signal on Part A (PSCOUTn0)	Register 12 bits
OCRnSA[11:0]	Compare Value which Set Signal on Part A (PSCOUTn0)	Register 12 bits

Name	Description	Type Width
OCRnRB[15:12]	Frequency Resolution Enhancement value (Flank Width Modulation)	Register 4 bits
CLK I/O	Clock Input from I/O clock	Signal
CLK PLL	Clock Input from PLL	Signal
SYnIn	Synchronization In (from adjacent PSC) <sup>(1)</sup>	Signal
StopIn	Stop Input (for synchronized mode)	Signal

Note: 1. See [Figure 16-38 on page 160](#)

**Table 16-2.** Block Inputs

Name	Description	Type Width
PSCInn	Input 0 used for Retrigger or Fault functions	Signal
from A C	Input 1 used for Retrigger or Fault functions	Signal

## 16.4.2 Output Description

**Table 16-3.** Block Outputs

Name	Description	Type Width
PSCOUTn0	PSC n Output 0 (from part A of PSC)	Signal
PSCOUTn1	PSC n Output 1 (from part B of PSC)	Signal
PSCOUTn2 (PSC2 only)	PSC n Output 2 (from part A or part B of PSC)	Signal
PSCOUTn3( PSC2 only)	PSC n Output 3 (from part A or part B of PSC)	Signal

**Table 16-4.** Internal Outputs

Name	Description	Type Width
SYnOut	Synchronization Output <sup>(1)</sup>	Signal
PICRn [11:0]	PSC n Input Capture Register Counter value at retriggering event	Register 12 bits
IRQPSCn	PSC Interrupt Request : three sources, overflow, fault, and input capture	Signal
PSCnASY	ADC Synchronization (+ Amplifier Syncho. ) <sup>(2)</sup>	Signal
StopOut	Stop Output (for synchronized mode)	

Note: 1. See [Figure 16-38 on page 160](#)  
2. See ["Analog Synchronization" on page 159.](#)

## 16.5 Functional Description

### 16.5.1 Waveform Cycles

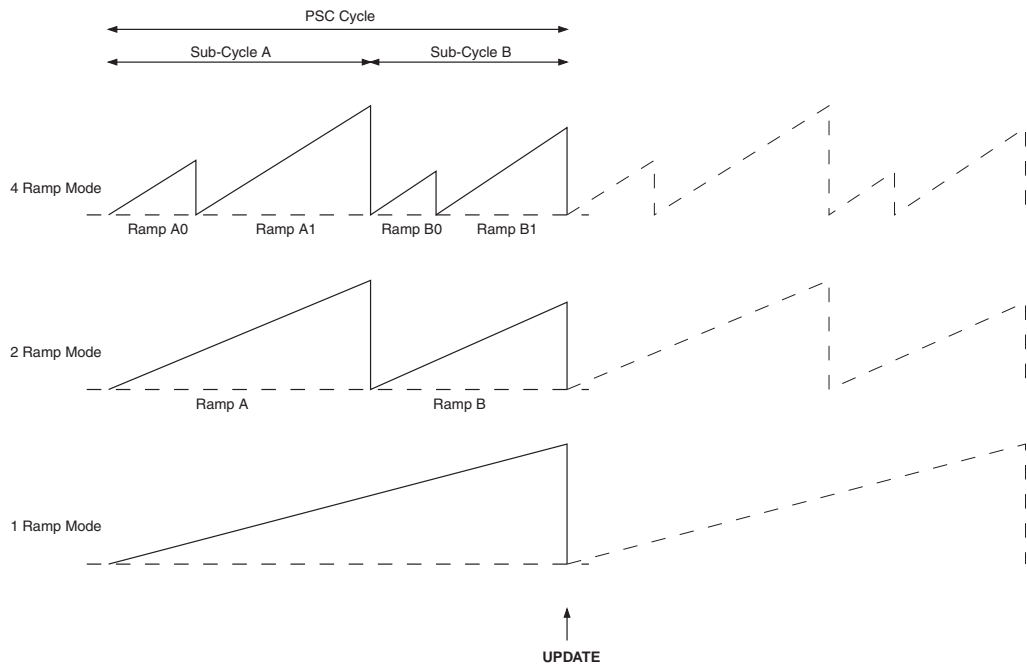
The waveform generated by PSC can be described as a sequence of two waveforms.

The first waveform is relative to PSCOUTn0 output and part A of PSC. The part of this waveform is sub-cycle A in the following figure.

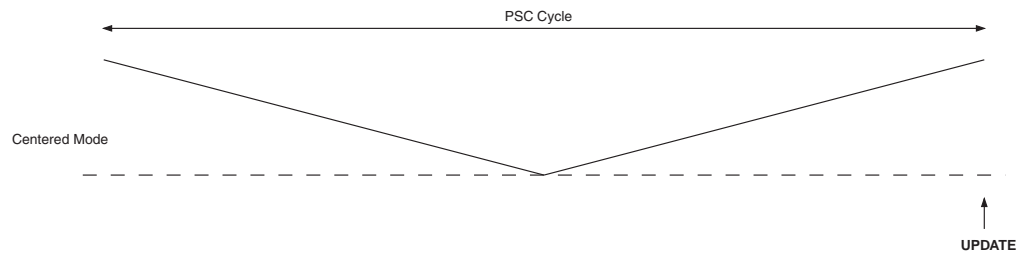
The second waveform is relative to PSCOUTn1 output and part B of PSC. The part of this waveform is sub-cycle B in the following figure.

The complete waveform is ended with the end of sub-cycle B. It means at the end of waveform B.

**Figure 16-4.** Cycle Presentation in 1, 2 & 4 Ramp Mode



**Figure 16-5.** Cycle Presentation in Centered Mode



Ramps illustrate the output of the PSC counter included in the waveform generators. Centered Mode is like a one ramp mode which count down up and down.

Notice that the update of a new set of values is done regardless of ramp Mode at the top of the last ramp.



## 16.5.2 Running Mode Description

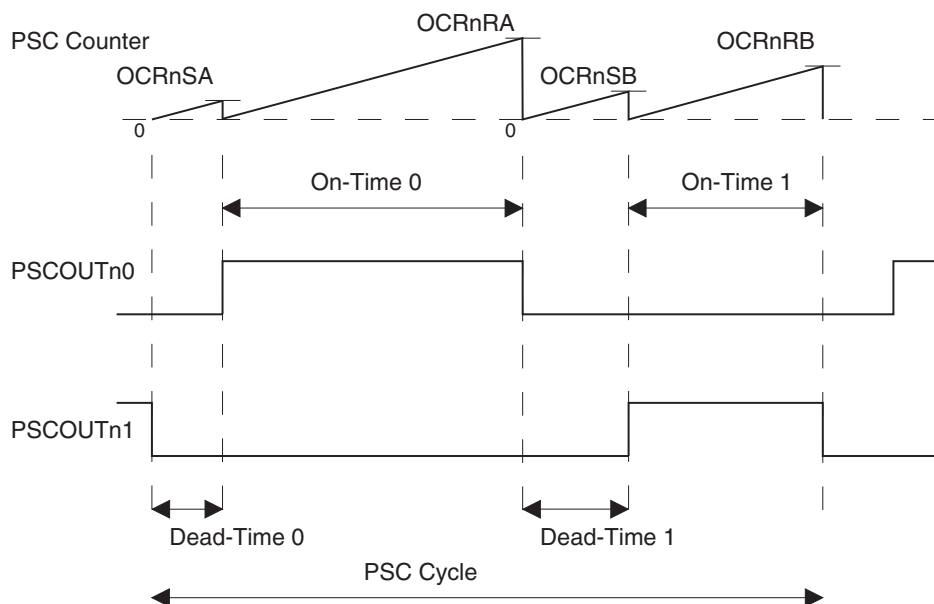
Waveforms and length of output signals are determined by Time Parameters (DT0, OT0, DT1, OT1) and by the running mode. Four modes are possible :

- Four Ramp mode
- Two Ramp mode
- One Ramp mode
- Center Aligned mode

### 16.5.2.1 Four Ramp Mode

In Four Ramp mode, each time in a cycle has its own definition

**Figure 16-6.** PSCn0 & PSCn1 Basic Waveforms in Four Ramp mode



The input clock of PSC is given by CLKPSC.

PSCOUTn0 and PSCOUTn1 signals are defined by On-Time 0, Dead-Time 0, On-Time 1 and Dead-Time 1 values with :

$$\text{On-Time 0} = \text{OCRnRAH/L} * 1/\text{Fclkpsc}$$

$$\text{On-Time 1} = \text{OCRnRBH/L} * 1/\text{Fclkpsc}$$

$$\text{Dead-Time 0} = (\text{OCRnSAH/L} + 2) * 1/\text{Fclkpsc}$$

$$\text{Dead-Time 1} = (\text{OCRnSBH/L} + 2) * 1/\text{Fclkpsc}$$

Note: Minimal value for Dead-Time 0 and Dead-Time 1 =  $2 * 1/\text{Fclkpsc}$

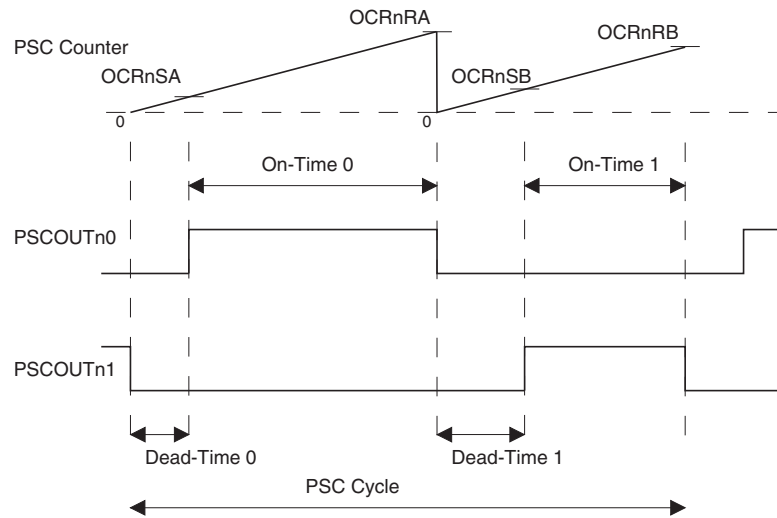
### 16.5.2.2 Two Ramp Mode

In Two Ramp mode, the whole cycle is divided in two moments

One moment for PSCn0 description with OT0 which gives the time of the whole moment

One moment for PSCn1 description with OT1 which gives the time of the whole moment

**Figure 16-7.** PSCn0 & PSCn1 Basic Waveforms in Two Ramp mode



PSCOUTn0 and PSCOUTn1 signals are defined by On-Time 0, Dead-Time 0, On-Time 1 and Dead-Time 1 values with :

$$\text{On-Time 0} = (\text{OCRnRAH/L} - \text{OCRnSAH/L}) * 1/\text{Fclkpsc}$$

$$\text{On-Time 1} = (\text{OCRnRBH/L} - \text{OCRnSBH/L}) * 1/\text{Fclkpsc}$$

$$\text{Dead-Time 0} = (\text{OCRnSAH/L} + 1) * 1/\text{Fclkpsc}$$

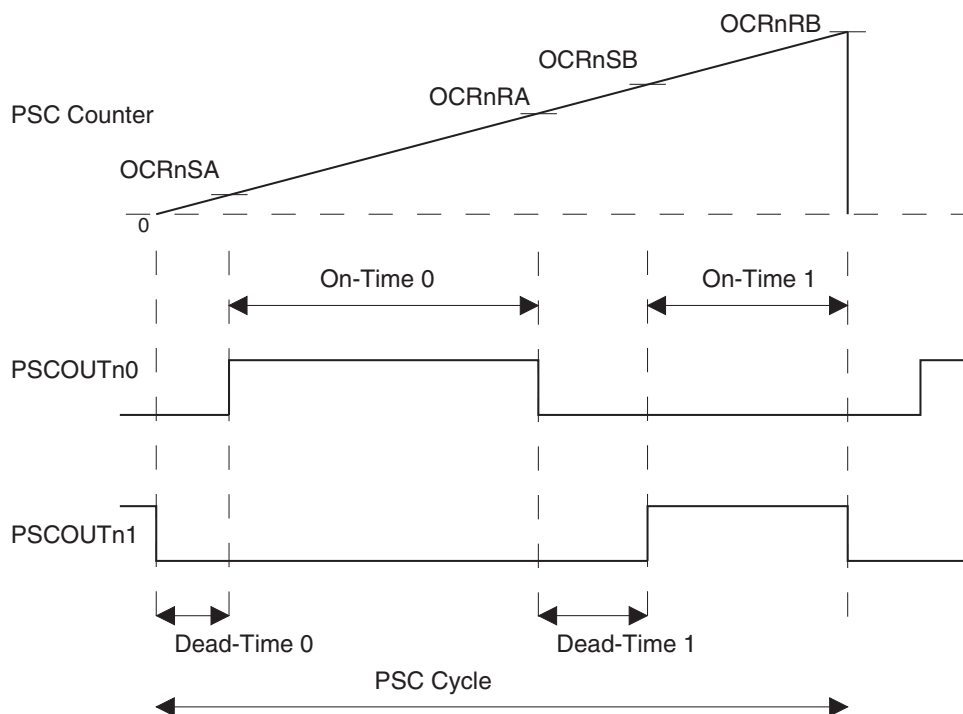
$$\text{Dead-Time 1} = (\text{OCRnSBH/L} + 1) * 1/\text{Fclkpsc}$$

Note: Minimal value for Dead-Time 0 and Dead-Time 1 =  $1/\text{Fclkpsc}$

### 16.5.2.3 One Ramp Mode

In One Ramp mode, PSCOUTn0 and PSCOUTn1 outputs can overlap each other.

**Figure 16-8.** PSCn0 & PSCn1 Basic Waveforms in One Ramp mode



$$\text{On-Time 0} = (\text{OCRnRAH/L} - \text{OCRnSAH/L}) * 1/\text{Fclkpsc}$$

$$\text{On-Time 1} = (\text{OCRnRBH/L} - \text{OCRnSBH/L}) * 1/\text{Fclkpsc}$$

$$\text{Dead-Time 0} = (\text{OCRnSAH/L} + 1) * 1/\text{Fclkpsc}$$

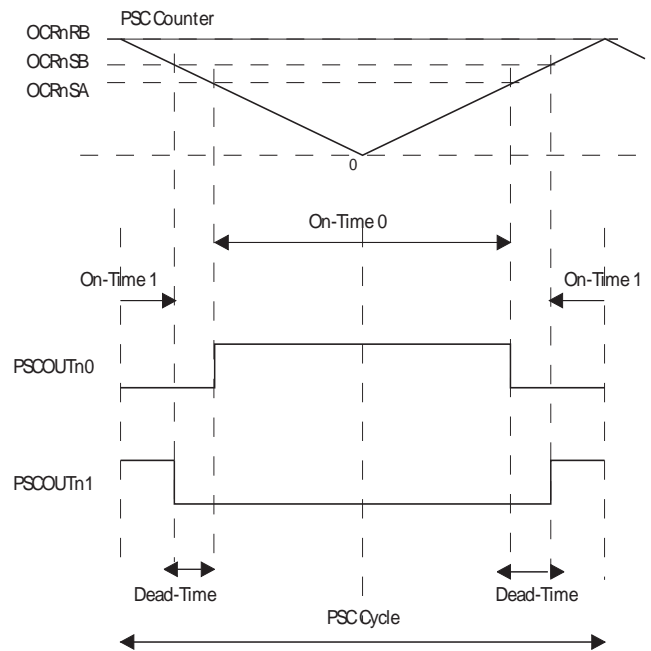
$$\text{Dead-Time 1} = (\text{OCRnSBH/L} - \text{OCRnRAH/L}) * 1/\text{Fclkpsc}$$

Note: Minimal value for Dead-Time 0 = 1/Fclkpsc

#### 16.5.2.4 Center Aligned Mode

In center aligned mode, the center of PSCn00 and PSCn01 signals are centered.

**Figure 16-9.** PSCn0 & PSCn1 Basic Waveforms in Center Aligned Mode



$$\text{On-Time 0} = 2 * \text{OCRnSAH/L} * 1/\text{Fclkpsc}$$

$$\text{On-Time 1} = 2 * (\text{OCRnRBH/L} - \text{OCRnSBH/L} + 1) * 1/\text{Fclkpsc}$$

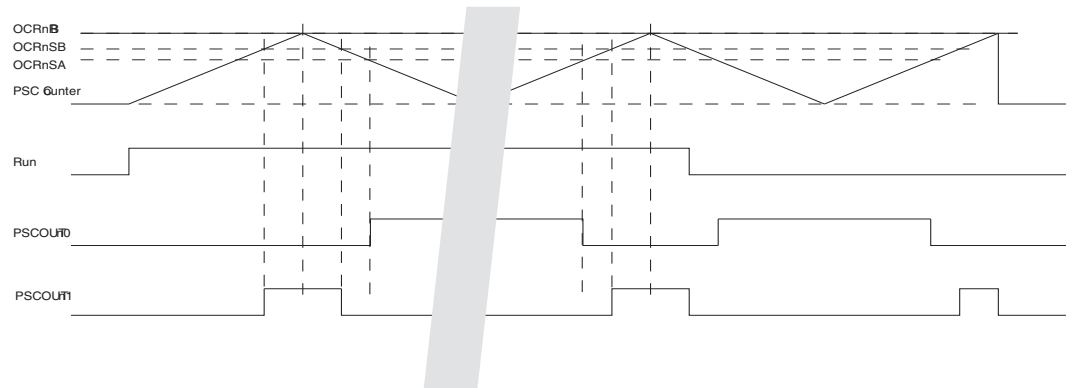
$$\text{Dead-Time} = (\text{OCRnSBH/L} - \text{OCRnSAH/L}) * 1/\text{Fclkpsc}$$

$$\text{PSC Cycle} = 2 * (\text{OCRnRBH/L} + 1) * 1/\text{Fclkpsc}$$

Note: Minimal value for PSC Cycle =  $2 * 1/\text{Fclkpsc}$

OCRnRAH/L is not used to control PSC Output waveform timing. Nevertheless, it can be useful to adjust ADC synchronization (See [“Analog Synchronization” on page 159.](#))

**Figure 16-10.** Run and Stop Mechanism in Centered Mode



Note: See [“PSC 0 Control Register – PCTL0” on page 166.](#) (or PCTL1 or PCTL2)

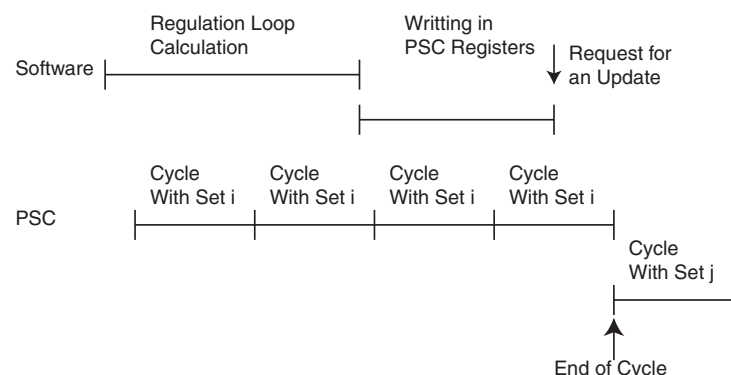
### 16.5.3 Fifty Percent Waveform Configuration

When PSCOUTn0 and PSCOUTn1 have the same characteristics, it's possible to configure the PSC in a Fifty Percent mode. When the PSC is in this configuration, it duplicates the OCRnSBH/L and OCRnRBH/L registers in OCRnSAH/L and OCRnRAH/L registers. So it is not necessary to program OCRnSAH/L and OCRnRAH/L registers.

## 16.6 Update of Values

To avoid un asynchronous and incoherent values in a cycle, if an update of one of several values is necessary, all values are updated at the same time at the end of the cycle by the PSC. The new set of values is calculated by software and the update is initiated by software.

**Figure 16-11.** Update at the end of complete PSC cycle.



The software can stop the cycle before the end to update the values and restart a new PSC cycle.

### 16.6.1 Value Update Synchronization

New timing values or PSC output configuration can be written during the PSC cycle. Thanks to LOCK and AUTOLOCK configuration bits, the new whole set of values can be taken into account after the end of the PSC cycle.

When AUTOLOCK configuration is selected, the update of the PSC internal registers will be done at the end of the PSC cycle if the Output Compare Register RB has been the last written. The AUTOLOCK configuration bit is taken into account at the end of the first PSC cycle.

When LOCK configuration bit is set, there is no update. The update of the PSC internal registers will be done at the end of the PSC cycle if the LOCK bit is released to zero.

The registers which update is synchronized thanks to LOCK and AUTOLOCK are PSOCn, POM2, OCRnSAH/L, OCRnRAH/L, OCRnSBH/L and OCRnRBH/L.

See these register's description starting on [page 164](#).

When set, AUTOLOCK configuration bit prevails over LOCK configuration bit.

See "PSC 0 Configuration Register – PCNF0" on [page 165](#).

## 16.7 Enhanced Resolution

Lamp Ballast applications need an enhanced resolution down to 50Hz. The method to improve the normal resolution is based on Flank Width Modulation (also called Fractional Divider). Cycles are grouped into frames of 16 cycles. Cycles are modulated by a sequence given by the

fractional divider number. The resulting output frequency is the average of the frequencies in the frame. The fractional divider (d) is given by OCRnRB[15:12].

The PSC output period is directly equal to the PSCOUTn0 On Time + Dead Time (OT0+DT0) and PSCOUTn1 On Time + DeadTime (OT1+DT1) values. These values are 12 bits numbers. The frequency adjustment can only be done in steps like the dedicated counters. The step width is defined as the frequency difference between two neighboring PSC frequencies:

$$\Delta f = |f_1 - f_2| = \left| \frac{f_{PLL}}{k} - \frac{f_{PLL}}{k+1} \right| = f_{PSC} \times \frac{1}{k(k+1)}$$

with k is the number of CLK<sub>PSC</sub> period in a PSC cycle and is given by the following formula:

$$n = \frac{f_{PSC}}{f_{OP}}$$

with f<sub>OP</sub> is the output operating frequency.

example, in normal mode, with maximum operating frequency 160 kHz and f<sub>PLL</sub> = 64 Mhz, k equals 400. The resulting resolution is Delta F equals 64MHz / 400 / 401 = 400 Hz.

In enhanced mode, the output frequency is the average of the frame formed by the 16 consecutive cycles.

$$f_{AVERAGE} = \frac{16-d}{16} \times f_{b1} + \frac{d}{16} \times f_{b2}$$

f<sub>b1</sub> and f<sub>b2</sub> are two neighboring base frequencies.

$$f_{AVERAGE} = \frac{16-d}{16} \times \frac{f_{PLL}}{n} + \frac{d}{16} \times \frac{f_{PLL}}{n+1}$$

Then the frequency resolution is divided by 16. In the example above, the resolution equals 25 Hz.

## 16.7.1 Frequency distribution

The frequency modulation is done by switching two frequencies in a 16 consecutive cycle frame. These two frequencies are  $f_{b1}$  and  $f_{b2}$  where  $f_{b1}$  is the nearest base frequency above the wanted frequency and  $f_{b2}$  is the nearest base frequency below the wanted frequency. The number of  $f_{b1}$  in the frame is  $(d-16)$  and the number of  $f_{b2}$  is  $d$ . The  $f_{b1}$  and  $f_{b2}$  frequencies are evenly distributed in the frame according to a predefined pattern. This pattern can be as given in the following table or by any other implementation which give an equivalent evenly distribution.

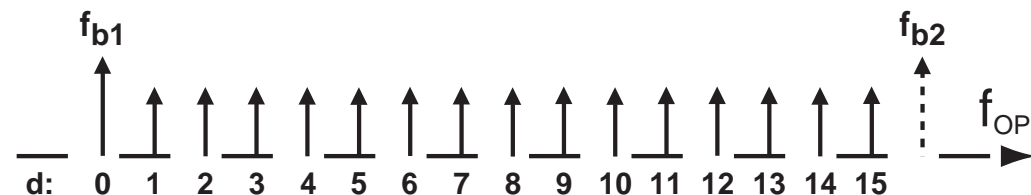
**Table 16-5.** Distribution of  $f_{b2}$  in the modulated frame

Distribution of $f_{b2}$ in the modulated frame																
Fractional Divider (d)	PWM - cycle															
	0	1	2	3	4	5	6	7	8	9	10	11	12	13	14	15
0																
1	X															
2	X							X								
3	X				X			X								
4	X				X			X				X				
5	X		X		X			X				X				
6	X		X		X			X		X		X				
7	X		X		X		X		X		X		X			
8	X		X		X		X		X		X		X		X	
9	X	X	X		X		X		X		X		X		X	
10	X	X	X		X		X		X	X	X		X		X	
11	X	X	X		X	X	X		X	X	X		X		X	
12	X	X	X		X	X	X		X	X	X		X	X	X	
13	X	X	X	X	X	X	X		X	X	X		X	X	X	
14	X	X	X	X	X	X	X		X	X	X	X	X	X	X	
15	X	X	X	X	X	X	X	X	X	X	X	X	X	X	X	

While 'X' in the table,  $f_{b2}$  prime to  $f_{b1}$  in cycle corresponding cycle.

So for each row, a number of  $f_{b2}$  take place of  $f_{b1}$ .

**Figure 16-12.** Resulting Frequency versus d.



## 16.7.2 Modes of Operation

### 16.7.2.1 Normal Mode

The simplest mode of operation is the normal mode. See [Figure 16-6](#).

The active time of PSCOUTn0 is given by the OT0 value. The active time of PSCOUTn1 is given by the OT1 value. Both of them are 12 bit values. Thanks to DT0 & DT1 to adjust the dead time between PSCOUTn0 and PSCOUTn1 active signals.

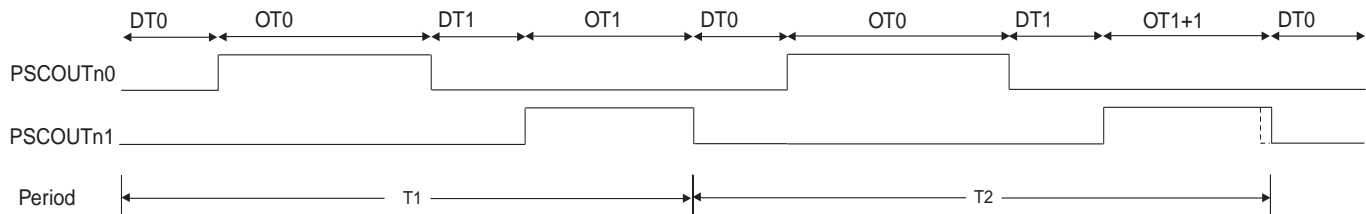
The waveform frequency is defined by the following equation:

$$f_{PSCn} = \frac{1}{PSCnCycle} = \frac{f_{CLK\_PSCn}}{(OT0 + OT1 + DT0 + DT1)} = \dots = 1$$

### 16.7.2.2 Enhanced Mode

The Enhanced Mode uses the previously described method to generate a high resolution frequency.

**Figure 16-13.** Enhanced Mode, Timing Diagram



The supplementary step in counting to generate  $f_{b2}$  is added on the PSCn0 signal while needed in the frame according to the fractional divider. See [Table 16-5](#), “Distribution of fb2 in the modulated frame,” on page 143.

The waveform frequency is defined by the following equations:

$$f1_{PSCn} = \frac{1}{T_1} = \frac{f_{CLK\_PSCn}}{(OT0 + OT1 + DT0 + DT1)}$$

$$f2_{PSCn} = \frac{1}{T_2} = \frac{f_{CLK\_PSCn}}{(OT0 + OT1 + DT0 + DT1 + 1)}$$

$$f_{AVERAGE} = \frac{d}{16} \times f1_{PSCn} + \frac{16-d}{16} \times f2_{PSCn}$$

d is the fractionel divider factor.

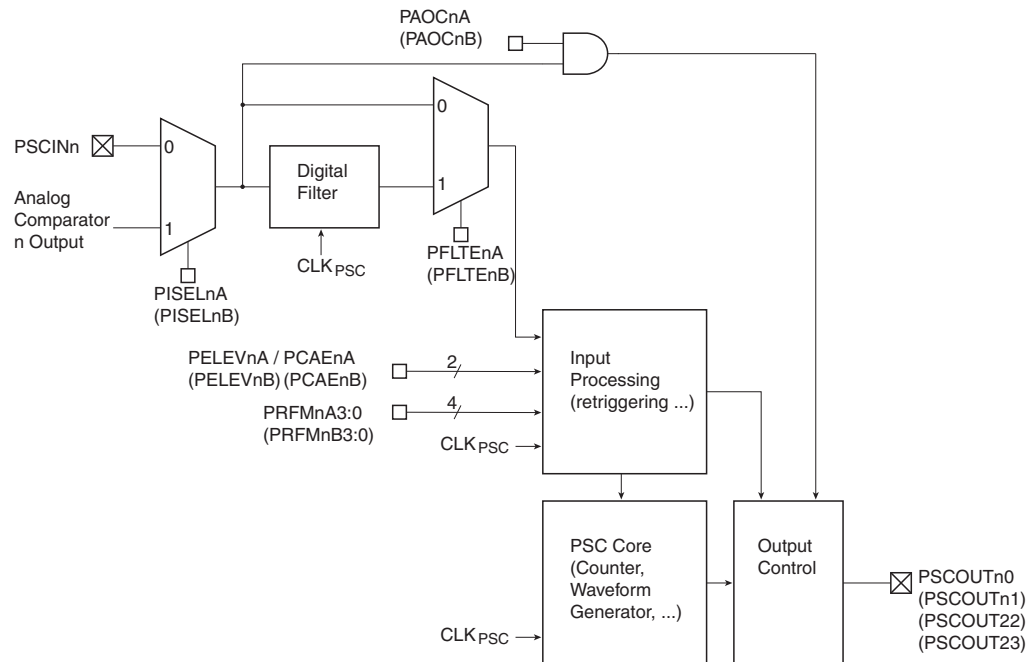


## 16.8 PSC Inputs

Each part A or B of PSC has its own system to take into account one PSC input. According to PSC n Input A/B Control Register (see description 16.25.14 [page 169](#)), PSCnIN0/1 input can act has a Retrigger or Fault input.

This system A or B is also configured by this PSC n Input A/B Control Register (PFRcNA/B).

**Figure 16-14.** PSC Input Module



### 16.8.1 PSC Retrigger Behaviour versus PSC running modes

In centered mode, Retrigger Inputs have no effect.

In two ramp or four ramp mode, Retrigger Inputs A or B cause the end of the corresponding cycle A or B and the beginning of the following cycle B or A.

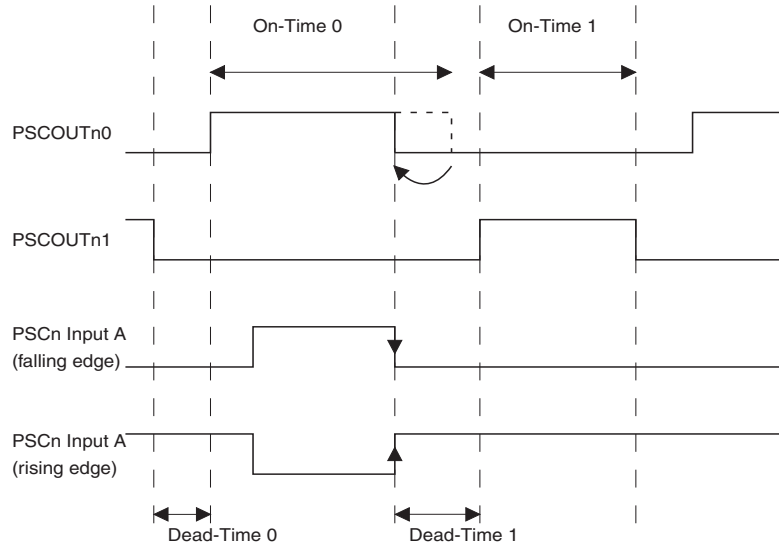
In one ramp mode, Retrigger Inputs A or B reset the current PSC counting to zero.

### 16.8.2 Retrigger PSCOUTn0 On External Event

PSCOUTn0 output can be resetted before end of On-Time 0 on the change on PSCn Input A. PSCn Input A can be configured to do not act or to act on level or edge modes. The polarity of PSCn Input A is configurable thanks to a sense control block. PSCn Input A can be the Output of the analog comparator or the PSCINn input.

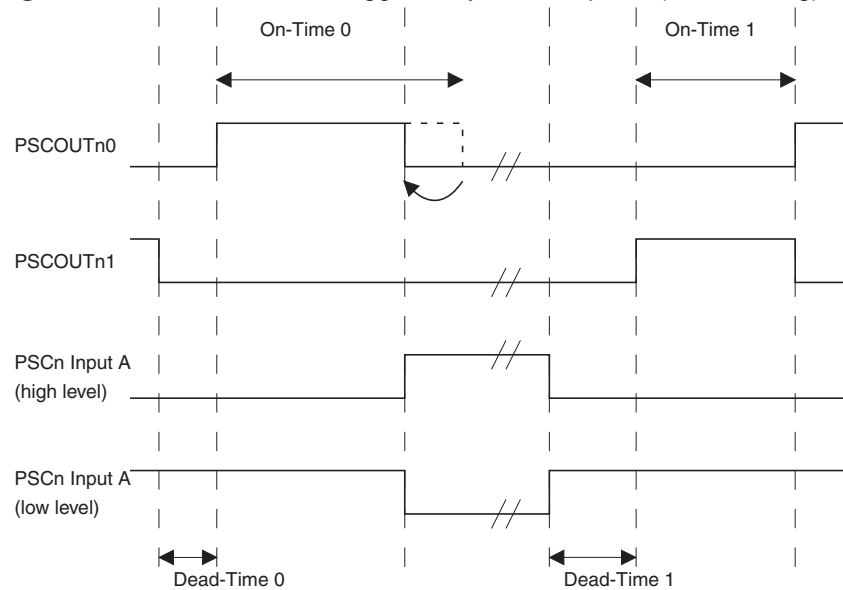
As the period of the cycle decreases, the instantaneous frequency of the two outputs increases.

**Figure 16-15.** PSCOUTn0 retriggered by PSCn Input A (Edge Retriggering)



Note: This example is given in “Input Mode 8” in “2 or 4 ramp mode” See Figure 16-31. for details.

**Figure 16-16.** PSCOUTn0 retriggered by PSCn Input A (Level Acting)



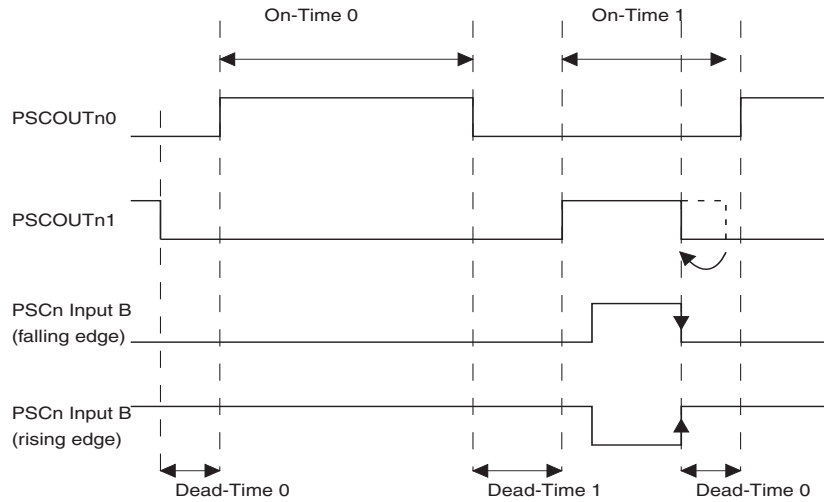
Note: This example is given in “Input Mode 1” in “2 or 4 ramp mode” See Figure 16-20. for details.

### 16.8.3 Retrigger PSCOUTn1 On External Event

PSCOUTn1 output can be resetted before end of On-Time 1 on the change on PSCn Input B. The polarity of PSCn Input B is configurable thanks to a sense control block. PSCn Input B can be configured to do not act or to act on level or edge modes. PSCn Input B can be the Output of the analog comparator or the PSCINn input.

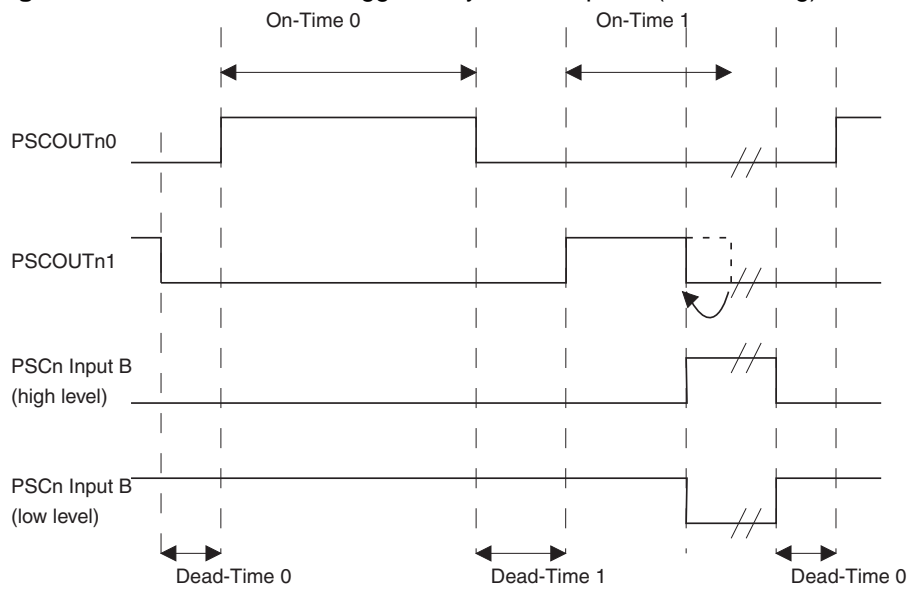
As the period of the cycle decreases, the instantaneous frequency of the two outputs increases.

**Figure 16-17.** PSCOUTn1 retriggered by PSCn Input B (Edge Retriggering)



Note: This example is given in "Input Mode 8" in "2 or 4 ramp mode" See Figure 16-31. for details.

**Figure 16-18.** PSCOUTn1 retriggered by PSCn Input B (Level Acting)

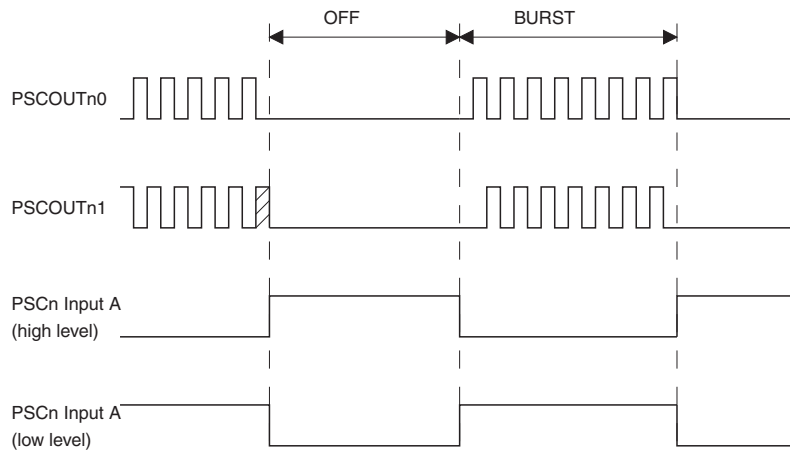


Note: This example is given in "Input Mode 1" in "2 or 4 ramp mode" See Figure 16-20. for details.

16.8.3.1 *Burst Generation*

Note: On level mode, it's possible to use PSC to generate burst by using Input Mode 3 or Mode 4 (See Figure 16-24. and Figure 16-25. for details.)

**Figure 16-19. Burst Generation**



### 16.8.4 PSC Input Configuration

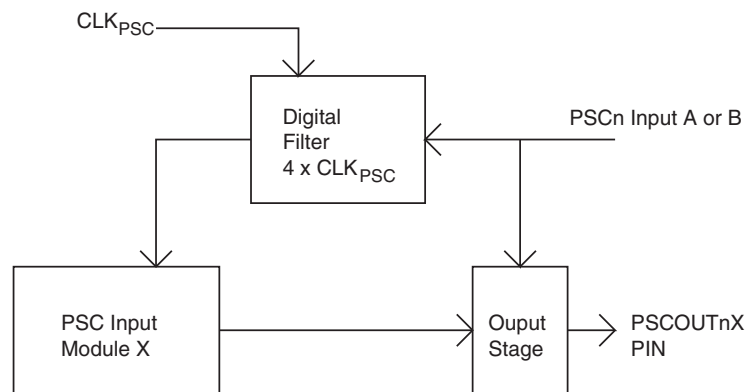
The PSC Input Configuration is done by programming bits in configuration registers.

#### 16.8.4.1 Filter Enable

If the “Filter Enable” bit is set, a digital filter of 4 cycles is inserted before evaluation of the signal. The disable of this function is mainly needed for prescaled PSC clock sources, where the noise cancellation gives too high latency.

Important: If the digital filter is active, the level sensitivity is true also with a disturbed PSC clock to deactivate the outputs (emergency protection of external component). Likewise when used as fault input, PSCn Input A or Input B have to go through PSC to act on PSCOUTn0/1/2/3 output. This way needs that  $CLK_{PSC}$  is running. So thanks to PSC Asynchronous Output Control bit (PAOCnA/B), PSCnIN0/1 input can deactivate directly the PSC output. Notice that in this case, input is still taken into account as usually by Input Module System as soon as  $CLK_{PSC}$  is running.

#### PSC Input Filtering



#### 16.8.4.2 Signal Polarity

One can select the active edge (edge modes) or the active level (level modes) See PELEVnx bit description in Section “PSC n Input A Control Register – PFRCnA”, page 16916.25.14.

If PELEVnx bit set, the significant edge of PSCn Input A or B is rising (edge modes) or the active level is high (level modes) and vice versa for unset/falling/low

- In 2- or 4-ramp mode, PSCn Input A is taken into account only during Dead-Time0 and On-Time0 period (respectively Dead-Time1 and On-Time1 for PSCn Input B).

- In 1-ramp-mode PSC Input A or PSC Input B act on the whole ramp.

### 16.8.4.3 Input Mode Operation

Thanks to 4 configuration bits (PRFM3:0), it's possible to define the mode of the PSC input. All

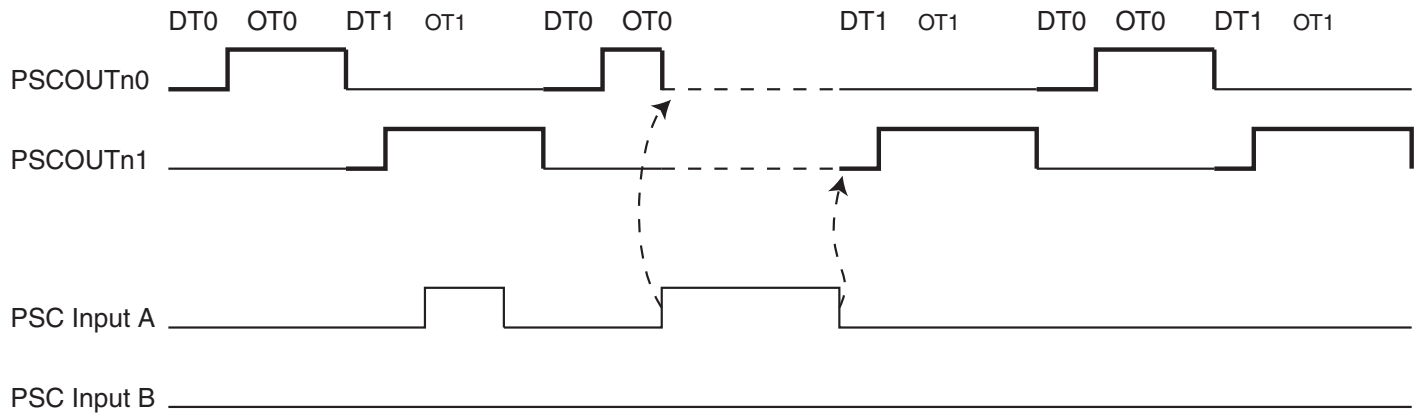
**Table 16-6.** PSC Input Mode Operation

	PRFM3:0	Description
0	0000b	PSCn Input has no action on PSC output
1	0001b	16.9See "PSC Input Mode 1: Stop signal, Jump to Opposite Dead-Time and Wait" on page 150.
2	0010b	See "PSC Input Mode 2: Stop signal, Execute Opposite Dead-Time and Wait" on page 151.
3	0011b	See "PSC Input Mode 3: Stop signal, Execute Opposite while Fault active" on page 152.
4	0100b	See "PSC Input Mode 4: Deactivate outputs without changing timing." on page 152.
5	0101b	See "PSC Input Mode 5: Stop signal and Insert Dead-Time" on page 153.
6	0110b	See "PSC Input Mode 6: Stop signal, Jump to Opposite Dead-Time and Wait." on page 154.
7	0111b	See "PSC Input Mode 7: Halt PSC and Wait for Software Action" on page 154.
8	1000b	See "PSC Input Mode 8: Edge Retrigger PSC" on page 154.
9	1001b	See "PSC Input Mode 9: Fixed Frequency Edge Retrigger PSC" on page 155.
10	1010b	Reserved : Do not use
11	1011b	
12	1100b	
13	1101b	
14	1110b	See "PSC Input Mode 14: Fixed Frequency Edge Retrigger PSC and Disactivate Output" on page 156.
15	1111b	Reserved : Do not use

Notice: All following examples are given with rising edge or high level active inputs.

## 16.9 PSC Input Mode 1: Stop signal, Jump to Opposite Dead-Time and Wait

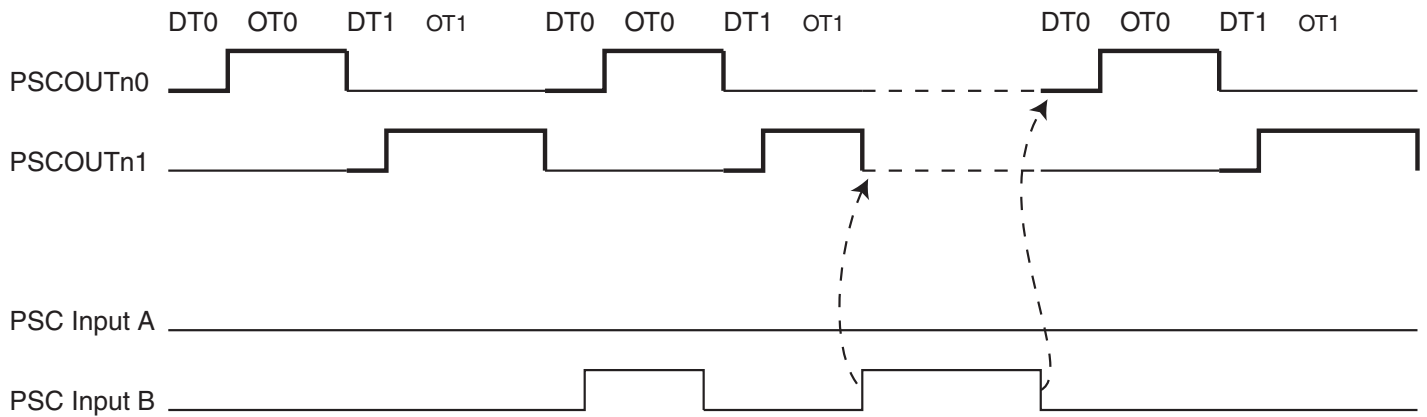
**Figure 16-20.** PSCn behaviour versus PSCn Input A in Fault Mode 1



PSC Input A is taken into account during DT0 and OT0 only. It has no effect during DT1 and OT1.

When PSC Input A event occurs, PSC releases PSCOUTn0, waits for PSC Input A inactive state and then jumps and executes DT1 plus OT1.

**Figure 16-21.** PSCn behaviour versus PSCn Input B in Fault Mode 1

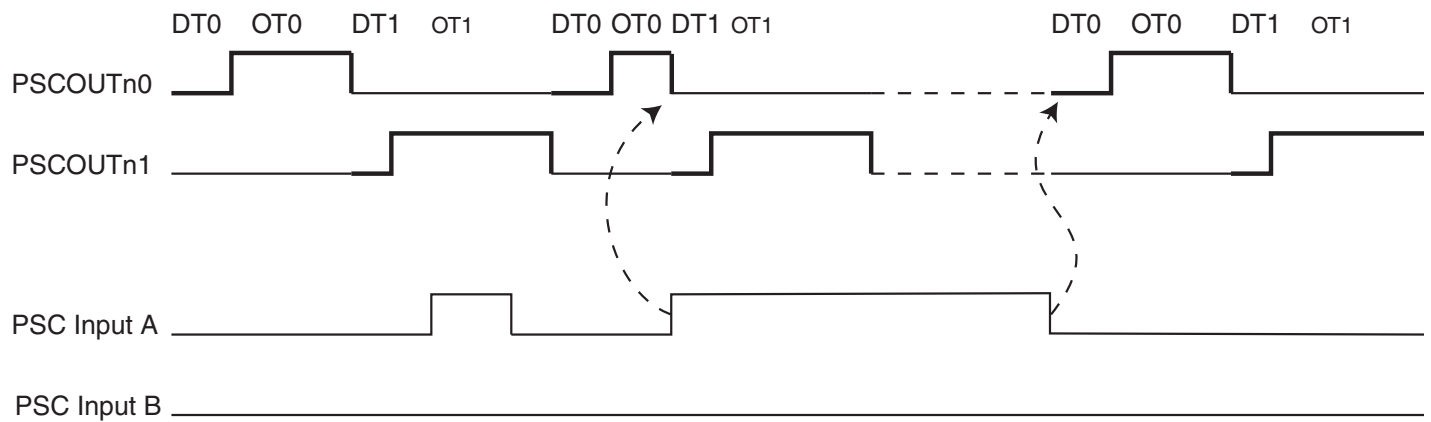


PSC Input B is take into account during DT1 and OT1 only. It has no effect during DT0 and OT0.

When PSC Input B event occurs, PSC releases PSCOUTn1, waits for PSC Input B inactive state and then jumps and executes DT0 plus OT0.

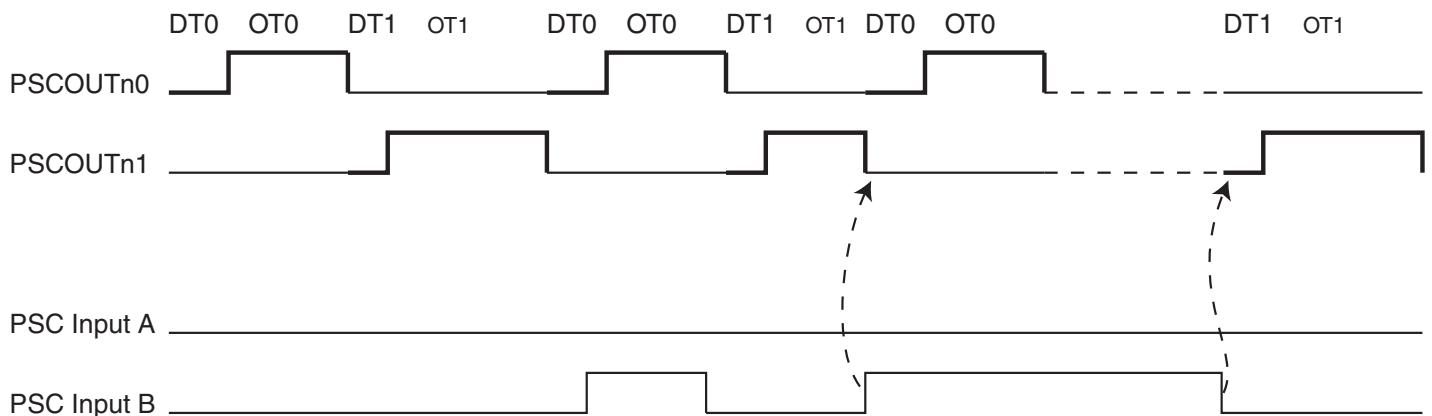
16.10 PSC Input Mode 2: Stop signal, Execute Opposite Dead-Time and Wait

Figure 16-22. PSCn behaviour versus PSCn Input A in Fault Mode 2



PSC Input A is take into account during DT0 and OT0 only. It has no effect during DT1 and OT1. When PSCn Input A event occurs, PSC releases PSCOUTn0, jumps and executes DT1 plus OT1 and then waits for PSC Input A inactive state. Even if PSC Input A is released during DT1 or OT1, DT1 plus OT1 sub-cycle is always completely executed.

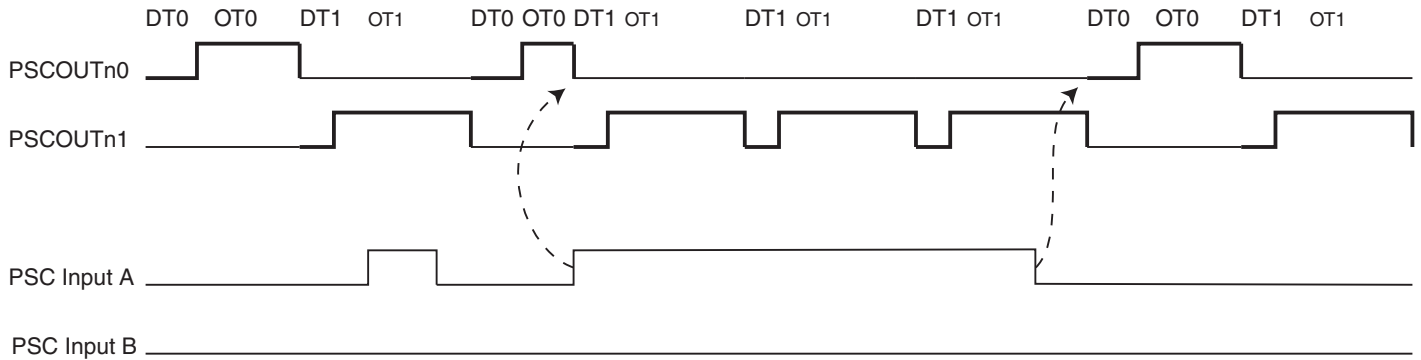
Figure 16-23. PSCn behaviour versus PSCn Input B in Fault Mode 2



PSC Input B is take into account during DT1 and OT1 only. It has no effect during DT0 and OT0. When PSC Input B event occurs, PSC releases PSCOUTn1, jumps and executes DT0 plus OT0 and then waits for PSC Input B inactive state. Even if PSC Input B is released during DT0 or OT0, DT0 plus OT0 sub-cycle is always completely executed.

## 16.11 PSC Input Mode 3: Stop signal, Execute Opposite while Fault active

**Figure 16-24.** PSCn behaviour versus PSCn Input A in Mode 3

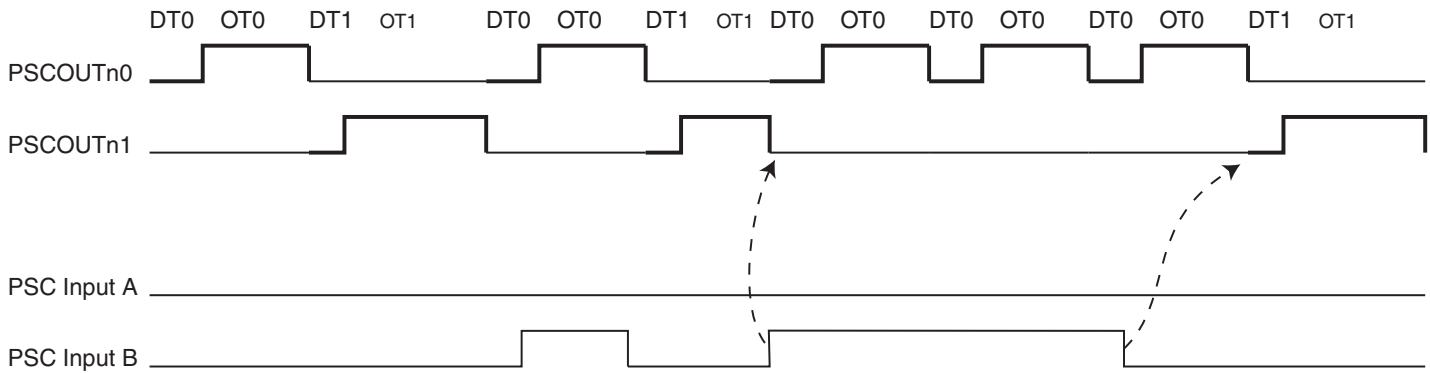


PSC Input A is taken into account during DT0 and OT0 only. It has no effect during DT1 and OT1.

When PSC Input A event occurs, PSC releases PSCOUTn0, jumps and executes DT1 plus OT1 plus DT0 while PSC Input A is in active state.

Even if PSC Input A is released during DT1 or OT1, DT1 plus OT1 sub-cycle is always completely executed.

**Figure 16-25.** PSCn behaviour versus PSCn Input B in Mode 3



PSC Input B is taken into account during DT1 and OT1 only. It has no effect during DT0 and OT0.

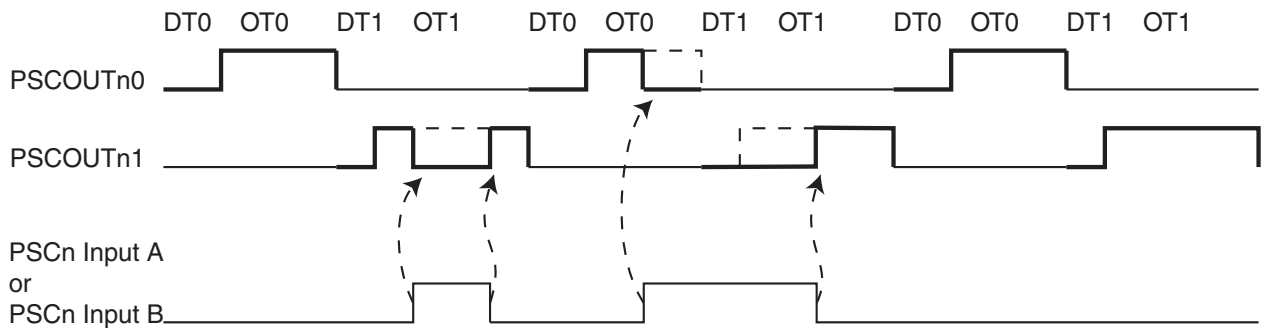
When PSC Input B event occurs, PSC releases PSCnOUT1, jumps and executes DT0 plus OT0 plus DT1 while PSC Input B is in active state.

Even if PSC Input B is released during DT0 or OT0, DT0 plus OT0 sub-cycle is always completely executed.

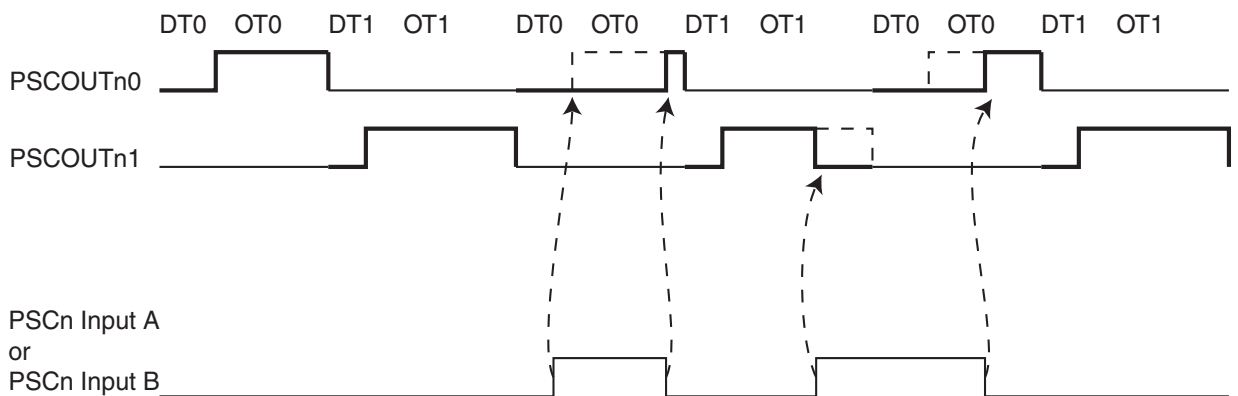
## 16.12 PSC Input Mode 4: Deactivate outputs without changing timing.



**Figure 16-26.** PSC behaviour versus PSCn Input A or Input B in Mode 4



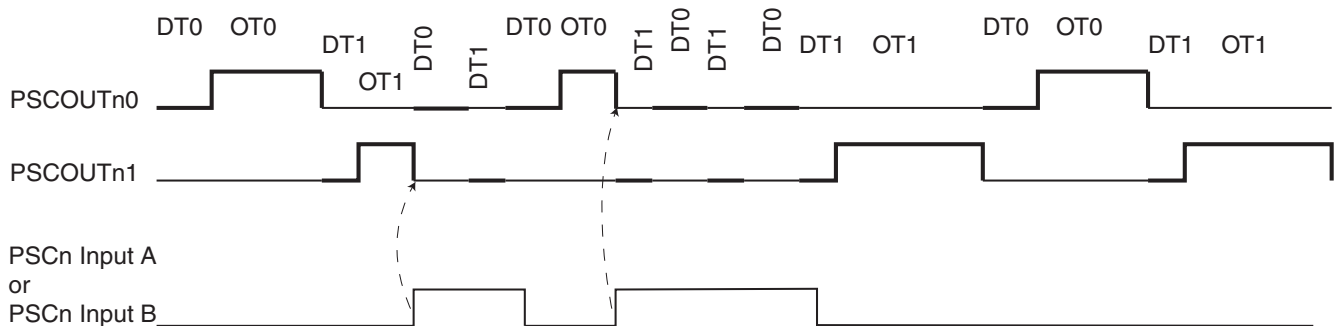
**Figure 16-27.** PSC behaviour versus PSCn Input A or Input B in Fault Mode 4



PSCn Input A or PSCn Input B act indifferently on On-Time0/Dead-Time0 or on On-Time1/Dead-Time1.

### 16.13 PSC Input Mode 5: Stop signal and Insert Dead-Time

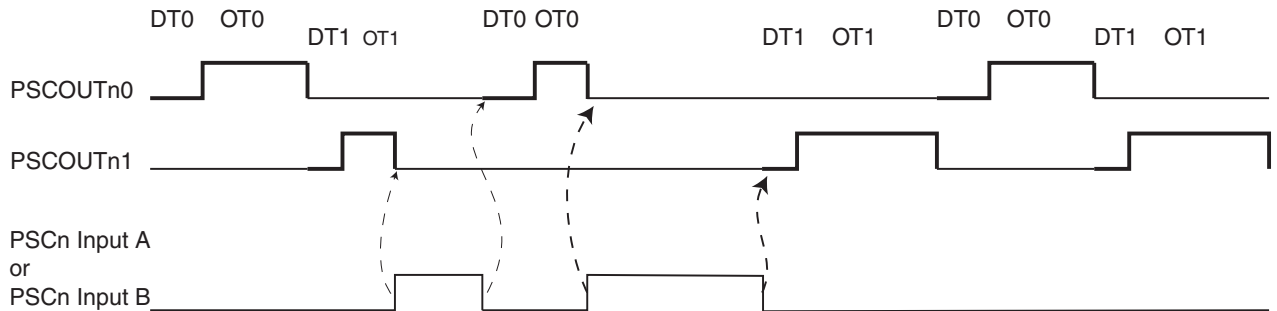
**Figure 16-28.** PSC behaviour versus PSCn Input A in Fault Mode 5



Used in Fault mode 5, PSCn Input A or PSCn Input B act indifferently on On-Time0/Dead-Time0 or on On-Time1/Dead-Time1.

## 16.14 PSC Input Mode 6: Stop signal, Jump to Opposite Dead-Time and Wait.

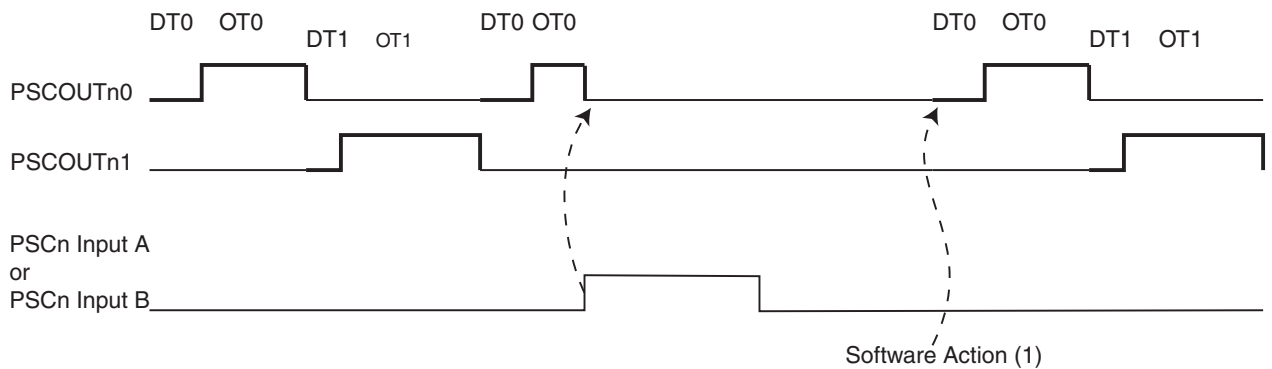
**Figure 16-29.** PSC behaviour versus PSCn Input A in Fault Mode 6



Used in Fault mode 6, PSCn Input A or PSCn Input B act indifferently on On-Time0/Dead-Time0 or on On-Time1/Dead-Time1.

## 16.15 PSC Input Mode 7: Halt PSC and Wait for Software Action

**Figure 16-30.** PSC behaviour versus PSCn Input A in Fault Mode 7

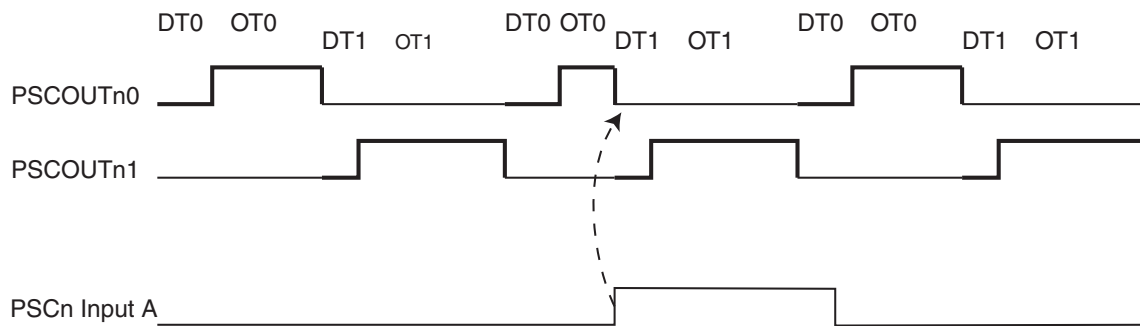


Note: 1. Software action is the setting of the PRUNn bit in PCTLn register.

Used in Fault mode 7, PSCn Input A or PSCn Input B act indifferently on On-Time0/Dead-Time0 or on On-Time1/Dead-Time1.

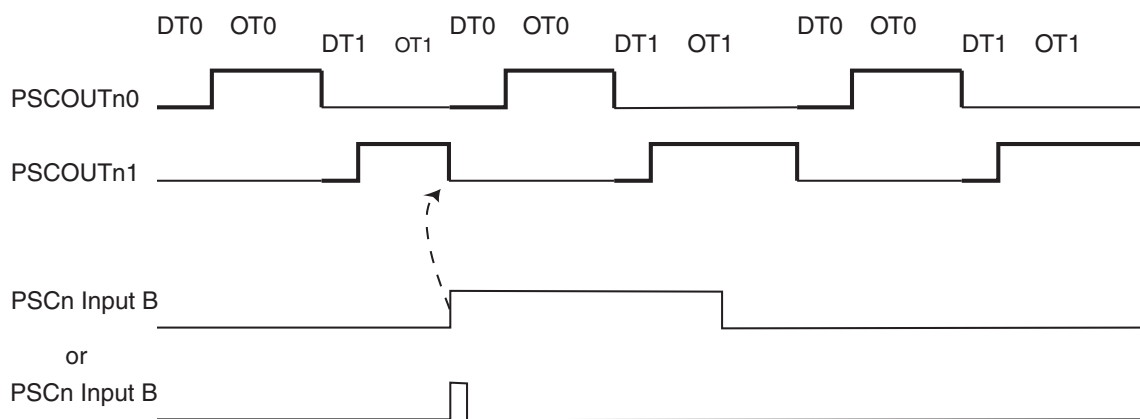
## 16.16 PSC Input Mode 8: Edge Retrigger PSC

**Figure 16-31.** PSC behaviour versus PSCn Input A in Mode 8



The output frequency is modulated by the occurrence of significant edge of retriggering input.

**Figure 16-32.** PSC behaviour versus PSCn Input B in Mode 8



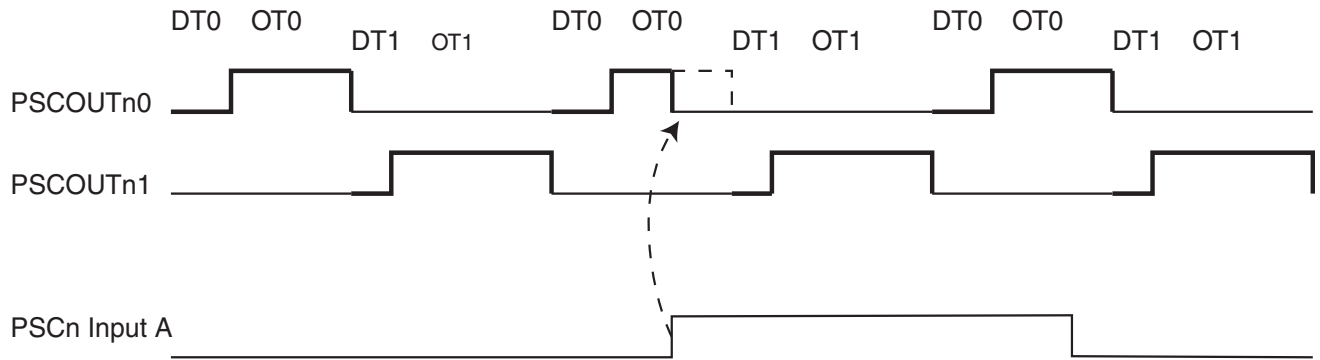
The output frequency is modulated by the occurrence of significant edge of retriggering input.

The retrigger event is taken into account only if it occurs during the corresponding On-Time.

Note: In one ramp mode, the retrigger event on input A resets the whole ramp. So the PSC doesn't jump to the opposite dead-time.

### 16.17 PSC Input Mode 9: Fixed Frequency Edge Retrigger PSC

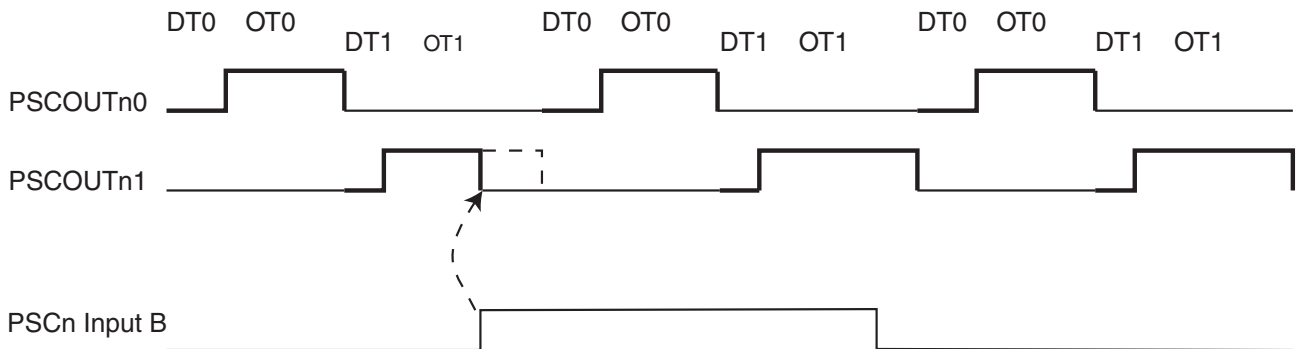
**Figure 16-33.** PSC behaviour versus PSCn Input A in Mode 9



The output frequency is not modified by the occurrence of significant edge of retriggering input. Only the output is deactivated when significant edge on retriggering input occurs.

Note: In this mode the output of the PSC becomes active during the next ramp even if the Retrigger/Fault input is active. Only the significant edge of Retrigger/Fault input is taken into account.

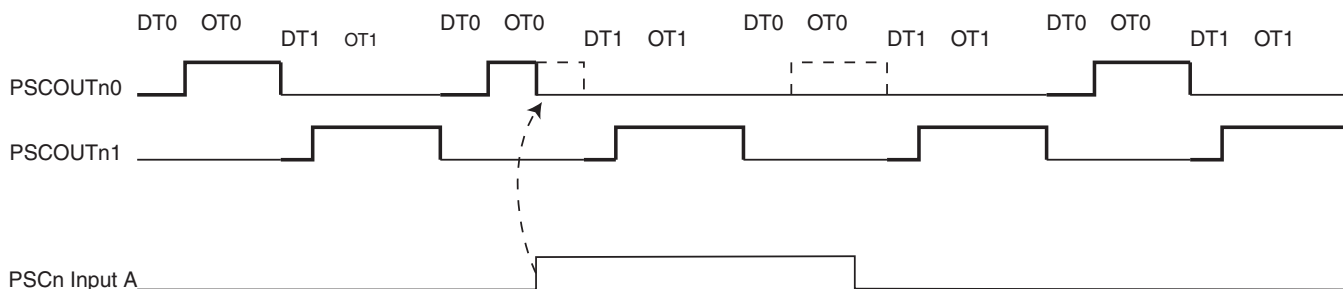
**Figure 16-34.** PSC behaviour versus PSCn Input B in Mode 9



The retrigger event is taken into account only if it occurs during the corresponding On-Time.

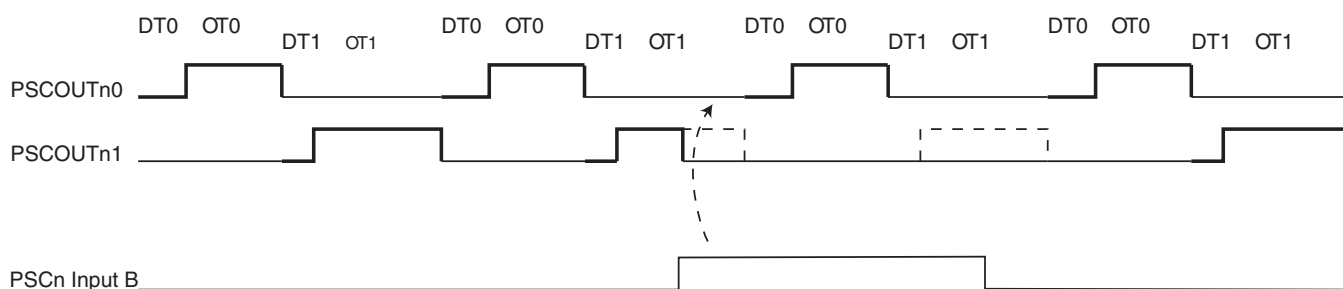
## 16.18 PSC Input Mode 14: Fixed Frequency Edge Retrigger PSC and Disactivate Output

**Figure 16-35.** PSC behaviour versus PSCn Input A in Mode 14



The output frequency is not modified by the occurrence of significant edge of retriggering input.

**Figure 16-36.** PSC behaviour versus PSCn Input B in Mode 14



The output is deactivated while retriggering input is active.

The output of the PSC is set to an inactive state and the corresponding ramp is not aborted. The output stays in an inactive state while the Retrigger/Fault input is active. The PSC runs at constant frequency.

### 16.18.1 Available Input Mode according to Running Mode

Some Input Modes are not consistent with some Running Modes. So the table below gives the input modes which are valid according to running modes..

**Table 16-7.** Available Input Modes according to Running Modes

Input Mode Number :	1 Ramp Mode	2 Ramp Mode	4 Ramp Mode	Centered Mode
1	Valid	Valid	Valid	Do not use
2	Do not use	Valid	Valid	Do not use
3	Do not use	Valid	Valid	Do not use
4	Valid	Valid	Valid	Valid
5	Do not use	Valid	Valid	Do not use

**Table 16-7.** Available Input Modes according to Running Modes

Input Mode Number :	1 Ramp Mode	2 Ramp Mode	4 Ramp Mode	Centered Mode
6	Do not use	Valid	Valid	Do not use
7	Valid	Valid	Valid	Valid
8	Valid	Valid	Valid	Do not use
9	Valid	Valid	Valid	Do not use
10	Do not use			
11				
12				
13				
14	Valid	Valid	Valid	Do not use
15	Do not use			

### 16.18.2 Event Capture

The PSC can capture the value of time (PSC counter) when a retrigger event or fault event occurs on PSC inputs. This value can be read by software in PICRnH/L register.

### 16.18.3 Using the Input Capture Unit

There are 2 ways to trigger a capture of the PSC counter in the PICRn Register.

- Hardware input capture triggered by a signal on PSC inputs.
- Software input capture triggered by the PCSTn bit

The main challenge when using the Input Capture unit is to assign enough processor capacity for handling the incoming events. The time between two events is critical. If the processor has not read the captured value in the PICRn Register before the next event occurs, the PICRn will be overwritten with a new value. In this case the result of the capture will be incorrect.

When using the Input Capture interrupt, the PICRn Register should be read as early in the interrupt handler routine as possible. Even though the Input Capture interrupt has relatively high priority, the maximum interrupt response time is dependent on the maximum number of clock cycles it takes to handle any of the other interrupt requests.

## 16.19 PSC2 Outputs

### 16.19.1 Output Matrix

PSC2 has an output matrix which allow in 4 ramp mode to program a value of PSCOUT20 and PSCOUT21 binary value for each ramp.

**Table 16-8.** Output Matrix versus ramp number

	Ramp 0	Ramp 1	Ramp 2	Ramp 3
PSCOUT20	POMV2A0	POMV2A1	POMV2A2	POMV2A3
PSCOUT21	POMV2B0	POMV2B1	POMV2B2	POMV2B3

PSCOUT2m takes the value given in Table 16-8. during all corresponding ramp. Thanks to the Output Matrix it is possible to generate all kind of PSCOUT20/PSCOUT21 combination.

When Output Matrix is used, the PSC n Output Polarity POPn has no action on the outputs.

### 16.19.2 PSCOUT22 & PSCOUT23 Selectors

PSC 2 has two supplementary outputs PSCOUT22 and PSCOUT23.

According to POS22 and POS23 bits in PSOC2 register, PSCOUT22 and PSCOUT23 duplicate PSCOUT20 and PSCOU21.

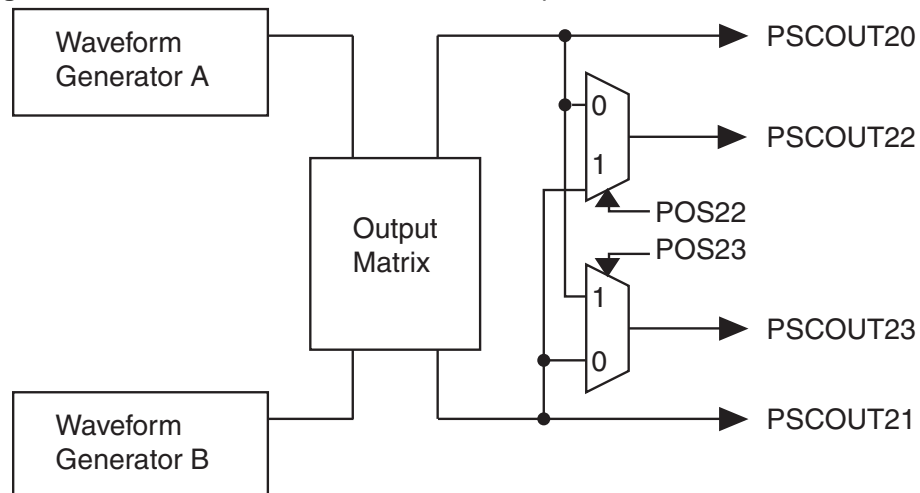
If POS22 bit in PSOC2 register is clear, PSCOUT22 duplicates PSCOUT20.

If POS22 bit in PSOC2 register is set, PSCOUT22 duplicates PSCOUT21.

If POS23 bit in PSOC2 register is clear, PSCOUT23 duplicates PSCOUT21.

If POS23 bit in PSOC2 register is set, PSCOUT23 duplicates PSCOUT20.

**Figure 16-37.** PSCOUT22 and PSCOUT23 Outputs



## 16.20 Analog Synchronization

PSC generates a signal to synchronize the sample and hold; synchronisation is mandatory for measurements.

This signal can be selected between all falling or rising edge of PSCn0 or PSCn1 outputs.

In center aligned mode, OCRnRAH/L is not used, so it can be used to specified the synchronization of the ADC. In this case, it's minimum value is 1.

## 16.21 Interrupt Handling

As each PSC can be dedicated for one function, each PSC has its own interrupt system (vector ...)

List of interrupt sources:

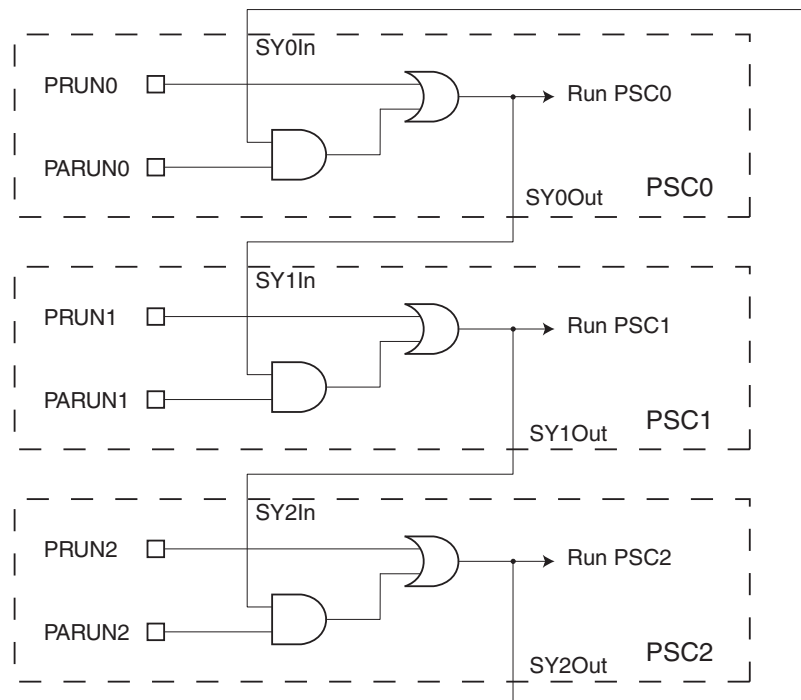
- Counter reload (end of On Time 1)
- PSC Input event (active edge or at the beginning of level configured event)
- PSC Mutual Synchronization Error

## 16.22 PSC Synchronization

2 or 3 PSC can be synchronized together. In this case, two waveform alignments are possible:

- The waveforms are center aligned in the Center Aligned mode if master and slaves are all with the same PSC period (which is the natural use).
- The waveforms are edge aligned in the 1, 2 or 4 ramp mode

**Figure 16-38.** PSC Run Synchronization



If the PSCm has its PARUNn bit set, then it can start at the same time than PSCn-1.



PRUNn and PARUNn bits are located in PCTLn register. See “PSC 0 Control Register – PCTL0” on page 166. See “PSC 1 Control Register – PCTL1” on page 167. See “PSC 2 Control Register – PCTL2” on page 168.

Note : Do not set the PARUNn bits on the three PSC at the same time.

Thanks to this feature, we can for example configure two PSC in slave mode (PARUNn = 1 / PRUNn = 0) and one PSC in master mode (PARUNm = 0 / PRUNm = 0). This PSC master can start all PSC at the same moment ( PRUNm = 1).

## 16.22.1 Fault events in Autorun mode

To complete this master/slave mechanism, fault event (input mode 7) is propagated from PSCn-1 to PSCn and from PSCn to PSCn-1.

A PSC which propagate a Run signal to the following PSC stops this PSC when the Run signal is deactivate.

According to the architecture of the PSC synchronization which build a “daisy-chain on the PSC run signal” between the three PSC, only the fault event (mode 7) which is able to “stop” the PSC through the PRUN bits is transmitted along this daisy-chain.

A PSC which receive its Run signal from the previous PSC transmits its fault signal (if enabled) to this previous PSC. So a slave PSC propagates its fault events when they are configured and enabled.

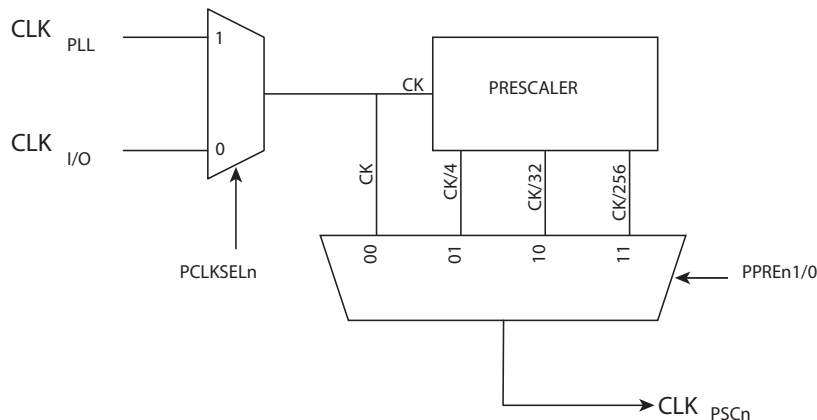
## 16.23 PSC Clock Sources

PSC must be able to generate high frequency with enhanced resolution.

Each PSC has two clock inputs:

- CLK PLL from the PLL
- CLK I/O

**Figure 16-39.** Clock selection



PCLKSELn bit in PSC n Configuration register (PCNFn) is used to select the clock source.

PPREn1/0 bits in PSC n Control Register (PCTLn) are used to select the divide factor of the clock.

**Table 16-9.** Output Clock versus Selection and Prescaler

PCLKSELn	PPREn1	PPREn0	CLKPSCn output
0	0	0	CLK I/O
0	0	1	CLK I/O / 4
0	1	0	CLK I/O / 32
0	1	1	CLK I/O / 256
1	0	0	CLK PLL
1	0	1	CLK PLL / 4
1	1	0	CLK PLL / 32
1	1	1	CLK PLL / 256

## 16.24 Interrupts

This section describes the specifics of the interrupt handling as performed in AT90PWM216/316.

### 16.24.1 List of Interrupt Vector

Each PSC provides 2 interrupt vectors

- **PSCn EC (End of Cycle)**: When enabled and when a match with OCRnRB occurs
- **PSCn CAPT (Capture Event)**: When enabled and one of the two following events occurs : retrigger, capture of the PSC counter or Synchro Error.

16.26.216.26.2 See PSCn Interrupt Mask Register [page 172](#) and PSCn Interrupt Flag Register [page 173](#).

### 16.24.2 PSC Interrupt Vectors in AT90PWM216/316

**Table 16-10.** PSC Interrupt Vectors

Vector No.	Program Address	Source	Interrupt Definition
-	-	-	-
2	0x0001	PSC2 CAPT	PSC2 Capture Event or Synchronization Error
3	0x0002	PSC2 EC	PSC2 End Cycle
4	0x0003	PSC1 CAPT	PSC1 Capture Event or Synchronization Error
5	0x0004	PSC1 EC	PSC1 End Cycle
6	0x0005	PSC0 CAPT	PSC0 Capture Event or Synchronization Error
7	0x0006	PSC0 EC	PSC0 End Cycle
-	-	-	-

## 16.25 PSC Register Definition

Registers are explained for PSC0. They are identical for PSC1. For PSC2 only different registers are described.

## 16.25.1 PSC 0 Synchro and Output Configuration – PSOC0

Bit	7	6	5	4	3	2	1	0	
	-	-	PSYNC01	PSYNC00	-	POEN0B	-	POEN0A	PSOC0
Read/Write	R/W	R/W	R/W	R/W	R/W	R/W	R/W	R/W	
Initial Value	0	0	0	0	0	0	0	0	

## 16.25.2 PSC 1 Synchro and Output Configuration – PSOC1

Bit	7	6	5	4	3	2	1	0	
	-	-	PSYNC11	PSYNC10	-	POEN1B	-	POEN1A	PSOC1
Read/Write	R/W	R/W	R/W	R/W	R/W	R/W	R/W	R/W	
Initial Value	0	0	0	0	0	0	0	0	

## 16.25.3 PSC 2 Synchro and Output Configuration – PSOC2

Bit	7	6	5	4	3	2	1	0	
	POS23	POS22	PSYNC21	PSYNC20	POEN2D	POEN2B	POEN2C	POEN2A	PSOC2
Read/Write	R/W	R/W	R/W	R/W	R/W	R/W	R/W	R/W	
Initial Value	0	0	0	0	0	0	0	0	

- **Bit 7 – POS23 : PSCOUT23 Selection (PSC2 only)**

When this bit is clear, PSCOUT23 outputs the waveform generated by Waveform Generator B.

When this bit is set, PSCOUT23 outputs the waveform generated by Waveform Generator A.

- **Bit 6 – POS22 : PSCOUT22 Selection (PSC2 only)**

When this bit is clear, PSCOUT22 outputs the waveform generated by Waveform Generator A.

When this bit is set, PSCOUT22 outputs the waveform generated by Waveform Generator B.

- **Bit 5:4 – PSYNCn1:0: Synchronization Out for ADC Selection**

Select the polarity and signal source for generating a signal which will be sent to the ADC for synchronization.

**Table 16-11.** Synchronization Source Description in One/Two/Four Ramp Modes

PSYNCn1	PSYNCn0	Description
0	0	Send signal on leading edge of PSCOUTn0 (match with OCRnSA)
0	1	Send signal on trailing edge of PSCOUTn0 (match with OCRnRA or fault/retrigger on part A)
1	0	Send signal on leading edge of PSCOUTn1 (match with OCRnSB)
1	1	Send signal on trailing edge of PSCOUTn1 (match with OCRnRB or fault/retrigger on part B)

**Table 16-12.** Synchronization Source Description in Centered Mode

PSYNCn1	PSYNCn0	Description
0	0	Send signal on match with OCRnRA (during counting down of PSC). The min value of OCRnRA must be 1.
0	1	Send signal on match with OCRnRA (during counting up of PSC). The min value of OCRnRA must be 1.
1	0	no synchronization signal
1	1	no synchronization signal

- **Bit 3 – POEN2D : PSCOUT23 Output Enable (PSC2 only)**

When this bit is clear, second I/O pin affected to PSCOUT23 acts as a standard port.

When this bit is set, second I/O pin affected to PSCOUT23 is connected to the PSC waveform generator B output and is set and clear according to the PSC operation.

- **Bit 2 – POENnB: PSC n OUT Part B Output Enable**

When this bit is clear, I/O pin affected to PSCOUTn1 acts as a standard port.

When this bit is set, I/O pin affected to PSCOUTn1 is connected to the PSC waveform generator B output and is set and clear according to the PSC operation.

- **Bit 1 – POEN2C : PSCOUT22 Output Enable (PSC2 only)**

When this bit is clear, second I/O pin affected to PSCOUT22 acts as a standard port.

When this bit is set, second I/O pin affected to PSCOUT22 is connected to the PSC waveform generator A output and is set and clear according to the PSC operation.

- **Bit 0 – POENnA: PSC n OUT Part A Output Enable**

When this bit is clear, I/O pin affected to PSCOUTn0 acts as a standard port.

When this bit is set, I/O pin affected to PSCOUTn0 is connected to the PSC waveform generator A output and is set and clear according to the PSC operation.

#### 16.25.4 Output Compare SA Register – OCRnSAH and OCRnSAL

Bit	7	6	5	4	3	2	1	0	
	-	-	-	-	OCRnSA[11:8]				OCRnSAH
	OCRnSA[7:0]								OCRnSAL
Read/Write	W	W	W	W	W	W	W	W	
Initial Value	0	0	0	0	0	0	0	0	

#### 16.25.5 Output Compare RA Register – OCRnRAH and OCRnRAL

Bit	7	6	5	4	3	2	1	0	
	-	-	-	-	OCRnRA[11:8]				OCRnRAH
	OCRnRA[7:0]								OCRnRAL
Read/Write	W	W	W	W	W	W	W	W	
Initial Value	0	0	0	0	0	0	0	0	

#### 16.25.6 Output Compare SB Register – OCRnSBH and OCRnSBL

Bit	7	6	5	4	3	2	1	0	
	-	-	-	-	OCRnSB[11:8]				OCRnSBH
	OCRnSB[7:0]								OCRnSBL
Read/Write	W	W	W	W	W	W	W	W	
Initial Value	0	0	0	0	0	0	0	0	

#### 16.25.7 Output Compare RB Register – OCRnRBH and OCRnRBL

Bit	7	6	5	4	3	2	1	0	
	OCRnRB[15:12]				OCRnRB[11:8]				OCRnRBH
	OCRnRB[7:0]								OCRnRBL
Read/Write	W	W	W	W	W	W	W	W	
Initial Value	0	0	0	0	0	0	0	0	

Note : n = 0 to 2 according to PSC number.

The Output Compare Registers RA, RB, SA and SB contain a 12-bit value that is continuously compared with the PSC counter value. A match can be used to generate an Output Compare interrupt, or to generate a waveform output on the associated pin.

The Output Compare Registers RB contains also a 4-bit value that is used for the flank width modulation.

The Output Compare Registers are 16bit and 12-bit in size. To ensure that both the high and low bytes are written simultaneously when the CPU writes to these registers, the access is performed using an 8-bit temporary high byte register (TEMP). This temporary register is shared by all the other 16-bit registers.

## 16.25.8 PSC 0 Configuration Register – PCNF0

Bit	7	6	5	4	3	2	1	0	
	<b>PFIFTY0</b>	<b>PALOCK0</b>	<b>PLOCK0</b>	<b>PMODE01</b>	<b>PMODE00</b>	<b>POP0</b>	<b>PCLKSEL0</b>	-	<b>PCNF0</b>
Read/Write	R/W	R/W	R/W	R/W	R/W	R/W	R/W	R/W	
Initial Value	0	0	0	0	0	0	0	0	

## 16.25.9 PSC 1 Configuration Register – PCNF1

Bit	7	6	5	4	3	2	1	0	
	<b>PFIFTY1</b>	<b>PALOCK1</b>	<b>PLOCK1</b>	<b>PMODE11</b>	<b>PMODE10</b>	<b>POP1</b>	<b>PCLKSEL1</b>	-	<b>PCNF1</b>
Read/Write	R/W	R/W	R/W	R/W	R/W	R/W	R/W	R/W	
Initial Value	0	0	0	0	0	0	0	0	

## 16.25.10 PSC 2 Configuration Register – PCNF2

Bit	7	6	5	4	3	2	1	0	
	<b>PFIFTY2</b>	<b>PALOCK2</b>	<b>PLOCK2</b>	<b>PMODE21</b>	<b>PMODE20</b>	<b>POP2</b>	<b>PCLKSEL2</b>	<b>POME2</b>	<b>PCNF2</b>
Read/Write	R/W	R/W	R/W	R/W	R/W	R/W	R/W	R/W	
Initial Value	0	0	0	0	0	0	0	0	

The PSC n Configuration Register is used to configure the running mode of the PSC.

- **Bit 7 - PFIFTYn: PSC n Fifty**

Writing this bit to one, set the PSC in a fifty percent mode where only OCRnRBH/L and OCRnSBH/L are used. They are duplicated in OCRnRAH/L and OCRnSAH/L during the update of OCRnRBH/L. This feature is useful to perform fifty percent waveforms.

- **Bit 6 - PALOCKn: PSC n Autolock**

When this bit is set, the Output Compare Registers RA, SA, SB, the Output Matrix POM2 and the PSC Output Configuration PSOCn can be written without disturbing the PSC cycles. The update of the PSC internal registers will be done at the end of the PSC cycle if the Output Compare Register RB has been the last written.

When set, this bit prevails over LOCK (bit 5)

- **Bit 5 – PLOCKn: PSC n Lock**

When this bit is set, the Output Compare Registers RA, RB, SA, SB, the Output Matrix POM2 and the PSC Output Configuration PSOCn can be written without disturbing the PSC cycles. The update of the PSC internal registers will be done if the LOCK bit is released to zero.

- **Bit 4:3 – PMODEn1: 0: PSC n Mode**

Select the mode of PSC.

**Table 16-13.** PSC n Mode Selection

PMODEn1	PMODEn0	Description
0	0	One Ramp Mode
0	1	Two Ramp Mode
1	0	Four Ramp Mode
1	1	Center Aligned Mode

- **Bit 2 – POPn: PSC n Output Polarity**

If this bit is cleared, the PSC outputs are active Low.

If this bit is set, the PSC outputs are active High.

- **Bit 1 – PCLKSELn: PSC n Input Clock Select**

This bit is used to select between CLKPF or CLKPS clocks.

Set this bit to select the fast clock input (CLKPF).

Clear this bit to select the slow clock input (CLKPS).

- **Bit 0 – POME2: PSC 2 Output Matrix Enable (PSC2 only)**

Set this bit to enable the Output Matrix feature on PSC2 outputs. See [“PSC2 Outputs” on page 159](#).

When Output Matrix is used, the PSC n Output Polarity POPn has no action on the outputs.

### 16.25.11 PSC 0 Control Register – PCTL0

Bit	7	6	5	4	3	2	1	0	
	PPRE01	PPRE00	PBFM0	PAOC0B	PAOC0A	PARUN0	PCCYC0	PRUN0	PCTL0
Read/Write	R/W	R/W	R/W	R/W	R/W	R/W	R/W	R/W	
Initial Value	0	0	0	0	0	0	0	0	

- **Bit 7:6 – PPRE01:0 : PSC 0 Prescaler Select**

This two bits select the PSC input clock division factor. All generated waveform will be modified by this factor.

**Table 16-14.** PSC 0 Prescaler Selection

PPRE01	PPRE00	Description
0	0	No divider on PSC input clock
0	1	Divide the PSC input clock by 4
1	0	Divide the PSC input clock by 16
1	1	Divide the PSC clock by 64

- **Bit 5 – PBFM0 : Balance Flank Width Modulation**

When this bit is clear, Flank Width Modulation operates on On-Time 1 only.

When this bit is set, Flank Width Modulation operates on On-Time 0 and On-Time 1.

- **Bit 4 – PAOC0B : PSC 0 Asynchronous Output Control B**

When this bit is set, Fault input selected to block B can act directly to PSCOUT01 output. See Section “PSC Input Configuration”, page 148.

- **Bit 3 – PAOC0A : PSC 0 Asynchronous Output Control A**

When this bit is set, Fault input selected to block A can act directly to PSCOUT00 output. See Section “PSC Input Configuration”, page 148.

- **Bit 2 – PARUN0 : PSC 0 Autorun**

When this bit is set, the PSC 0 starts with PSC2. That means that PSC 0 starts :

- when PRUN2 bit in PCTL2 is set,
- or when PARUN2 bit in PCTL2 is set and PRUN1 bit in PCTL1 register is set.

Thanks to this bit, 2 or 3 PSCs can be synchronized (motor control for example)

- **Bit 1 – PCCYC0 : PSC 0 Complete Cycle**

When this bit is set, the PSC 0 completes the entire waveform cycle before halt operation requested by clearing PRUN0. This bit is not relevant in slave mode (PARUN0 = 1).

- **Bit 0 – PRUN0 : PSC 0 Run**

Writing this bit to one starts the PSC 0.

When set, this bit prevails over PARUN0 bit.

## 16.25.12 PSC 1 Control Register – PCTL1

Bit	7	6	5	4	3	2	1	0	
	<b>PPRE11 PPRE10 PBFM1 PAOC1B PAOC1A PARUN1 PCCYC1 PRUN1</b>								PCTL1
Read/Write	R/W	R/W	R/W	R/W	R/W	R/W	R/W	R/W	
Initial Value	0	0	0	0	0	0	0	0	

- **Bit 7:6 – PPRE11:0 : PSC 1 Prescaler Select**

This two bits select the PSC input clock division factor. All generated waveform will be modified by this factor.

**Table 16-15.** PSC 1 Prescaler Selection

PPRE11	PPRE10	Description
0	0	No divider on PSC input clock
0	1	Divide the PSC input clock by 4
1	0	Divide the PSC input clock by 16
1	1	Divide the PSC clock by 64

- **Bit 5 – PBFM1 : Balance Flank Width Modulation**

When this bit is clear, Flank Width Modulation operates on On-Time 1 only.

When this bit is set, Flank Width Modulation operates on On-Time 0 and On-Time 1.

- **Bit 4 – PAOC1B : PSC 1 Asynchronous Output Control B**

When this bit is set, Fault input selected to block B can act directly to PSCOUT11 output. See Section “PSC Clock Sources”, page 161

- **Bit 3 – PAOC1A : PSC 1 Asynchronous Output Control A**

When this bit is set, Fault input selected to block A can act directly to PSCOUT10 output. See Section “PSC Clock Sources”, page 161

- **Bit 2 – PARUN1 : PSC 1 Autorun**

When this bit is set, the PSC 1 starts with PSC0. That means that PSC 1 starts :

- when PRUN0 bit in PCTL0 register is set,
- or when PARUN0 bit in PCTL0 is set and PRUN2 bit in PCTL2 register is set.

Thanks to this bit, 2 or 3 PSCs can be synchronized (motor control for example)

- **Bit 1 – PCCYC1 : PSC 1 Complete Cycle**

When this bit is set, the PSC 1 completes the entire waveform cycle before halt operation requested by clearing PRUN1. This bit is not relevant in slave mode (PARUN1 = 1).

- **Bit 0 – PRUN1 : PSC 1 Run**

Writing this bit to one starts the PSC 1.

When set, this bit prevails over PARUN1 bit.

### 16.25.13 PSC 2 Control Register – PCTL2

Bit	7	6	5	4	3	2	1	0	
	<b>PPRE21   PPRE20   PBFM2   PAOC2B   PAOC2A   PARUN2   PCCYC2   PRUN2</b>								PCTL2
Read/Write	R/W	R/W	R/W	R/W	R/W	R/W	R/W	R/W	
Initial Value	0	0	0	0	0	0	0	0	

- **Bit 7:6 – PPRE21:0 : PSC 2 Prescaler Select**

This two bits select the PSC input clock division factor. All generated waveform will be modified by this factor.

**Table 16-16.** PSC 2 Prescaler Selection

PPRE21	PPRE20	Description
0	0	No divider on PSC input clock
0	1	Divide the PSC input clock by 4
1	0	Divide the PSC input clock by 16
1	1	Divide the PSC clock by 64

- **Bit 5 – PBFM2 : Balance Flank Width Modulation**

When this bit is clear, Flank Width Modulation operates on On-Time 1 only.

When this bit is set, Flank Width Modulation operates on On-Time 0 and On-Time 1.

- **Bit 4 – PAOC2B : PSC 2 Asynchronous Output Control B**

When this bit is set, Fault input selected to block B can act directly to PSCOUT21 and PSCOUT23 outputs. See Section “PSC Clock Sources”, page 161.

- **Bit 3 – PAOC2A : PSC 2 Asynchronous Output Control A**

When this bit is set, Fault input selected to block A can act directly to PSCOUT20 and PSCOUT22 outputs. See Section “PSC Clock Sources”, page 161.



- **Bit 2 – PARUN2 : PSC 2 Autorun**

When this bit is set, the PSC 2 starts with PSC1. That means that PSC 2 starts :

- when PRUN1 bit in PCTL1 register is set,
- or when PARUN1 bit in PCTL1 is set and PRUN0 bit in PCTL0 register is set.

- **Bit 1 – PCCYC2 : PSC 2 Complete Cycle**

When this bit is set, the PSC 2 completes the entire waveform cycle before halt operation requested by clearing PRUN2. This bit is not relevant in slave mode (PARUN2 = 1).

- **Bit 0 – PRUN2 : PSC 2 Run**

Writing this bit to one starts the PSC 2.

When set, this bit prevails over PARUN2 bit.

### 16.25.14 PSC n Input A Control Register – PFRCnA

Bit	7	6	5	4	3	2	1	0	
	<b>PCAE nA</b>	<b>PISEL nA</b>	<b>PELEV nA</b>	<b>PFLTE nA</b>	<b>PRFM nA3</b>	<b>PRFM nA2</b>	<b>PRFM nA1</b>	<b>PRFM nA0</b>	PFRCnA
Read/Write	R/W	R/W	R/W	R/W	R/W	R/W	R/W	R/W	
Initial Value	0	0	0	0	0	0	0	0	

### 16.25.15 PSC n Input B Control Register – PFRCnB

Bit	7	6	5	4	3	2	1	0	
	<b>PCAE nB</b>	<b>PISEL nB</b>	<b>PELEV nB</b>	<b>PFLTE nB</b>	<b>PRFM nB3</b>	<b>PRFM nB2</b>	<b>PRFM nB1</b>	<b>PRFM nB0</b>	PFRCnB
Read/Write	R/W	R/W	R/W	R/W	R/W	R/W	R/W	R/W	
Initial Value	0	0	0	0	0	0	0	0	

The Input Control Registers are used to configure the 2 PSC's Retrigger/Fault block A & B. The 2 blocks are identical, so they are configured on the same way.

- **Bit 7 – PCAEnx : PSC n Capture Enable Input Part x**

Writing this bit to one enables the capture function when external event occurs on input selected as input for Part x (see PISELnx bit in the same register).

- **Bit 6 – PISELnx : PSC n Input Select for Part x**

Clear this bit to select PSCINn as input of Fault/Retrigger block x.

Set this bit to select Comparator n Output as input of Fault/Retrigger block x.

- **Bit 5 –PELEVnx : PSC n Edge Level Selector of Input Part x**

When this bit is clear, the falling edge or low level of selected input generates the significative event for retrigger or fault function .

When this bit is set, the rising edge or high level of selected input generates the significative event for retrigger or fault function.

- **Bit 4 – PFLTE nX : PSC n Filter Enable on Input Part x**

Setting this bit (to one) activates the Input Capture Noise Canceler. When the noise canceler is activated, the input from the retrigger pin is filtered. The filter function requires four successive equal valued samples of the retrigger pin for changing its output. The Input Capture is therefore delayed by four oscillator cycles when the noise canceler is enabled.

• **Bit 3:0 – PRFMnx3:0: PSC n Fault Mode**

These four bits define the mode of operation of the Fault or Retrigger functions.

(see PSC Functional Specification for more explanations)

**Table 16-17.** Level Sensitivity and Fault Mode Operation

PRFMnx3:0	Description
0000b	No action, PSC Input is ignored
0001b	PSC Input Mode 1: Stop signal, Jump to Opposite Dead-Time and Wait
0010b	PSC Input Mode 2: Stop signal, Execute Opposite Dead-Time and Wait
0011b	PSC Input Mode 3: Stop signal, Execute Opposite while Fault active
0100b	PSC Input Mode 4: Deactivate outputs without changing timing.
0101b	PSC Input Mode 5: Stop signal and Insert Dead-Time
0110b	PSC Input Mode 6: Stop signal, Jump to Opposite Dead-Time and Wait.
0111b	PSC Input Mode 7: Halt PSC and Wait for Software Action
1000b	PSC Input Mode 8: Edge Retrigger PSC
1001b	PSC Input Mode 9: Fixed Frequency Edge Retrigger PSC
1010b	Reserved (do not use)
1011b	
1100b	
1101b	
1110b	PSC Input Mode 14: Fixed Frequency Edge Retrigger PSC and Disactivate Output
1111b	Reserved (do not use)

**16.25.16 PSC 0 Input Capture Register – PICR0H and PICR0L**

Bit	7	6	5	4	3	2	1	0	
	PCST0	-	-	-	PICR0[11:8]				PICR0H
	PICR0[7:0]								PICR0L
Read/Write	R	R	R	R	R	R	R	R	
Initial Value	0	0	0	0	0	0	0	0	

## 16.25.17 PSC 1 Input Capture Register – PICR1H and PICR1L

Bit	7	6	5	4	3	2	1	0	
	PCST1				PICR1[11:8]				PICR1H PICR1L
	PICR1[7:0]								
Read/Write	R	R	R	R	R	R	R	R	
Initial Value	0	0	0	0	0	0	0	0	

## 16.25.18 PSC 2 Input Capture Register – PICR2H and PICR2L

Bit	7	6	5	4	3	2	1	0	
	PCST2				PICR2[11:8]				PICR2H PICR2L
	PICR2[7:0]								
Read/Write	R	R	R	R	R	R	R	R	
Initial Value	0	0	0	0	0	0	0	0	

- **Bit 7 – PCSTn : PSC Capture Software Trig bit**

Set this bit to trigger off a capture of the PSC counter. When reading, if this bit is set it means that the capture operation was triggered by PCSTn setting otherwise it means that the capture operation was triggered by a PSC input.

The Input Capture is updated with the PSC counter value each time an event occurs on the enabled PSC input pin (or optionally on the Analog Comparator output) if the capture function is enabled (bit PCAEnx in PFRcnx register is set).

The Input Capture Register is 12-bit in size. To ensure that both the high and low bytes are read simultaneously when the CPU accesses these registers, the access is performed using an 8-bit temporary high byte register (TEMP). This temporary register is shared by all the other 16-bit or 12-bit registers.

## 16.26 PSC2 Specific Register

### 16.26.1 PSC 2 Output Matrix – POM2

Bit	7	6	5	4	3	2	1	0	
	POMV2B3	POMV2B2	POMV2B1	POMV2B0	POMV2A3	POMV2A2	POMV2A1	POMV2A0	POM2
Read/Write	R/W	R/W	R/W	R/W	R/W	R/W	R/W	R/W	
Initial Value	0	0	0	0	0	0	0	0	

- **Bit 7 – POMV2B3: Output Matrix Output B Ramp 3**

This bit gives the state of the PSCOUT21 (and/or PSCOUT23) during ramp 3

- **Bit 6 – POMV2B2: Output Matrix Output B Ramp 2**

This bit gives the state of the PSCOUT21 (and/or PSCOUT23) during ramp 2

- **Bit 5 – POMV2B1: Output Matrix Output B Ramp 1**

This bit gives the state of the PSCOUT21 (and/or PSCOUT23) during ramp 1

- **Bit 4 – POMV2B0: Output Matrix Output B Ramp 0**

This bit gives the state of the PSCOUT21 (and/or PSCOUT23) during ramp 0

- **Bit 3 – POMV2A3: Output Matrix Output A Ramp 3**

This bit gives the state of the PSCOUT20 (and/or PSCOUT22) during ramp 3

- **Bit 2 – POMV2A2: Output Matrix Output A Ramp 2**

This bit gives the state of the PSCOUT20 (and/or PSCOUT22) during ramp 2

- **Bit 1 – POMV2A1: Output Matrix Output A Ramp 1**

This bit gives the state of the PSCOUT20 (and/or PSCOUT22) during ramp 1

- **Bit 0 – POMV2A0: Output Matrix Output A Ramp 0**

This bit gives the state of the PSCOUT20 (and/or PSCOUT22) during ramp 0

### 16.26.2 PSC0 Interrupt Mask Register – PIM0

Bit	7	6	5	4	3	2	1	0	
	-	-	PSEIE0	PEVE0B	PEVE0A	-	-	PEOPE0	PIM0
Read/Write	R	R	R/W	R/W	R/W	R	R	R/W	
Initial Value	0	0	0	0	0	0	0	0	

### 16.26.3 PSC1 Interrupt Mask Register – PIM1

Bit	7	6	5	4	3	2	1	0	
	-	-	PSEIE1	PEVE1B	PEVE1A	-	-	PEOPE1	PIM1
Read/Write	R	R	R/W	R/W	R/W	R	R	R/W	
Initial Value	0	0	0	0	0	0	0	0	

### 16.26.4 PSC2 Interrupt Mask Register – PIM2

Bit	7	6	5	4	3	2	1	0	
	-	-	PSEIE2	PEVE2B	PEVE2A	-	-	PEOPE2	PIM2
Read/Write	R	R	R/W	R/W	R/W	R	R	R/W	
Initial Value	0	0	0	0	0	0	0	0	

- **Bit 5 – PSEIE<sub>n</sub> : PSC n Synchro Error Interrupt Enable**

When this bit is set, the PSEIn bit (if set) generate an interrupt.

- **Bit 4 – PEVE<sub>n</sub>B : PSC n External Event B Interrupt Enable**

When this bit is set, an external event which can generates a capture from Retrigger/Fault block B generates also an interrupt.

- **Bit 3 – PEVE<sub>n</sub>A : PSC n External Event A Interrupt Enable**

When this bit is set, an external event which can generates a capture from Retrigger/Fault block A generates also an interrupt.

- **Bit 0 – PEOPE<sub>n</sub> : PSC n End Of Cycle Interrupt Enable**

When this bit is set, an interrupt is generated when PSC reaches the end of the whole cycle.

### 16.26.5 PSC0 Interrupt Flag Register – PIFR0

Bit	7	6	5	4	3	2	1	0	
	POAC0B	POAC0A	PSEI0	PEV0B	PEV0A	PRN01	PRN00	PEOP2	PIFR0
Read/Write	R	R	R/W	R/W	R/W	R	R	R/W	
Initial Value	0	0	0	0	0	0	0	0	

## 16.26.6 PSC1 Interrupt Flag Register – PIFR1

Bit	7	6	5	4	3	2	1	0	
	<b>POAC1B</b>	<b>POAC1A</b>	<b>PSEI1</b>	<b>PEV1B</b>	<b>PEV1A</b>	<b>PRN11</b>	<b>PRN10</b>	<b>PEOP1</b>	PIFR1
Read/Write	R	R	R/W	R/W	R/W	R	R	R/W	
Initial Value	0	0	0	0	0	0	0	0	

## 16.26.7 PSC2 Interrupt Flag Register – PIFR2

Bit	7	6	5	4	3	2	1	0	
	<b>POAC2B</b>	<b>POAC2A</b>	<b>PSEI2</b>	<b>PEV2B</b>	<b>PEV2A</b>	<b>PRN21</b>	<b>PRN20</b>	<b>PEOP2</b>	PIFR2
Read/Write	R	R	R/W	R/W	R/W	R	R	R/W	
Initial Value	0	0	0	0	0	0	0	0	

- **Bit 7 – POACnB : PSC n Output B Activity**

This bit is set by hardware each time the output PSCOUTn1 changes from 0 to 1 or from 1 to 0.

Must be cleared by software by writing a one to its location.

This feature is useful to detect that a PSC output doesn't change due to a frozen external input signal.

- **Bit 6 – POACnA : PSC n Output A Activity**

This bit is set by hardware each time the output PSCOUTn0 changes from 0 to 1 or from 1 to 0.

Must be cleared by software by writing a one to its location.

This feature is useful to detect that a PSC output doesn't change due to a frozen external input signal.

- **Bit 5 – PSEIn : PSC n Synchro Error Interrupt**

This bit is set by hardware when the update (or end of PSC cycle) of the PSCn configured in auto run (PARUNn = 1) does not occur at the same time than the PSCn-1 which has generated the input run signal. (For PSC0, PSCn-1 is PSC2).

Must be cleared by software by writing a one to its location.

This feature is useful to detect that a PSC doesn't run at the same speed or with the same phase than the PSC master.

- **Bit 4 – PEVnB : PSC n External Event B Interrupt**

This bit is set by hardware when an external event which can generate a capture or a retrigger from Retrigger/Fault block B occurs.

Must be cleared by software by writing a one to its location.

This bit can be read even if the corresponding interrupt is not enabled (PEVENB bit = 0).

- **Bit 3 – PEVnA : PSC n External Event A Interrupt**

This bit is set by hardware when an external event which can generate a capture or a retrigger from Retrigger/Fault block A occurs.

Must be cleared by software by writing a one to its location.

This bit can be read even if the corresponding interrupt is not enabled (PEVENA bit = 0).

- **Bit 2:1 – PRNn1:0 : PSC n Ramp Number**

Memorization of the ramp number when the last PEVnA or PEVnB occurred.

**Table 16-18.** PSC n Ramp Number Description

PRNn1	PRNn0	Description
0	0	The last event which has generated an interrupt occurred during ramp 1
0	1	The last event which has generated an interrupt occurred during ramp 2
1	0	The last event which has generated an interrupt occurred during ramp 3
1	1	The last event which has generated an interrupt occurred during ramp 4

- **Bit 0 – PEOPn: End Of PSC n Interrupt**

This bit is set by hardware when PSC n achieves its whole cycle.

Must be cleared by software by writing a one to its location.

## 17. Serial Peripheral Interface – SPI

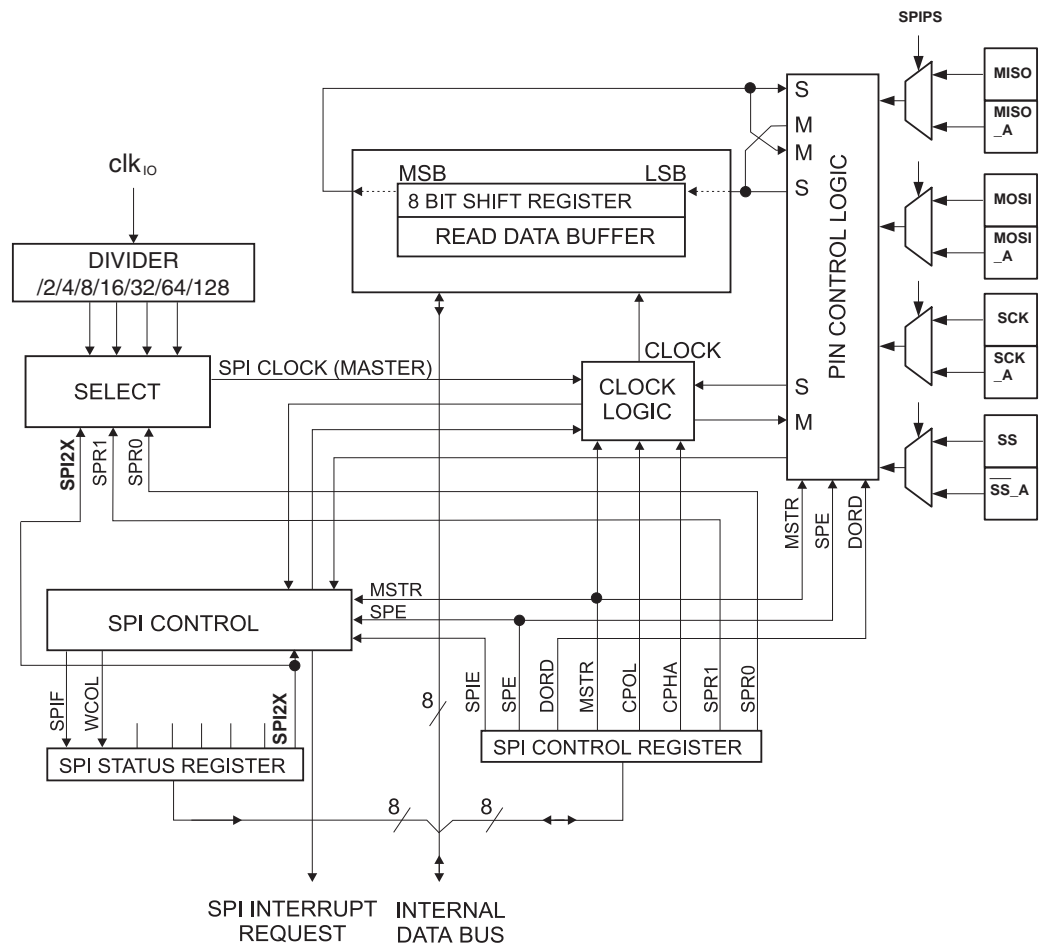
The Serial Peripheral Interface (SPI) allows high-speed synchronous data transfer between the AT90PWM216/316 and peripheral devices or between several AVR devices.

The AT90PWM216/316 SPI includes the following features:

### 17.1 Features

- Full-duplex, Three-wire Synchronous Data Transfer
- Master or Slave Operation
- LSB First or MSB First Data Transfer
- Seven Programmable Bit Rates
- End of Transmission Interrupt Flag
- Write Collision Flag Protection
- Wake-up from Idle Mode
- Double Speed (CK/2) Master SPI Mode

Figure 17-1. SPI Block Diagram<sup>(1)</sup>



Note: 1. Refer to [Figure 3-1 on page 3](#), and [Table 11-3 on page 67](#) for SPI pin placement.

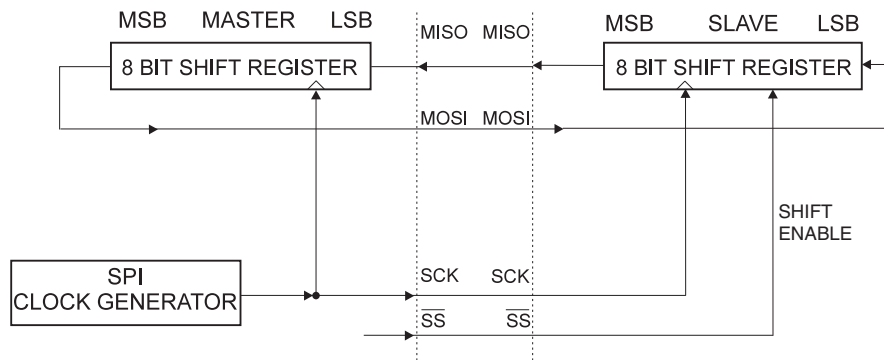
The interconnection between Master and Slave CPUs with SPI is shown in [Figure 17-2](#). The system consists of two shift Registers, and a Master clock generator. The SPI Master initiates the communication cycle when pulling low the Slave Select  $\overline{SS}$  pin of the desired Slave. Master and

Slave prepare the data to be sent in their respective shift Registers, and the Master generates the required clock pulses on the SCK line to interchange data. Data is always shifted from Master to Slave on the Master Out – Slave In, MOSI, line, and from Slave to Master on the Master In – Slave Out, MISO, line. After each data packet, the Master will synchronize the Slave by pulling high the Slave Select,  $\overline{SS}$ , line.

When configured as a Master, the SPI interface has no automatic control of the  $\overline{SS}$  line. This must be handled by user software before communication can start. When this is done, writing a byte to the SPI Data Register starts the SPI clock generator, and the hardware shifts the eight bits into the Slave. After shifting one byte, the SPI clock generator stops, setting the end of transmission flag (SPIF). If the SPI Interrupt Enable bit (SPIE) in the SPCR Register is set, an interrupt is requested. The Master may continue to shift the next byte by writing it into SPDR, or signal the end of packet by pulling high the Slave Select,  $\overline{SS}$  line. The last incoming byte will be kept in the Buffer Register for later use.

When configured as a Slave, the SPI interface will remain sleeping with MISO tri-stated as long as the  $\overline{SS}$  pin is driven high. In this state, software may update the contents of the SPI Data Register, SPDR, but the data will not be shifted out by incoming clock pulses on the SCK pin until the  $\overline{SS}$  pin is driven low. As one byte has been completely shifted, the end of transmission flag, SPIF is set. If the SPI Interrupt Enable bit, SPIE, in the SPCR Register is set, an interrupt is requested. The Slave may continue to place new data to be sent into SPDR before reading the incoming data. The last incoming byte will be kept in the Buffer Register for later use.

**Figure 17-2.** SPI Master-slave Interconnection



The system is single buffered in the transmit direction and double buffered in the receive direction. This means that bytes to be transmitted cannot be written to the SPI Data Register before the entire shift cycle is completed. When receiving data, however, a received character must be read from the SPI Data Register before the next character has been completely shifted in. Otherwise, the first byte is lost.

In SPI Slave mode, the control logic will sample the incoming signal of the SCK pin. To ensure correct sampling of the clock signal, the frequency of the SPI clock should never exceed  $f_{clkio}/4$ .



When the SPI is enabled, the data direction of the MOSI, MISO, SCK, and  $\overline{SS}$  pins is overridden according to [Table 17-1](#). For more details on automatic port overrides, refer to [“Alternate Port Functions”](#) on page 65.

**Table 17-1.** SPI Pin Overrides<sup>(1)</sup>

Pin	Direction, Master SPI	Direction, Slave SPI
MOSI	User Defined	Input
MISO	Input	User Defined
SCK	User Defined	Input
$\overline{SS}$	User Defined	Input

Note: 1. See [“Alternate Functions of Port B”](#) on page 67 for a detailed description of how to define the direction of the user defined SPI pins.

The following code examples show how to initialize the SPI as a Master and how to perform a simple transmission.

DDR\_SPI in the examples must be replaced by the actual Data Direction Register controlling the SPI pins. DD\_MOSI, DD\_MISO and DD\_SCK must be replaced by the actual data direction bits for these pins. E.g. if MOSI is placed on pin PB2, replace DD\_MOSI with DDB2 and DDR\_SPI with DDRB.

**TABLE 2.**

Assembly Code Example <sup>(1)</sup>
<pre> SPI_MasterInit:     ; Set MOSI and SCK output, all others input     <b>ldi</b> r17, (1&lt;&lt;DD_MOSI)   (1&lt;&lt;DD_SCK)     <b>out</b> DDR_SPI, r17     ; Enable SPI, Master, set clock rate fck/16     <b>ldi</b> r17, (1&lt;&lt;SPE)   (1&lt;&lt;MSTR)   (1&lt;&lt;SPR0)     <b>out</b> SPCR, r17     <b>ret</b>  SPI_MasterTransmit:     ; Start transmission of data (r16)     <b>out</b> SPDR, r16 Wait_Transmit:     ; Wait for transmission complete     <b>sbis</b> SPSR, SPIF     <b>rjmp</b> Wait_Transmit     <b>ret</b> </pre>
C Code Example <sup>(1)</sup>
<pre> <b>void</b> SPI_MasterInit(<b>void</b>) {     /* Set MOSI and SCK output, all others input */     DDR_SPI = (1&lt;&lt;DD_MOSI)   (1&lt;&lt;DD_SCK);     /* Enable SPI, Master, set clock rate fck/16 */     SPCR = (1&lt;&lt;SPE)   (1&lt;&lt;MSTR)   (1&lt;&lt;SPR0); }  <b>void</b> SPI_MasterTransmit(<b>char</b> cData) {     /* Start transmission */     SPDR = cData;     /* Wait for transmission complete */     <b>while</b> (!(SPSR &amp; (1&lt;&lt;SPIF)))         ; } </pre>

Note: 1. The example code assumes that the part specific header file is included.

The following code examples show how to initialize the SPI as a Slave and how to perform a simple reception.

TABLE 2.

Assembly Code Example <sup>(1)</sup>
<pre> SPI_SlaveInit:     ; Set MISO output, all others input     ldi r17, (1&lt;&lt;DD_MISO)     out DDR_SPI, r17     ; Enable SPI     ldi r17, (1&lt;&lt;SPE)     out SPCR, r17     ret  SPI_SlaveReceive:     ; Wait for reception complete     sbis SPSR, SPIF     rjmp SPI_SlaveReceive     ; Read received data and return     in r16, SPDR     ret </pre>
C Code Example <sup>(1)</sup>
<pre> void SPI_SlaveInit(void) {     /* Set MISO output, all others input */     DDR_SPI = (1&lt;&lt;DD_MISO);     /* Enable SPI */     SPCR = (1&lt;&lt;SPE); }  char SPI_SlaveReceive(void) {     /* Wait for reception complete */     while (!(SPSR &amp; (1&lt;&lt;SPIF)))         ;     /* Return data register */     return SPDR; } </pre>

Note: 1. The example code assumes that the part specific header file is included.

## 17.2 $\overline{SS}$ Pin Functionality

### 17.2.1 Slave Mode

When the SPI is configured as a Slave, the Slave Select ( $\overline{SS}$ ) pin is always input. When  $\overline{SS}$  is held low, the SPI is activated, and MISO becomes an output if configured so by the user. All other pins are inputs. When  $\overline{SS}$  is driven high, all pins are inputs, and the SPI is passive, which

means that it will not receive incoming data. Note that the SPI logic will be reset once the  $\overline{SS}$  pin is driven high.

The  $\overline{SS}$  pin is useful for packet/byte synchronization to keep the slave bit counter synchronous with the master clock generator. When the  $\overline{SS}$  pin is driven high, the SPI slave will immediately reset the send and receive logic, and drop any partially received data in the Shift Register.

### 17.2.2 Master Mode

When the SPI is configured as a Master (MSTR in SPCR is set), the user can determine the direction of the  $\overline{SS}$  pin.

If  $\overline{SS}$  is configured as an output, the pin is a general output pin which does not affect the SPI system. Typically, the pin will be driving the  $\overline{SS}$  pin of the SPI Slave.

If  $\overline{SS}$  is configured as an input, it must be held high to ensure Master SPI operation. If the  $\overline{SS}$  pin is driven low by peripheral circuitry when the SPI is configured as a Master with the  $\overline{SS}$  pin defined as an input, the SPI system interprets this as another master selecting the SPI as a slave and starting to send data to it. To avoid bus contention, the SPI system takes the following actions:

1. The MSTR bit in SPCR is cleared and the SPI system becomes a Slave. As a result of the SPI becoming a Slave, the MOSI and SCK pins become inputs.
2. The SPIF flag in SPSR is set, and if the SPI interrupt is enabled, and the I-bit in SREG is set, the interrupt routine will be executed.

Thus, when interrupt-driven SPI transmission is used in Master mode, and there exists a possibility that  $\overline{SS}$  is driven low, the interrupt should always check that the MSTR bit is still set. If the MSTR bit has been cleared by a slave select, it must be set by the user to re-enable SPI Master mode.

### 17.2.3 MCU Control Register – MCUCR

Bit	7	6	5	4	3	2	1	0	
	<b>SPIPS</b>	–	–	<b>PUD</b>	–	–	<b>IVSEL</b>	<b>IVCE</b>	<b>MCUCR</b>
Read/Write	R/W	R	R	R/W	R	R	R/W	R/W	
Initial Value	0	0	0	0	0	0	0	0	

#### • Bit 7– SPIPS: SPI Pin Redirection

Thanks to SPIPS (SPI Pin Select) in MCUCR Sfr, SPI pins can be redirected.

On 32 pins packages, SPIPS has the following action:

- When the SPIPS bit is written to zero, the SPI signals are directed on pins MISO, MOSI, SCK and SS.
- When the SPIPS bit is written to one, the SPI signals are directed on alternate SPI pins, MISO\_A, MOSI\_A, SCK\_A and SS\_A.

On 24 pins package, SPIPS has the following action:

- When the SPIPS bit is written to zero, the SPI signals are directed on alternate SPI pins, MISO\_A, MOSI\_A, SCK\_A and SS\_A.
- When the SPIPS bit is written to one, the SPI signals are directed on pins MISO, MOSI, SCK and SS.

Note that programming port are always located on alternate SPI port.

## 17.2.4 SPI Control Register – SPCR

Bit	7	6	5	4	3	2	1	0	
	<b>SPIE</b>	<b>SPE</b>	<b>DORD</b>	<b>MSTR</b>	<b>CPOL</b>	<b>CPHA</b>	<b>SPR1</b>	<b>SPR0</b>	<b>SPCR</b>
Read/Write	R/W	R/W	R/W	R/W	R/W	R/W	R/W	R/W	
Initial Value	0	0	0	0	0	0	0	0	

- **Bit 7 – SPIE: SPI Interrupt Enable**

This bit causes the SPI interrupt to be executed if SPIF bit in the SPSR Register is set and the if the Global Interrupt Enable bit in SREG is set.

- **Bit 6 – SPE: SPI Enable**

When the SPE bit is written to one, the SPI is enabled. This bit must be set to enable any SPI operations.

- **Bit 5 – DORD: Data Order**

When the DORD bit is written to one, the LSB of the data word is transmitted first.

When the DORD bit is written to zero, the MSB of the data word is transmitted first.

- **Bit 4 – MSTR: Master/Slave Select**

This bit selects Master SPI mode when written to one, and Slave SPI mode when written logic zero. If  $\overline{SS}$  is configured as an input and is driven low while MSTR is set, MSTR will be cleared, and SPIF in SPSR will become set. The user will then have to set MSTR to re-enable SPI Master mode.

- **Bit 3 – CPOL: Clock Polarity**

When this bit is written to one, SCK is high when idle. When CPOL is written to zero, SCK is low when idle. Refer to [Figure 17-3](#) and [Figure 17-4](#) for an example. The CPOL functionality is summarized below:

**Table 17-2.** CPOL Functionality

CPOL	Leading Edge	Trailing Edge
0	Rising	Falling
1	Falling	Rising

- **Bit 2 – CPHA: Clock Phase**

The settings of the Clock Phase bit (CPHA) determine if data is sampled on the leading (first) or trailing (last) edge of SCK. Refer to [Figure 17-3](#) and [Figure 17-4](#) for an example. The CPOL functionality is summarized below:

**Table 17-3.** CPHA Functionality

CPHA	Leading Edge	Trailing Edge
0	Sample	Setup
1	Setup	Sample

- **Bits 1, 0 – SPR1, SPR0: SPI Clock Rate Select 1 and 0**

These two bits control the SCK rate of the device configured as a Master. SPR1 and SPR0 have no effect on the Slave. The relationship between SCK and the  $clk_{IO}$  frequency  $f_{clk_{IO}}$  is shown in the following table:

**Table 17-4.** Relationship Between SCK and the Oscillator Frequency

SPI2X	SPR1	SPR0	SCK Frequency
0	0	0	$f_{clk_{IO}}/4$
0	0	1	$f_{clk_{IO}}/16$
0	1	0	$f_{clk_{IO}}/64$
0	1	1	$f_{clk_{IO}}/128$
1	0	0	$f_{clk_{IO}}/2$
1	0	1	$f_{clk_{IO}}/8$
1	1	0	$f_{clk_{IO}}/32$
1	1	1	$f_{clk_{IO}}/64$

### 17.2.5 SPI Status Register – SPSR

Bit	7	6	5	4	3	2	1	0	
	<b>SPSR</b>								
	<b>SPIF</b>	<b>WCOL</b>	–	–	–	–	–	<b>SPI2X</b>	
Read/Write	R	R	R	R	R	R	R	R/W	
Initial Value	0	0	0	0	0	0	0	0	

- **Bit 7 – SPIF: SPI Interrupt Flag**

When a serial transfer is complete, the SPIF flag is set. An interrupt is generated if SPIE in SPCR is set and global interrupts are enabled. If  $\overline{SS}$  is an input and is driven low when the SPI is in Master mode, this will also set the SPIF flag. SPIF is cleared by hardware when executing the corresponding interrupt handling vector. Alternatively, the SPIF bit is cleared by first reading the SPI Status Register with SPIF set, then accessing the SPI Data Register (SPDR).

- **Bit 6 – WCOL: Write COLLision Flag**

The WCOL bit is set if the SPI Data Register (SPDR) is written during a data transfer. The WCOL bit (and the SPIF bit) are cleared by first reading the SPI Status Register with WCOL set, and then accessing the SPI Data Register.

- **Bit 5..1 – Res: Reserved Bits**

These bits are reserved bits in the AT90PWM216/316 and will always read as zero.

- **Bit 0 – SPI2X: Double SPI Speed Bit**

When this bit is written logic one the SPI speed (SCK Frequency) will be doubled when the SPI is in Master mode (see Table 17-4). This means that the minimum SCK period will be two CPU clock periods. When the SPI is configured as Slave, the SPI is only guaranteed to work at  $f_{clk_{IO}}/4$  or lower.

The SPI interface on the AT90PWM216/316 is also used for program memory and EEPROM downloading or uploading. See [Serial Programming Algorithm297](#) for serial programming and verification.

## 17.2.6 SPI Data Register – SPDR

Bit	7	6	5	4	3	2	1	0	
	<b>SPD7</b>	<b>SPD6</b>	<b>SPD5</b>	<b>SPD4</b>	<b>SPD3</b>	<b>SPD2</b>	<b>SPD1</b>	<b>SPD0</b>	<b>SPDR</b>
Read/Write	R/W	R/W	R/W	R/W	R/W	R/W	R/W	R/W	
Initial Value	X	X	X	X	X	X	X	X	Undefined

### • Bits 7:0 - SPD7:0: SPI Data

The SPI Data Register is a read/write register used for data transfer between the Register File and the SPI Shift Register. Writing to the register initiates data transmission. Reading the register causes the Shift Register Receive buffer to be read.

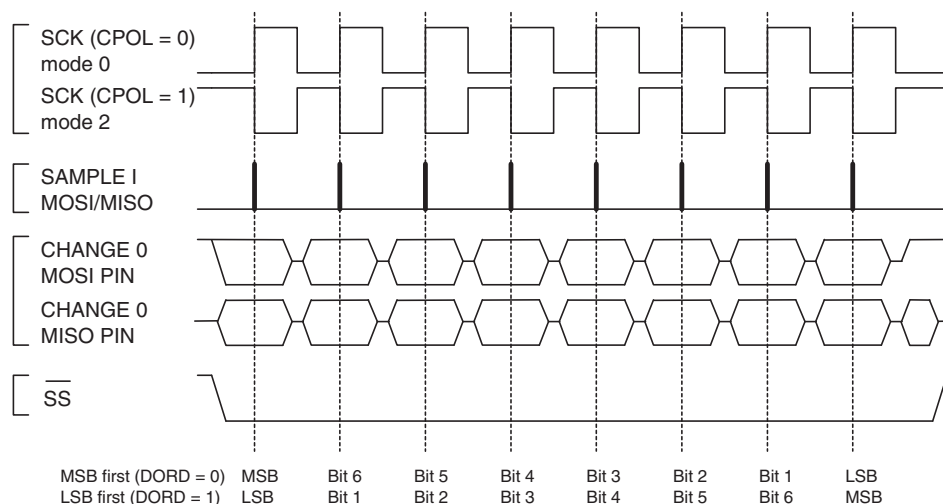
## 17.3 Data Modes

There are four combinations of SCK phase and polarity with respect to serial data, which are determined by control bits CPHA and CPOL. The SPI data transfer formats are shown in [Figure 17-3](#) and [Figure 17-4](#). Data bits are shifted out and latched in on opposite edges of the SCK signal, ensuring sufficient time for data signals to stabilize. This is clearly seen by summarizing [Table 17-2](#) and [Table 17-3](#), as done below:

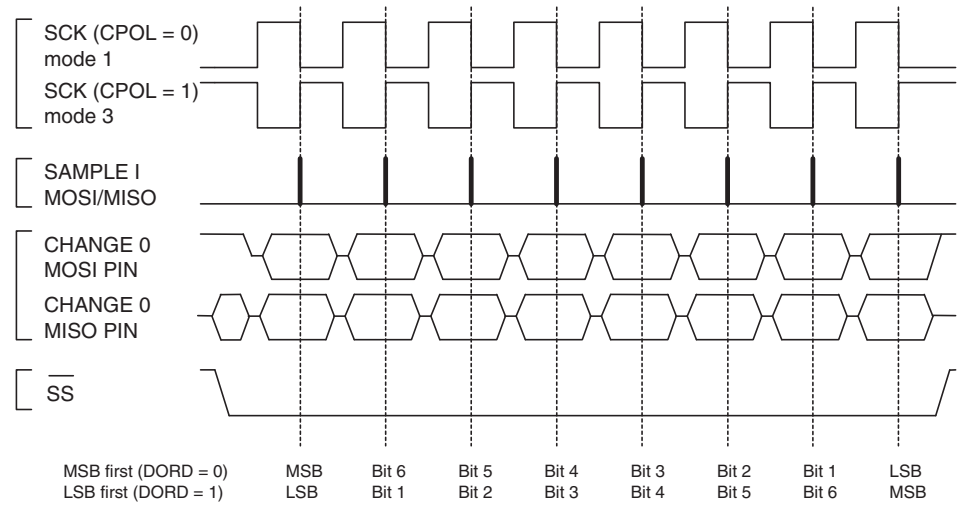
**Table 17-5. CPOL Functionality**

	Leading Edge	Trailing eDge	SPI Mode
CPOL=0, CPHA=0	Sample (Rising)	Setup (Falling)	0
CPOL=0, CPHA=1	Setup (Rising)	Sample (Falling)	1
CPOL=1, CPHA=0	Sample (Falling)	Setup (Rising)	2
CPOL=1, CPHA=1	Setup (Falling)	Sample (Rising)	3

**Figure 17-3. SPI Transfer Format with CPHA = 0**



**Figure 17-4. SPI Transfer Format with CPHA = 1**





## 18. USART

The Universal Synchronous and Asynchronous serial Receiver and Transmitter (USART) is a highly flexible serial communication device. The main features are:

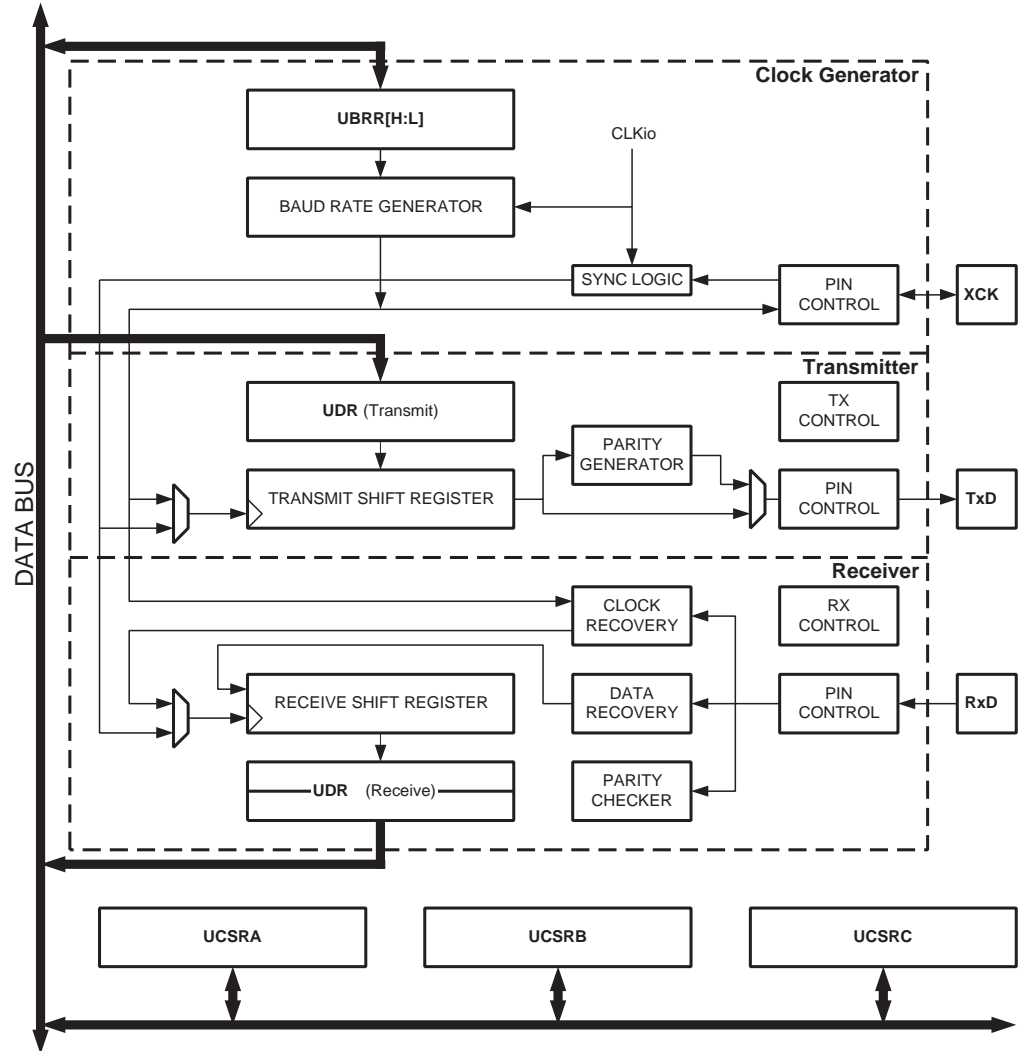
### 18.1 Features

- Full Duplex Operation (Independent Serial Receive and Transmit Registers)
- Asynchronous or Synchronous Operation
- Master or Slave Clocked Synchronous Operation
- High Resolution Baud Rate Generator
- Supports Serial Frames with 5, 6, 7, 8, or 9 Data Bits and 1 or 2 Stop Bits
- Odd or Even Parity Generation and Parity Check Supported by Hardware
- Data OverRun Detection
- Framing Error Detection
- Noise Filtering Includes False Start Bit Detection and Digital Low Pass Filter
- Three Separate Interrupts on TX Complete, TX Data Register Empty and RX Complete
- Multi-processor Communication Mode
- Double Speed Asynchronous Communication Mode
- USART Extended mode (EUSART) with:
  - Independent bit number configuration for transmit and receive
  - Supports Serial Frames with 5, 6, 7, 8, 9 or 13, 14, 15, 16, 17 Data Bits and 1 or 2 Stop Bits
  - Biphase Manchester encode/decoder (for DALI Communications)
  - Manchester framing error detection
  - Bit ordering configuration (MSB or LSB first)
  - Sleep mode exit under reception of EUSART frame

### 18.2 Overview

A simplified block diagram of the USART Transmitter is shown in [Figure 18-1](#). CPU accessible I/O Registers and I/O pins are shown in bold.

Figure 18-1. USART Block Diagram<sup>(1)</sup>



Note: 1. Refer to [Pin Configurations3](#), [Table 11-9 on page 73](#), and [Table 11-7 on page 71](#) for USART pin placement.

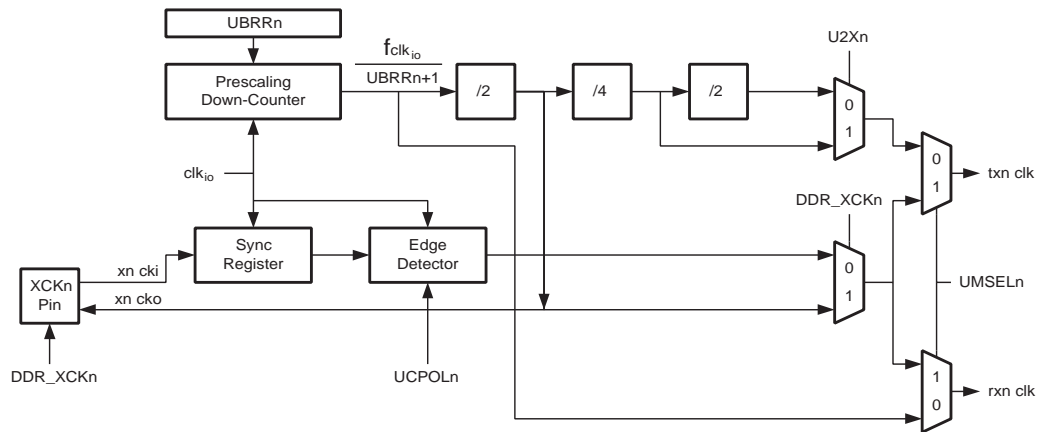
The dashed boxes in the block diagram separate the three main parts of the USART (listed from the top): Clock Generator, Transmitter and Receiver. Control registers are shared by all units. The Clock Generation logic consists of synchronization logic for external clock input used by synchronous slave operation, and the baud rate generator. The XCK (Transfer Clock) pin is only used by synchronous transfer mode. The Transmitter consists of a single write buffer, a serial Shift Register, Parity Generator and Control logic for handling different serial frame formats. The write buffer allows a continuous transfer of data without any delay between frames. The Receiver is the most complex part of the USART module due to its clock and data recovery units. The recovery units are used for asynchronous data reception. In addition to the recovery units, the Receiver includes a Parity Checker, Control logic, a Shift Register and a two level receive buffer (UDR). The Receiver supports the same frame formats as the Transmitter, and can detect Frame Error, Data OverRun and Parity Errors.

### 18.3 Clock Generation

The Clock Generation logic generates the base clock for the Transmitter and Receiver. The USART supports four modes of clock operation: Normal asynchronous, Double Speed asynchronous, Master synchronous and Slave synchronous mode. The UMSEL bit in USART Control and Status Register C (UCSRC) selects between asynchronous and synchronous operation. Double Speed (asynchronous mode only) is controlled by the U2X found in the UCSRA Register. When using synchronous mode (UMSEL = 1), the Data Direction Register for the XCK pin (DDR\_XCK) controls whether the clock source is internal (Master mode) or external (Slave mode). The XCK pin is only active when using synchronous mode.

Figure 18-2 shows a block diagram of the clock generation logic.

Figure 18-2. USART Clock Generation Logic, Block Diagram



Signal description:

- txn clk** Transmitter clock (Internal Signal).
- rxn clk** Receiver base clock (Internal Signal).
- xn cki** Input from XCK pin (internal Signal). Used for synchronous slave operation.
- xn cko** Clock output to XCK pin (Internal Signal). Used for synchronous master operation.
- fclk<sub>io</sub>** System I/O Clock frequency.

#### 18.3.1 Internal Clock Generation – Baud Rate Generator

Internal clock generation is used for the asynchronous and the synchronous master modes of operation. The description in this section refers to Figure 18-2.

The USART Baud Rate Register (UBRR) and the down-counter connected to it function as a programmable prescaler or baud rate generator. The down-counter, running at system clock (fclk<sub>io</sub>), is loaded with the UBRR value each time the counter has counted down to zero or when the UBRR Register is written. A clock is generated each time the counter reaches zero. This clock is the baud rate generator clock output ( $= fclk_{io}/(UBRR+1)$ ). The Transmitter divides the baud rate generator clock output by 2, 8 or 16 depending on mode. The baud rate generator output is used directly by the Receiver's clock and data recovery units. However, the recovery units

use a state machine that uses 2, 8 or 16 states depending on mode set by the state of the UMSEL, U2X and DDR\_XCK bits.

Table 18-1 contains equations for calculating the baud rate (in bits per second) and for calculating the UBRR value for each mode of operation using an internally generated clock source.

**Table 18-1.** Equations for Calculating Baud Rate Register Setting

Operating Mode	Equation for Calculating Baud Rate <sup>(1)</sup>	Equation for Calculating UBRR Value
Asynchronous Normal mode (U2X = 0)	$BAUD = \frac{f_{CLKio}}{16(UBRR_n + 1)}$	$UBRR_n = \frac{f_{CLKio}}{16BAUD} - 1$
Asynchronous Double Speed mode (U2X = 1)	$BAUD = \frac{f_{CLKio}}{8(UBRR_n + 1)}$	$UBRR_n = \frac{f_{CLKio}}{8BAUD} - 1$
Synchronous Master mode	$BAUD = \frac{f_{CLKio}}{2(UBRR_n + 1)}$	$UBRR_n = \frac{f_{CLKio}}{2BAUD} - 1$

Note: 1. The baud rate is defined to be the transfer rate in bit per second (bps)

**BAUD** Baud rate (in bits per second, bps).

**f<sub>clk<sub>io</sub></sub>** System I/O Clock frequency.

**UBRR** Contents of the UBRRH and UBRRL Registers, (0-4095).

Some examples of UBRR values for some system clock frequencies are found in Table 18-9 (see page 209).

### 18.3.2 Double Speed Operation (U2X)

The transfer rate can be doubled by setting the U2X bit in UCSRA. Setting this bit only has effect for the asynchronous operation. Set this bit to zero when using synchronous operation.

Setting this bit will reduce the divisor of the baud rate divider from 16 to 8, effectively doubling the transfer rate for asynchronous communication. Note however that the Receiver will in this case only use half the number of samples (reduced from 16 to 8) for data sampling and clock recovery, and therefore a more accurate baud rate setting and system clock are required when this mode is used. For the Transmitter, there are no downsides.

### 18.3.3 External Clock

External clocking is used by the synchronous slave modes of operation. The description in this section refers to Figure 18-2 for details.

External clock input from the XCK pin is sampled by a synchronization register to minimize the chance of meta-stability. The output from the synchronization register must then pass through an edge detector before it can be used by the Transmitter and Receiver. This process introduces a two CPU clock period delay and therefore the maximum external XCK clock frequency is limited by the following equation:

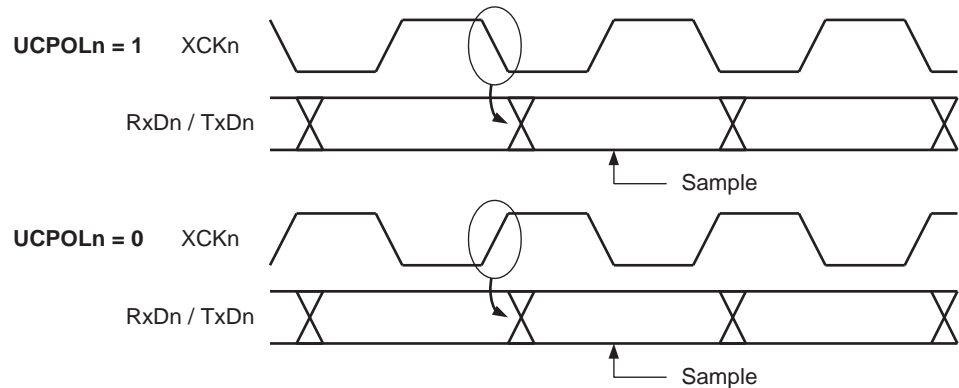
$$f_{XCKn} < \frac{f_{CLKio}}{4}$$

Note that  $f_{clk_{io}}$  depends on the stability of the system clock source. It is therefore recommended to add some margin to avoid possible loss of data due to frequency variations.

### 18.3.4 Synchronous Clock Operation

When synchronous mode is used (UMSEL = 1), the XCK pin will be used as either clock input (Slave) or clock output (Master). The dependency between the clock edges and data sampling or data change is the same. The basic principle is that data input (on RxD) is sampled at the opposite XCK clock edge of the edge the data output (TxDn) is changed.

**Figure 18-3.** Synchronous Mode XCK Timing.



The UCPOL bit UCRSnC selects which XCK clock edge is used for data sampling and which is used for data change. As [Figure 18-3](#) shows, when UCPOL is zero the data will be changed at rising XCK edge and sampled at falling XCK edge. If UCPOL is set, the data will be changed at falling XCK edge and sampled at rising XCK edge.

## 18.4 Serial Frame

A serial frame is defined to be one character of data bits with synchronization bits (start and stop bits), and optionally a parity bit for error checking.

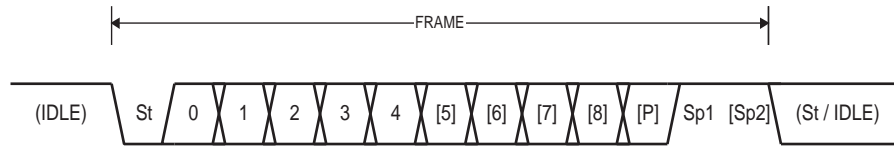
### 18.4.1 Frame Formats

The USART accepts all 30 combinations of the following as valid frame formats:

- 1 start bit
- 5, 6, 7, 8, or 9 data bits
- no, even or odd parity bit
- 1 or 2 stop bits

A frame starts with the start bit followed by the least significant data bit. Then the next data bits, up to a total of nine, are succeeding, ending with the most significant bit. If enabled, the parity bit is inserted after the data bits, before the stop bits. When a complete frame is transmitted, it can be directly followed by a new frame, or the communication line can be set to an idle (high) state. [Figure 18-4](#) illustrates the possible combinations of the frame formats. Bits inside brackets are optional.

**Figure 18-4.** Frame Formats



- St** Start bit, always low.
- (n)** Data bits (0 to 8).
- P** Parity bit. Can be odd or even.
- Sp** Stop bit, always high.
- IDLE** No transfers on the communication line (RxD or TxD). An IDLE line must be high.

The frame format used by the USART is set by the UCSZ2:0, UPM1:0 and USBS bits in UCSRB and UCSRC. The Receiver and Transmitter use the same setting. Note that changing the setting of any of these bits will corrupt all ongoing communication for both the Receiver and Transmitter.

The USART Character SiZe (UCSZ2:0) bits select the number of data bits in the frame. The USART Parity mode (UPM1:0) bits enable and set the type of parity bit. The selection between one or two stop bits is done by the USART Stop Bit Select (USBS) bit. The Receiver ignores the second stop bit. An FE (Frame Error) will therefore only be detected in the cases where the first stop bit is zero.

### 18.4.2 Parity Bit Calculation

The parity bit is calculated by doing an exclusive-or of all the data bits. If odd parity is used, the result of the exclusive or is inverted. The relation between the parity bit and data bits is as follows:

$$P_{even} = d_{n-1} \oplus \dots \oplus d_3 \oplus d_2 \oplus d_1 \oplus d_0 \oplus 0$$

$$P_{odd} = d_{n-1} \oplus \dots \oplus d_3 \oplus d_2 \oplus d_1 \oplus d_0 \oplus 1$$

- P<sub>even</sub>** Parity bit using even parity
- P<sub>odd</sub>** Parity bit using odd parity
- d<sub>n</sub>** Data bit n of the character

If used, the parity bit is located between the last data bit and first stop bit of a serial frame.

## 18.5 USART Initialization

The USART has to be initialized before any communication can take place.

The configuration between the USART or EUSART mode should be done before any other configuration.

The initialization process normally consists of setting the baud rate, setting frame format and enabling the Transmitter or the Receiver depending on the usage.

For interrupt driven USART operation, the Global Interrupt Flag should be cleared (and interrupts globally disabled) when doing the initialization.

Before doing a re-initialization with changed baud rate or frame format, be sure that there are no ongoing transmissions during the period the registers are changed. The TXC flag can be used to check that the Transmitter has completed all transfers, and the RXC flag can be used to check that there are no unread data in the receive buffer. Note that the TXC flag must be cleared before each transmission (before UDR is written) if it is used for this purpose.

The following simple USART initialization code examples show one assembly and one C function that are equal in functionality. The examples assume asynchronous operation using polling (no interrupts enabled) and a fixed frame format. The baud rate is given as a function parameter. For the assembly code, the baud rate parameter is assumed to be stored in the r17:r16 Registers.

**TABLE 2.**

Assembly Code Example <sup>(1)</sup>
<pre> USART_Init:     ; Set baud rate     sts UBRRH, r17     sts UBRRL, r16     ; Set frame format: 8data, no parity &amp; 2 stop bits     ldi r16, (0&lt;&lt;UMSEL)   (0&lt;&lt;UPM0)   (1&lt;&lt;USBS)   (3&lt;&lt;UCSZ0)     sts UCSRC,r16     ; Enable receiver and transmitter     ldi r16, (1&lt;&lt;RXEN0)   (1&lt;&lt;TXEN0)     sts UCSRB,r16     ret                 </pre>
C Code Example <sup>(1)</sup>
<pre> void USART_Init( unsigned int baud ) {     /* Set baud rate */     UBRRH = (unsigned char) (baud&gt;&gt;8);     UBRRL = (unsigned char)baud;     /* Set frame format: 8data, no parity &amp; 2 stop bits */     UCSRC = (0&lt;&lt;UMSEL)   (0&lt;&lt;UPM0)   (1&lt;&lt;USBS)   (3&lt;&lt;UCSZ0);     /* Enable receiver and transmitter */     UCSRB = (1&lt;&lt;RXEN0)   (1&lt;&lt;TXEN0); }                 </pre>

Note: 1. The example code assumes that the part specific header file is included. For I/O Registers located in extended I/O map, "IN", "OUT", "SBIS", "SBIC", "CBI", and "SBI" instructions must be replaced with instructions that allow access to extended I/O. Typically "LDS" and "STS" combined with "SBR", "SBRC", "SBR", and "CBR".

More advanced initialization routines can be made that include frame format as parameters, disable interrupts and so on. However, many applications use a fixed setting of the baud and control registers, and for these types of applications the initialization code can be placed directly in the main routine, or be combined with initialization code for other I/O modules.

## 18.6 Data Transmission – USART Transmitter

The USART Transmitter is enabled by setting the Transmit Enable (TXEN) bit in the UCSRB Register. When the Transmitter is enabled, the normal port operation of the TxDn pin is overridden by the USART and given the function as the Transmitter’s serial output. The baud rate, mode of operation and frame format must be set up once before doing any transmissions. If synchronous operation is used, the clock on the XCK pin will be overridden and used as transmission clock.

### 18.6.1 Sending Frames with 5 to 8 Data Bit

A data transmission is initiated by loading the transmit buffer with the data to be transmitted. The CPU can load the transmit buffer by writing to the UDR I/O location. The buffered data in the transmit buffer will be moved to the Shift Register when the Shift Register is ready to send a new frame. The Shift Register is loaded with new data if it is in idle state (no ongoing transmission) or immediately after the last stop bit of the previous frame is transmitted. When the Shift Register is loaded with new data, it will transfer one complete frame at the rate given by the Baud Register, U2X bit or by XCK depending on mode of operation.

The following code examples show a simple USART transmit function based on polling of the Data Register Empty (UDRE) flag. When using frames with less than eight bits, the most significant bits written to the UDR are ignored. The USART has to be initialized before the function can be used. For the assembly code, the data to be sent is assumed to be stored in Register R16.

**TABLE 2.**

Assembly Code Example <sup>(1)</sup>
<pre> USART_Transmit:     ; Wait for empty transmit buffer     sbis UCSRA,UDRE     rjmp USART_Transmit     ; Put data (r16) into buffer, sends the data     sts UDR,r16     ret         </pre>
C Code Example <sup>(1)</sup>
<pre> void USART_Transmit( unsigned char data ) {     /* Wait for empty transmit buffer */     while ( !( UCSRA &amp; (1&lt;&lt;UDRE)) )         ;     /* Put data into buffer, sends the data */     UDR = data; }         </pre>

Note: 1. The example code assumes that the part specific header file is included. For I/O Registers located in extended I/O map, “IN”, “OUT”, “SBIS”, “SBIC”, “CBI”, and “SBI” instructions must be replaced with instructions that allow access to extended I/O. Typically “LDS” and “STS” combined with “SBR”, “SBRC”, “SBR”, and “CBR”.

The function simply waits for the transmit buffer to be empty by checking the UDRE flag, before loading it with new data to be transmitted. If the Data Register Empty interrupt is utilized, the interrupt routine writes the data into the buffer.



## 18.6.2 Sending Frames with 9 Data Bit

If 9-bit characters are used (UCSZ = 7), the ninth bit must be written to the TXB8 bit in UCSRB before the low byte of the character is written to UDR. The following code examples show a transmit function that handles 9-bit characters. For the assembly code, the data to be sent is assumed to be stored in registers R17:R16.

**TABLE 2.**

Assembly Code Example <sup>(1)(2)</sup>
<pre> USART_Transmit:     ; Wait for empty transmit buffer     sbis UCSRA,UDRE     rjmp USART_Transmit     ; Copy 9th bit from r17 to TXB80     cbi UCSRB,TXB80     sbrc r17,0     sbi UCSRB,TXB80     ; Put LSB data (r16) into buffer, sends the data     sts UDR,r16     ret         </pre>
C Code Example <sup>(1)(2)</sup>
<pre> void USART_Transmit( unsigned int data ) {     /* Wait for empty transmit buffer */     while ( !( UCSRA &amp; (1&lt;&lt;UDRE)) )         ;     /* Copy 9th bit to TXB8 */     UCSRB &amp;= ~(1&lt;&lt;TXB80);     if ( data &amp; 0x0100 )         UCSRB  = (1&lt;&lt;TXB80);     /* Put data into buffer, sends the data */     UDR = data; }         </pre>

- Notes:
1. These transmit functions are written to be general functions. They can be optimized if the contents of the UCSRB is static. For example, only the TXB80 bit of the UCSRB0 Register is used after initialization.
  2. The example code assumes that the part specific header file is included. For I/O Registers located in extended I/O map, "IN", "OUT", "SBIS", "SBIC", "CBI", and "SBI" instructions must be replaced with instructions that allow access to extended I/O. Typically "LDS" and "STS" combined with "SBR", "SBRC", "SBR", and "CBR".

The ninth bit can be used for indicating an address frame when using multi processor communication mode or for other protocol handling as for example synchronization.

## 18.6.3 Transmitter Flags and Interrupts

The USART Transmitter has two flags that indicate its state: USART Data Register Empty (UDRE) and Transmit Complete (TXC). Both flags can be used for generating interrupts.

The Data Register Empty (UDRE) flag indicates whether the transmit buffer is ready to receive new data. This bit is set when the transmit buffer is empty, and cleared when the transmit buffer contains data to be transmitted that has not yet been moved into the Shift Register. For compatibility with future devices, always write this bit to zero when writing the UCSRA Register.

When the Data Register Empty Interrupt Enable (UDRIE) bit in UCSRB is written to one, the USART Data Register Empty Interrupt will be executed as long as UDRE is set (provided that global interrupts are enabled). UDRE is cleared by writing UDR. When interrupt-driven data transmission is used, the Data Register Empty interrupt routine must either write new data to UDR in order to clear UDRE or disable the Data Register Empty interrupt, otherwise a new interrupt will occur once the interrupt routine terminates.

The Transmit Complete (TXC) flag bit is set one when the entire frame in the Transmit Shift Register has been shifted out and there are no new data currently present in the transmit buffer. The TXC flag bit is automatically cleared when a transmit complete interrupt is executed, or it can be cleared by writing a one to its bit location. The TXC flag is useful in half-duplex communication interfaces (like the RS-485 standard), where a transmitting application must enter receive mode and free the communication bus immediately after completing the transmission.

When the Transmit Complete Interrupt Enable (TXCIE) bit in UCSRB is set, the USART Transmit Complete Interrupt will be executed when the TXC flag becomes set (provided that global interrupts are enabled). When the transmit complete interrupt is used, the interrupt handling routine does not have to clear the TXC flag, this is done automatically when the interrupt is executed.

#### 18.6.4 Parity Generator

The Parity Generator calculates the parity bit for the serial frame data. When parity bit is enabled (UPM1 = 1), the transmitter control logic inserts the parity bit between the last data bit and the first stop bit of the frame that is sent.

#### 18.6.5 Disabling the Transmitter

The disabling of the Transmitter (setting the TXEN to zero) will not become effective until ongoing and pending transmissions are completed, i.e., when the Transmit Shift Register and Transmit Buffer Register do not contain data to be transmitted. When disabled, the Transmitter will no longer override the TxD pin.

### 18.7 Data Reception – USART Receiver

The USART Receiver is enabled by writing the Receive Enable (RXEN) bit in the UCSRB Register to one. When the Receiver is enabled, the normal pin operation of the RxD pin is overridden by the USART and given the function as the Receiver's serial input. The baud rate, mode of operation and frame format must be set up once before any serial reception can be done. If synchronous operation is used, the clock on the XCK pin will be used as transfer clock.

#### 18.7.1 Receiving Frames with 5 to 8 Data Bits

The Receiver starts data reception when it detects a valid start bit. Each bit that follows the start bit will be sampled at the baud rate or XCK clock, and shifted into the Receive Shift Register until the first stop bit of a frame is received. A second stop bit will be ignored by the Receiver. When the first stop bit is received, i.e., a complete serial frame is present in the Receive Shift Register, the contents of the Shift Register will be moved into the receive buffer. The receive buffer can then be read by reading the UDR I/O location.

The following code example shows a simple USART receive function based on polling of the Receive Complete (RXC) flag. When using frames with less than eight bits the most significant bits of the data read from the UDR will be masked to zero. The USART has to be initialized before the function can be used.

TABLE 3.

Assembly Code Example <sup>(1)</sup>
<pre> USART_Receive:     ; Wait for data to be received     sbis UCSRA, RXC     rjmp USART_Receive     ; Get and return received data from buffer     lds r16, UDR     ret </pre>
C Code Example <sup>(1)</sup>
<pre> unsigned char USART_Receive( void ) {     /* Wait for data to be received */     while ( !(UCSRA &amp; (1&lt;&lt;RXC)) )         ;     /* Get and return received data from buffer */     return UDR; } </pre>

Note: 1. The example code assumes that the part specific header file is included. For I/O Registers located in extended I/O map, "IN", "OUT", "SBIS", "SBIC", "CBI", and "SBI" instructions must be replaced with instructions that allow access to extended I/O. Typically "LDS" and "STS" combined with "SBR", "SBRC", "SBR", and "CBR".

The function simply waits for data to be present in the receive buffer by checking the RXC flag, before reading the buffer and returning the value.

### 18.7.2 Receiving Frames with 9 Data Bits

If 9-bit characters are used (UCSZ=7) the ninth bit must be read from the RXB8 bit in UCSRB **before** reading the low bits from the UDR. This rule applies to the FE, DOR and UPE Status Flags as well. Read status from UCSRA, then data from UDR. Reading the UDR I/O location will change the state of the receive buffer FIFO and consequently the TXB8, FE, DOR and UPE bits, which all are stored in the FIFO, will change.

The following code example shows a simple USART receive function that handles both nine bit characters and the status bits.

**TABLE 2.**

<p><b>Assembly Code Example<sup>(1)</sup></b></p> <pre> USART_Receive:     ; Wait for data to be received     <b>sbis</b> UCSRA, RXC0     <b>rjmp</b> USART_Receive     ; Get status and 9th bit, then data from buffer     <b>lds</b> r18, UCSRA     <b>lds</b> r17, UCSRB     <b>lds</b> r16, UDR     ; If error, return -1     <b>andi</b> r18, (1&lt;&lt;FE0)   (1&lt;&lt;DOR0)   (1&lt;&lt;UPE0)     <b>breq</b> USART_ReceiveNoError     <b>ldi</b> r17, HIGH(-1)     <b>ldi</b> r16, LOW(-1) USART_ReceiveNoError:     ; Filter the 9th bit, then return     <b>lsr</b> r17     <b>andi</b> r17, 0x01     <b>ret</b> </pre>
<p><b>C Code Example<sup>(1)</sup></b></p> <pre> <b>unsigned int</b> USART_Receive( <b>void</b> ) {     <b>unsigned char</b> status, resh, resl;     /* Wait for data to be received */     <b>while</b> ( !(UCSRA &amp; (1&lt;&lt;RXC0)) )         ;     /* Get status and 9th bit, then data */     /* from buffer */     status = UCSRA;     resh = UCSRB;     resl = UDR;     /* If error, return -1 */     <b>if</b> ( status &amp; (1&lt;&lt;FE0)   (1&lt;&lt;DOR0)   (1&lt;&lt;UPE0) )         <b>return</b> -1;     /* Filter the 9th bit, then return */     resh = (resh &gt;&gt; 1) &amp; 0x01;     <b>return</b> ((resh &lt;&lt; 8)   resl); } </pre>

Note: 1. The example code assumes that the part specific header file is included. For I/O Registers located in extended I/O map, "IN", "OUT", "SBIS", "SBIC", "CBI", and "SBI" instructions must be replaced with instructions that allow access to extended I/O. Typically "LDS" and "STS" combined with "SBR", "SBRC", "SBR", and "CBR".

The receive function example reads all the I/O Registers into the Register File before any computation is done. This gives an optimal receive buffer utilization since the buffer location read will be free to accept new data as early as possible.

### 18.7.3 Receive Complete Flag and Interrupt

The USART Receiver has one flag that indicates the Receiver state.

The Receive Complete (RXC) flag indicates if there are unread data present in the receive buffer. This flag is one when unread data exist in the receive buffer, and zero when the receive buffer is empty (i.e., does not contain any unread data). If the Receiver is disabled (RXEN = 0), the receive buffer will be flushed and consequently the RXC bit will become zero.

When the Receive Complete Interrupt Enable (RXCIE) in UCSRB is set, the USART Receive Complete interrupt will be executed as long as the RXC flag is set (provided that global interrupts are enabled). When interrupt-driven data reception is used, the receive complete routine must read the received data from UDR in order to clear the RXC flag, otherwise a new interrupt will occur once the interrupt routine terminates.

### 18.7.4 Receiver Error Flags

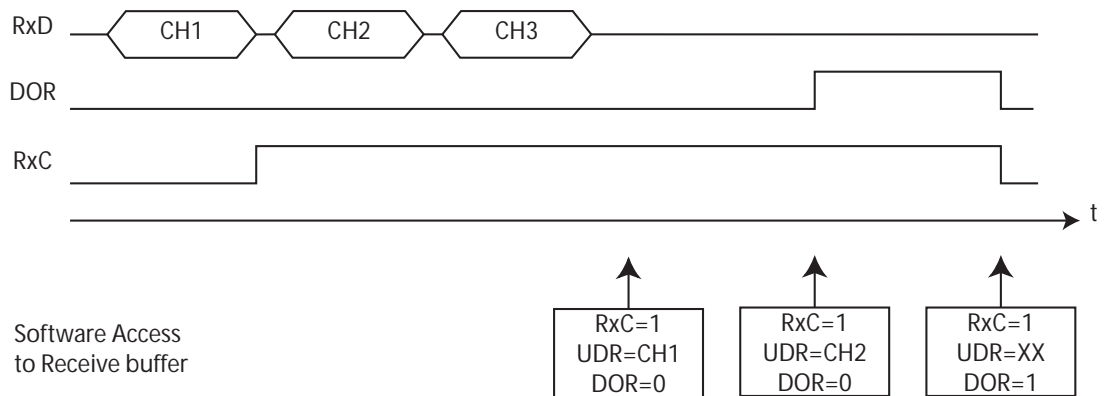
The USART Receiver has three error flags: Frame Error (FE), Data OverRun (DOR) and Parity Error (UPE). All can be accessed by reading UCSRA. Common for the error flags is that they are located in the receive buffer together with the frame for which they indicate the error status. Due to the buffering of the error flags, the UCSRA must be read before the receive buffer (UDR), since reading the UDR I/O location changes the buffer read location. Another equality for the error flags is that they can not be altered by software doing a write to the flag location. However, all flags must be set to zero when the UCSRA is written for upward compatibility of future USART implementations. None of the error flags can generate interrupts.

The Frame Error (FE) flag indicates the state of the first stop bit of the next readable frame stored in the receive buffer. The FE flag is zero when the stop bit was correctly read (as one), and the FE flag will be one when the stop bit was incorrect (zero). This flag can be used for detecting out-of-sync conditions, detecting break conditions and protocol handling. The FE flag is not affected by the setting of the USBS bit in UCSRC since the Receiver ignores all, except for the first, stop bits. For compatibility with future devices, always set this bit to zero when writing to UCSRA.

The Data OverRun (DOR) flag indicates data loss due to a receiver buffer full condition. A Data OverRun occurs when the receive buffer is full (two characters), it is a new character waiting in the Receive Shift Register, and a new start bit is detected. If the DOR flag is set there was one or more serial frame lost between the frame last read from UDR, and the next frame read from UDR. For compatibility with future devices, always write this bit to zero when writing to UCSRA. The DOR flag is cleared when the frame received was successfully moved from the Shift Register to the receive buffer.

The following example (See Figure 18-5.) represents a Data OverRun condition. As the receive buffer is full with CH1 and CH2, CH3 is lost. When a Data OverRun condition is detected, the OverRun error is memorized. When the two characters CH1 and CH2 are read from the receive buffer, the DOR bit is set (and not before) and RxC remains set to warn the application about the overrun error.

**Figure 18-5.** Data OverRun example



The Parity Error (UPE) Flag indicates that the next frame in the receive buffer had a Parity Error when received. If Parity Check is not enabled the UPE bit will always be read zero. For compatibility with future devices, always set this bit to zero when writing to UCSRA. For more details see [“Parity Bit Calculation” on page 190](#) and [“Parity Checker” on page 198](#).

### 18.7.5 Parity Checker

The Parity Checker is active when the high USART Parity mode (UPM1) bit is set. Type of Parity Check to be performed (odd or even) is selected by the UPM0 bit. When enabled, the Parity Checker calculates the parity of the data bits in incoming frames and compares the result with the parity bit from the serial frame. The result of the check is stored in the receive buffer together with the received data and stop bits. The Parity Error (UPE) flag can then be read by software to check if the frame had a Parity Error.

The UPE bit is set if the next character that can be read from the receive buffer had a Parity Error when received and the Parity Checking was enabled at that point (UPM1 = 1). This bit is valid until the receive buffer (UDR) is read.

### 18.7.6 Disabling the Receiver

In contrast to the Transmitter, disabling of the Receiver will be immediate. Data from ongoing receptions will therefore be lost. When disabled (i.e., the RXEN is set to zero) the Receiver will no longer override the normal function of the RxD port pin. The Receiver buffer FIFO will be flushed when the Receiver is disabled. Remaining data in the buffer will be lost

### 18.7.7 Flushing the Receive Buffer

The receiver buffer FIFO will be flushed when the Receiver is disabled, i.e., the buffer will be emptied of its contents. Unread data will be lost. If the buffer has to be flushed during normal operation, due to for instance an error condition, read the UDR I/O location until the RXC flag is cleared.

The following code example shows how to flush the receive buffer.

TABLE 2.

Assembly Code Example <sup>(1)</sup>
<pre> USART_Flush:     sbis UCSRA, RXC0     ret     lds r16, UDR     rjmp USART_Flush         </pre>
C Code Example <sup>(1)</sup>
<pre> void USART_Flush( void ) {     unsigned char dummy;     while ( UCSRA &amp; (1&lt;&lt;RXC0) ) dummy = UDR; }         </pre>

Note: 1. The example code assumes that the part specific header file is included. For I/O Registers located in extended I/O map, “IN”, “OUT”, “SBIS”, “SBIC”, “CBI”, and “SBI” instructions must be replaced with instructions that allow access to extended I/O. Typically “LDS” and “STS” combined with “SBR”, “SBRC”, “SBR”, and “CBR”.

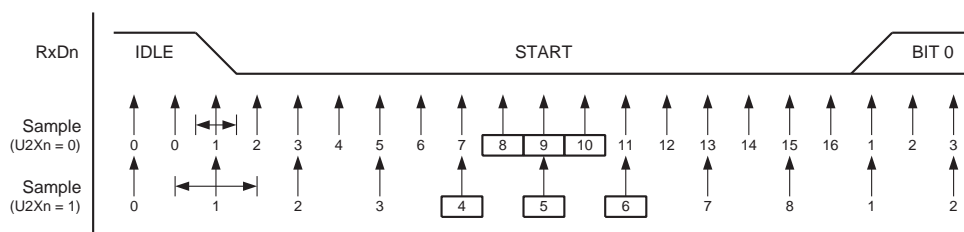
## 18.8 Asynchronous Data Reception

The USART includes a clock recovery and a data recovery unit for handling asynchronous data reception. The clock recovery logic is used for synchronizing the internally generated baud rate clock to the incoming asynchronous serial frames at the RxD pin. The data recovery logic samples and low pass filters each incoming bit, thereby improving the noise immunity of the Receiver. The asynchronous reception operational range depends on the accuracy of the internal baud rate clock, the rate of the incoming frames, and the frame size in number of bits.

### 18.8.1 Asynchronous Clock Recovery

The clock recovery logic synchronizes internal clock to the incoming serial frames. Figure 18-6 illustrates the sampling process of the start bit of an incoming frame. The sample rate is 16 times the baud rate for Normal mode, and eight times the baud rate for Double Speed mode. The horizontal arrows illustrate the synchronization variation due to the sampling process. Note the larger time variation when using the Double Speed mode (U2X = 1) of operation. Samples denoted zero are samples done when the RxD line is idle (i.e., no communication activity).

Figure 18-6. Start Bit Sampling



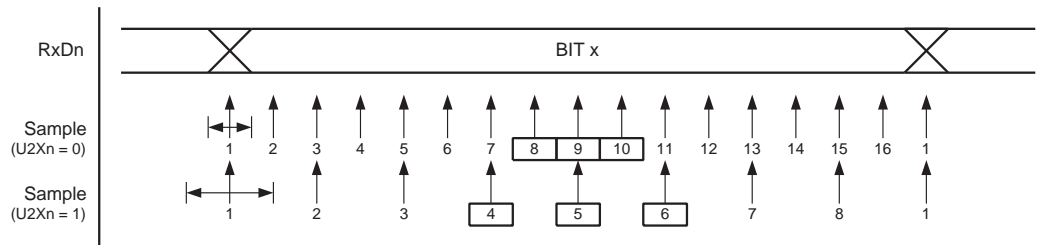
When the clock recovery logic detects a high (idle) to low (start) transition on the RxD line, the start bit detection sequence is initiated. Let sample 1 denote the first zero-sample as shown in the figure. The clock recovery logic then uses samples 8, 9, and 10 for Normal mode, and sam-

ples 4, 5, and 6 for Double Speed mode (indicated with sample numbers inside boxes on the figure), to decide if a valid start bit is received. If two or more of these three samples have logical high levels (the majority wins), the start bit is rejected as a noise spike and the Receiver starts looking for the next high to low-transition. If however, a valid start bit is detected, the clock recovery logic is synchronized and the data recovery can begin. The synchronization process is repeated for each start bit.

### 18.8.2 Asynchronous Data Recovery

When the receiver clock is synchronized to the start bit, the data recovery can begin. The data recovery unit uses a state machine that has 16 states for each bit in Normal mode and eight states for each bit in Double Speed mode. Figure 18-7 shows the sampling of the data bits and the parity bit. Each of the samples is given a number that is equal to the state of the recovery unit.

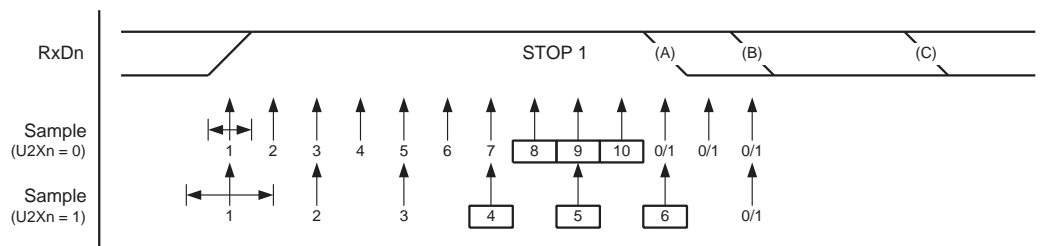
**Figure 18-7.** Sampling of Data and Parity Bit



The decision of the logic level of the received bit is taken by doing a majority voting of the logic value to the three samples in the center of the received bit. The center samples are emphasized on the figure by having the sample number inside boxes. The majority voting process is done as follows: If two or all three samples have high levels, the received bit is registered to be a logic 1. If two or all three samples have low levels, the received bit is registered to be a logic 0. This majority voting process acts as a low pass filter for the incoming signal on the RxD pin. The recovery process is then repeated until a complete frame is received. Including the first stop bit. Note that the Receiver only uses the first stop bit of a frame.

Figure 18-8 shows the sampling of the stop bit and the earliest possible beginning of the start bit of the next frame.

**Figure 18-8.** Stop Bit Sampling and Next Start Bit Sampling



The same majority voting is done to the stop bit as done for the other bits in the frame. If the stop bit is registered to have a logic 0 value, the Frame Error (FE) flag will be set.

A new high to low transition indicating the start bit of a new frame can come right after the last of the bits used for majority voting. For Normal Speed mode, the first low level sample can be at



point marked (A) in [Figure 18-8](#). For Double Speed mode the first low level must be delayed to (B). (C) marks a stop bit of full length. The early start bit detection influences the operational range of the Receiver.

### 18.8.3 Asynchronous Operational Range

The operational range of the Receiver is dependent on the mismatch between the received bit rate and the internally generated baud rate. If the Transmitter is sending frames at too fast or too slow bit rates, or the internally generated baud rate of the Receiver does not have a similar (see [Table 18-2](#)) base frequency, the Receiver will not be able to synchronize the frames to the start bit.

The following equations can be used to calculate the ratio of the incoming data rate and internal receiver baud rate.

**Table 1.**

$$R_{slow} = \frac{(D + 1)S}{S - 1 + D \cdot S + S_F} \qquad R_{fast} = \frac{(D + 2)S}{(D + 1)S + S_M}$$

- D** Sum of character size and parity size (D = 5 to 10 bit)
- S** Samples per bit. S = 16 for Normal Speed mode and S = 8 for Double Speed mode.
- S<sub>F</sub>** First sample number used for majority voting. S<sub>F</sub> = 8 for normal speed and S<sub>F</sub> = 4 for Double Speed mode.
- S<sub>M</sub>** Middle sample number used for majority voting. S<sub>M</sub> = 9 for normal speed and S<sub>M</sub> = 5 for Double Speed mode.
- R<sub>slow</sub>** is the ratio of the slowest incoming data rate that can be accepted in relation to the receiver baud rate.
- R<sub>fast</sub>** is the ratio of the fastest incoming data rate that can be accepted in relation to the receiver baud rate.

[Table 18-2](#) and [Table 18-3](#) list the maximum receiver baud rate error that can be tolerated. Note that Normal Speed mode has higher toleration of baud rate variations.

**Table 18-2.** Recommended Maximum Receiver Baud Rate Error for Normal Speed Mode (U2X = 0)

D # (Data+Parity Bit)	R <sub>slow</sub> (%)	R <sub>fast</sub> (%)	Max Total Error (%)	Recommended Max Receiver Error (%)
5	93.20	106.67	+6.67/-6.8	± 3.0
6	94.12	105.79	+5.79/-5.88	± 2.5
7	94.81	105.11	+5.11/-5.19	± 2.0
8	95.36	104.58	+4.58/-4.54	± 2.0
9	95.81	104.14	+4.14/-4.19	± 1.5
10	96.17	103.78	+3.78/-3.83	± 1.5

**Table 18-3.** Recommended Maximum Receiver Baud Rate Error for Double Speed Mode (U2X = 1)

D # (Data+Parity Bit)	R <sub>slow</sub> (%)	R <sub>fast</sub> (%)	Max Total Error (%)	Recommended Max Receiver Error (%)
5	94.12	105.66	+5.66/-5.88	± 2.5
6	94.92	104.92	+4.92/-5.08	± 2.0
7	95.52	104.35	+4.35/-4.48	± 1.5
8	96.00	103.90	+3.90/-4.00	± 1.5
9	96.39	103.53	+3.53/-3.61	± 1.5
10	96.70	103.23	+3.23/-3.30	± 1.0

The recommendations of the maximum receiver baud rate error was made under the assumption that the Receiver and Transmitter equally divides the maximum total error.

There are two possible sources for the receivers baud rate error. The Receiver's system clock (XTAL) will always have some minor instability over the supply voltage range and the temperature range. When using a crystal to generate the system clock, this is rarely a problem, but for a resonator the system clock may differ more than 2% depending of the resonators tolerance. The second source for the error is more controllable. The baud rate generator can not always do an exact division of the system frequency to get the baud rate wanted. In this case an UBRR value that gives an acceptable low error can be used if possible.

## 18.9 Multi-processor Communication Mode

This mode is available only in USART mode, not in EUSART.

Setting the Multi-processor Communication mode (MPCM) bit in UCSRA enables a filtering function of incoming frames received by the USART Receiver. Frames that do not contain address information will be ignored and not put into the receive buffer. This effectively reduces the number of incoming frames that has to be handled by the CPU, in a system with multiple MCUs that communicate via the same serial bus. The Transmitter is unaffected by the MPCM setting, but has to be used differently when it is a part of a system utilizing the Multi-processor Communication mode.

### 18.9.1 MPCM Protocol

If the Receiver is set up to receive frames that contain 5 to 8 data bits, then the first stop bit indicates if the frame contains data or address information. If the Receiver is set up for frames with nine data bits, then the ninth bit (RXB8) is used for identifying address and data frames. When the frame type bit (the first stop or the ninth bit) is one, the frame contains an address. When the frame type bit is zero the frame is a data frame.

The Multi-processor Communication mode enables several slave MCUs to receive data from a master MCU. This is done by first decoding an address frame to find out which MCU has been addressed. If a particular slave MCU has been addressed, it will receive the following data frames as normal, while the other slave MCUs will ignore the received frames until another address frame is received.

## 18.9.2 Using MPCM

For an MCU to act as a master MCU, it can use a 9-bit character frame format (UCSZ = 7). The ninth bit (TXB8) must be set when an address frame (TXB8 = 1) or cleared when a data frame (TXBn = 0) is being transmitted. The slave MCUs must in this case be set to use a 9-bit character frame format.

The following procedure should be used to exchange data in Multi-processor Communication mode:

1. All Slave MCUs are in Multi-processor Communication mode (MPCM in UCSRA is set).
2. The Master MCU sends an address frame, and all slaves receive and read this frame. In the Slave MCUs, the RXC flag in UCSRA will be set as normal.
3. Each Slave MCU reads the UDR Register and determines if it has been selected. If so, it clears the MPCM bit in UCSRA, otherwise it waits for the next address byte and keeps the MPCM setting.
4. The addressed MCU will receive all data frames until a new address frame is received. The other Slave MCUs, which still have the MPCM bit set, will ignore the data frames.
5. When the last data frame is received by the addressed MCU, the addressed MCU sets the MPCM bit and waits for a new address frame from master. The process then repeats from 2.

Using any of the 5- to 8-bit character frame formats is possible, but impractical since the Receiver must change between using N and N+1 character frame formats. This makes full-duplex operation difficult since the Transmitter and Receiver use the same character size setting. If 5- to 8-bit character frames are used, the Transmitter must be set to use two stop bits (USBS = 1) since the first stop bit is used for indicating the frame type.

## 18.10 USART Register Description

### 18.10.1 USART I/O Data Register – UDR

Bit	7	6	5	4	3	2	1	0	
	RXB[7:0]								UDR (Read)
	TXB[7:0]								UDR (Write)
Read/Write	R/W	R/W	R/W	R/W	R/W	R/W	R/W	R/W	R/W
Initial Value	0	0	0	0	0	0	0	0	0

- **Bit 7:0 – RxB7:0: Receive Data Buffer** (read access)
- **Bit 7:0 – TxB7:0: Transmit Data Buffer** (write access)

The USART Transmit Data Buffer Register and USART Receive Data Buffer Registers share the same I/O address referred to as USART Data Register or UDR. The Transmit Data Buffer Register (TXBn) will be the destination for data written to the UDR Register location. Reading the UDR Register location will return the contents of the Receive Data Buffer Register (RXBn).

For 5-, 6-, or 7-bit characters the upper unused bits will be ignored by the Transmitter and set to zero by the Receiver.

The transmit buffer can only be written when the UDRE flag in the UCSRA Register is set. Data written to UDR when the UDRE flag is not set, will be ignored by the USART Transmitter. When data is written to the transmit buffer, and the Transmitter is enabled, the Transmitter will load the data into the Transmit Shift Register when the Shift Register is empty. Then the data will be serially transmitted on the TxDn pin.

The receive buffer consists of a two level FIFO. The FIFO will change its state whenever the receive buffer is accessed.

This register is available in both USART and EUSART modes.

### 18.10.2 USART Control and Status Register A – UCSRA

Bit	7	6	5	4	3	2	1	0	
	RXC	TXC	UDRE	FE	DOR	UPE	U2X	MPCM	UCSRA
Read/Write	R	R/W	R	R	R	R	R/W	R/W	
Initial Value	0	0	1	0	0	0	0	0	

- **Bit 7 – RXC: USART Receive Complete**

This flag bit is set when there are unread data in the receive buffer and cleared when the receive buffer is empty (i.e., does not contain any unread data). If the Receiver is disabled, the receive buffer will be flushed and consequently the RXC bit will become zero. The RXC flag can be used to generate a Receive Complete interrupt (see description of the RXCIE bit).

This bit is available in both USART and EUSART modes.

- **Bit 6 – TXC: USART Transmit Complete**

This flag bit is set when the entire frame in the Transmit Shift Register has been shifted out and there are no new data currently present in the transmit buffer (UDR). The TXC flag bit is automatically cleared when a transmit complete interrupt is executed, or it can be cleared by writing a one to its bit location. The TXC flag can generate a Transmit Complete interrupt (see description of the TXCIE bit).

This bit is available in both USART and EUSART modes.

- **Bit 5 – UDRE: USART Data Register Empty**

The UDRE flag indicates if the transmit buffer (UDR) is ready to receive new data. If UDRE is one, the buffer is empty, and therefore ready to be written. The UDRE flag can generate a Data Register Empty interrupt (see description of the UDRIE bit).

UDRE is set after a reset to indicate that the Transmitter is ready.

This bit is available in both USART and EUSART modes.

- **Bit 4 – FE: Frame Error**

This bit is set if the next character in the receive buffer had a Frame Error when received. I.e., when the first stop bit of the next character in the receive buffer is zero. This bit is valid until the receive buffer (UDR) is read. The FE bit is zero when the stop bit of received data is one. Always set this bit to zero when writing to UCSRA.

This bit is also valid in EUSART mode only when data bits are level encoded (in Manchester mode the FEM bit allows to detect a framing error).

- **Bit 3 – DOR: Data OverRun**

This bit is set if a Data OverRun condition is detected. A Data OverRun occurs when the receive buffer is full (two characters), it is a new character waiting in the Receive Shift Register, and a new start bit is detected. This bit is valid until the receive buffer (UDR) is read. Always set this bit to zero when writing to UCSRA.

This bit is available in both USART and EUSART modes.

- **Bit 2 – UPE: USART Parity Error**

This bit is set if the next character in the receive buffer had a Parity Error when received and the Parity Checking was enabled at that point (UPM1 = 1). This bit is valid until the receive buffer (UDR) is read. Always set this bit to zero when writing to UCSRA.

This bit is also valid in EUSART mode only when data bits are level encoded (there is no parity in Manchester mode).

- **Bit 1 – U2X: Double the USART Transmission Speed**

This bit only has effect for the asynchronous operation. Write this bit to zero when using synchronous operation.

Writing this bit to one will reduce the divisor of the baud rate divider from 16 to 8 effectively doubling the transfer rate for asynchronous communication.

This bit is available in both USART and EUSART modes.

- **Bit 0 – MPCM: Multi-processor Communication Mode**

This bit enables the Multi-processor Communication mode. When the MPCM bit is written to one, all the incoming frames received by the USART Receiver that do not contain address information will be ignored. The Transmitter is unaffected by the MPCM setting. For more detailed information see [“Multi-processor Communication Mode” on page 202](#).

This mode is unavailable when the EUSART mode is set.

### 18.10.3 USART Control and Status Register B – UCSRB

Bit	7	6	5	4	3	2	1	0	
	<b>RXCIE</b>	<b>TXCIE</b>	<b>UDRIE</b>	<b>RXEN</b>	<b>TXEN</b>	<b>UCSZ2</b>	<b>RXB8</b>	<b>TXB8</b>	<b>UCSRB</b>
Read/Write	R/W	R/W	R/W	R/W	R/W	R/W	R	R/W	
Initial Value	0	0	0	0	0	0	0	0	

- **Bit 7 – RXCIE: RX Complete Interrupt Enable**

Writing this bit to one enables interrupt on the RXC flag. A USART Receive Complete interrupt will be generated only if the RXCIE bit is written to one, the Global Interrupt Flag in SREG is written to one and the RXC bit in UCSRA is set.

This bit is available for both USART and EUSART modes.

- **Bit 6 – TXCIE: TX Complete Interrupt Enable**

Writing this bit to one enables interrupt on the TXC flag. A USART Transmit Complete interrupt will be generated only if the TXCIE bit is written to one, the Global Interrupt Flag in SREG is written to one and the TXC bit in UCSRA is set.

This bit is available for both USART and EUSART mode.

- **Bit 5 – UDRIE: USART Data Register Empty Interrupt Enable**

Writing this bit to one enables interrupt on the UDRE flag. A Data Register Empty interrupt will be generated only if the UDRIE bit is written to one, the Global Interrupt Flag in SREG is written to one and the UDRE bit in UCSRA is set.

This bit is available for both USART and EUSART mode.

- **Bit 4 – RXEN: Receiver Enable**

Writing this bit to one enables the USART Receiver. The Receiver will override normal port operation for the RxD pin when enabled. Disabling the Receiver will flush the receive buffer invalidating the FE, DOR, and UPE Flags.

This bit is available for both USART and EUSART mode.

- **Bit 3 – TXEN: Transmitter Enable**

Writing this bit to one enables the USART Transmitter. The Transmitter will override normal port operation for the TxDn pin when enabled. The disabling of the Transmitter (writing TXEN to zero) will not become effective until ongoing and pending transmissions are completed, i.e., when the Transmit Shift Register and Transmit Buffer Register do not contain data to be transmitted. When disabled, the Transmitter will no longer override the TxDn port.

This bit is available for both USART and EUSART mode.

- **Bit 2 – UCSZ2: Character Size**

The UCSZ2 bits combined with the UCSZ1:0 bit in UCSRC sets the number of data bits (Character Size) in a frame the Receiver and Transmitter use.

This bit have no effect when the EUSART mode is enabled.

- **Bit 1 – RXB8: Receive Data Bit 8**

RXB8 is the ninth data bit of the received character when operating with serial frames with nine data bits. Must be read before reading the low bits from UDR.

When the EUSART mode is enable and configured in 17 bits receive mode, this bit contains the seventeenth bit (see EUSART section).

- **Bit 0 – TXB8: Transmit Data Bit 8**

TXB8 is the ninth data bit in the character to be transmitted when operating with serial frames with nine data bits. Must be written before writing the low bits to UDR.

When the EUSART mode is enable and configured in 17 bits transmit mode, this bit contains the seventeenth bit (See EUSART section).

#### 18.10.4 USART Control and Status Register C – UCSRC

Bit	7	6	5	4	3	2	1	0	
	-	UMSEL0	UPM1	UPM0	USBS	UCSZ1	UCSZ0	UCPOL	UCSRC
Read/Write	R/W	R/W	R/W	R/W	R/W	R/W	R/W	R/W	
Initial Value	0	0	0	0	0	1	1	0	

- **Bit 7 – Reserved Bit**

This bit is reserved for future use. For compatibility with future devices, this bit must be written to zero when UCSRC is written.

- **Bit 6 – UMSEL: USART Mode Select**

This bit selects between asynchronous and synchronous mode of operation.

**Table 18-4.** UMSEL Bit Settings

UMSEL	Mode
0	Asynchronous Operation
1	Synchronous Operation

When configured in EUSART mode, the synchronous mode should not be set with Manchester mode (See EUSART section).

- **Bit 5:4 – UPM1:0: Parity Mode**

These bits enable and set type of parity generation and check. If enabled, the Transmitter will automatically generate and send the parity of the transmitted data bits within each frame. The Receiver will generate a parity value for the incoming data and compare it to the UPM setting. If a mismatch is detected, the UPE Flag in UCSRA will be set.

**Table 18-5.** UPM Bits Settings

UPM1	UPM0	Parity Mode
0	0	Disabled
0	1	Reserved
1	0	Enabled, Even Parity
1	1	Enabled, Odd Parity

This setting is available in EUSART mode only when data bits are level encoded (in Manchester the parity checker and generator are not available).

- **Bit 3 – USBS: Stop Bit Select**

This bit selects the number of stop bits to be inserted by the Transmitter. The Receiver ignores this setting.

In EUSART mode, the USBS bit has the same behavior and the EUSB bit of the EUSART allows to configure the number of stop bit for the receiver in this mode.

**Table 18-6.** USBS Bit Settings

USBS	Stop Bit(s)
0	1-bit
1	2-bit

- **Bit 2:1 – UCSZ1:0: Character Size**

The UCSZ1:0 bits combined with the UCSZ2 bit in UCSRB sets the number of data bits (Character SiZe) in a frame the Receiver and Transmitter use.

**Table 18-7.** UCSZ Bits Settings

UCSZ2	UCSZ1	UCSZ0	Character Size
0	0	0	5-bit
0	0	1	6-bit
0	1	0	7-bit
0	1	1	8-bit
1	0	0	Reserved
1	0	1	Reserved
1	1	0	Reserved
1	1	1	9-bit

When the EUSART mode is set, these bits have no effect.

- **Bit 0 – UCPOL: Clock Polarity**

This bit is used for synchronous mode only. Write this bit to zero when asynchronous mode is used. The UCPOL bit sets the relationship between data output change and data input sample, and the synchronous clock (XCK).

**Table 18-8.** UCPOL Bit Settings

UCPOL	Transmitted Data Changed (Output of Tx/Dn Pin)	Received Data Sampled (Input on Rx/Dn Pin)
0	Rising XCK Edge	Falling XCK Edge
1	Falling XCK Edge	Rising XCK Edge

### 18.10.5 USART Baud Rate Registers – UBRRL and UBRRH

Bit	15	14	13	12	11	10	9	8	
	–	–	–	–	UBRR[11:8]				UBRRH
	UBRR[7:0]								UBRRL
	7	6	5	4	3	2	1	0	
Read/Write	R	R	R	R	R/W	R/W	R/W	R/W	
	R/W	R/W	R/W	R/W	R/W	R/W	R/W	R/W	
Initial Value	0	0	0	0	0	0	0	0	
	0	0	0	0	0	0	0	0	

- **Bit 15:12 – Reserved Bits**

These bits are reserved for future use. For compatibility with future devices, these bit must be written to zero when UBRRH is written.

- **Bit 11:0 – UBRR11:0: USART Baud Rate Register**

This is a 12-bit register which contains the USART baud rate. The UBRRH contains the four most significant bits, and the UBRRL contains the eight least significant bits of the USART baud rate. Ongoing transmissions by the Transmitter and Receiver will be corrupted if the baud rate is changed. Writing UBRRL will trigger an immediate update of the baud rate prescaler.



## 18.11 Examples of Baud Rate Setting

For standard crystal, resonator and external oscillator frequencies, the most commonly used baud rates for asynchronous operation can be generated by using the UBRR settings in [Table 18-9](#) up to [Table 18-12](#). UBRR values which yield an actual baud rate differing less than 0.5% from the target baud rate, are bold in the table. Higher error ratings are acceptable, but the Receiver will have less noise resistance when the error ratings are high, especially for large serial frames (see [“Asynchronous Operational Range” on page 201](#)). The error values are calculated using the following equation:

$$\text{Error}[\%] = \left(1 - \frac{\text{BaudRate}_{\text{Closest Match}}}{\text{BaudRate}}\right) \cdot 100\%$$

**Table 18-9.** Examples of UBRR Settings for Commonly Frequencies

Baud Rate (bps)	f <sub>clk<sub>io</sub></sub> = 1.0000 MHz				f <sub>clk<sub>io</sub></sub> = 1.8432 MHz				f <sub>clk<sub>io</sub></sub> = 2.0000 MHz			
	U2X = 0		U2X = 1		U2X = 0		U2X = 1		U2X = 0		U2X = 1	
	UBRR	Error	UBRR	Error	UBRR	Error	UBRR	Error	UBRR	Error	UBRR	Error
2400	25	0.2%	51	0.2%	47	0.0%	95	0.0%	51	0.2%	103	0.2%
4800	12	0.2%	25	0.2%	23	0.0%	47	0.0%	25	0.2%	51	0.2%
9600	6	-7.0%	12	0.2%	11	0.0%	23	0.0%	12	0.2%	25	0.2%
14.4k	3	8.5%	8	-3.5%	7	0.0%	15	0.0%	8	-3.5%	16	2.1%
19.2k	2	8.5%	6	-7.0%	5	0.0%	11	0.0%	6	-7.0%	12	0.2%
28.8k	1	8.5%	3	8.5%	3	0.0%	7	0.0%	3	8.5%	8	-3.5%
38.4k	1	-18.6%	2	8.5%	2	0.0%	5	0.0%	2	8.5%	6	-7.0%
57.6k	0	8.5%	1	8.5%	1	0.0%	3	0.0%	1	8.5%	3	8.5%
76.8k	–	–	1	-18.6%	1	-25.0%	2	0.0%	1	-18.6%	2	8.5%
115.2k	–	–	0	8.5%	0	0.0%	1	0.0%	0	8.5%	1	8.5%
230.4k	–	–	–	–	–	–	0	0.0%	–	–	–	–
250k	–	–	–	–	–	–	–	–	–	–	–	–
500k	–	–	–	–	–	–	–	–	–	–	–	–
1M	–	–	–	–	–	–	–	–	–	–	–	–
Max. <sup>(1)</sup>	62.5 kbps		125 kbps		115.2 kbps		230.4 Kbps		125 kbps		250 kbps	

1. UBRR = 0, Error = 0.0%

**Table 18-10.** Examples of UBRR Settings for Commonly Frequencies (Continued)

Baud Rate (bps)	$f_{clk_{io}} = 3.6864 \text{ MHz}$				$f_{clk_{io}} = 4.0000 \text{ MHz}$				$f_{clk_{io}} = 7.3728 \text{ MHz}$			
	U2X = 0		U2X = 1		U2X = 0		U2X = 1		U2X = 0		U2X = 1	
	UBRR	Error	UBRR	Error	UBRR	Error	UBRR	Error	UBRR	Error	UBRR	Error
2400	95	0.0%	191	0.0%	103	0.2%	207	0.2%	191	0.0%	383	0.0%
4800	47	0.0%	95	0.0%	51	0.2%	103	0.2%	95	0.0%	191	0.0%
9600	23	0.0%	47	0.0%	25	0.2%	51	0.2%	47	0.0%	95	0.0%
14.4k	15	0.0%	31	0.0%	16	2.1%	34	-0.8%	31	0.0%	63	0.0%
19.2k	11	0.0%	23	0.0%	12	0.2%	25	0.2%	23	0.0%	47	0.0%
28.8k	7	0.0%	15	0.0%	8	-3.5%	16	2.1%	15	0.0%	31	0.0%
38.4k	5	0.0%	11	0.0%	6	-7.0%	12	0.2%	11	0.0%	23	0.0%
57.6k	3	0.0%	7	0.0%	3	8.5%	8	-3.5%	7	0.0%	15	0.0%
76.8k	2	0.0%	5	0.0%	2	8.5%	6	-7.0%	5	0.0%	11	0.0%
115.2k	1	0.0%	3	0.0%	1	8.5%	3	8.5%	3	0.0%	7	0.0%
230.4k	0	0.0%	1	0.0%	0	8.5%	1	8.5%	1	0.0%	3	0.0%
250k	0	-7.8%	1	-7.8%	0	0.0%	1	0.0%	1	-7.8%	3	-7.8%
500k	–	–	0	-7.8%	–	–	0	0.0%	0	-7.8%	1	-7.8%
1M	–	–	–	–	–	–	–	–	–	–	0	-7.8%
Max. <sup>(1)</sup>	230.4 kbps		460.8 kbps		250 kbps		0.5 Mbps		460.8 kbps		921.6 kbps	

1. UBRR = 0, Error = 0.0%

**Table 18-11.** Examples of UBRR Settings for Commonly Frequencies (Continued)

Baud Rate (bps)	$f_{clk_{io}} = 8.0000 \text{ MHz}$				$f_{clk_{io}} = 10.000 \text{ MHz}$				$f_{clk_{io}} = 11.0592 \text{ MHz}$			
	U2X = 0		U2X = 1		U2X = 0		U2X = 1		U2X = 0		U2X = 1	
	UBRR	Error	UBRR	Error	UBRR	Error	UBRR	Error	UBRR	Error	UBRR	Error
2400	207	0.2%	416	-0.1%	259	0.2%	520	0.0%	287	0.0%	575	0.0%
4800	103	0.2%	207	0.2%	129	0.2%	259	0.2%	143	0.0%	287	0.0%
9600	51	0.2%	103	0.2%	64	0.2%	129	0.2%	71	0.0%	143	0.0%
14.4k	34	-0.8%	68	0.6%	42	0.9%	86	0.2%	47	0.0%	95	0.0%
19.2k	25	0.2%	51	0.2%	32	-1.4%	64	0.2%	35	0.0%	71	0.0%
28.8k	16	2.1%	34	-0.8%	21	-1.4%	42	0.9%	23	0.0%	47	0.0%
38.4k	12	0.2%	25	0.2%	15	1.8%	32	-1.4%	17	0.0%	35	0.0%
57.6k	8	-3.5%	16	2.1%	10	-1.5%	21	-1.4%	11	0.0%	23	0.0%
76.8k	6	-7.0%	12	0.2%	7	1.9%	15	1.8%	8	0.0%	17	0.0%
115.2k	3	8.5%	8	-3.5%	4	9.6%	10	-1.5%	5	0.0%	11	0.0%
230.4k	1	8.5%	3	8.5%	2	-16.8%	4	9.6%	2	0.0%	5	0.0%
250k	1	0.0%	3	0.0%	2	-33.3%	4	0.0%	2	-7.8%	5	-7.8%
500k	0	0.0%	1	0.0%	–	–	2	-33.3%	–	–	2	-7.8%
1M	–	–	0	0.0%	–	–	–	–	–	–	–	–
Max. <sup>(1)</sup>	0.5 Mbps		1 Mbps		625 kbps		1.25 Mbps		691.2 kbps		1.3824 Mbps	

1. UBRR = 0, Error = 0.0%

**Table 18-12.** Examples of UBRR Settings for Commonly Frequencies (Continued)

Baud Rate (bps)	$f_{clk_{io}} = 12.0000 \text{ MHz}$				$f_{clk_{io}} = 14.7456 \text{ MHz}$				$f_{clk_{io}} = 16.0000 \text{ MHz}$			
	U2X = 0		U2X = 1		U2X = 0		U2X = 1		U2X = 0		U2X = 1	
	UBRR	Error	UBRR	Error	UBRR	Error	UBRR	Error	UBRR	Error	UBRR	Error
2400	312	-0.2%	624	0.0%	383	0.0%	767	0.0%	416	-0.1%	832	0.0%
4800	155	0.2%	312	-0.2%	191	0.0%	383	0.0%	207	0.2%	416	-0.1%
9600	77	0.2%	155	0.2%	95	0.0%	191	0.0%	103	0.2%	207	0.2%
14.4k	51	0.2%	103	0.2%	63	0.0%	127	0.0%	68	0.6%	138	-0.1%
19.2k	38	0.2%	77	0.2%	47	0.0%	95	0.0%	51	0.2%	103	0.2%
28.8k	25	0.2%	51	0.2%	31	0.0%	63	0.0%	34	-0.8%	68	0.6%
38.4k	19	-2.5%	38	0.2%	23	0.0%	47	0.0%	25	0.2%	51	0.2%
57.6k	12	0.2%	25	0.2%	15	0.0%	31	0.0%	16	2.1%	34	-0.8%
76.8k	9	-2.7%	19	-2.5%	11	0.0%	23	0.0%	12	0.2%	25	0.2%
115.2k	6	-8.9%	12	0.2%	7	0.0%	15	0.0%	8	-3.5%	16	2.1%
230.4k	2	11.3%	6	-8.9%	3	0.0%	7	0.0%	3	8.5%	8	-3.5%
250k	2	0.0%	5	0.0%	3	-7.8%	6	5.3%	3	0.0%	7	0.0%
500k	–	–	2	0.0%	1	-7.8%	3	-7.8%	1	0.0%	3	0.0%
1M	–	–	–	–	0	-7.8%	1	-7.8%	0	0.0%	1	0.0%
Max. <sup>(1)</sup>	750 kbps		1.5 Mbps		921.6 kbps		1.8432 Mbps		1 Mbps		2 Mbps	

1. UBRR = 0, Error = 0.0%

## 19. EUSART (Extended USART)

The Extended Universal Synchronous and Asynchronous serial Receiver and Transmitter (EUSART) provides functional extensions to the USART.

### 19.1 Features

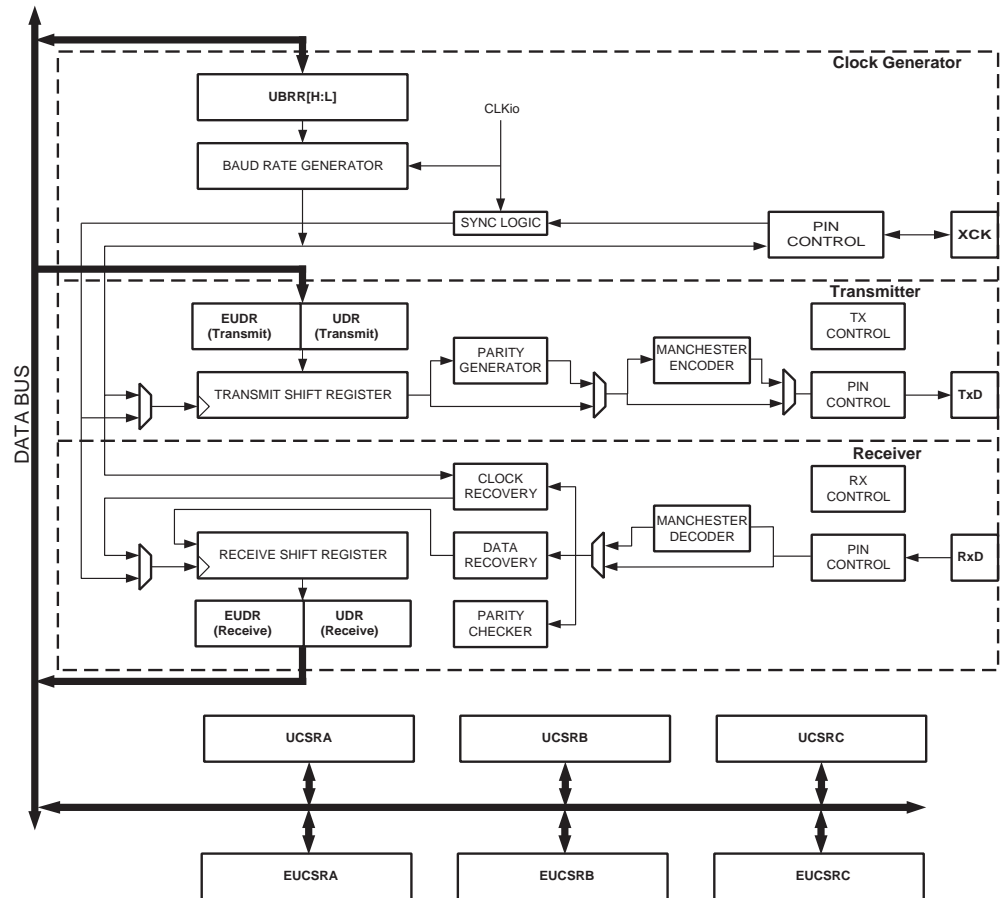
- Independent bit number configuration for transmit and receive
- Supports Serial Frames with 5, 6, 7, 8, 9 or 13, 14, 15, 16, 17 Data Bits and 1 or 2 Stop Bits
- Biphase Manchester encoder/decoder (for DALI Communications)
- Manchester framing error detection
- Bit ordering (MSB first or LSB first)

### 19.2 Overview

A simplified block diagram of the EUSART Transmitter is shown in [Figure 19-1](#). CPU accessible I/O Registers and I/O pins are shown in bold.

**Figure 19-1.** EUSART Block Diagram

The EUSART is activated with the EUSART bit of EUCSRB register. Until this bit is not set, the USART will behave as standard USART, all the functionalities of the EUSART are not accessible.



The EUSART supports more serial frame formats than the standard USART interface:

- Asynchronous frames
  - Standard bit level encoded
  - Manchester bit encoded
- Synchronous frames
  - In this mode only the Standard bit level encoded is available

### 19.3 Serial Frames

A serial frame is defined to be one character of data bits with synchronization bits (start and stop bits), and optionally a parity bit for error checking.

#### 19.3.1 Frame Formats

The EUSART allows to receive and transmit serial frame with the following format:

- 1 start bit
- 5, 6, 7, 8, 9, 13, 14,15,16,17 data bits
- data bits and start bit level encoded or Manchester encoded
- data transmission MSB or LSB first (bit ordering)
- no, even or odd parity bit
- 1 or 2 stop bits:

- Stop bits insertion for transmission
- Stop bits value read access in reception

The frame format used by the EUSART can be configured through the following USART/EUSART registers:

- UTxS3:0 and URxS3:0 (EUCSRA of EUSART register) select the number of data bits per frame
- UPM1:0 bits enable and set the type of parity bit (when configured in Manchester mode, the parity should be fixed to none).

USBS (UCSRC register of USART) and EUSBS (EUCSRB register of EUSART) select the number of stop bits to be processed respectively by the transmitter and the receiver. The receiver stores the two stop bit values when configured in Manchester mode. When configured in level encoded mode, the second stop bit is ignored (behavior similar as the USART).

### 19.3.2 Parity Bit Calculation

The parity bit behavior is similar to the USART mode, except for the Manchester encoded mode, where no parity bit can be inserted or detected (should be configured to none with the UPM1:0 bits). The parity bit is calculated by doing an exclusive-or of all the data bits. If odd parity is used, the result of the exclusive or is inverted. The relation between the parity bit and data bits is as follows:

$$P_{even} = d_{n-1} \oplus \dots \oplus d_3 \oplus d_2 \oplus d_1 \oplus d_0 \oplus 0$$

$$P_{odd} = d_{n-1} \oplus \dots \oplus d_3 \oplus d_2 \oplus d_1 \oplus d_0 \oplus 1$$

<b>P<sub>even</sub></b>	Parity bit using even parity
<b>P<sub>odd</sub></b>	Parity bit using odd parity
<b>d<sub>n</sub></b>	Data bit n of the character

If used, the parity bit is located between the last data bit and first stop bit of a serial frame.

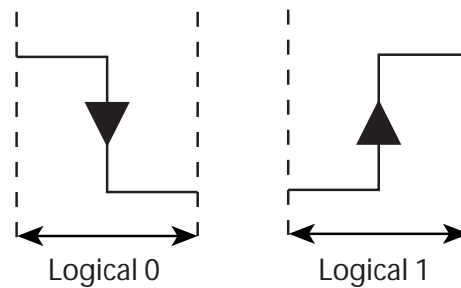
### 19.3.3 Manchester encoding

Manchester encoding (also know as Biphase Code) is a synchronous clock encoding technique used to encode the clock and data of a synchronous bit stream. In this technique, the actual binary data to be transmitted are not sent as a sequence of logic 1's and 0's as in level encoded way as in standard USART (known technically as Non Return to Zero (NRZ)). Instead, the bits are translated into a slightly different format that has a number of advantages over using straight binary encoding (i.e. NRZ).

Manchester encoding follows the rules:

- If the original data is a Logic 1, the Manchester code is: 0 to 1 (upward transition at bit center)
- If the original data is a Logic 0, the Manchester code is: 1 to 0 (downward transition at bit center)

**Figure 19-2.** Manchester Bi-phase levels

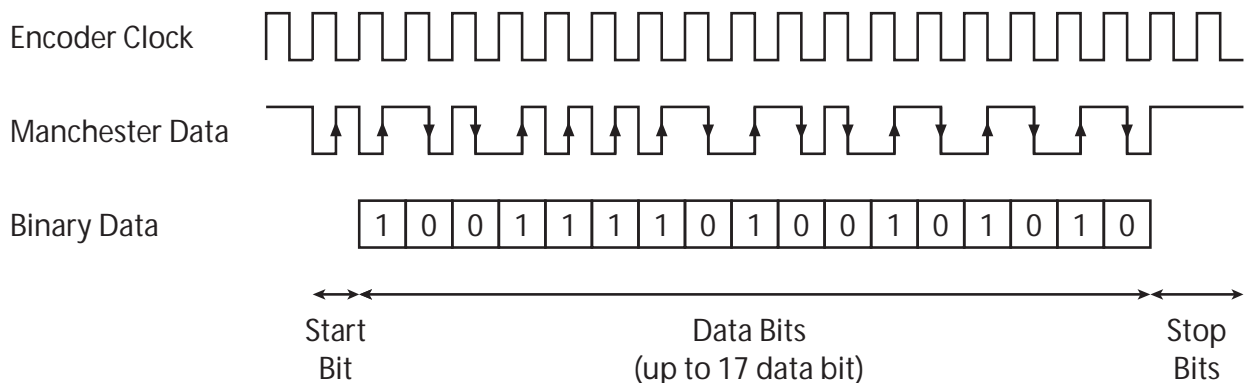


19.3.3.1 Manchester frame

The USART supports Manchester encoded frames with the following characteristics:

- One start bit Manchester encoded (logical '1')
- 5, 6, 7, 8, 9, 13, 14,15,16,17 data bits in transmission or reception (MSB or LSB first)
- The number of data bit in a frame is independently configurable in reception and transmission mode.
- One or Two stop bits (level encoded)

**Figure 19-3.** Manchester Frame example



19.3.3.2 Manchester decoder

When configured in Manchester mode, the EUSART receiver is able to receive serial frame using a 17-bit shift register, an edge detector and several data/control registers. The Manchester decoder receives a frame from the RxD pin of the EUSART interface and loads the received data in the EUSART data register (UDR and EUDR).

The bit order of the data bits in the frame is configurable to handle MSB or LSB first.

The polarity of the bi-phase start is not configurable. The start bit a logical '1' (rising edge at bit center).

The polarity of the stop bits is not configurable, the interface allows to read the 2 stops bits value by software.

The Manchester decoder is enable when the EUSART is configured in Manchester mode and the RXEN of USCRB set (global USART receive enable).

The number of data bits to be received can be configured with the URxS bits of EUCSRA register.

The Manchester decoder provides a special mode where 16 or 17 data bits can be received. In this mode the Manchester decoder can automatically detects if the seventeenth bit is Manchester encoded or not (seventeenth data bit or first stop bit). If the receiver detects a valid data bit (Manchester transition) during the seventeenth bit time of the frame, the receiver will process the frame as a 17-bit frame length and set the F1617 bit of EUCSRC register.

In Manchester mode, the clock used for sampling the EUSART input signal is programmed by the baudrate generator.

The edge detector of the Manchester decoder is based upon a 16 bits up/down counter which maximum value can be configured through the MUBRRH and MUBRRL registers.

The maximum counter value is given by the following formula:

$$MUBRR[H:L] = F_{CLKIO} / (\text{baud rate frequency})$$

MBURR[H:L] is used to calibrate the detect window of the start bit and to detect time overflow of the other bits.

#### 19.3.4 Double Speed Operation (U2X)

Double Speed Operation is controlled by U2X bit in UCSRA. See [“Double Speed Operation \(U2X\)” on page 188](#).

This mode of operation is not allowed in manchester bit coding.

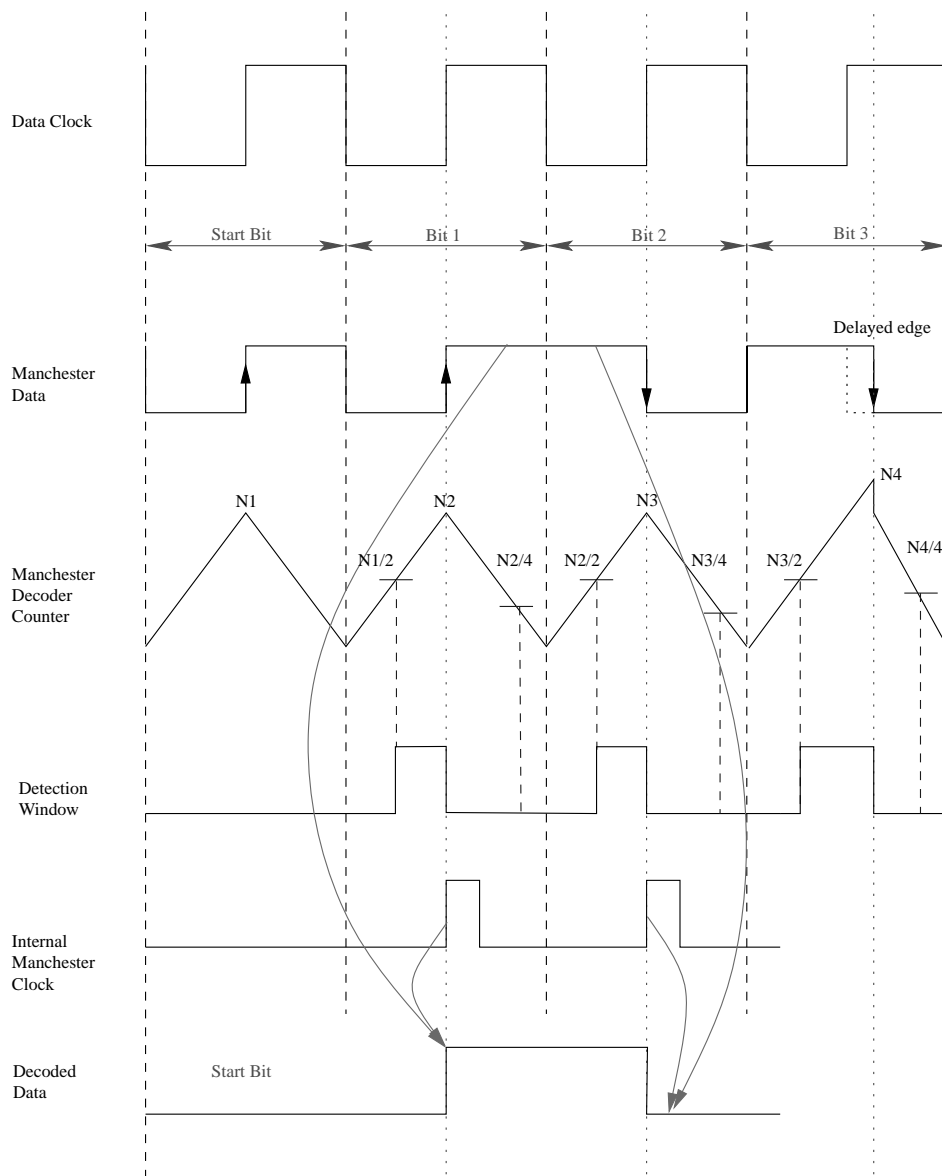
Each ‘bit time’ in the Manchester serial frame is divided into two phases (See [Figure 19-4](#)). The counter counts during the first phase and counts down during the second one. When the data bit transition is detected, the counter memorises the N1 counter value and start counting down.

When the counter reaches the zero value, it starts counting up again and the N1/2 value allows to open the next detection window. This detection window defines the time zone where the next data bit edge is sampled.

**Figure 19-4.** Manchester Decoder operation

Note:  $N1 = MBURR[H:L]/2$

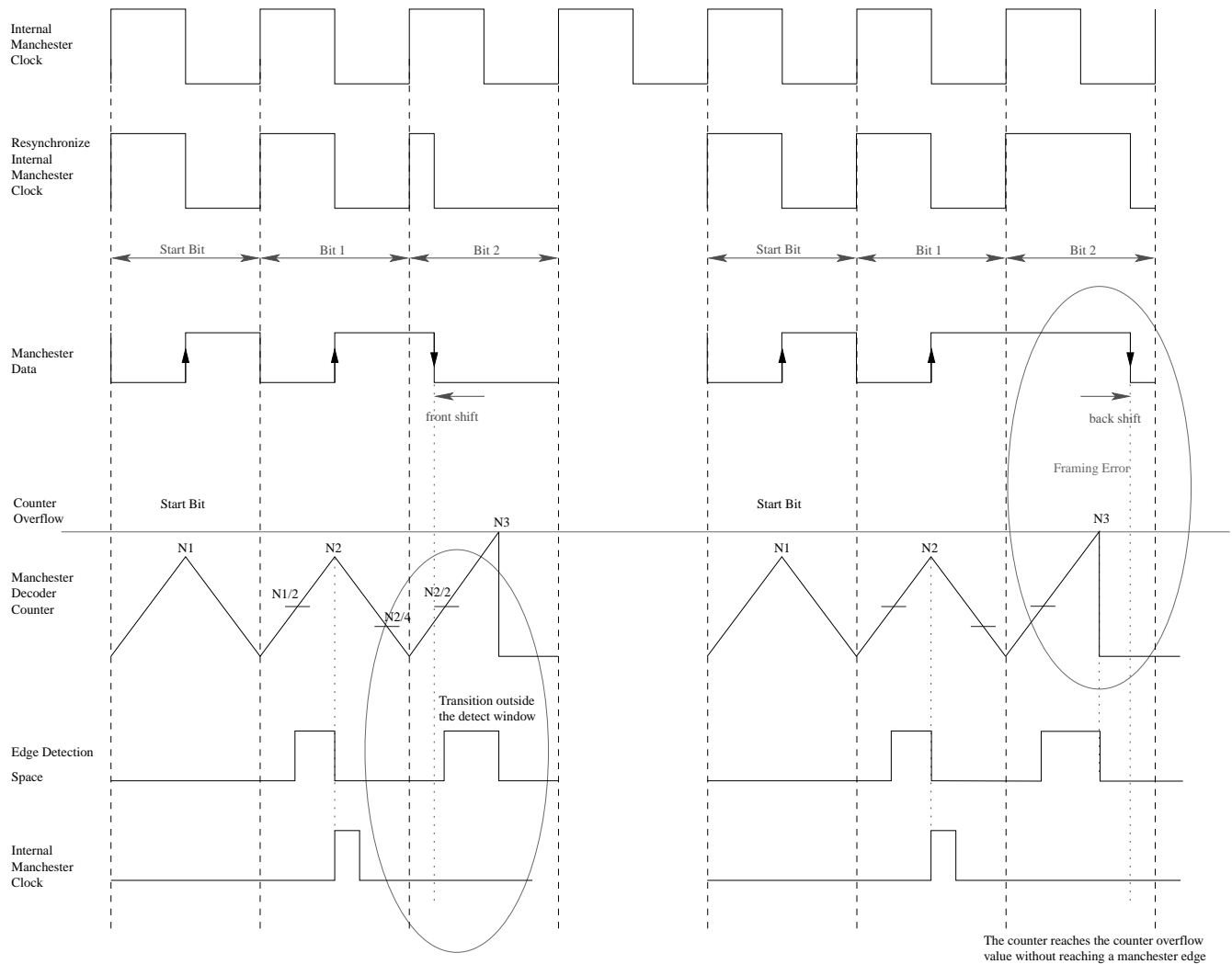




19.3.4.1 Manchester Framing error detection

When configured in Manchester mode, the framing error (FE) of the USCRA register is not used, the EUSART generates a dedicated Frame Error Manchester (FEM) when a data data bit is not detected during the detection window (See Figure 19-5).

**Figure 19-5.** Manchester Frame error detection



Note: Counter Overflow = MBURR[H:L]

When a Manchester framing error is detected the FEM bit and RxC bit are set at the same time. This allows the application to execute the reception complete interrupt subroutine when this error condition is detected.

When a Manchester framing error is detected, the EUSART receiver immediately enters in a new start bit detection phase. Thus when a Manchester framing error is detected within a frame, the receiver will process the rest of the frame as a new incoming frame and generate other FEM errors.

## 19.4 Configuring the EUSART

### 19.4.1 Data Transmission – EUSART Transmitter

The EUSART Transmitter is enabled in the same way as standard USART, by setting the Transmit Enable (TXEN) bit in the UCSRB Register. When the Transmitter is enabled, the normal port operation of the TxDn pin is overridden by the EUSART and given the function as the Transmitter’s serial output. The baud rate, mode of operation and frame format must be set up once before doing any transmissions. If synchronous operation is used, the clock on the XCK pin will be overridden and used as transmission clock.

### 19.4.2 Sending Frames with 5 to 8 Data Bit

In this mode the behavior is the same as the standard USART (See “Sending Frames with 5 to 8 Data Bit” in USART section).

### 19.4.3 Sending Frames with 9, 13, 14, 15 or 16 Data Bit

In these configurations the most significant bits (9, 13, 14, 15 or 16) should be loaded in the EUDR register before the low byte of the character is written to UDR. The write operation in the UDR register allows to start the transmission.

TABLE 2.

<p>Assembly Code Example<sup>(1)</sup></p> <pre> EUSART_Transmit:     ; Wait for empty transmit buffer     sbis UCSRA,UDRE     rjmp EUSART_Transmit     ; Put LSB data (r16) and MSN data (r15) into buffer, sends the data     sts EUDR,r15     sts UDR,r16     ret                 </pre>
<p>C Code Example<sup>(1)</sup></p> <pre> void EUSART_Transmit( unsigned int data ) {     /* Wait for empty transmit buffer */     while ( !( UCSRA &amp; (1&lt;&lt;UDRE))) )     /* Put data into buffer, sends the data */     EUDR = data&gt;&gt;8;     UDR = data; }                 </pre>

Note: The example code assumes that the part specific header file is included. For I/O Registers located in extended I/O map, “IN”, “OUT”, “SBIS”, “SBIC”, “CBI”, and “SBI” instructions must be replaced with instructions that allow access to extended I/O. Typically “LDS” and “STS” combined with “SBRS”, “SBRC”, “SBR”, and “CBR”.

#### 19.4.4 Sending 17 Data Bit Frames

In this configuration the seventeenth bit should be loaded in the RXB8 bit register, the rest of the most significant bits (9, 10, 11, 12, 13, 14, 15 and 16) should be loaded in the EUDR register, before the low byte of the character is written to UDR.

#### 19.4.5 Transmitter Flags and Interrupts

The behavior of the EUSART is the same as in USART mode (See “Receive Complete Flag and Interrupt”).

The interrupts generation and handling for transmission in EUSART mode are the same as in USART mode.

#### 19.4.6 Disabling the Transmitter

The disabling of the Transmitter (setting the TXEN to zero) will not become effective until ongoing and pending transmissions are completed, i.e., when the Transmit Shift Register and Transmit Buffer Register do not contain data to be transmitted.

#### 19.4.7 Data Reception – EUSART Receiver

### 19.5 Data Reception – EUSART Receiver

The EUSART Receiver is enabled by writing the Receive Enable (RXEN) bit in the UCSRB Register to one (same as USART). When the Receiver is enabled, the normal pin operation of the RxD pin is overridden by the EUSART and given the function as the Receiver’s serial input. The baud rate, mode of operation and frame format must be set up once before any serial reception can be done. If synchronous operation is used, the clock on the XCK pin will be used as transfer clock.

#### 19.5.1 Receiving Frames with 5 to 8 Data Bits

In this mode the behavior is the same as the standard USART (See “Receiving Frames with 5 to 8 Data Bits” in USART section).

#### 19.5.2 Receiving Frames with 9, 13, 14, 15 or 16 Data Bits

In these configurations the most significant bits (9, 13, 14, 15 or 16) should be read in the EUDR register **before** reading the of the character in the UDR register.

Read status from EUCSRC, then data from UDR.

The following code example shows a simple EUSART receive function.

**TABLE 3.**

Assembly Code Example <sup>(1)</sup>
<pre> EUSART_Receive:     ; Wait for data to be received     sbis UCSRA, RXC     rjmp EUSART_Receive     ; Get MSB (r15), LSB (r16)     lds r15, EUDR     lds r16, UDR     ret </pre>
C Code Example <sup>(1)</sup>
<pre> unsigned int EUSART_Receive( void ) {     unsigned int rx_data     /* Wait for data to be received */     while ( !(UCSRA &amp; (1&lt;&lt;RXC)) )         ;     /* Get and return received data from buffer */     rx_data=EUDR;     rx_data=rx_data&lt;&lt;8+UDR;     return rx_data; } </pre>

Note: The example code assumes that the part specific header file is included. For I/O Registers located in extended I/O map, "IN", "OUT", "SBIS", "SBIC", "CBI", and "SBI" instructions must be replaced with instructions that allow access to extended I/O. Typically "LDS" and "STS" combined with "SBR", "SBRC", "SBR", and "CBR".

### 19.5.3 Receiving 17 Data Bit Frames

In this configuration the seventeenth bit should be read from the RXB8 bit register, the rest of the most significant bits (9, 10, 11, 12, 13, 14, 15 and 16) should be read from the EUDR register, before the low byte of the character is read from UDR.

### 19.5.4 Receive Complete Flag and Interrupt

The EUSART Receiver has the same USART flag that indicates the Receiver state.

See "Receive Complete Flag and Interrupt" in USART section.

### 19.5.5 Receiver Error Flags

When the EUSART is not configured in Manchester mode, the EUSART has the three same errors flags as standard mode: Frame Error (FE), Data OverRun (DOR) and Parity Error (UPE). All can be accessed by reading UCSRA. (See "Receiver Error Flags" in USART section).

When the EUSART is configured in Manchester mode, the EUSART has two errors flags: Data OverRun (DOR), and Manchester framing error (FEM bit of EUCSRC).

All the receiver error flags are valid only when the RxC bit is set and until the UDR register is read.

#### 19.5.5.1 Parity Checker

The parity checker of the EUSART is available only when data bits are level encoded and behaves as is USART mode (See Parity checker of the USART).

#### 19.5.5.2 OverRun

The Data OverRun (DOR bit of USCRA) flag indicates data loss due to a receiver buffer full condition. This flag operates as in USART mode (See USART section).

## 19.6 EUSART Registers Description

### 19.6.1 USART I/O Data Register – UDR

Bit	7	6	5	4	3	2	1	0	
	RXB[7:0]								UDR (Read)
	TXB[7:0]								UDR (Write)
Read/Write	R/W	R/W	R/W	R/W	R/W	R/W	R/W	R/W	R/W
Initial Value	0	0	0	0	0	0	0	0	0

- **Bit 7:0 – RxB7:0: Receive Data Buffer** (read access)
- **Bit 7:0 – TxB7:0: Transmit Data Buffer** (write access)

This register is common to the USART and EUSART interfaces for Transmit Data Buffer Register and Receive Data Buffer Register. See description for UDR register in USART.

### 19.6.2 EUSART I/O Data Register – EUDR

Bit	7	6	5	4	3	2	1	0	
	RXB[15:8]								EUDR (Read)
	TXB[15:8]								EUDR (Write)
Read/Write	R/W	R/W	R/W	R/W	R/W	R/W	R/W	R/W	R/W
Initial Value	0	0	0	0	0	1	0	0	0

- **Bit 7:0 – RxB15:8: Receive Data Buffer** (read access)
- **Bit 7:0 – TxB15:8: Transmit Data Buffer** (write access)

This register provide an extension to the UDR register when EUSART is used with more than 8 bits.

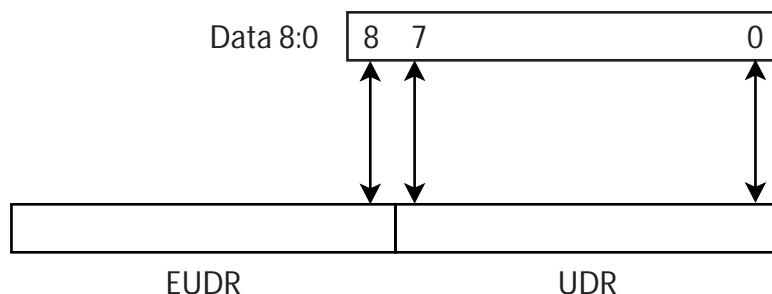
#### 19.6.2.1 UDR/EUDR data access with character size up to 8 bits

When the EUSART is used with 8 or less bits, only the UDR register is used for data access.

#### 19.6.2.2 UDR/EUDR data access with 9 bits per character

When the EUSART is used with 9 bits character, the behavior is different of the standart USART mode, the UDR register is used in combinaison with the first bit of EUDR (EUDR:0) for data access, the RxB8/TxB8 bit is not used.

**Figure 19-6.** 9 bits communication data access



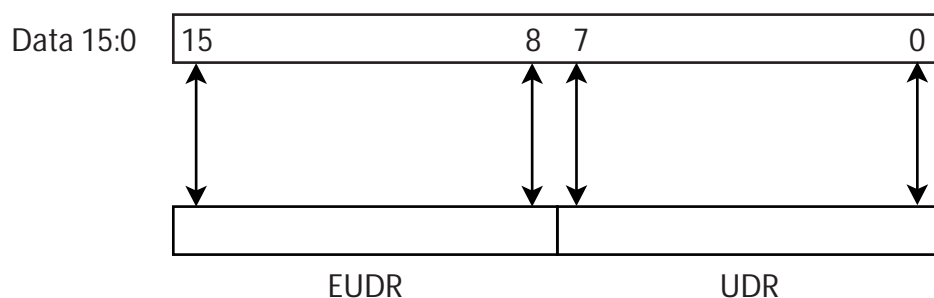
19.6.2.3 *UDR/EUDR data access from 13 to 17 bits per character*

When the EUSART is used in 13, 14, 15, 16 or 17 bits per character mode, the EUDR/UDR registers are used in combination with the RxB8/TxB8 bit for data access.

For 13, 14, 15 or 16 bit character the upper unused bits in EUDR will be ignored by the Transmitter and set to zero by the Receiver. In transmitter mode, the data should be written MSB first. The data transmission starts when the UDR register is written.

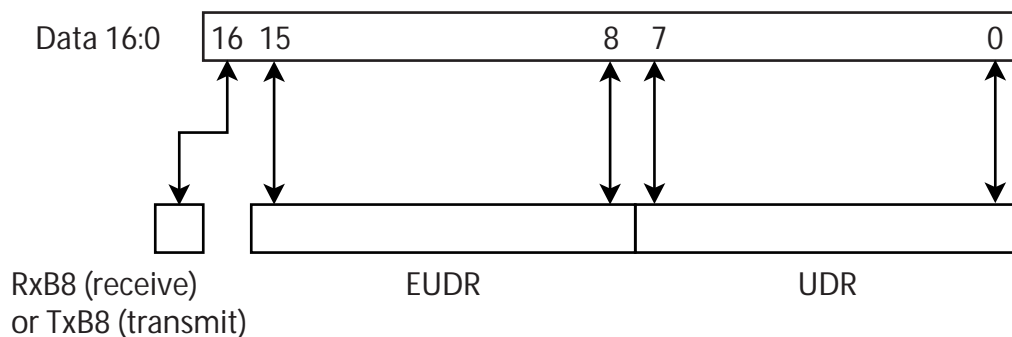
In these modes, the RxB8/TxB8 registers are not used.

**Figure 19-7.** 13, 14, 15 and 16 bits communication data access



For 17 bit character the seventeenth bit is located in RxB8 or TxB8 register. In transmitter mode, the data should be written MSB first. The data transmission starts when the UDR register is written.

**Figure 19-8.** 17 bits communication data access



### 19.6.3 EUSART Control and Status Register A – EUCSRA

Bit	7	6	5	4	3	2	1	0	
	<b>UTxS3</b>	<b>UTxS2</b>	<b>UTxS1</b>	<b>UTxS0</b>	<b>URxS3</b>	<b>URxS2</b>	<b>URxS1</b>	<b>URxS0</b>	<b>EUCSRA</b>
Read/Write	R/W	R/W	R/W	R/W	R/W	R/W	R/W	R/W	
Initial Value	0	0	1	1	0	0	1	1	

- **Bit 7:4 – EUSART Transmit Character Size**

The UTxS3:0 bits sets the number of data bits (Character Size) in a frame the Transmitter use.

**Table 19-1.** UTxS Bits Settings

UTxS3	UTxS2	UTxS1	UTxS0	Transmit Character Size
0	0	0	0	5-bit
0	0	0	1	6-bit
0	0	1	0	7-bit
0	0	1	1	8-bit
0	1	0	0	Reserved
0	1	0	1	Reserved
0	1	1	0	Reserved
0	1	1	1	9-bit
1	0	0	0	13-bit
1	0	0	1	14-bit
1	0	1	0	15-bit
1	0	1	1	16-bit
1	1	0	0	Reserved
1	1	0	1	Reserved
1	1	1	0	Reserved
1	1	1	1	17-bit

- **Bit 3:0 – EUSART Receive Character Size**

The URxS3:0 bits sets the number of data bits (Character Size) in a frame the Receiver use.

**Table 19-2.** URxS Bits Settings

URxS3	URxS2	URxS1	URxS0	Receive Character Size
0	0	0	0	5-bit
0	0	0	1	6-bit
0	0	1	0	7-bit
0	0	1	1	8-bit
0	1	0	0	Reserved
0	1	0	1	Reserved
0	1	1	0	Reserved
0	1	1	1	9-bit
1	0	0	0	13-bit



**Table 19-2.** URxS Bits Settings

URxS3	URxS2	URxS1	URxS0	Receive Character Size
1	0	0	1	14-bit
1	0	1	0	15-bit
1	0	1	1	16-bit
1	1	0	0	Reserved
1	1	0	1	Reserved
1	1	1	0	16 OR 17 bit (for Manchester encoded only mode)
1	1	1	1	17-bit

## 19.6.4 EUSART Control Register B – EUSCRB

Bit	7	6	5	4	3	2	1	0	
	-	-	-	EUSART	EUSBS	-	EMCH	BODR	EUSCRB
Read/Write	R	R	R	R/W	R/W	R	R/W	R/W	
Initial Value	0	0	0	0	0	0	0	0	

- **Bit 7:5 –Reserved Bits**

These bits are reserved for future use. For compatibility with future devices, these bits must be written to zero when EUSCRB is written.

- **Bit 4 – EUSART Enable Bit**

Set to enable the EUSART mode, clear to operate as standard USART.

- **Bit 3– EUSBS Enable Bit**

This bit selects the number of stop bits detected by the receiver.

**Table 19-3.** EUSBS Bit Settings

EUSBS	Receiver Stop Bit(s)
0	1-bit
1	2-bit

Note: The number of stop bit inserted by the Transmitter in EUSART mode is configurable through the EUSBS bit of in the of the USART.

- **Bit 2–Reserved Bit**

This bit is reserved for future use. For compatibility with future devices, this bit must be written to zero when EUSCRB is written.

- **Bit 1 – Manchester mode**

When set the EUSART operates in manchester encoder/decoder mode (Manchester encoded frames). When cleared the EUSART detected and transmit level encoded frames.

**Table 19-4.** USART/EUSART modes selection summary

UMSEL	EMCH	EUSART	Mode
0	X	0	Asynchronous up to 9 bits level encoded (standard asynchronous USART mode)
1	X	0	Synchronous up to 9 bits level encoded (standard synchronous USART mode)
0	0	1	Asynchronous up to 17 bits level encoded
0	1	1	Asynchronous up to 17 bits Manchester encoded
1	0	1	Synchronous up to 17 bits level encoded
1	1	1	Reserved

**As in Manchester mode the parity checker and generator are unavailable, the parity should be configured to none ( write UPM1:0 to 00 in UCSRC), see Table 18-5.**

- **Bit 0 –Bit Order**

This bit allows to change the bit ordering in the transmit and received frames.

Clear to transmit and receive LSB first (standard USART mode)

Set to transmit and receive MSB first.

### 19.6.5 EUSART Status Register C – EUCSRC

Bit	7	6	5	4	3	2	1	0	
	-	-	-	-	FEM	F1617	STP1	STP0	EUCSRC
Read/Write	R	R	R	R	R	R	R	R	
Initial Value	0	0	0	0	0	0	0	0	

- **Bit 7:4 –Reserved Bits**

These bits are reserved for future use. For compatibility with future devices, these bits must be written to zero when EUCSRC is written.

- **Bit 3 –Frame Error Manchester**

This bit is set by hardware when a framing error is detected in manchester mode. This bit is valid when the RxC bit is set and until the receive buffer (UDR) is read.

- **Bit 2 –F1617**

When the receiver is configured for 16 or 17 bits in Manchester encoded mode, this bit indicates if the received frame is 16 or 17 bits length.

Cleared: indicates that the received frame is 16 bits length.

Set: Indicates that the received frame is 17 bits length.

This bit is valid when the RxC bit is set and until the receive buffer (UDR) is read.

- **Bit 1:0 – Stop bits values**

When Manchester mode is activated, these bits contains the stop bits value of the previous received frame.

When the data bits in the serial frame are standard level encoded, these bits are not updated.

## 19.6.6 Manchester receiver Baud Rate Registers – MUBRRL and MUBRRH

Bit	15	14	13	12	11	10	9	8	
	<b>MUBRR[15:8]</b>								<b>MUBRRH</b>
	<b>MUBRR[7:0]</b>								<b>MUBRRL</b>
	7	6	5	4	3	2	1	0	
Read/Write	R/W	R/W	R/W	R/W	R/W	R/W	R/W	R/W	R/W
Initial Value	0	0	0	0	0	0	0	0	
	0	0	0	0	0	0	0	0	

- **Bit 15:0 – MUBRR15:0: Manchester Receiver Baud Rate Register**

This is a 16-bit register which contains the maximum value for the Manchester receiver counter. The MUBRRH contains the eight most significant bits, and the MUBRRL contains the eight least significant bits. Ongoing transmissions by the Receiver will be corrupted if the baud rate is changed.

$$MUBRR[H:L] = F_{CLKIO} / (\text{baud rate frequency})$$

**Table 19-5.** Examples of MUBRR Settings for Commonly Frequencies

<b>Baud Rate (bps)</b>	<b>fclk<sub>io</sub> = 1 MHz</b>	<b>fclk<sub>io</sub> = 1.8432 MHz</b>	<b>fclk<sub>io</sub> = 2.0000 MHz</b>	<b>fclk<sub>io</sub> = 4.0000 MHz</b>	<b>fclk<sub>io</sub> = 8.0000 MHz</b>	<b>fclk<sub>io</sub> = 11.0592 MHz</b>	<b>fclk<sub>io</sub> = 16.000 MHz</b>
1200	833	1536	1667	3333	6667	9216	13333
2400	417	768	833	1667	3333	4608	6667
4800	208	384	417	833	1667	2304	3333
9600	104	192	208	417	833	1152	1667

## 20. Analog Comparator

The Analog Comparator compares the input values on the positive pin ACMPx and negative pin ACMPM.

### 20.1 Overview

The AT90PWM216/316 features three fast analog comparators.

Each comparator has a dedicated input on the positive input, and the negative input can be configured as:

- a steady value among the 4 internal reference levels defined by the Vref selected thanks to the REFS1:0 bits in ADMUX register.
- a value generated from the internal DAC
- an external analog input ACMPM.

When the voltage on the positive ACMPn pin is higher than the voltage selected by the ACnM multiplexer on the negative input, the Analog Comparator output, ACnO, is set.

The comparator is a clocked comparator. A new comparison is done on the falling edge of  $CLK_{I/O}$  or  $CLK_{I/O}/2$  ( Depending on ACCKDIV bit of ACSR register, [See “Analog Comparator Status Register – ACSR” on page 233.](#)).

Each comparator can trigger a separate interrupt, exclusive to the Analog Comparator. In addition, the user can select Interrupt triggering on comparator output rise, fall or toggle.

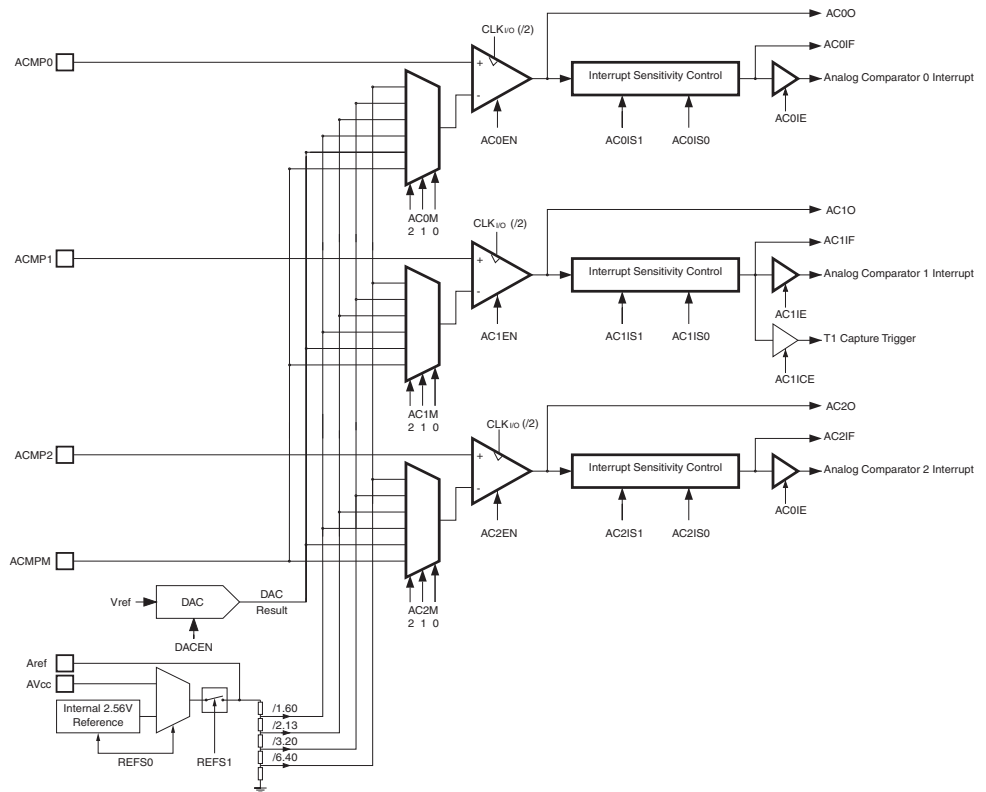
The interrupt flags can also be used to synchronize ADC or DAC conversions.

Moreover, the comparator's output of the comparator 1 can be set to trigger the Timer/Counter1 Input Capture function.

The comparator has no hysteresis on the rising edge ( $0 > 1$ ) and a half-hysteresis on the falling edge ( $1 \rightarrow 0$ ).

A block diagram of the three comparators and their surrounding logic is shown in [Figure 20-1](#).

**Figure 20-1. Analog Comparator Block Diagram<sup>(1)(2)</sup>**



- Notes:
1. ADC multiplexer output: see [Table 21-4 on page 250](#).
  2. Refer to [Figure 3-1 on page 3](#) and for Analog Comparator pin placement.
  3. The voltage on Vref is defined in [21-3 "ADC Voltage Reference Selection" on page 250](#)

## 20.2 Analog Comparator Register Description

Each analog comparator has its own control register.

A dedicated register has been designed to consign the outputs and the flags of the 3 analog comparators.

### 20.2.1 Analog Comparator 0 Control Register – AC0CON

Bit	7	6	5	4	3	2	1	0	
	<b>AC0EN</b>	<b>AC0IE</b>	<b>AC0IS1</b>	<b>AC0IS0</b>	-	<b>AC0M2</b>	<b>AC0M1</b>	<b>AC0M0</b>	<b>AC0CON</b>
Read/Write	R/W	R/W	R/W	R/W	-	R/W	R/W	R/W	
Initial Value	0	0	0	0	0	0	0	0	

- **Bit 7– AC0EN: Analog Comparator 0 Enable Bit**

Set this bit to enable the analog comparator 0.

Clear this bit to disable the analog comparator 0.

- **Bit 6– AC0IE: Analog Comparator 0 Interrupt Enable bit**

Set this bit to enable the analog comparator 0 interrupt.

Clear this bit to disable the analog comparator 0 interrupt.

- **Bit 5, 4– AC0IS1, AC0IS0: Analog Comparator 0 Interrupt Select bit**

These 2 bits determine the sensitivity of the interrupt trigger.  
The different setting are shown in [Table 20-1](#).

**Table 20-1.** Interrupt sensitivity selection

AC0IS1	AC0IS0	Description
0	0	Comparator Interrupt on output toggle
0	1	Reserved
1	0	Comparator interrupt on output falling edge
1	1	Comparator interrupt on output rising edge

- **Bit 2, 1, 0– AC0M2, AC0M1, AC0M0: Analog Comparator 0 Multiplexer register**

These 3 bits determine the input of the negative input of the analog comparator.  
The different setting are shown in [Table 20-2](#).

**Table 20-2.** Analog Comparator 0 negative input selection

AC0M2	AC0M1	AC0M0	Description
0	0	0	“Vref”/6.40
0	0	1	“Vref”/3.20
0	1	0	“Vref”/2.13
0	1	1	“Vref”/1.60
1	0	0	Analog Comparator Negative Input (ACMPM pin)
1	0	1	DAC result
1	1	0	Reserved
1	1	1	Reserved

## 20.2.2 Analog Comparator 1 Control Register – AC1CON

Bit	7	6	5	4	3	2	1	0	
	AC1EN	AC1IE	AC1IS1	AC1IS0	AC1ICE	AC1M2	AC1M1	AC1M0	AC1CON
Read/Write	R/W	R/W	R/W	R/W	R/W	R/W	R/W	R/W	
Initial Value	0	0	0	0	0	0	0	0	

- **Bit 7– AC1EN: Analog Comparator 1 Enable Bit**

Set this bit to enable the analog comparator 1.  
Clear this bit to disable the analog comparator 1.

- **Bit 6– AC1IE: Analog Comparator 1 Interrupt Enable bit**

Set this bit to enable the analog comparator 1 interrupt.  
Clear this bit to disable the analog comparator 1 interrupt.

- **Bit 5, 4– AC1IS1, AC1IS0: Analog Comparator 1 Interrupt Select bit**

These 2 bits determine the sensitivity of the interrupt trigger.  
The different setting are shown in [Table 20-1](#).

**Table 20-3.** Interrupt sensitivity selection

AC1IS1	AC1IS0	Description
0	0	Comparator Interrupt on output toggle
0	1	Reserved
1	0	Comparator interrupt on output falling edge
1	1	Comparator interrupt on output rising edge

• **Bit 3– AC1ICE: Analog Comparator 1 Interrupt Capture Enable bit**

Set this bit to enable the input capture of the Timer/Counter1 on the analog comparator event. The comparator output is in this case directly connected to the input capture front-end logic, making the comparator utilize the noise canceler and edge select features of the Timer/Counter1 Input Capture interrupt. To make the comparator trigger the Timer/Counter1 Input Capture interrupt, the ICIE1 bit in the Timer Interrupt Mask Register (TIMSK1) must be set.

In case ICES1 bit (“[Timer/Counter1 Control Register B – TCCR1B](#)” on page 126) is set high, the rising edge of AC1O is the capture/trigger event of the Timer/Counter1, in case ICES1 is set to zero, it is the falling edge which is taken into account.

Clear this bit to disable this function. In this case, no connection between the Analog Comparator and the input capture function exists.

• **Bit 2, 1, 0– AC1M2, AC1M1, AC1M0: Analog Comparator 1 Multiplexer register**

These 3 bits determine the input of the negative input of the analog comparator. The different setting are shown in [Table 20-4](#).

**Table 20-4.** Analog Comparator 1 negative input selection

AC1M2	AC1M1	AC1M0	Description
0	0	0	“Vref”/6.40
0	0	1	“Vref”/3.20
0	1	0	“Vref”/2.13
0	1	1	“Vref”/1.60
1	0	0	Analog Comparator Negative Input (ACMPM pin)
1	0	1	DAC result
1	1	0	Reserved
1	1	1	Reserved

**20.2.3 Analog Comparator 2 Control Register – AC2CON**

Bit	7	6	5	4	3	2	1	0	AC2CON
	AC2EN	AC2IE	AC2IS1	AC2IS0	-	AC2M2	AC2M1	AC2M0	
Read/Write	R/W	R/W	R/W	R/W	-	R/W	R/W	R/W	
Initial Value	0	0	0	0	0	0	0	0	

• **Bit 7– AC2EN: Analog Comparator 2 Enable Bit**

Set this bit to enable the analog comparator 2.  
Clear this bit to disable the analog comparator 2.



- **Bit 6– AC2IE: Analog Comparator 2 Interrupt Enable bit**

Set this bit to enable the analog comparator 2 interrupt.  
Clear this bit to disable the analog comparator 2 interrupt.

- **Bit 5, 4– AC2IS1, AC2IS0: Analog Comparator 2 Interrupt Select bit**

These 2 bits determine the sensitivity of the interrupt trigger.  
The different settings are shown in [Table 20-1](#).

**Table 20-5.** Interrupt sensitivity selection

AC2IS1	AC2IS0	Description
0	0	Comparator Interrupt on output toggle
0	1	Reserved
1	0	Comparator interrupt on output falling edge
1	1	Comparator interrupt on output rising edge

- **Bit 2, 1, 0– AC2M2, AC2M1, AC2M0: Analog Comparator 2 Multiplexer register**

These 3 bits determine the input of the negative input of the analog comparator.  
The different settings are shown in [Table 20-6](#).

**Table 20-6.** Analog Comparator 2 negative input selection

AC2M2	AC2M1	AC2M0	Description
0	0	0	"Vref"/6.40
0	0	1	"Vref"/3.20
0	1	0	"Vref"/2.13
0	1	1	"Vref"/1.60
1	0	0	Analog Comparator Negative Input (ACMPM pin)
1	0	1	DAC result
1	1	0	Reserved
1	1	1	Reserved

## 20.2.4 Analog Comparator Status Register – ACSR

Bit	7	6	5	4	3	2	1	0	
	ACCKDIV	AC2IF	AC1IF	AC0IF	-	AC2O	AC1O	AC0O	ACSR
Read/Write	R/W	R/W	R/W	R/W	-	R	R	R	
Initial Value	0	0	0	0	0	0	0	0	

- **Bit 7– ACCKDIV: Analog Comparator Clock Divider**

The analog comparators can work with a clock up to 8MHz@3V and 16MHz@5V.  
Set this bit in case the clock frequency of the microcontroller is higher than 8 MHz to insert a divider by 2 between the clock of the microcontroller and the clock of the analog comparators.  
Clear this bit to have the same clock frequency for the microcontroller and the analog comparators.

- **Bit 6– AC2IF: Analog Comparator 2 Interrupt Flag Bit**

This bit is set by hardware when comparator 2 output event triggers off the interrupt mode defined by AC2IS1 and AC2IS0 bits in AC2CON register.

This bit is cleared by hardware when the corresponding interrupt vector is executed in case the AC2IE in AC2CON register is set. Anyway, this bit is cleared by writing a logical one on it. This bit can also be used to synchronize ADC or DAC conversions.

- **Bit 5– AC1IF: Analog Comparator 1 Interrupt Flag Bit**

This bit is set by hardware when comparator 1 output event triggers off the interrupt mode defined by AC1IS1 and AC1IS0 bits in AC1CON register.

This bit is cleared by hardware when the corresponding interrupt vector is executed in case the AC1IE in AC1CON register is set. Anyway, this bit is cleared by writing a logical one on it.

This bit can also be used to synchronize ADC or DAC conversions.

- **Bit 5– AC0IF: Analog Comparator 0 Interrupt Flag Bit**

This bit is set by hardware when comparator 0 output event triggers off the interrupt mode defined by AC0IS1 and AC0IS0 bits in AC0CON register.

This bit is cleared by hardware when the corresponding interrupt vector is executed in case the AC0IE in AC0CON register is set. Anyway, this bit is cleared by writing a logical one on it.

This bit can also be used to synchronize ADC or DAC conversions.

- **Bit 2– AC2O: Analog Comparator 2 Output Bit**

AC2O bit is directly the output of the Analog comparator 2.

Set when the output of the comparator is high.

Cleared when the output comparator is low.

- **Bit 1– AC1O: Analog Comparator 1 Output Bit**

AC1O bit is directly the output of the Analog comparator 1.

Set when the output of the comparator is high.

Cleared when the output comparator is low.

- **Bit 0– AC0O: Analog Comparator 0 Output Bit**

AC0O bit is directly the output of the Analog comparator 0.

Set when the output of the comparator is high.

Cleared when the output comparator is low.

### 20.2.5 Digital Input Disable Register 0 – DIDR0

Bit	7	6	5	4	3	2	1	0	
	ADC7D	ADC6D	ADC5D	ADC4D	ADC3D ACMPM	ADC2D ACMP2D	ADC1D	ADC0D	DIDR0
Read/Write	R/W	R/W	R/W	R/W	R/W	R/W	R/W	R/W	
Initial Value	0	0	0	0	0	0	0	0	

- **Bit 3:2 – ACMPM and ACMP2D: ACMPM and ACMP2 Digital Input Disable**

When this bit is written logic one, the digital input buffer on the corresponding Analog pin is disabled. The corresponding PIN Register bit will always read as zero when this bit is set. When an analog signal is applied to one of these pins and the digital input from this pin is not needed, this bit should be written logic one to reduce power consumption in the digital input buffer.

## 20.2.6 Digital Input Disable Register 1– DIDR1

Bit	7	6	5	4	3	2	1	0	
	-	-	ACMP0D	AMP0PD	AMP0ND	ADC10D ACMP1D	ADC9D AMP1PD	ADC8D AMP1ND	DIDR1
Read/Write	-	-	R/W	R/W	R/W	R/W	R/W	R/W	
Initial Value	0	0	0	0	0	0	0	0	

- **Bit 5, 2: ACMP0D and ACMP1 Digital Input Disable**

When this bit is written logic one, the digital input buffer on the corresponding analog pin is disabled. The corresponding PIN Register bit will always read as zero when this bit is set. When an analog signal is applied to one of these pins and the digital input from this pin is not needed, this bit should be written logic one to reduce power consumption in the digital input buffer.

## 21. Analog to Digital Converter - ADC

### 21.1 Features

- 10-bit Resolution
- 0.5 LSB Integral Non-linearity
- $\pm 2$  LSB Absolute Accuracy
- 8- 320  $\mu$ s Conversion Time
- Up to 125 kSPS at Maximum Resolution
- 11 Multiplexed Single Ended Input Channels
- Two Differential input channels with accurate programmable gain 5, 10, 20 and 40
- Optional Left Adjustment for ADC Result Readout
- 0 -  $V_{CC}$  ADC Input Voltage Range
- Selectable 2.56 V ADC Reference Voltage
- Free Running or Single Conversion Mode
- ADC Start Conversion by Auto Triggering on Interrupt Sources
- Interrupt on ADC Conversion Complete
- Sleep Mode Noise Canceler

The AT90PWM216/316 features a 10-bit successive approximation ADC. The ADC is connected to an 15-channel Analog Multiplexer which allows eleven single-ended input. The single-ended voltage inputs refer to 0V (GND).

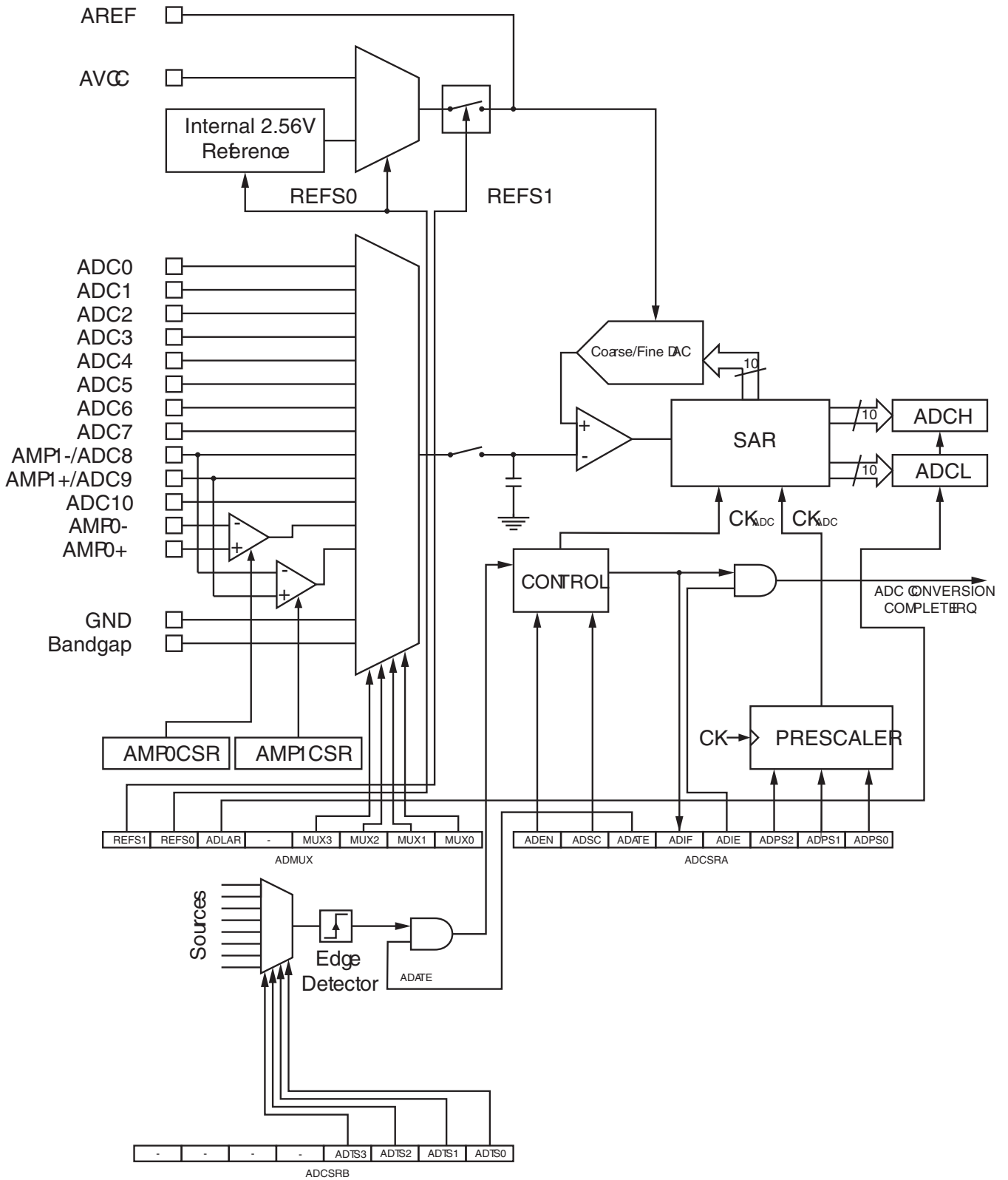
The device also supports 2 differential voltage input combinations which are equipped with a programmable gain stage, providing amplification steps of 14dB (5x), 20 dB (10x), 26 dB (20x), or 32dB (40x) on the differential input voltage before the A/D conversion. On the amplified channels, 8-bit resolution can be expected.

The ADC contains a Sample and Hold circuit which ensures that the input voltage to the ADC is held at a constant level during conversion. A block diagram of the ADC is shown in [Figure 21-1](#).

The ADC has a separate analog supply voltage pin,  $AV_{CC}$ .  $AV_{CC}$  must not differ more than  $\pm 0.3V$  from  $V_{CC}$ . See the paragraph "[ADC Noise Canceler](#)" on [page 243](#) on how to connect this pin.

Internal reference voltages of nominally 2.56V or  $AV_{CC}$  are provided On-chip. The voltage reference may be externally decoupled at the AREF pin by a capacitor for better noise performance.

Figure 21-1. Analog to Digital Converter Block Schematic



## 21.2 Operation

The ADC converts an analog input voltage to a 10-bit digital value through successive approximation. The minimum value represents GND and the maximum value represents the voltage on the AREF pin minus 1 LSB. Optionally,  $AV_{CC}$  or an internal 2.56V reference voltage may be connected to the AREF pin by writing to the REFSn bits in the ADMUX Register. The internal voltage reference may thus be decoupled by an external capacitor at the AREF pin to improve noise immunity.

The analog input channel are selected by writing to the MUX bits in ADMUX. Any of the ADC input pins, as well as GND and a fixed bandgap voltage reference, can be selected as single ended inputs to the ADC.

The ADC is enabled by setting the ADC Enable bit, ADEN in ADCSRA. Voltage reference is set by the REFS1 and REFS0 bits in ADMUX register, whatever the ADC is enabled or not. The ADC does not consume power when ADEN is cleared, so it is recommended to switch off the ADC before entering power saving sleep modes.

The ADC generates a 10-bit result which is presented in the ADC Data Registers, ADCH and ADCL. By default, the result is presented right adjusted, but can optionally be presented left adjusted by setting the ADLAR bit in ADMUX.

If the result is left adjusted and no more than 8-bit precision is required, it is sufficient to read ADCH. Otherwise, ADCL must be read first, then ADCH, to ensure that the content of the Data Registers belongs to the same conversion. Once ADCL is read, ADC access to Data Registers is blocked. This means that if ADCL has been read, and a conversion completed before ADCH is read, neither register is updated and the result from the conversion is lost. When ADCH is read, ADC access to the ADCH and ADCL Registers is re-enabled.

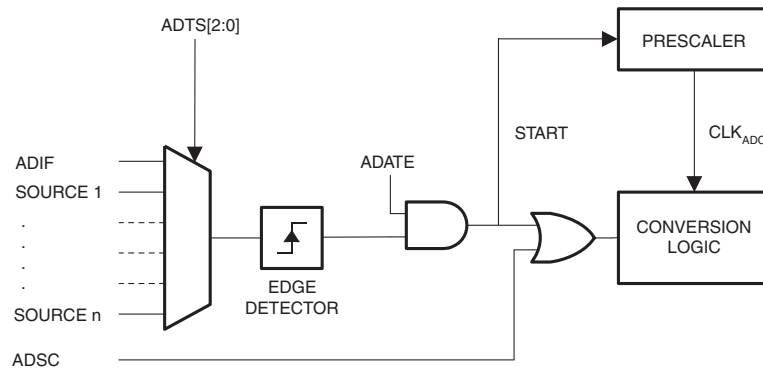
The ADC has its own interrupt which can be triggered when a conversion completes. The ADC access to the Data Registers is prohibited between reading of ADCH and ADCL, the interrupt will trigger even if the result is lost.

## 21.3 Starting a Conversion

A single conversion is started by writing a logical one to the ADC Start Conversion bit, ADSC. This bit stays high as long as the conversion is in progress and will be cleared by hardware when the conversion is completed. If a different data channel is selected while a conversion is in progress, the ADC will finish the current conversion before performing the channel change.

Alternatively, a conversion can be triggered automatically by various sources. Auto Triggering is enabled by setting the ADC Auto Trigger Enable bit, ADATE in ADCSRA. The trigger source is selected by setting the ADC Trigger Select bits, ADTS in ADCSRB (See description of the ADTS bits for a list of the trigger sources). When a positive edge occurs on the selected trigger signal, the ADC prescaler is reset and a conversion is started. This provides a method of starting conversions at fixed intervals. If the trigger signal is still set when the conversion completes, a new conversion will not be started. If another positive edge occurs on the trigger signal during conversion, the edge will be ignored. Note that an interrupt flag will be set even if the specific interrupt is disabled or the Global Interrupt Enable bit in SREG is cleared. A conversion can thus be triggered without causing an interrupt. However, the interrupt flag must be cleared in order to trigger a new conversion at the next interrupt event.

Figure 21-2. ADC Auto Trigger Logic

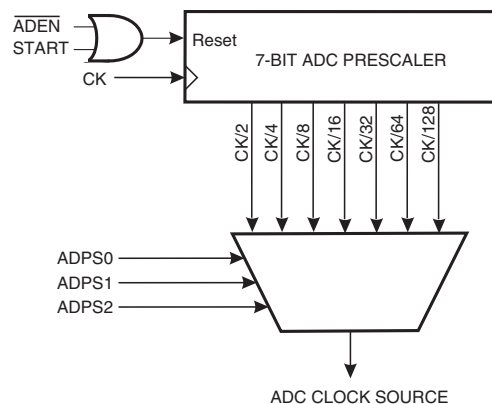


Using the ADC Interrupt Flag as a trigger source makes the ADC start a new conversion as soon as the ongoing conversion has finished. The ADC then operates in Free Running mode, constantly sampling and updating the ADC Data Register. The first conversion must be started by writing a logical one to the ADSC bit in ADCSRA. In this mode the ADC will perform successive conversions independently of whether the ADC Interrupt Flag, ADIF, is cleared or not. The free running mode is not allowed on the amplified channels.

If Auto Triggering is enabled, single conversions can be started by writing ADSC in ADCSRA to one. ADSC can also be used to determine if a conversion is in progress. The ADSC bit will be read as one during a conversion, independently of how the conversion was started.

## 21.4 Prescaling and Conversion Timing

Figure 21-3. ADC Prescaler



By default, the successive approximation circuitry requires an input clock frequency between 50 kHz and 2 MHz to get maximum resolution. If a lower resolution than 10 bits is needed, the input clock frequency to the ADC can be higher than 2 MHz to get a higher sample rate.

The ADC module contains a prescaler, which generates an acceptable ADC clock frequency from any CPU frequency above 100 kHz. The prescaling is set by the ADPS bits in ADCSRA. The prescaler starts counting from the moment the ADC is switched on by setting the ADEN bit in ADCSRA. The prescaler keeps running for as long as the ADEN bit is set, and is continuously reset when ADEN is low.

When initiating a single ended conversion by setting the ADSC bit in ADCSRA, the conversion starts at the following rising edge of the ADC clock cycle. See [“Changing Channel or Reference Selection” on page 241](#) for details on differential conversion timing.

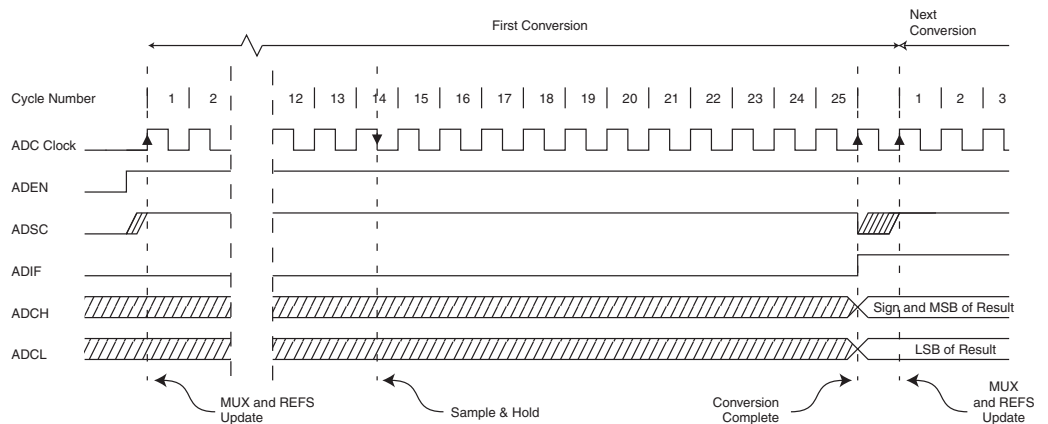
A normal conversion takes 13 ADC clock cycles. The first conversion after the ADC is switched on (ADEN in ADCSRA is set) takes 25 ADC clock cycles in order to initialize the analog circuitry.

The actual sample-and-hold takes place 3.5 ADC clock cycles after the start of a normal conversion and 13.5 ADC clock cycles after the start of an first conversion. When a conversion is complete, the result is written to the ADC Data Registers, and ADIF is set. In Single Conversion mode, ADSC is cleared simultaneously. The software may then set ADSC again, and a new conversion will be initiated on the first rising ADC clock edge.

When Auto Triggering is used, the prescaler is reset when the trigger event occurs. This assures a fixed delay from the trigger event to the start of conversion. In this mode, the sample-and-hold takes place two ADC clock cycles after the rising edge on the trigger source signal. Three additional CPU clock cycles are used for synchronization logic.

In Free Running mode, a new conversion will be started immediately after the conversion completes, while ADSC remains high. For a summary of conversion times, see [Table 21-1](#).

**Figure 21-4.** ADC Timing Diagram, First Conversion (Single Conversion Mode)



**Figure 21-5.** ADC Timing Diagram, Single Conversion

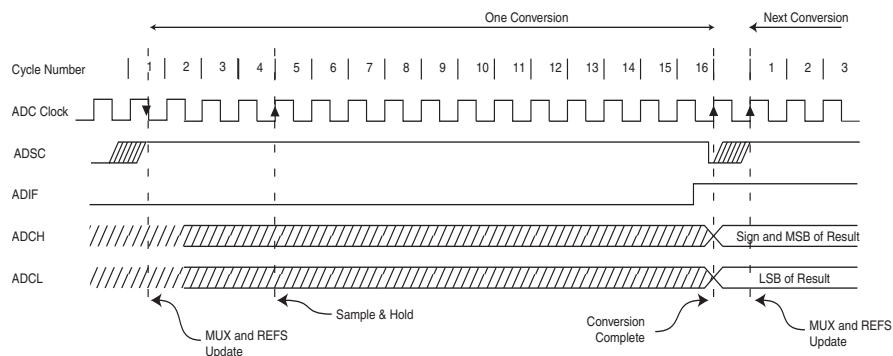




Figure 21-6. ADC Timing Diagram, Auto Triggered Conversion

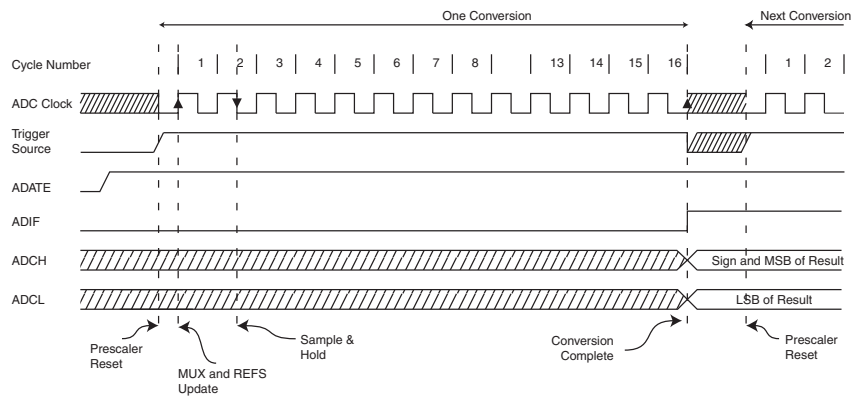


Figure 21-7. ADC Timing Diagram, Free Running Conversion

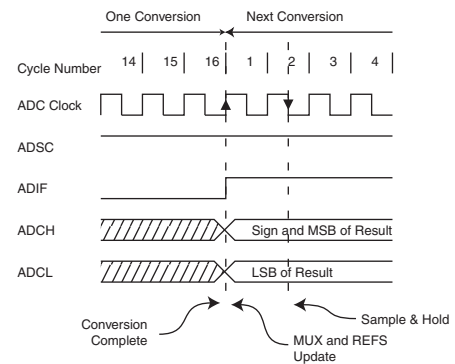


Table 21-1. ADC Conversion Time

Condition	First Conversion	Normal Conversion, Single Ended	Auto Triggered Conversion
Sample & Hold (Cycles from Start of Conversion)	13.5	3.5	4
Conversion Time (Cycles)	25	15.5	16

## 21.5 Changing Channel or Reference Selection

The MUXn and REFS1:0 bits in the ADMUX Register are single buffered through a temporary register to which the CPU has random access. This ensures that the channels and reference selection only takes place at a safe point during the conversion. The channel and reference selection is continuously updated until a conversion is started. Once the conversion starts, the channel and reference selection is locked to ensure a sufficient sampling time for the ADC. Continuous updating resumes in the last ADC clock cycle before the conversion completes (ADIF in ADCSRA is set). Note that the conversion starts on the following rising ADC clock edge after ADSC is written. The user is thus advised not to write new channel or reference selection values to ADMUX until one ADC clock cycle after ADSC is written.

If Auto Triggering is used, the exact time of the triggering event can be indeterministic. Special care must be taken when updating the ADMUX Register, in order to control which conversion will be affected by the new settings.

If both ADATE and ADEN is written to one, an interrupt event can occur at any time. If the ADMUX Register is changed in this period, the user cannot tell if the next conversion is based on the old or the new settings. ADMUX can be safely updated in the following ways:

- a. When ADATE or ADEN is cleared.
- b. During conversion, minimum one ADC clock cycle after the trigger event.
- c. After a conversion, before the interrupt flag used as trigger source is cleared.

When updating ADMUX in one of these conditions, the new settings will affect the next ADC conversion.

In order to start a conversion on an amplified channel, there is a dedicated ADASCR bit in ADCSRB register which wait for the next amplifier trigger event before really starting the conversion by an hardware setting of the ADSC bit in ADCSRA register.

### 21.5.1 ADC Input Channels

When changing channel selections, the user should observe the following guidelines to ensure that the correct channel is selected:

- In Single Conversion mode, always select the channel before starting the conversion. The channel selection may be changed one ADC clock cycle after writing one to ADSC. However, the simplest method is to wait for the conversion to complete before changing the channel selection.
- In Free Running mode, always select the channel before starting the first conversion. The channel selection may be changed one ADC clock cycle after writing one to ADSC. However, the simplest method is to wait for the first conversion to complete, and then change the channel selection. Since the next conversion has already started automatically, the next result will reflect the previous channel selection. Subsequent conversions will reflect the new channel selection.
- In Free Running mode, because the amplifier clear the ADSC bit at the end of an amplified conversion, it is not possible to use the free running mode, unless ADSC bit is set again by soft at the end of each conversion.

### 21.5.2 ADC Voltage Reference

The reference voltage for the ADC ( $V_{REF}$ ) indicates the conversion range for the ADC. Single ended channels that exceed  $V_{REF}$  will result in codes close to 0x3FF.  $V_{REF}$  can be selected as either  $AV_{CC}$ , internal 2.56V reference, or external AREF pin.

$AV_{CC}$  is connected to the ADC through a passive switch. The internal 2.56V reference is generated from the internal bandgap reference ( $V_{BG}$ ) through an internal amplifier. In either case, the external AREF pin is directly connected to the ADC, and the reference voltage can be made more immune to noise by connecting a capacitor between the AREF pin and ground.  $V_{REF}$  can also be measured at the AREF pin with a high impedant voltmeter. Note that  $V_{REF}$  is a high impedant source, and only a capacitive load should be connected in a system.

If the user has a fixed voltage source connected to the AREF pin, the user may not use the other reference voltage options in the application, as they will be shorted to the external voltage. If no external voltage is applied to the AREF pin, the user may switch between  $AV_{CC}$  and 2.56V as

reference selection. The first ADC conversion result after switching reference voltage source may be inaccurate, and the user is advised to discard this result.

If differential channels are used, the selected reference should not be closer to  $AV_{CC}$  than indicated in [Table 26-5 on page 308](#).

## 21.6 ADC Noise Canceler

The ADC features a noise canceler that enables conversion during sleep mode to reduce noise induced from the CPU core and other I/O peripherals. The noise canceler can be used with ADC Noise Reduction and Idle mode. To make use of this feature, the following procedure should be used:

- a. Make sure the ADATE bit is reset
- b. Make sure that the ADC is enabled and is not busy converting. Single Conversion mode must be selected and the ADC conversion complete interrupt must be enabled.
- c. Enter ADC Noise Reduction mode (or Idle mode). The ADC will start a conversion once the CPU has been halted.
- d. If no other interrupts occur before the ADC conversion completes, the ADC interrupt will wake up the CPU and execute the ADC Conversion Complete interrupt routine. If another interrupt wakes up the CPU before the ADC conversion is complete, that interrupt will be executed, and an ADC Conversion Complete interrupt request will be generated when the ADC conversion completes. The CPU will remain in active mode until a new sleep command is executed.

Note that the ADC will not be automatically turned off when entering other sleep modes than Idle mode and ADC Noise Reduction mode. The user is advised to write zero to ADEN before entering such sleep modes to avoid excessive power consumption.

If the ADC is enabled in such sleep modes and the user wants to perform differential conversions, the user is advised to switch the ADC off and on after waking up from sleep to prompt an extended conversion to get a valid result.

### 21.6.1 Analog Input Circuitry

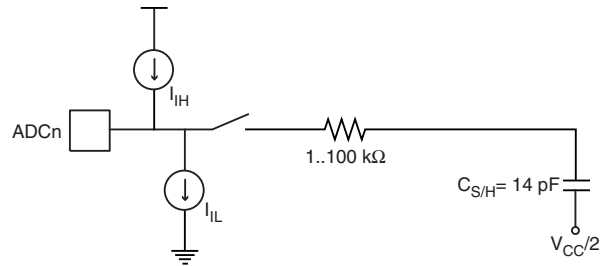
The analog input circuitry for single ended channels is illustrated in Figure 21-8. An analog source applied to ADC<sub>n</sub> is subjected to the pin capacitance and input leakage of that pin, regardless of whether that channel is selected as input for the ADC. When the channel is selected, the source must drive the S/H capacitor through the series resistance (combined resistance in the input path).

The ADC is optimized for analog signals with an output impedance of approximately 10 k $\Omega$  or less. If such a source is used, the sampling time will be negligible. If a source with higher impedance is used, the sampling time will depend on how long time the source needs to charge the S/H capacitor, with can vary widely. The user is recommended to only use low impedant sources with slowly varying signals, since this minimizes the required charge transfer to the S/H capacitor.

If differential gain channels are used, the input circuitry looks somewhat different, although source impedances of a few hundred k $\Omega$  or less is recommended.

Signal components higher than the Nyquist frequency ( $f_{ADC}/2$ ) should not be present for either kind of channels, to avoid distortion from unpredictable signal convolution. The user is advised to remove high frequency components with a low-pass filter before applying the signals as inputs to the ADC.

**Figure 21-8.** Analog Input Circuitry

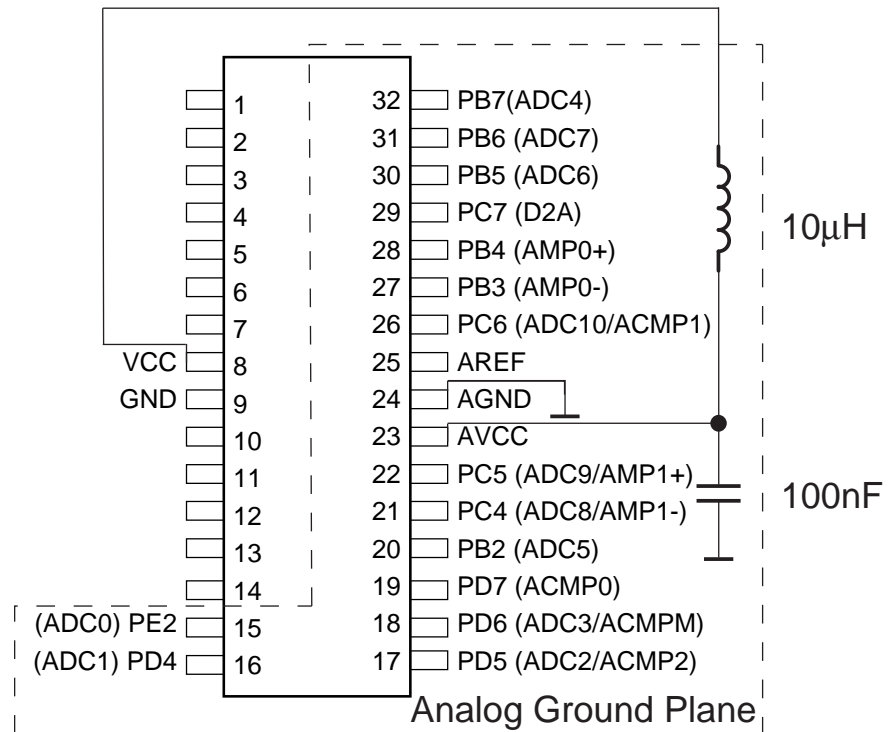


### 21.6.2 Analog Noise Canceling Techniques

Digital circuitry inside and outside the device generates EMI which might affect the accuracy of analog measurements. If conversion accuracy is critical, the noise level can be reduced by applying the following techniques:

- Keep analog signal paths as short as possible. Make sure analog tracks run over the analog ground plane, and keep them well away from high-speed switching digital tracks.
- The  $AV_{CC}$  pin on the device should be connected to the digital  $V_{CC}$  supply voltage via an LC network as shown in [Figure 21-9](#).
- Use the ADC noise canceler function to reduce induced noise from the CPU.
- If any ADC port pins are used as digital outputs, it is essential that these do not switch while a conversion is in progress.

**Figure 21-9.** ADC Power Connections



## 21.6.3 Offset Compensation Schemes

The gain stage has a built-in offset cancellation circuitry that nulls the offset of differential measurements as much as possible. The remaining offset in the analog path can be measured directly by shortening both differential inputs using the AMPxIS bit with both inputs unconnected. (See “Amplifier 0 Control and Status register – AMP0CSR” on page 257. and See “Amplifier 1 Control and Status register – AMP1CSR” on page 258.). This offset residue can be then subtracted in software from the measurement results. Using this kind of software based offset correction, offset on any channel can be reduced below one LSB.

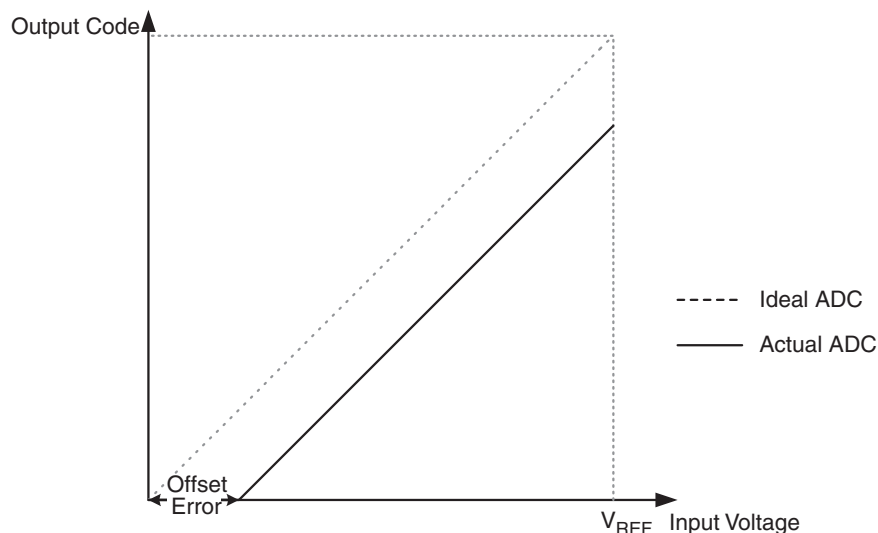
## 21.6.4 ADC Accuracy Definitions

An n-bit single-ended ADC converts a voltage linearly between GND and  $V_{REF}$  in  $2^n$  steps (LSBs). The lowest code is read as 0, and the highest code is read as  $2^n-1$ .

Several parameters describe the deviation from the ideal behavior:

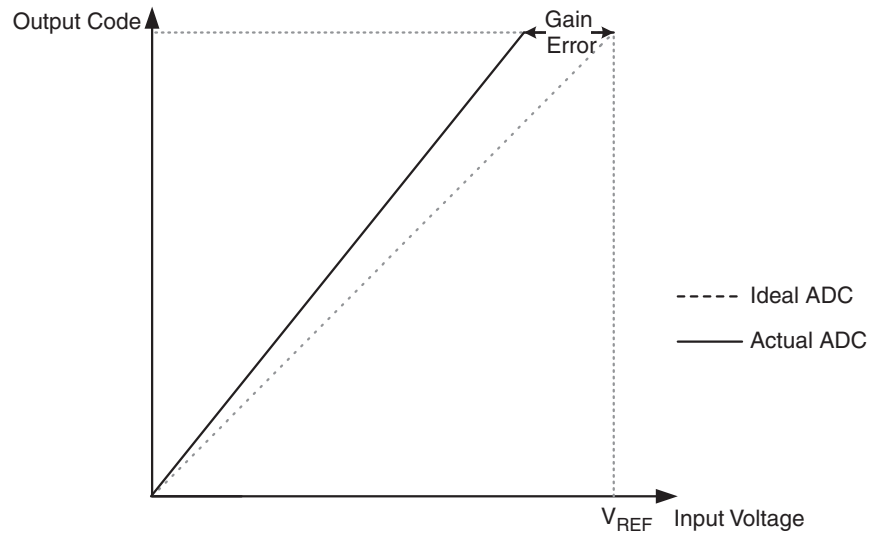
- Offset: The deviation of the first transition (0x000 to 0x001) compared to the ideal transition (at 0.5 LSB). Ideal value: 0 LSB.

**Figure 21-10.** Offset Error



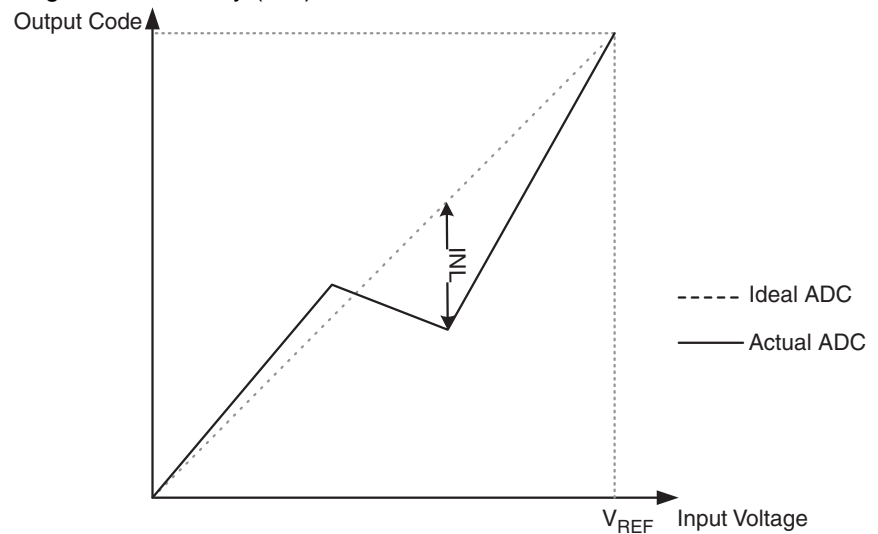
- Gain Error: After adjusting for offset, the Gain Error is found as the deviation of the last transition (0x3FE to 0x3FF) compared to the ideal transition (at 1.5 LSB below maximum). Ideal value: 0 LSB

**Figure 21-11. Gain Error**



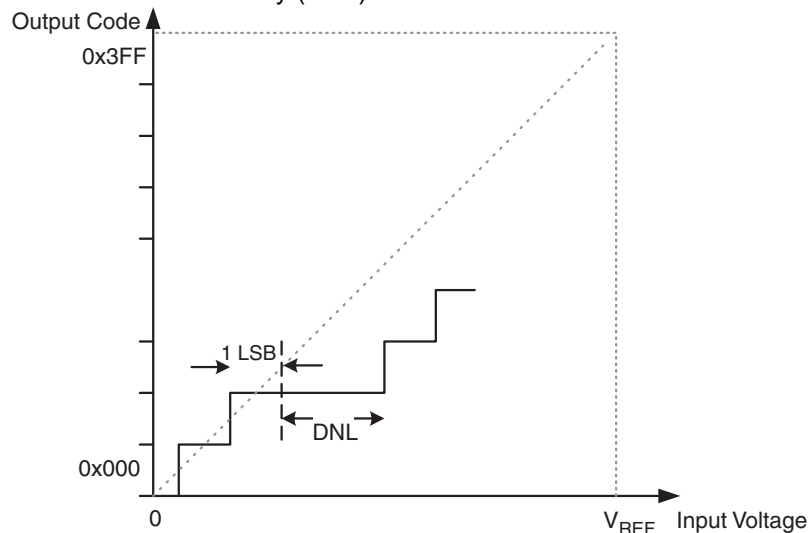
- Integral Non-linearity (INL): After adjusting for offset and gain error, the INL is the maximum deviation of an actual transition compared to an ideal transition for any code. Ideal value: 0 LSB.

**Figure 21-12. Integral Non-linearity (INL)**



- Differential Non-linearity (DNL): The maximum deviation of the actual code width (the interval between two adjacent transitions) from the ideal code width (1 LSB). Ideal value: 0 LSB.

Figure 21-13. Differential Non-linearity (DNL)



- Quantization Error: Due to the quantization of the input voltage into a finite number of codes, a range of input voltages (1 LSB wide) will code to the same value. Always  $\pm 0.5$  LSB.
- Absolute Accuracy: The maximum deviation of an actual (unadjusted) transition compared to an ideal transition for any code. This is the compound effect of offset, gain error, differential error, non-linearity, and quantization error. Ideal value:  $\pm 0.5$  LSB.

## 21.7 ADC Conversion Result

After the conversion is complete (ADIF is high), the conversion result can be found in the ADC Result Registers (ADCL, ADCH).

For single ended conversion, the result is:

$$ADC = \frac{V_{IN} \cdot 1023}{V_{REF}}$$

where  $V_{IN}$  is the voltage on the selected input pin and  $V_{REF}$  the selected voltage reference (see [Table 21-3 on page 250](#) and [Table 21-4 on page 250](#)). 0x000 represents analog ground, and 0x3FF represents the selected reference voltage.

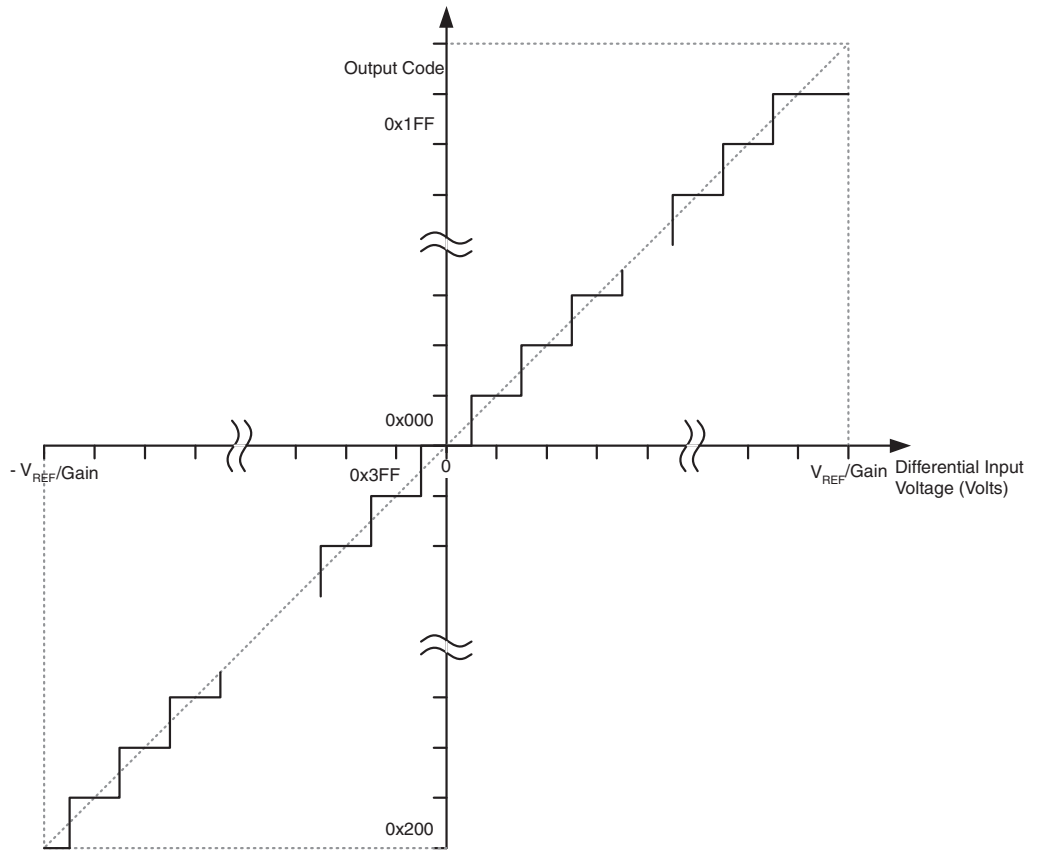
If differential channels are used, the result is:

$$ADC = \frac{(V_{POS} - V_{NEG}) \cdot GAIN \cdot 512}{V_{REF}}$$

where  $V_{POS}$  is the voltage on the positive input pin,  $V_{NEG}$  the voltage on the negative input pin, GAIN the selected gain factor and  $V_{REF}$  the selected voltage reference. The result is presented in two's complement form, from 0x200 (-512d) through 0x1FF (+511d). Note that if the user wants to perform a quick polarity check of the result, it is sufficient to read the MSB of the result (ADC9 in ADCH). If the bit is one, the result is negative, and if this bit is zero, the result is positive. [Figure 21-14](#) shows the decoding of the differential input range.

Table 82 shows the resulting output codes if the differential input channel pair (ADCn - ADCm) is selected with a reference voltage of  $V_{REF}$ .

**Figure 21-14. Differential Measurement Range**





**Table 21-2.** Correlation Between Input Voltage and Output Codes

$V_{ADCn}$	Read code	Corresponding decimal value
$V_{ADCm} + V_{REF}/GAIN$	0x1FF	511
$V_{ADCm} + 0.999 V_{REF}/GAIN$	0x1FF	511
$V_{ADCm} + 0.998 V_{REF}/GAIN$	0x1FE	510
...	...	...
$V_{ADCm} + 0.001 V_{REF}/GAIN$	0x001	1
$V_{ADCm}$	0x000	0
$V_{ADCm} - 0.001 V_{REF}/GAIN$	0x3FF	-1
...	...	...
$V_{ADCm} - 0.999 V_{REF}/GAIN$	0x201	-511
$V_{ADCm} - V_{REF}/GAIN$	0x200	-512

Example 1:

- ADMUX = 0xED (ADC3 - ADC2, 10x gain, 2.56V reference, left adjusted result)
- Voltage on ADC3 is 300 mV, voltage on ADC2 is 500 mV.
- ADCR =  $512 * 10 * (300 - 500) / 2560 = -400 = 0x270$
- ADCL will thus read 0x00, and ADCH will read 0x9C.  
Writing zero to ADLAR right adjusts the result: ADCL = 0x70, ADCH = 0x02.

Example 2:

- ADMUX = 0xFB (ADC3 - ADC2, 1x gain, 2.56V reference, left adjusted result)
- Voltage on ADC3 is 300 mV, voltage on ADC2 is 500 mV.
- ADCR =  $512 * 1 * (300 - 500) / 2560 = -41 = 0x029$ .
- ADCL will thus read 0x40, and ADCH will read 0x0A.  
Writing zero to ADLAR right adjusts the result: ADCL = 0x00, ADCH = 0x29.

## 21.8 ADC Register Description

The ADC of the AT90PWM216/316 is controlled through 3 different registers. The ADCSRA and The ADCSRB registers which are the ADC Control and Status registers, and the ADMUX which allows to select the Vref source and the channel to be converted.

The conversion result is stored on ADCH and ADCL register which contain respectively the most significant bits and the less significant bits.

### 21.8.1 ADC Multiplexer Register – ADMUX

Bit	7	6	5	4	3	2	1	0	
	REFS1	REFS0	ADLAR	-	MUX3	MUX2	MUX1	MUX0	ADMUX
Read/Write	R/W	R/W	R/W	-	R/W	R/W	R/W	R/W	
Initial Value	0	0	0	0	0	0	0	0	

- **Bit 7, 6 – REFS1, 0: ADC Vref Selection Bits**

These 2 bits determine the voltage reference for the ADC. The different settings are shown in [Table 21-3](#).

**Table 21-3.** ADC Voltage Reference Selection

REFS1	REFS0	Description
0	0	External Vref on AREF pin, Internal Vref is switched off
0	1	AVcc with external capacitor connected on the AREF pin
1	0	Reserved
1	1	Internal 2.56V Reference voltage with external capacitor connected on the AREF pin

If these bits are changed during a conversion, the change will not take effect until this conversion is complete (it means while the ADIF bit in ADCSRA register is set). In case the internal Vref is selected, it is turned ON as soon as an analog feature needed it is set.

• **Bit 5 – ADLAR: ADC Left Adjust Result**

Set this bit to left adjust the ADC result.  
Clear it to right adjust the ADC result.

The ADLAR bit affects the configuration of the ADC result data registers. Changing this bit affects the ADC data registers immediately regardless of any on going conversion. For a complete description of this bit, see Section “ADC Result Data Registers – ADCH and ADCL”, page 253.

• **Bit 3, 2, 1, 0 – MUX3, MUX2, MUX1, MUX0: ADC Channel Selection Bits**

These 4 bits determine which analog inputs are connected to the ADC input. The different settings are shown in [Table 21-4](#).

**Table 21-4.** ADC Input Channel Selection

MUX3	MUX2	MUX1	MUX0	Description
0	0	0	0	ADC0
0	0	0	1	ADC1
0	0	1	0	ADC2
0	0	1	1	ADC3
0	1	0	0	ADC4
0	1	0	1	ADC5
0	1	1	0	ADC6
0	1	1	1	ADC7
1	0	0	0	ADC8
1	0	0	1	ADC9
1	0	1	0	ADC10
1	0	1	1	AMP0
1	1	0	0	AMP1 (- is ADC8, + is ADC9)

**Table 21-4.** ADC Input Channel Selection

MUX3	MUX2	MUX1	MUX0	Description
1	1	0	1	Reserved
1	1	1	0	Bandgap
1	1	1	1	GND

If these bits are changed during a conversion, the change will not take effect until this conversion is complete (it means while the ADIF bit in ADCSRA register is set).

## 21.8.2 ADC Control and Status Register A – ADCSRA

Bit	7	6	5	4	3	2	1	0	
	ADEN	ADSC	ADATE	ADIF	ADIE	ADPS2	ADPS1	ADPS0	ADCSRA
Read/Write	R/W	R/W	R/W	R	R/W	R/W	R/W	R/W	
Initial Value	0	0	0	0	0	0	0	0	

- **Bit 7 – ADEN: ADC Enable Bit**

Set this bit to enable the ADC.

Clear this bit to disable the ADC.

Clearing this bit while a conversion is running will take effect at the end of the conversion.

- **Bit 6– ADSC: ADC Start Conversion Bit**

Set this bit to start a conversion in single conversion mode or to start the first conversion in free running mode.

Cleared by hardware when the conversion is complete. Writing this bit to zero has no effect.

The first conversion performs the initialization of the ADC.

- **Bit 5 – ADATE: ADC Auto trigger Enable Bit**

Set this bit to enable the auto triggering mode of the ADC.

Clear it to return in single conversion mode.

In auto trigger mode the trigger source is selected by the ADTS bits in the ADCSRB register.

See [Table 21-6 on page 252](#).

- **Bit 4– ADIF: ADC Interrupt Flag**

Set by hardware as soon as a conversion is complete and the Data register are updated with the conversion result.

Cleared by hardware when executing the corresponding interrupt handling vector.

Alternatively, ADIF can be cleared by writing it to logical one.

- **Bit 3– ADIE: ADC Interrupt Enable Bit**

Set this bit to activate the ADC end of conversion interrupt.

Clear it to disable the ADC end of conversion interrupt.

- **Bit 2, 1, 0– ADPS2, ADPS1, ADPS0: ADC Prescaler Selection Bits**

These 3 bits determine the division factor between the system clock frequency and input clock of the ADC.

The different setting are shown in [Table 21-5](#).

**Table 21-5.** ADC Prescaler Selection

ADPS2	ADPS1	ADPS0	Division Factor
0	0	0	2
0	0	1	2
0	1	0	4
0	1	1	8
1	0	0	16
1	0	1	32
1	1	0	64
1	1	1	128

### 21.8.3 ADC Control and Status Register B– ADCSRB

Bit	7	6	5	4	3	2	1	0	
	ADHSM	-	-	-	ADTS3	ADTS2	ADTS1	ADTS0	ADCSRB
Read/Write	-	-	-	-	R/W	R/W	R/W	R/W	
Initial Value	0	0	0	0	0	0	0	0	

- **Bit 7 – ADHSM: ADC High Speed Mode**

Writing this bit to one enables the ADC High Speed mode. Set this bit if you wish to convert with an ADC clock frequency higher than 200KHz.

- **Bit 3, 2, 1, 0– ADTS3:ADTS0: ADC Auto Trigger Source Selection Bits**

These bits are only necessary in case the ADC works in auto trigger mode. It means if ADATE bit in ADCSRA register is set.

In accordance with the Table 21-6, these 3 bits select the interrupt event which will generate the trigger of the start of conversion. The start of conversion will be generated by the rising edge of the selected interrupt flag whether the interrupt is enabled or not. In case of trig on PSCnASY event, there is no flag. So in this case a conversion will start each time the trig event appears and the previous conversion is completed..

**Table 21-6.** ADC Auto Trigger Source Selection for non amplified conversions

ADTS3	ADTS2	ADTS1	ADTS0	Description
0	0	0	0	Free Running Mode
0	0	0	1	Analog Comparator 0
0	0	1	0	External Interrupt Request 0
0	0	1	1	Timer/Counter0 Compare Match
0	1	0	0	Timer/Counter0 Overflow
0	1	0	1	Timer/Counter1 Compare Match B
0	1	1	0	Timer/Counter1 Overflow
0	1	1	1	Timer/Counter1 Capture Event
1	0	0	0	PSC0ASY Event <sup>(1)</sup>
1	0	0	1	PSC1ASY Event

**Table 21-6. ADC Auto Trigger Source Selection for non amplified conversions**

ADTS3	ADTS2	ADTS1	ADTS0	Description
1	0	1	0	PSC2ASY Event
1	0	1	1	Analog comparator 1
1	1	0	0	Analog comparator 2
1	1	0	1	Reserved
1	1	1	0	Reserved
1	1	1	1	Reserved

- For trigger on any PSC event, if the PSC uses the PLL clock, the core must use PLL/4 clock source

**Table 21-7. ADC Auto Trigger Source Selection for amplified conversions**

ADTS3	ADTS2	ADTS1	ADTS0	Description
0	0	0	0	Free Running Mode
1	0	0	0	PSC0ASY Event <sup>(1)</sup>
1	0	0	1	PSC1ASY Event
1	0	1	0	PSC2ASY Event

- For trigger on any PSC event, if the PSC uses the PLL clock, the core must use PLL/4 clock source

## 21.8.4 ADC Result Data Registers – ADCH and ADCL

When an ADC conversion is complete, the conversion results are stored in these two result data registers.

When the ADCL register is read, the two ADC result data registers can't be updated until the ADCH register has also been read.

Consequently, in 10-bit configuration, the ADCL register must be read first before the ADCH. Nevertheless, to work easily with only 8-bit precision, there is the possibility to left adjust the result thanks to the ADLAR bit in the ADCSRA register. Like this, it is sufficient to only read ADCH to have the conversion result.

### 21.8.4.1 ADLAR = 0

Bit	7	6	5	4	3	2	1	0	
	-	-	-	-	-	-	ADC9	ADC8	ADCH
	ADC7	ADC6	ADC5	ADC4	ADC3	ADC2	ADC1	ADC0	ADCL
Read/Write	R	R	R	R	R	R	R	R	
Initial Value	0	0	0	0	0	0	0	0	
	0	0	0	0	0	0	0	0	

### 21.8.4.2 ADLAR = 1

Bit	7	6	5	4	3	2	1	0	
	ADC9	ADC8	ADC7	ADC6	ADC5	ADC4	ADC3	ADC2	ADCH
	ADC1	ADC0	-	-	-	-	-	-	ADCL
Read/Write	R	R	R	R	R	R	R	R	
Initial Value	0	0	0	0	0	0	0	0	
	0	0	0	0	0	0	0	0	

### 21.8.5 Digital Input Disable Register 0 – DIDR0

Bit	7	6	5	4	3	2	1	0	
	ADC7D	ADC6D	ADC5D	ADC4D	ADC3D ACMPM	ADC2D ACMP2D	ADC1D	ADC0D	DIDR0
Read/Write	R/W	R/W	R/W	R/W	R/W	R/W	R/W	R/W	
Initial Value	0	0	0	0	0	0	0	0	

- **Bit 7:0 – ADC7D..ADC0D: ACMP2:1 and ADC7:0 Digital Input Disable**

When this bit is written logic one, the digital input buffer on the corresponding ADC pin is disabled. The corresponding PIN Register bit will always read as zero when this bit is set. When an analog signal is applied to the ADC7..0 pin and the digital input from this pin is not needed, this bit should be written logic one to reduce power consumption in the digital input buffer.

### 21.8.6 Digital Input Disable Register 1– DIDR1

Bit	7	6	5	4	3	2	1	0	
	-	-	ACMP0D	AMP0PD	AMP0ND	ADC10D ACMP1D	ADC9D AMP1PD	ADC8D AMP1ND	DIDR1
Read/Write	-	-	R/W	R/W	R/W	R/W	R/W	R/W	
Initial Value	0	0	0	0	0	0	0	0	

- **Bit 5:0 – ACMP0D, AMP0+D, AMP0-D, ADC10D..ADC8D: ACMP0, AMP1:0 and ADC10:8 Digital Input Disable**

When this bit is written logic one, the digital input buffer on the corresponding ADC pin is disabled. The corresponding PIN Register bit will always read as zero when this bit is set. When an analog signal is applied to an analog pin and the digital input from this pin is not needed, this bit should be written logic one to reduce power consumption in the digital input buffer.

## 21.9 Amplifier

The AT90PWM216/316 features two differential amplified channels with programmable 5, 10, 20, and 40 gain stage. Despite the result is given by the 10 bit ADC, the amplifier has been sized to give a 8bits resolution.

Because the amplifier is a switching capacitor amplifier, it needs to be clocked by a synchronization signal called in this document the amplifier synchronization clock. The maximum frequency of this clock is 250KHz.

To ensure an accurate result, the amplifier input needs to have a quite stable input value at the sampling point during at least 4 Amplifier synchronization clock periods.

Amplified conversions can be synchronized to PSC events (See [“Synchronization Source Description in One/Two/Four Ramp Modes” on page 163](#) and [“Synchronization Source Description in Centered Mode” on page 163](#)) or to the internal clock  $CK_{ADC}$  equal to eighth the ADC clock frequency. In case the synchronization is done by the ADC clock divided by 8, this syn-

chronization is done automatically by the ADC interface in such a way that the sample-and-hold occurs at a specific phase of  $CK_{ADC2}$ . A conversion initiated by the user (i.e., all single conversions, and the first free running conversion) when  $CK_{ADC2}$  is low will take the same amount of time as a single ended conversion (13 ADC clock cycles from the next prescaled clock cycle). A conversion initiated by the user when  $CK_{ADC2}$  is high will take 14 ADC clock cycles due to the synchronization mechanism.

The normal way to use the amplifier is to select a synchronization clock via the AMPxTS1:0 bits in the AMPxCSR register. Then the amplifier can be switched on, and the amplification is done on each synchronization event. The amplification is done independently of the ADC.

In order to start an amplified Analog to Digital Conversion on the amplified channel, the ADMUX must be configured as specified on [Table 21-4 on page 250](#).

The ADC starting is done by setting the ADSC (ADC Start conversion) bit in the ADCSRB register.

Until the conversion is not achieved, it is not possible to start a conversion on another channel.

The conversion takes advantage of the amplifier characteristics to ensure minimum conversion time.

As soon as a conversion is requested thanks to the ADSC bit, the Analog to Digital Conversion is started. In order to have a better understanding of the functioning of the amplifier synchronization, a timing diagram example is shown [Figure 21-15](#).

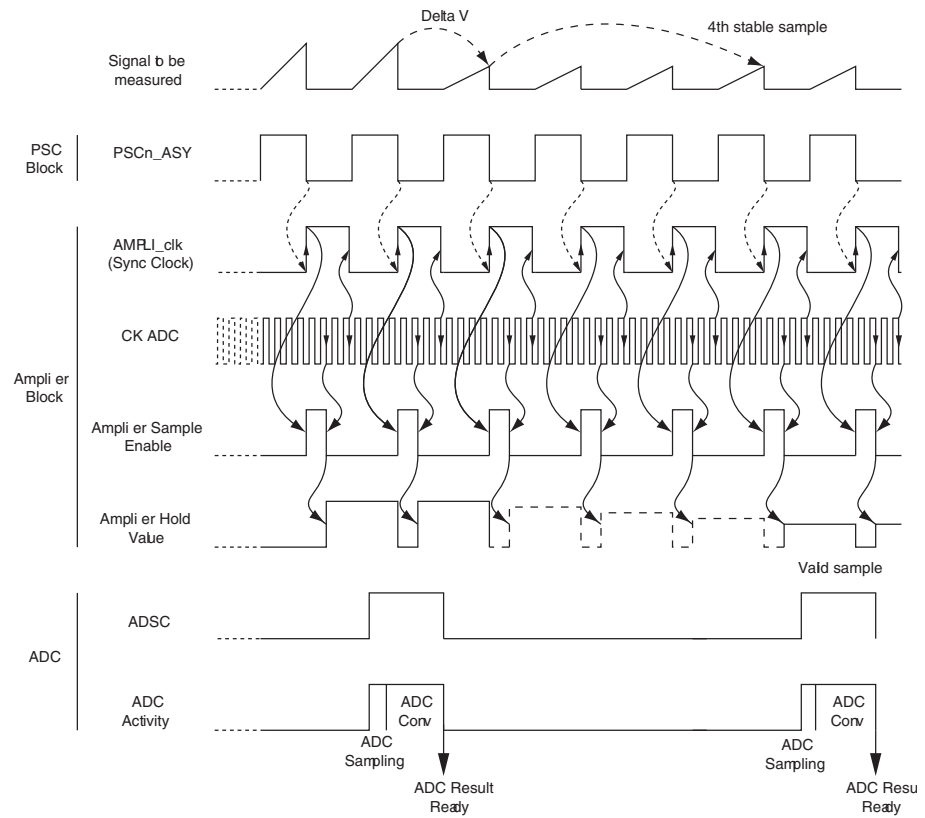
In case the amplifier output is modified during the sample phase of the ADC, the on-going conversion is aborted and restarted as soon as the output of the amplifier is stable as shown [Figure 21-16](#).

The only precaution to take is to be sure that the trig signal (PSC) frequency is lower than  $ADCclk/4$ .

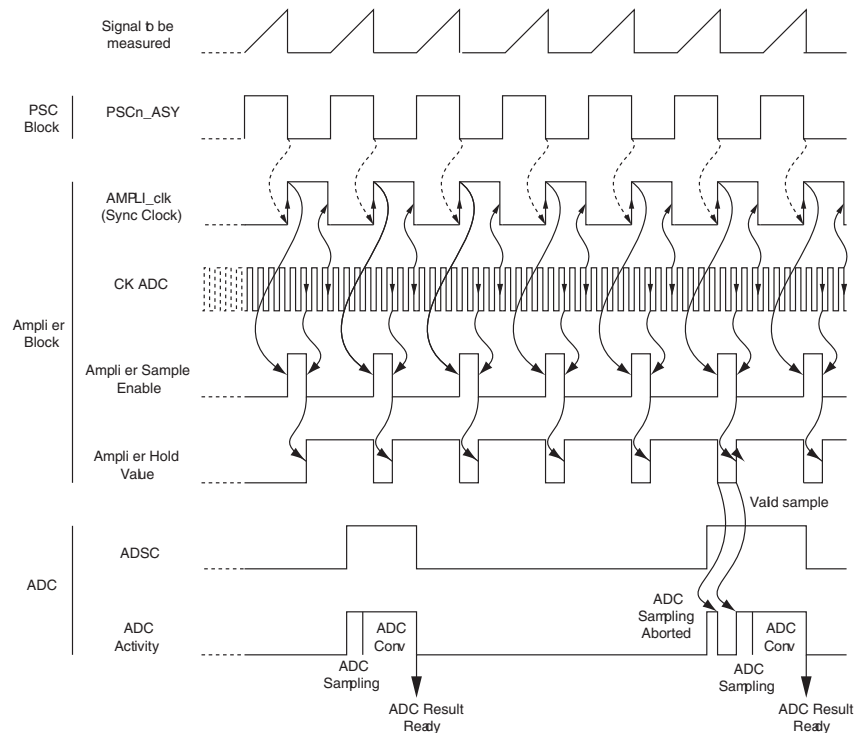
It is also possible to auto trigger conversion on the amplified channel. In this case, the conversion is started at the next amplifier clock event following the last auto trigger event selected thanks to the ADTS bits in the ADCSRB register. In auto trigger conversion, the free running mode is not possible unless the ADSC bit in ADCSRA is set by soft after each conversion.

Only PSC sources can auto trigger amplified conversion. In this case, the core must have a clock synchronous with the PSC; **if the PSC uses the PLL clock, the core must use PLL/4 clock source.**

**Figure 21-15.** Amplifier synchronization timing diagram with change on analog input signal.



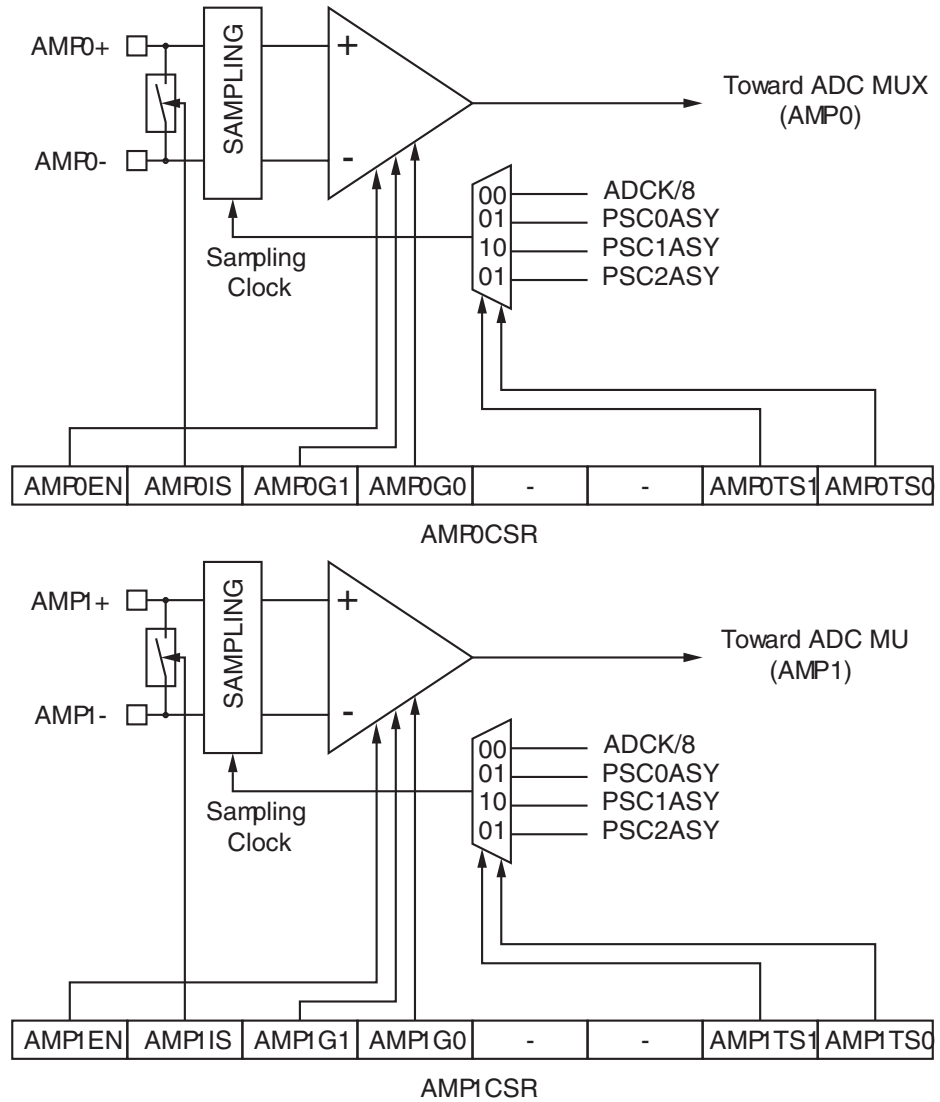
**Figure 21-16.** Amplifier synchronization timing diagram: behavior when ADSC is set when the amplifier output is changing.





The block diagram of the two amplifiers is shown on [Figure 21-17](#).

**Figure 21-17.** Amplifiers block diagram



## 21.10 Amplifier Control Registers

The configuration of the amplifiers are controlled via two dedicated registers AMP0CSR and AMP1CSR. Then the start of conversion is done via the ADC control and status registers.

The conversion result is stored on ADCH and ADCL register which contain respectively the most significant bits and the less significant bits.

### 21.10.1 Amplifier 0 Control and Status register – AMP0CSR

Bit	7	6	5	4	3	2	1	0	
	AMP0EN	AMP0IS	AMP0G1	AMP0G0	-	-	AMP0TS1	AMP0TS0	AMP0CSR
Read/Write	R/W	R/W	R/W	R/W	-	-	R/W	R/W	
Initial Value	0	0	0	0	0	0	0	0	

- **Bit 7 – AMP0EN: Amplifier 0 Enable Bit**

Set this bit to enable the Amplifier 0.

Clear this bit to disable the Amplifier 0.

Clearing this bit while a conversion is running will take effect at the end of the conversion.

Warning: Always clear AMPnTS0:1 when clearing AMPxEN

- **Bit 6– AMP0IS: Amplifier 0 Input Shunt**

Set this bit to short-circuit the Amplifier 0 input.

Clear this bit to normally use the Amplifier 0.

- **Bit 5, 4– AMP0G1, 0: Amplifier 0 Gain Selection Bits**

These 2 bits determine the gain of the amplifier 0.

The different setting are shown in [Table 21-8](#).

**Table 21-8.** Amplifier 0 Gain Selection

AMP0G1	AMP0G0	Description
0	0	Gain 5
0	1	Gain 10
1	0	Gain 20
1	1	Gain 40

To ensure an accurate result, after the gain value has been changed, the amplifier input needs to have a quite stable input value during at least 4 Amplifier synchronization clock periods.

- **Bit 1, 0– AMP0TS1, AMP0TS0: Amplifier 0 Trigger Source Selection Bits**

In accordance with the [Table 21-9](#), these 2 bits select the event which will generate the trigger for the amplifier 0. This trigger source is necessary to start the conversion on the amplified channel.

**Table 21-9.** AMP0 Auto Trigger Source Selection

AMP0TS1	AMP0TS0	Description
0	0	Auto synchronization on ADC Clock/8
0	1	Trig on PSC0ASY
1	0	Trig on PSC1ASY
1	1	Trig on PSC2ASY

### 21.10.2 Amplifier 1 Control and Status register – AMP1CSR

Bit	7	6	5	4	3	2	1	0	
	<b>AMP1EN</b>	<b>AMP1IS</b>	<b>AMP1G1</b>	<b>AMP1G0</b>	-	-	<b>AMP1TS1</b>	<b>AMP1TS0</b>	<b>AMP1CSR</b>
Read/Write	R/W	R/W	R/W	R/W	-	-	R/W	R/W	
Initial Value	0	0	0	0	0	0	0	0	

- **Bit 7 – AMP1EN: Amplifier 1 Enable Bit**

Set this bit to enable the Amplifier 1.

Clear this bit to disable the Amplifier 1.

Clearing this bit while a conversion is running will take effect at the end of the conversion.

Warning: Always clear AMPnTS0:1 when clearing AMPxEN

- **Bit 6– AMP1IS: Amplifier 1 Input Shunt**

Set this bit to short-circuit the Amplifier 1 input.

Clear this bit to normally use the Amplifier 1.

- **Bit 5, 4– AMP1G1, 0: Amplifier 1 Gain Selection Bits**

These 2 bits determine the gain of the amplifier 0.

The different settings are shown in [Table 21-10](#).

**Table 21-10.** Amplifier 1 Gain Selection

AMP1G1	AMP1G0	Description
0	0	Gain 5
0	1	Gain 10
1	0	Gain 20
1	1	Gain 40

To ensure an accurate result, after the gain value has been changed, the amplifier input needs to have a quite stable input value during at least 4 Amplifier synchronization clock periods.

- **Bit 1, 0– AMP1TS1, AMP1TS0: Amplifier 1 Trigger Source Selection Bits**

In accordance with the [Table 21-11](#), these 2 bits select the event which will generate the trigger for the amplifier 1. This trigger source is necessary to start the conversion on the amplified channel.

**Table 21-11.** AMP1 Auto Trigger source selection

AMP1TS1	AMP1TS0	Description
0	0	Auto synchronization on ADC Clock/8
0	1	Trig on PSC0ASY
1	0	Trig on PSC1ASY
1	1	Trig on PSC2ASY

## 22. Digital to Analog Converter - DAC

### 22.1 Features

- 10 bits resolution
- 8 bits linearity
- +/- 0.5 LSB accuracy between 150mV and AV<sub>CC</sub>-150mV
- $V_{out} = DAC * V_{ref} / 1023$
- The DAC could be connected to the negative inputs of the analog comparators and/or to a dedicated output driver.
- Output impedance around 100 Ohm.

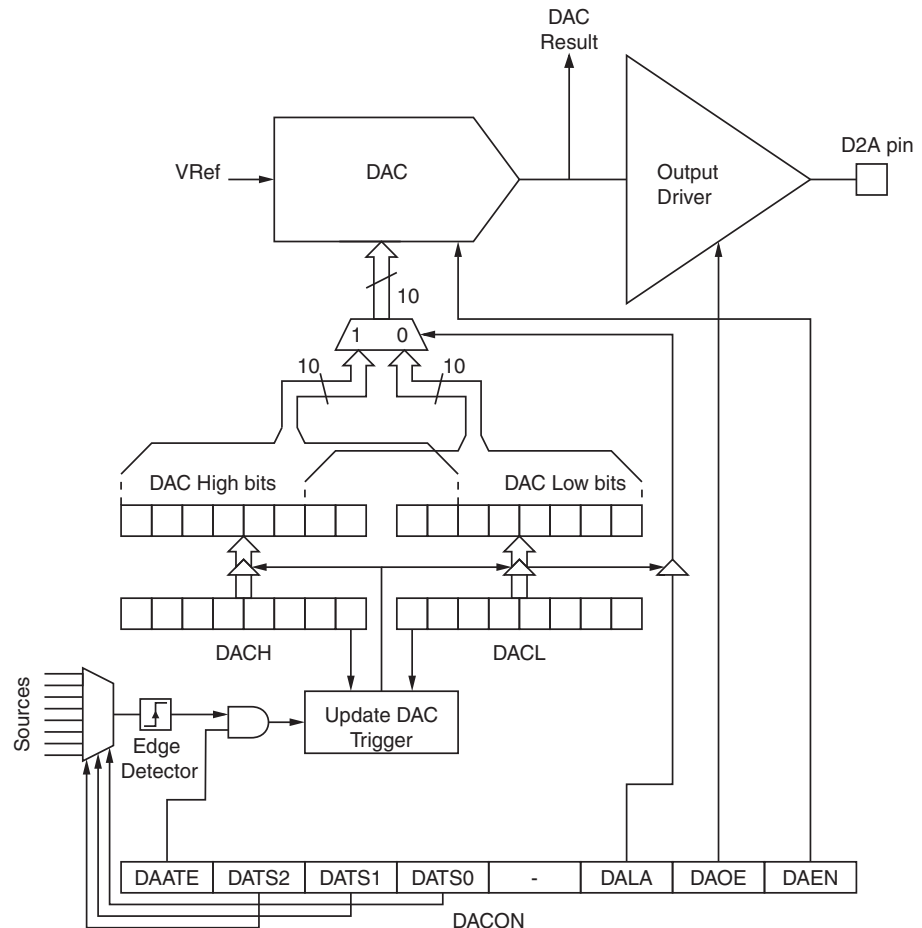
The AT90PWM216/316 features a 10-bit Digital to Analog Converter. This DAC can be used for the analog comparators and/or can be output on the D2A pin of the microcontroller via a dedicated driver.

This allow to drive (worst case) a 1nF capacitance in parallel with a resistor higher than 33K load with a time constant around 1us. Response time and power consumption are improved by reducing the load (reducing the capacitor value and increasing the load resistor value (The best case is a high impedance)).

The DAC has a separate analog supply voltage pin, AV<sub>CC</sub>. AV<sub>CC</sub> must not differ more than ± 0.3V from V<sub>CC</sub>. See the paragraph [“ADC Noise Canceler” on page 243](#) on how to connect this pin.

The reference voltage is the same as the one used for the ADC, See [“ADC Multiplexer Register – ADMUX” on page 249](#).. These nominally 2.56V V<sub>ref</sub> or AV<sub>CC</sub> are provided On-chip. The voltage reference may be externally decoupled at the AREF pin by a capacitor for better noise performance.

Figure 22-1. Digital to Analog Converter Block Schematic



## 22.2 Operation

The Digital to Analog Converter generates an analog signal proportional to the value of the DAC registers value.

In order to have an accurate sampling frequency control, there is the possibility to update the DAC input values through different trigger events.

## 22.3 Starting a Conversion

The DAC is configured thanks to the DACON register. As soon as the DAEN bit in DACON register is set, the DAC converts the value present on the DACH and DACL registers in accordance with the register DACON setting.

Alternatively, a conversion can be triggered automatically by various sources. Auto Triggering is enabled by setting the DAC Auto Trigger Enable bit, DAATE in DACON. The trigger source is selected by setting the DAC Trigger Select bits, DATS in DACON (See description of the DATS bits for a list of the trigger sources). When a positive edge occurs on the selected trigger signal, the DAC converts the value present on the DACH and DACL registers in accordance with the register DACON setting. This provides a method of starting conversions at fixed intervals. If the trigger signal is still set when the conversion completes, a new conversion will not be started. If another positive edge occurs on the trigger signal during conversion, the edge will be ignored.

Note that an interrupt flag will be set even if the specific interrupt is disabled or the Global Interrupt Enable bit in SREG is cleared. A conversion can thus be triggered without causing an interrupt. However, the interrupt flag must be cleared in order to trigger a new conversion at the next interrupt event.

### 22.3.1 DAC Voltage Reference

The reference voltage for the ADC ( $V_{REF}$ ) indicates the conversion range for the DAC.  $V_{REF}$  can be selected as either  $AV_{CC}$ , internal 2.56V reference, or external AREF pin.

$AV_{CC}$  is connected to the DAC through a passive switch. The internal 2.56V reference is generated from the internal bandgap reference ( $V_{BG}$ ) through an internal amplifier. In either case, the external AREF pin is directly connected to the DAC, and the reference voltage can be made more immune to noise by connecting a capacitor between the AREF pin and ground.  $V_{REF}$  can also be measured at the AREF pin with a high impedant voltmeter. Note that  $V_{REF}$  is a high impedant source, and only a capacitive load should be connected in a system.

If the user has a fixed voltage source connected to the AREF pin, the user may not use the other reference voltage options in the application, as they will be shorted to the external voltage. If no external voltage is applied to the AREF pin, the user may switch between  $AV_{CC}$  and 2.56V as reference selection. The first DAC conversion result after switching reference voltage source may be inaccurate, and the user is advised to discard this result.

## 22.4 DAC Register Description

The DAC is controlled via three dedicated registers:

- The DACON register which is used for DAC configuration
- DACH and DACL which are used to set the value to be converted.

### 22.4.1 Digital to Analog Conversion Control Register – DACON

Bit	7	6	5	4	3	2	1	0	
	DAATE	DATS2	DATS1	DATS0	-	DALA	DAOE	DAEN	DACON
Read/Write	R/W	R/W	R/W	R/W	-	R/W	R/W	R/W	
Initial Value	0	0	0	0	0	0	0	0	

- **Bit 7 – DAATE: DAC Auto Trigger Enable bit**

Set this bit to update the DAC input value on the positive edge of the trigger signal selected with the DATS2-0 bit in DACON register.

Clear it to automatically update the DAC input when a value is written on DACH register.

- **Bit 6:4 – DATS2, DATS1, DATS0: DAC Trigger Selection bits**

These bits are only necessary in case the DAC works in auto trigger mode. It means if DAATE bit is set.

In accordance with the [Table 22-1](#), these 3 bits select the interrupt event which will generate the update of the DAC input values. The update will be generated by the rising edge of the selected interrupt flag whether the interrupt is enabled or not.

**Table 22-1.** DAC Auto Trigger source selection

DATS2	DATS1	DATS0	Description
0	0	0	Analog comparator 0
0	0	1	Analog comparator 1
0	1	0	External Interrupt Request 0
0	1	1	Timer/Counter0 Compare Match
1	0	0	Timer/Counter0 Overflow
1	0	1	Timer/Counter1 Compare Match B
1	1	0	Timer/Counter1 Overflow
1	1	1	Timer/Counter1 Capture Event

- **Bit 2 – DALA: Digital to Analog Left Adjust**

Set this bit to left adjust the DAC input data.

Clear it to right adjust the DAC input data.

The DALA bit affects the configuration of the DAC data registers. Changing this bit affects the DAC output on the next DACH writing.

- **Bit 1 – DAOE: Digital to Analog Output Enable bit**

Set this bit to output the conversion result on D2A,

Clear it to use the DAC internally.

- **Bit 0 – DAEN: Digital to Analog Enable bit**

Set this bit to enable the DAC,

Clear it to disable the DAC.

## 22.4.2 Digital to Analog Converter input Register – DACH and DACL

DACH and DACL registers contain the value to be converted into analog voltage.

Writing the DACL register forbid the update of the input value until DACH has not been written too. So the normal way to write a 10-bit value in the DAC register is firstly to write DACL the DACH.

In order to work easily with only 8 bits, there is the possibility to left adjust the input value. Like this it is sufficient to write DACH to update the DAC value.

### 22.4.2.1 DALA = 0

Bit	7	6	5	4	3	2	1	0	
	-	-	-	-	-	-	DAC9	DAC8	DACH
	DAC7	DAC6	DAC5	DAC4	DAC3	DAC2	DAC1	DAC0	DACL
Read/Write	R/W	R/W	R/W	R/W	R/W	R/W	R/W	R/W	
Initial Value	0	0	0	0	0	0	0	0	
	0	0	0	0	0	0	0	0	

### 22.4.2.2 DALA = 1

Bit	7	6	5	4	3	2	1	0	
	DAC9	DAC8	DAC7	DAC6	DAC5	DAC4	DAC3	DAC2	DACH
	DAC1	DAC0	-	-	-	-	-	-	DAKL
Read/Write	R/W	R/W	R/W	R/W	R/W	R/W	R/W	R/W	
	R/W	R/W	R/W	R/W	R/W	R/W	R/W	R/W	
Initial Value	0	0	0	0	0	0	0	0	
	0	0	0	0	0	0	0	0	

To work with the 10-bit DAC, two registers have to be updated. In order to avoid intermediate value, the DAC input values which are really converted into analog signal are buffering into unreachable registers. In normal mode, the update of the shadow register is done when the register DACH is written.

In case DAATE bit is set, the DAC input values will be updated on the trigger event selected through DATS bits.

In order to avoid wrong DAC input values, the update can only be done after having written respectively DACH and DAKL registers. It is possible to work on 8-bit configuration by only writing the DACH value. In this case, update is done each trigger event.

In case DAATE bit is cleared, the DAC is in an automatic update mode. Writing the DACH register automatically update the DAC input values with the DACH and DAKL register values.

It means that whatever is the configuration of the DAATE bit, changing the DAKL register has no effect on the DAC output until the DACH register has also been updated. So, to work with 10 bits, DAKL must be written first before DACH. To work with 8-bit configuration, writing DACH allows the update of the DAC.



## 23. debugWIRE On-chip Debug System

### 23.1 Features

- Complete Program Flow Control
- Emulates All On-chip Functions, Both Digital and Analog, except RESET Pin
- Real-time Operation
- Symbolic Debugging Support (Both at C and Assembler Source Level, or for Other HLLs)
- Unlimited Number of Program Break Points (Using Software Break Points)
- Non-intrusive Operation
- Electrical Characteristics Identical to Real Device
- Automatic Configuration System
- High-Speed Operation
- Programming of Non-volatile Memories

### 23.2 Overview

The debugWIRE On-chip debug system uses a One-wire, bi-directional interface to control the program flow, execute AVR instructions in the CPU and to program the different non-volatile memories.

### 23.3 Physical Interface

When the debugWIRE Enable (DWEN) Fuse is programmed and Lock bits are unprogrammed, the debugWIRE system within the target device is activated. The RESET port pin is configured as a wire-AND (open-drain) bi-directional I/O pin with pull-up enabled and becomes the communication gateway between target and emulator.

**Figure 23-1.** The debugWIRE Setup

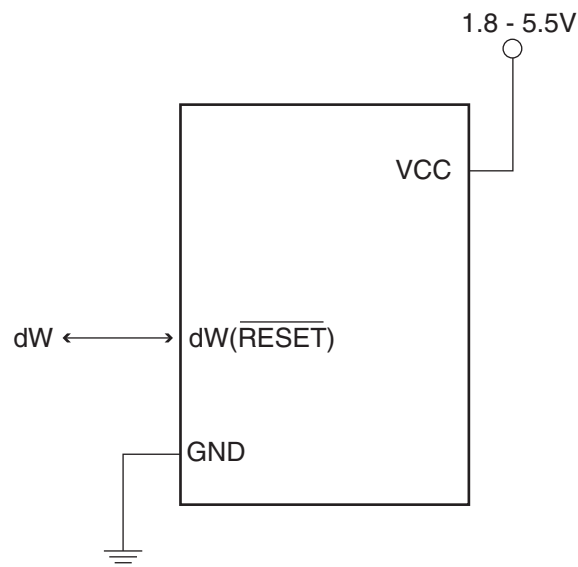


Figure 23-1 shows the schematic of a target MCU, with debugWIRE enabled, and the emulator connector. The system clock is not affected by debugWIRE and will always be the clock source selected by the CKSEL Fuses.

When designing a system where debugWIRE will be used, the following observations must be made for correct operation:

- Pull-up resistors on the dW/(RESET) line must not be smaller than 10kΩ. The pull-up resistor is not required for debugWIRE functionality.
- Connecting the RESET pin directly to V<sub>CC</sub> will not work.
- Capacitors connected to the RESET pin must be disconnected when using debugWire.
- All external reset sources must be disconnected.

## 23.4 Software Break Points

debugWIRE supports Program memory Break Points by the AVR Break instruction. Setting a Break Point in AVR Studio<sup>®</sup> will insert a BREAK instruction in the Program memory. The instruction replaced by the BREAK instruction will be stored. When program execution is continued, the stored instruction will be executed before continuing from the Program memory. A break can be inserted manually by putting the BREAK instruction in the program.

The Flash must be re-programmed each time a Break Point is changed. This is automatically handled by AVR Studio through the debugWIRE interface. The use of Break Points will therefore reduce the Flash Data retention. Devices used for debugging purposes should not be shipped to end customers.

## 23.5 Limitations of debugWIRE

The debugWIRE communication pin (dW) is physically located on the same pin as External Reset (RESET). An External Reset source is therefore not supported when the debugWIRE is enabled.

The debugWIRE system accurately emulates all I/O functions when running at full speed, i.e., when the program in the CPU is running. When the CPU is stopped, care must be taken while accessing some of the I/O Registers via the debugger (AVR Studio).

A programmed DWEN Fuse enables some parts of the clock system to be running in all sleep modes. This will increase the power consumption while in sleep. Thus, the DWEN Fuse should be disabled when debugWire is not used.

## 23.6 debugWIRE Related Register in I/O Memory

The following section describes the registers used with the debugWire.

### 23.6.1 debugWire Data Register – DWDR

Bit	7	6	5	4	3	2	1	0	
	DWDR[7:0]								DWDR
Read/Write	R/W	R/W	R/W	R/W	R/W	R/W	R/W	R/W	
Initial Value	0	0	0	0	0	0	0	0	

The DWDR Register provides a communication channel from the running program in the MCU to the debugger. This register is only accessible by the debugWIRE and can therefore not be used as a general purpose register in the normal operations.

## 24. Boot Loader Support – Read-While-Write Self-Programming

In AT90PWM216/316, the Boot Loader Support provides a real Read-While-Write Self-Programming mechanism for downloading and uploading program code by the MCU itself. This feature allows flexible application software updates controlled by the MCU using a Flash-resident Boot Loader program. The Boot Loader program can use any available data interface and associated protocol to read code and write (program) that code into the Flash memory, or read the code from the program memory. The program code within the Boot Loader section has the capability to write into the entire Flash, including the Boot Loader memory. The Boot Loader can thus even modify itself, and it can also erase itself from the code if the feature is not needed anymore. The size of the Boot Loader memory is configurable with fuses and the Boot Loader has two separate sets of Boot Lock bits which can be set independently. This gives the user a unique flexibility to select different levels of protection.

### 24.1 Boot Loader Features

- Read-While-Write Self-Programming
- Flexible Boot Memory Size
- High Security (Separate Boot Lock Bits for a Flexible Protection)
- Separate Fuse to Select Reset Vector
- Optimized Page<sup>(1)</sup> Size
- Code Efficient Algorithm
- Efficient Read-Modify-Write Support

Note: 1. A page is a section in the Flash consisting of several bytes (see [Table 25-11 on page 287](#)) used during programming. The page organization does not affect normal operation.

### 24.2 Application and Boot Loader Flash Sections

The Flash memory is organized in two main sections, the Application section and the Boot Loader section (see [Figure 24-2](#)). The size of the different sections is configured by the BOOTSZ Fuses as shown in [Table 24-6 on page 279](#) and [Figure 24-2](#). These two sections can have different level of protection since they have different sets of Lock bits.

#### 24.2.1 Application Section

The Application section is the section of the Flash that is used for storing the application code. The protection level for the Application section can be selected by the application Boot Lock bits (Boot Lock bits 0), see [Table 24-2 on page 271](#). The Application section can never store any Boot Loader code since the SPM instruction is disabled when executed from the Application section.

#### 24.2.2 BLS – Boot Loader Section

While the Application section is used for storing the application code, the The Boot Loader software must be located in the BLS since the SPM instruction can initiate a programming when executing from the BLS only. The SPM instruction can access the entire Flash, including the BLS itself. The protection level for the Boot Loader section can be selected by the Boot Loader Lock bits (Boot Lock bits 1), see [Table 24-3 on page 271](#).

### 24.3 Read-While-Write and No Read-While-Write Flash Sections

Whether the CPU supports Read-While-Write or if the CPU is halted during a Boot Loader software update is dependent on which address that is being programmed. In addition to the two sections that are configurable by the BOOTSZ Fuses as described above, the Flash is also

divided into two fixed sections, the Read-While-Write (RWW) section and the No Read-While-Write (NRWW) section. The limit between the RWW- and NRWW sections is given in [Table 24-7 on page 279](#) and [Figure 24-2 on page 270](#). The main difference between the two sections is:

- When erasing or writing a page located inside the RWW section, the NRWW section can be read during the operation.
- When erasing or writing a page located inside the NRWW section, the CPU is halted during the entire operation.

Note that the user software can never read any code that is located inside the RWW section during a Boot Loader software operation. The syntax “Read-While-Write section” refers to which section that is being programmed (erased or written), not which section that actually is being read during a Boot Loader software update.

### 24.3.1 RWW – Read-While-Write Section

If a Boot Loader software update is programming a page inside the RWW section, it is possible to read code from the Flash, but only code that is located in the NRWW section. During an on-going programming, the software must ensure that the RWW section never is being read. If the user software is trying to read code that is located inside the RWW section (i.e., by a call/jmp/lpm or an interrupt) during programming, the software might end up in an unknown state. To avoid this, the interrupts should either be disabled or moved to the Boot Loader section. The Boot Loader section is always located in the NRWW section. The RWW Section Busy bit (RWWSB) in the Store Program Memory Control and Status Register (SPMCSR) will be read as logical one as long as the RWW section is blocked for reading. After a programming is completed, the RWWSB must be cleared by software before reading code located in the RWW section. See [“Store Program Memory Control and Status Register – SPMCSR” on page 272](#). for details on how to clear RWWSB.

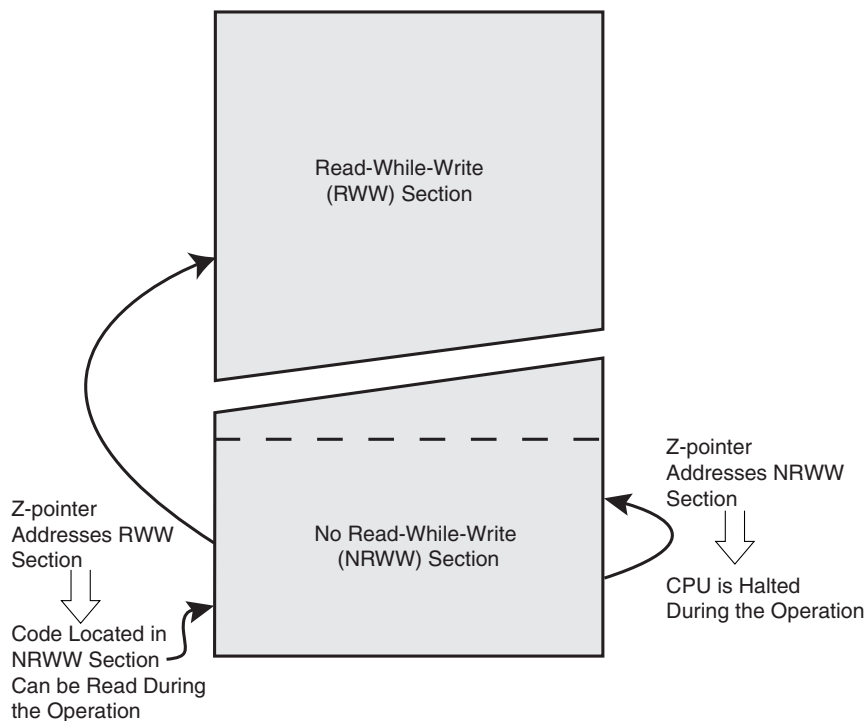
### 24.3.2 NRWW – No Read-While-Write Section

The code located in the NRWW section can be read when the Boot Loader software is updating a page in the RWW section. When the Boot Loader code updates the NRWW section, the CPU is halted during the entire Page Erase or Page Write operation.

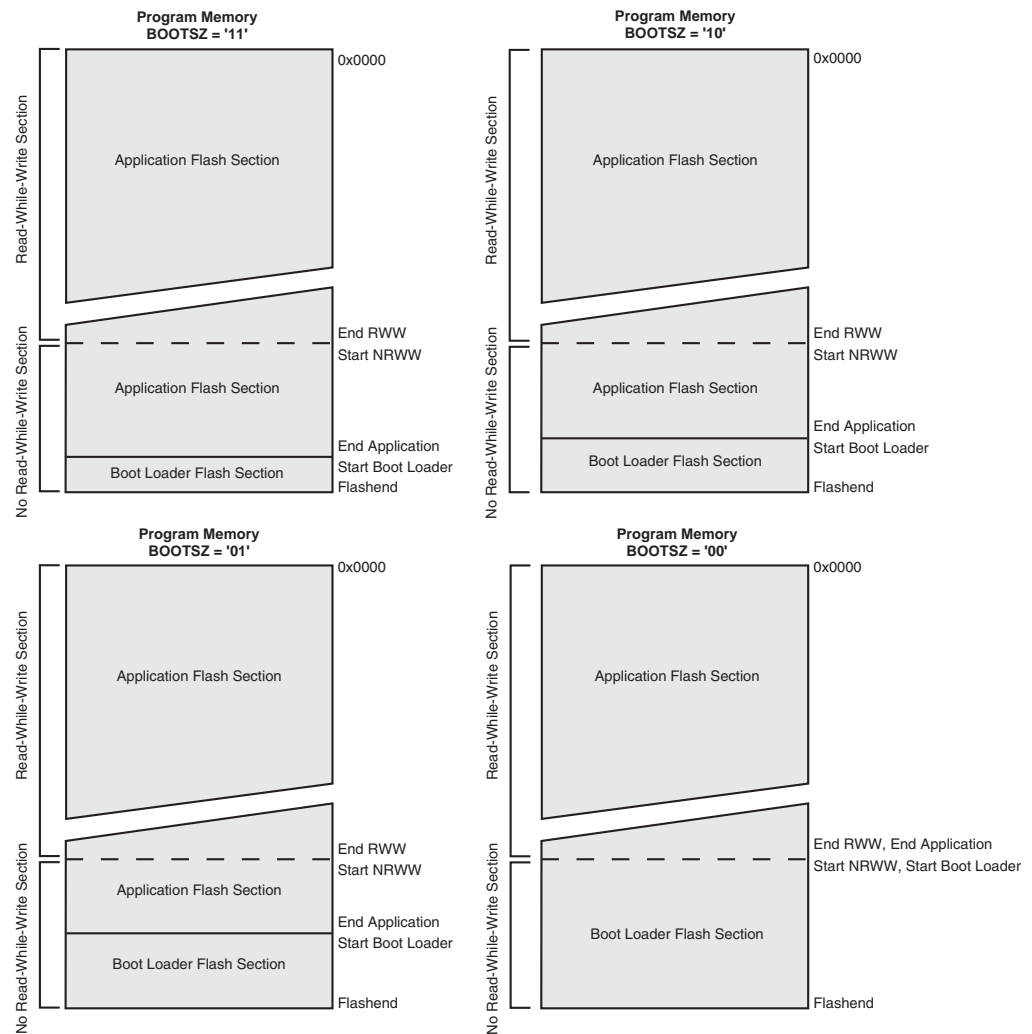
**Table 24-1.** Read-While-Write Features

Which Section does the Z-pointer Address During the Programming?	Which Section Can be Read During Programming?	Is the CPU Halted?	Read-While-Write Supported?
RWW Section	NRWW Section	No	Yes
NRWW Section	None	Yes	No

Figure 24-1. Read-While-Write vs. No Read-While-Write



**Figure 24-2. Memory Sections**



Note: 1. The parameters in the figure above are given in [Table 24-6 on page 279](#).

## 24.4 Boot Loader Lock Bits

If no Boot Loader capability is needed, the entire Flash is available for application code. The Boot Loader has two separate sets of Boot Lock bits which can be set independently. This gives the user a unique flexibility to select different levels of protection.

The user can select:

- To protect the entire Flash from a software update by the MCU.
- To protect only the Boot Loader Flash section from a software update by the MCU.
- To protect only the Application Flash section from a software update by the MCU.
- Allow software update in the entire Flash.

See [Table 24-2](#) and [Table 24-3](#) for further details. The Boot Lock bits can be set in software and in Serial or Parallel Programming mode, but they can be cleared by a Chip Erase command only. The general Write Lock (Lock Bit mode 2) does not control the programming of the Flash memory by SPM instruction. Similarly, the general Read/Write Lock (Lock Bit mode 1) does not control reading nor writing by LPM/SPM, if it is attempted.

**Table 24-2.** Boot Lock Bit0 Protection Modes (Application Section)<sup>(1)</sup>

BLB0 Mode	BLB02	BLB01	Protection
1	1	1	No restrictions for SPM or LPM accessing the Application section.
2	1	0	SPM is not allowed to write to the Application section.
3	0	0	SPM is not allowed to write to the Application section, and LPM executing from the Boot Loader section is not allowed to read from the Application section. If Interrupt Vectors are placed in the Boot Loader section, interrupts are disabled while executing from the Application section.
4	0	1	LPM executing from the Boot Loader section is not allowed to read from the Application section. If Interrupt Vectors are placed in the Boot Loader section, interrupts are disabled while executing from the Application section.

Note: 1. "1" means unprogrammed, "0" means programmed

**Table 24-3.** Boot Lock Bit1 Protection Modes (Boot Loader Section)<sup>(1)</sup>

BLB1 Mode	BLB12	BLB11	Protection
1	1	1	No restrictions for SPM or LPM accessing the Boot Loader section.
2	1	0	SPM is not allowed to write to the Boot Loader section.
3	0	0	SPM is not allowed to write to the Boot Loader section, and LPM executing from the Application section is not allowed to read from the Boot Loader section. If Interrupt Vectors are placed in the Application section, interrupts are disabled while executing from the Boot Loader section.
4	0	1	LPM executing from the Application section is not allowed to read from the Boot Loader section. If Interrupt Vectors are placed in the Application section, interrupts are disabled while executing from the Boot Loader section.

Note: 1. "1" means unprogrammed, "0" means programmed

## 24.5 Entering the Boot Loader Program

Entering the Boot Loader takes place by a jump or call from the application program. This may be initiated by a trigger such as a command received via USART, or SPI interface. Alternatively, the Boot Reset Fuse can be programmed so that the Reset Vector is pointing to the Boot Flash start address after a reset. In this case, the Boot Loader is started after a reset. After the application code is loaded, the program can start executing the application code. Note that the fuses cannot be changed by the MCU itself. This means that once the Boot Reset Fuse is programmed, the Reset Vector will always point to the Boot Loader Reset and the fuse can only be changed through the serial or parallel programming interface.

**Table 24-4.** Boot Reset Fuse<sup>(1)</sup>

BOORST	Reset Address
1	Reset Vector = Application Reset (address 0x0000)
0	Reset Vector = Boot Loader Reset (see <a href="#">Table 24-6 on page 279</a> )

Note: 1. “1” means unprogrammed, “0” means programmed

### 24.5.1 Store Program Memory Control and Status Register – SPMCSR

The Store Program Memory Control and Status Register contains the control bits needed to control the Boot Loader operations.

Bit	7	6	5	4	3	2	1	0	
	SPMIE	RWWSB	–	RWWSRE	BLBSET	PGWRT	PGERS	SPMEN	SPMCSR
Read/Write	R/W	R	R	R/W	R/W	R/W	R/W	R/W	
Initial Value	0	0	0	0	0	0	0	0	

- **Bit 7 – SPMIE: SPM Interrupt Enable**

When the SPMIE bit is written to one, and the I-bit in the Status Register is set (one), the SPM ready interrupt will be enabled. The SPM ready Interrupt will be executed as long as the SPMEN bit in the SPMCSR Register is cleared.

- **Bit 6 – RWWSB: Read-While-Write Section Busy**

When a Self-Programming (Page Erase or Page Write) operation to the RWW section is initiated, the RWWSB will be set (one) by hardware. When the RWWSB bit is set, the RWW section cannot be accessed. The RWWSB bit will be cleared if the RWWSRE bit is written to one after a Self-Programming operation is completed. Alternatively the RWWSB bit will automatically be cleared if a page load operation is initiated.

- **Bit 5 – Res: Reserved Bit**

This bit is a reserved bit in the AT90PWM216/316 and always read as zero.

- **Bit 4 – RWWSRE: Read-While-Write Section Read Enable**

When programming (Page Erase or Page Write) to the RWW section, the RWW section is blocked for reading (the RWWSB will be set by hardware). To re-enable the RWW section, the user software must wait until the programming is completed (SPMEN will be cleared). Then, if the RWWSRE bit is written to one at the same time as SPMEN, the next SPM instruction within four clock cycles re-enables the RWW section. The RWW section cannot be re-enabled while the Flash is busy with a Page Erase or a Page Write (SPMEN is set). If the RWWSRE bit is written while the Flash is being loaded, the Flash load operation will abort and the data loaded will be lost.

- **Bit 3 – BLBSET: Boot Lock Bit Set**

If this bit is written to one at the same time as SPMEN, the next SPM instruction within four clock cycles sets Boot Lock bits and Memory Lock bits, according to the data in R0. The data in R1 and the address in the Z-pointer are ignored. The BLBSET bit will automatically be cleared upon completion of the Lock bit set, or if no SPM instruction is executed within four clock cycles.

An LPM instruction within three cycles after BLBSET and SPMEN are set in the SPMCSR Register, will read either the Lock bits or the Fuse bits (depending on Z0 in the Z-pointer) into the destination register. See [“Reading the Fuse and Lock Bits from Software” on page 276](#) for details.

- **Bit 2 – PGWRT: Page Write**

If this bit is written to one at the same time as SPMEN, the next SPM instruction within four clock cycles executes Page Write, with the data stored in the temporary buffer. The page address is taken from the high part of the Z-pointer. The data in R1 and R0 are ignored. The PGWRT bit



will auto-clear upon completion of a Page Write, or if no SPM instruction is executed within four clock cycles. The CPU is halted during the entire Page Write operation if the NRWW section is addressed.

- **Bit 1 – PGERS: Page Erase**

If this bit is written to one at the same time as SP MEN, the next SPM instruction within four clock cycles executes Page Erase. The page address is taken from the high part of the Z-pointer. The data in R1 and R0 are ignored. The PGERS bit will auto-clear upon completion of a Page Erase, or if no SPM instruction is executed within four clock cycles. The CPU is halted during the entire Page Write operation if the NRWW section is addressed.

- **Bit 0 – SP MEN: Self Programming Enable**

This bit enables the SPM instruction for the next four clock cycles. If written to one together with either RWWSRE, BLBSET, PGWRT or PGERS, the following SPM instruction will have a special meaning, see description above. If only SP MEN is written, the following SPM instruction will store the value in R1:R0 in the temporary page buffer addressed by the Z-pointer. The LSB of the Z-pointer is ignored. The SP MEN bit will auto-clear upon completion of an SPM instruction, or if no SPM instruction is executed within four clock cycles. During Page Erase and Page Write, the SP MEN bit remains high until the operation is completed.

Writing any other combination than “10001”, “01001”, “00101”, “00011” or “00001” in the lower five bits will have no effect.

## 24.6 Addressing the Flash During Self-Programming

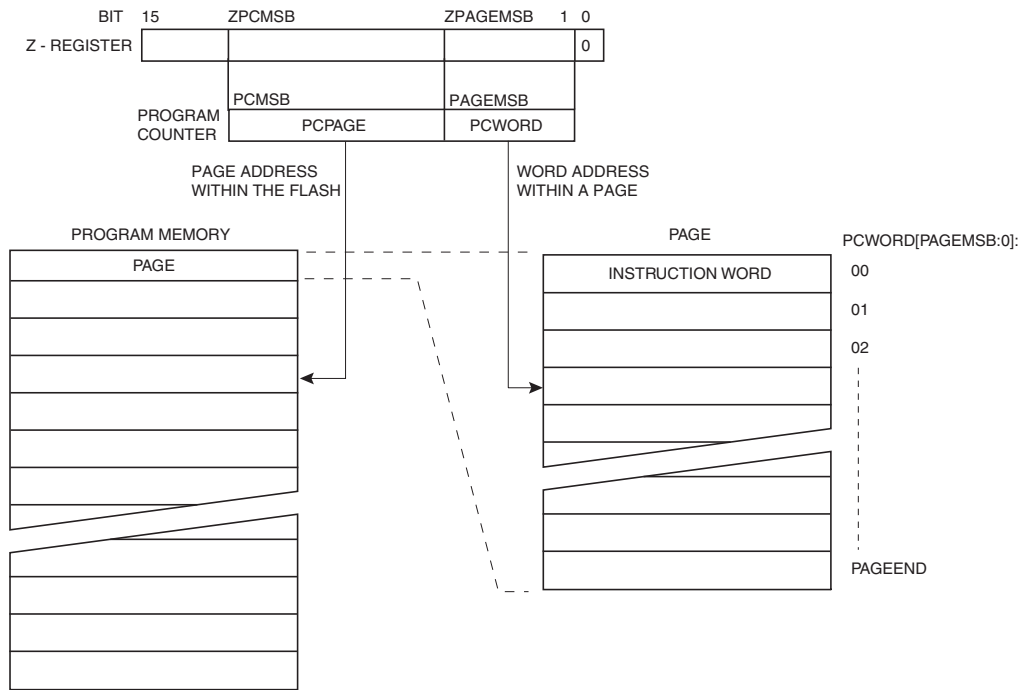
The Z-pointer is used to address the SPM commands.

Bit	15	14	13	12	11	10	9	8
ZH (R31)	Z15	Z14	Z13	Z12	Z11	Z10	Z9	Z8
ZL (R30)	Z7	Z6	Z5	Z4	Z3	Z2	Z1	Z0
	7	6	5	4	3	2	1	0

Since the Flash is organized in pages (see [Table 25-11 on page 287](#)), the Program Counter can be treated as having two different sections. One section, consisting of the least significant bits, is addressing the words within a page, while the most significant bits are addressing the pages. This is shown in [Figure 24-3](#). Note that the Page Erase and Page Write operations are addressed independently. Therefore it is of major importance that the Boot Loader software addresses the same page in both the Page Erase and Page Write operation. Once a programming operation is initiated, the address is latched and the Z-pointer can be used for other operations.

The only SPM operation that does not use the Z-pointer is Setting the Boot Loader Lock bits. The content of the Z-pointer is ignored and will have no effect on the operation. The LPM instruction does also use the Z-pointer to store the address. Since this instruction addresses the Flash byte-by-byte, also the LSB (bit Z0) of the Z-pointer is used.

**Figure 24-3.** Addressing the Flash During SPM<sup>(1)</sup>



Note: 1. The different variables used in [Figure 24-3](#) are listed in [Table 24-8](#) on page 280.

## 24.7 Self-Programming the Flash

The program memory is updated in a page by page fashion. Before programming a page with the data stored in the temporary page buffer, the page must be erased. The temporary page buffer is filled one word at a time using SPM and the buffer can be filled either before the Page Erase command or between a Page Erase and a Page Write operation:

Alternative 1, fill the buffer before a Page Erase

- Fill temporary page buffer
- Perform a Page Erase
- Perform a Page Write

Alternative 2, fill the buffer after Page Erase

- Perform a Page Erase
- Fill temporary page buffer
- Perform a Page Write

If only a part of the page needs to be changed, the rest of the page must be stored (for example in the temporary page buffer) before the erase, and then be rewritten. When using alternative 1, the Boot Loader provides an effective Read-Modify-Write feature which allows the user software to first read the page, do the necessary changes, and then write back the modified data. If alternative 2 is used, it is not possible to read the old data while loading since the page is already erased. The temporary page buffer can be accessed in a random sequence. It is essential that the page address used in both the Page Erase and Page Write operation is addressing the same page. See [“Simple Assembly Code Example for a Boot Loader”](#) on page 277 for an assembly code example.

**24.7.1 Performing Page Erase by SPM**

To execute Page Erase, set up the address in the Z-pointer, write “X0000011” to SPMCSR and execute SPM within four clock cycles after writing SPMCSR. The data in R1 and R0 is ignored. The page address must be written to PCPAGE in the Z-register. Other bits in the Z-pointer will be ignored during this operation.

- Page Erase to the RWW section: The NRWW section can be read during the Page Erase.
- Page Erase to the NRWW section: The CPU is halted during the operation.

**24.7.2 Filling the Temporary Buffer (Page Loading)**

To write an instruction word, set up the address in the Z-pointer and data in R1:R0, write “00000001” to SPMCSR and execute SPM within four clock cycles after writing SPMCSR. The content of PCWORD in the Z-register is used to address the data in the temporary buffer. The temporary buffer will auto-erase after a Page Write operation or by writing the RWWSRE bit in SPMCSR. It is also erased after a system reset. Note that it is not possible to write more than one time to each address without erasing the temporary buffer.

If the EEPROM is written in the middle of an SPM Page Load operation, all data loaded will be lost.

**24.7.3 Performing a Page Write**

To execute Page Write, set up the address in the Z-pointer, write “X0000101” to SPMCSR and execute SPM within four clock cycles after writing SPMCSR. The data in R1 and R0 is ignored. The page address must be written to PCPAGE. Other bits in the Z-pointer must be written to zero during this operation.

- Page Write to the RWW section: The NRWW section can be read during the Page Write.
- Page Write to the NRWW section: The CPU is halted during the operation.

**24.7.4 Using the SPM Interrupt**

If the SPM interrupt is enabled, the SPM interrupt will generate a constant interrupt when the SPMEN bit in SPMCSR is cleared. This means that the interrupt can be used instead of polling the SPMCSR Register in software. When using the SPM interrupt, the Interrupt Vectors should be moved to the BLS section to avoid that an interrupt is accessing the RWW section when it is blocked for reading. How to move the interrupts is described in XXXXXXXX.

**24.7.5 Consideration While Updating BLS**

Special care must be taken if the user allows the Boot Loader section to be updated by leaving Boot Lock bit11 unprogrammed. An accidental write to the Boot Loader itself can corrupt the entire Boot Loader, and further software updates might be impossible. If it is not necessary to change the Boot Loader software itself, it is recommended to program the Boot Lock bit11 to protect the Boot Loader software from any internal software changes.

**24.7.6 Prevent Reading the RWW Section During Self-Programming**

During Self-Programming (either Page Erase or Page Write), the RWW section is always blocked for reading. The user software itself must prevent that this section is addressed during the self programming operation. The RWWSB in the SPMCSR will be set as long as the RWW section is busy. During Self-Programming the Interrupt Vector table should be moved to the BLS as described in XXXXXXXX, or the interrupts must be disabled. Before addressing the RWW section after the programming is completed, the user software must clear the RWWSB by writing

the RWWSRE. See [“Simple Assembly Code Example for a Boot Loader” on page 277](#) for an example.

### 24.7.7 Setting the Boot Loader Lock Bits by SPM

To set the Boot Loader Lock bits, write the desired data to R0, write “X0001001” to SPMCSR and execute SPM within four clock cycles after writing SPMCSR. The only accessible Lock bits are the Boot Lock bits that may prevent the Application and Boot Loader section from any software update by the MCU.

Bit	7	6	5	4	3	2	1	0
R0	1	1	BLB12	BLB11	BLB02	BLB01	1	1

See [Table 24-2](#) and [Table 24-3](#) for how the different settings of the Boot Loader bits affect the Flash access.

If bits 5..2 in R0 are cleared (zero), the corresponding Boot Lock bit will be programmed if an SPM instruction is executed within four cycles after BLBSET and SPMEN are set in SPMCSR. The Z-pointer is don't care during this operation, but for future compatibility it is recommended to load the Z-pointer with 0x0001 (same as used for reading the IO<sub>ck</sub> bits). For future compatibility it is also recommended to set bits 7, 6, 1, and 0 in R0 to “1” when writing the Lock bits. When programming the Lock bits the entire Flash can be read during the operation.

### 24.7.8 EEPROM Write Prevents Writing to SPMCSR

Note that an EEPROM write operation will block all software programming to Flash. Reading the Fuses and Lock bits from software will also be prevented during the EEPROM write operation. It is recommended that the user checks the status bit (EEPE) in the EECR Register and verifies that the bit is cleared before writing to the SPMCSR Register.

### 24.7.9 Reading the Fuse and Lock Bits from Software

It is possible to read both the Fuse and Lock bits from software. To read the Lock bits, load the Z-pointer with 0x0001 and set the BLBSET and SPMEN bits in SPMCSR. When an LPM instruction is executed within three CPU cycles after the BLBSET and SPMEN bits are set in SPMCSR, the value of the Lock bits will be loaded in the destination register. The BLBSET and SPMEN bits will auto-clear upon completion of reading the Lock bits or if no LPM instruction is executed within three CPU cycles or no SPM instruction is executed within four CPU cycles. When BLBSET and SPMEN are cleared, LPM will work as described in the Instruction set Manual.

Bit	7	6	5	4	3	2	1	0
Rd	-	-	BLB12	BLB11	BLB02	BLB01	LB2	LB1

The algorithm for reading the Fuse Low byte is similar to the one described above for reading the Lock bits. To read the Fuse Low byte, load the Z-pointer with 0x0000 and set the BLBSET and SPMEN bits in SPMCSR. When an LPM instruction is executed within three cycles after the BLBSET and SPMEN bits are set in the SPMCSR, the value of the Fuse Low byte (FLB) will be loaded in the destination register as shown below. Refer to [Table 25-4 on page 282](#) for a detailed description and mapping of the Fuse Low byte.

Bit	7	6	5	4	3	2	1	0
Rd	FLB7	FLB6	FLB5	FLB4	FLB3	FLB2	FLB1	FLB0

Similarly, when reading the Fuse High byte, load 0x0003 in the Z-pointer. When an LPM instruction is executed within three cycles after the BLBSET and SPMEN bits are set in the SPMCSR,

the value of the Fuse High byte (FHB) will be loaded in the destination register as shown below. Refer to [Table 25-5 on page 284](#) for detailed description and mapping of the Fuse High byte.

Bit	7	6	5	4	3	2	1	0
Rd	FHB7	FHB6	FHB5	FHB4	FHB3	FHB2	FHB1	FHB0

When reading the Extended Fuse byte, load 0x0002 in the Z-pointer. When an LPM instruction is executed within three cycles after the BLBSET and SPMEN bits are set in the SPMCSR, the value of the Extended Fuse byte (EFB) will be loaded in the destination register as shown below. Refer to [Table 25-4 on page 282](#) for detailed description and mapping of the Extended Fuse byte.

Bit	7	6	5	4	3	2	1	0
Rd	-	-	-	-	EFB3	EFB2	EFB1	EFB0

Fuse and Lock bits that are programmed, will be read as zero. Fuse and Lock bits that are unprogrammed, will be read as one.

### 24.7.10 Preventing Flash Corruption

During periods of low  $V_{CC}$ , the Flash program can be corrupted because the supply voltage is too low for the CPU and the Flash to operate properly. These issues are the same as for board level systems using the Flash, and the same design solutions should be applied.

A Flash program corruption can be caused by two situations when the voltage is too low. First, a regular write sequence to the Flash requires a minimum voltage to operate correctly. Secondly, the CPU itself can execute instructions incorrectly, if the supply voltage for executing instructions is too low.

Flash corruption can easily be avoided by following these design recommendations (one is sufficient):

1. If there is no need for a Boot Loader update in the system, program the Boot Loader Lock bits to prevent any Boot Loader software updates.
2. Keep the AVR RESET active (low) during periods of insufficient power supply voltage. This can be done by enabling the internal Brown-out Detector (BOD) if the operating voltage matches the detection level. If not, an external low  $V_{CC}$  reset protection circuit can be used. If a reset occurs while a write operation is in progress, the write operation will be completed provided that the power supply voltage is sufficient.
3. Keep the AVR core in Power-down sleep mode during periods of low  $V_{CC}$ . This will prevent the CPU from attempting to decode and execute instructions, effectively protecting the SPMCSR Register and thus the Flash from unintentional writes.

### 24.7.11 Programming Time for Flash when Using SPM

The calibrated RC Oscillator is used to time Flash accesses. [Table 24-5](#) shows the typical programming time for Flash accesses from the CPU.

**Table 24-5.** SPM Programming Time

Symbol	Min Programming Time	Max Programming Time
Flash write (Page Erase, Page Write, and write Lock bits by SPM)	3.7 ms	4.5 ms

### 24.7.12 Simple Assembly Code Example for a Boot Loader

```
;-the routine writes one page of data from RAM to Flash
; the first data location in RAM is pointed to by the Y pointer
```

```

; the first data location in Flash is pointed to by the Z-pointer
;-error handling is not included
;-the routine must be placed inside the Boot space
; (at least the Do_spm sub routine). Only code inside NRWW section can
; be read during Self-Programming (Page Erase and Page Write).
;-registers used: r0, r1, temp1 (r16), temp2 (r17), looplo (r24),
; loophi (r25), spmcrcval (r20)
; storing and restoring of registers is not included in the routine
; register usage can be optimized at the expense of code size
;-It is assumed that either the interrupt table is moved to the Boot
; loader section or that the interrupts are disabled.
.equ PAGESIZEB = PAGESIZE*2 ;PAGESIZEB is page size in BYTES, not words
.org SMALLBOOTSTART
Write_page:
; Page Erase
ldi spmcrcval, (1<<PGERS) | (1<<SPMEN)
call Do_spm

; re-enable the RWW section
ldi spmcrcval, (1<<RWWSRE) | (1<<SPMEN)
call Do_spm

; transfer data from RAM to Flash page buffer
ldi looplo, low(PAGESIZEB) ;init loop variable
ldi loophi, high(PAGESIZEB) ;not required for PAGESIZEB<=256
Wrloop:
ld r0, Y+
ld r1, Y+
ldi spmcrcval, (1<<SPMEN)
call Do_spm
adiw ZH:ZL, 2
sbiw loophi:looplo, 2 ;use subi for PAGESIZEB<=256
brne Wrloop

; execute Page Write
subi ZL, low(PAGESIZEB) ;restore pointer
sbci ZH, high(PAGESIZEB) ;not required for PAGESIZEB<=256
ldi spmcrcval, (1<<PGWRT) | (1<<SPMEN)
call Do_spm

; re-enable the RWW section
ldi spmcrcval, (1<<RWWSRE) | (1<<SPMEN)
call Do_spm

; read back and check, optional
ldi looplo, low(PAGESIZEB) ;init loop variable
ldi loophi, high(PAGESIZEB) ;not required for PAGESIZEB<=256
subi YL, low(PAGESIZEB) ;restore pointer
sbci YH, high(PAGESIZEB)
Rdloop:
lpm r0, Z+
ld r1, Y+
cpse r0, r1
jmp Error
sbiw loophi:looplo, 1 ;use subi for PAGESIZEB<=256
brne Rdloop

; return to RWW section
; verify that RWW section is safe to read

```

```

Return:
    in    temp1, SPICSR
    sbrs temp1, RWWSB    ; If RWWSB is set, the RWW section is not ready yet
    ret
    ; re-enable the RWW section
    ldi  spmcrval, (1<<RWWSRE) | (1<<SPMEN)
    call Do_spm
    rjmp Return

Do_spm:
    ; check for previous SPM complete
Wait_spm:
    in    temp1, SPICSR
    sbrc temp1, SPMEN
    rjmp Wait_spm
    ; input: spmcrval determines SPM action
    ; disable interrupts if enabled, store status
    in    temp2, SREG
    cli
    ; check that no EEPROM write access is present
Wait_ee:
    sbic EECR, EEPE
    rjmp Wait_ee
    ; SPM timed sequence
    out  SPICSR, spmcrval
    spm
    ; restore SREG (to enable interrupts if originally enabled)
    out  SREG, temp2
    ret
    
```

### 24.7.13 Boot Loader Parameters

In [Table 24-6](#) through [Table 24-8](#), the parameters used in the description of the self programming are given.

**Table 24-6.** Boot Size Configuration

BOOTSZ1	BOOTSZ0	Boot Size	Pages	Application Flash Section	Boot Loader Flash Section	End Application Section	Boot Reset Address (Start Boot Loader Section)
1	1	256 words	4	0x0000 - 0x1EFF	0x1F00 - 0x1FFF	0x1EFF	0x1F00
1	0	512 words	8	0x0000 - 0x1DFF	0x1E00 - 0x1FFF	0x1DFF	0x1E00
0	1	1024 words	16	0x0000 - 0x1BFF	0x1C00 - 0x1FFF	0x1BFF	0x1C00
0	0	2048 words	32	0x0000 - 0x17FF	0x1800 - 0x1FFF	0x17FF	0x1800

Note: The different BOOTSZ Fuse configurations are shown in [Figure 24-2](#).

**Table 24-7.** Read-While-Write Limit

Section	Pages	Address
Read-While-Write section (RWW)	96	0x0000 - 0x17FF
No Read-While-Write section (NRWW)	32	0x1800 - 0x1FFF



For details about these two section, see [“NRWW – No Read-While-Write Section”](#) on page 268 and [“RWW – Read-While-Write Section”](#) on page 268

**Table 24-8.** Explanation of Different Variables used in [Figure 24-3](#) and the Mapping to the Z-pointer

Variable		Corresponding Z-value <sup>(1)</sup>	Description
PCMSB	12		Most significant bit in the Program Counter. (The Program Counter is 12 bits PC[11:0])
PAGEMSB	5		Most significant bit which is used to address the words within one page (32 words in a page requires 5 bits PC [4:0]).
ZPCMSB		Z13	Bit in Z-register that is mapped to PCMSB. Because Z0 is not used, the ZPCMSB equals PCMSB + 1.
ZPAGEMSB		Z6	Bit in Z-register that is mapped to PAGEMSB. Because Z0 is not used, the ZPAGEMSB equals PAGEMSB + 1.
PCPAGE	PC[12:6]	Z13:Z7	Program counter page address: Page select, for page erase and page write
PCWORD	PC[5:0]	Z6:Z1	Program counter word address: Word select, for filling temporary buffer (must be zero during page write operation)

Note: 1. Z15:Z14: always ignored  
 Z0: should be zero for all SPM commands, byte select for the LPM instruction.  
 See [“Addressing the Flash During Self-Programming”](#) on page 273 for details about the use of Z-pointer during Self-Programming.

## 25. Memory Programming

### 25.1 Program And Data Memory Lock Bits

The AT90PWM216/316 provides six Lock bits which can be left unprogrammed (“1”) or can be programmed (“0”) to obtain the additional features listed in [Table 25-2](#). The Lock bits can only be erased to “1” with the Chip Erase command.

**Table 25-1.** Lock Bit Byte<sup>(1)</sup>

Lock Bit Byte	Bit No	Description	Default Value
	7	–	1 (unprogrammed)
	6	–	1 (unprogrammed)
BLB12	5	Boot Lock bit	1 (unprogrammed)
BLB11	4	Boot Lock bit	1 (unprogrammed)
BLB02	3	Boot Lock bit	1 (unprogrammed)
BLB01	2	Boot Lock bit	1 (unprogrammed)
LB2	1	Lock bit	1 (unprogrammed)
LB1	0	Lock bit	1 (unprogrammed)



Notes: 1. "1" means unprogrammed, "0" means programmed.

**Table 25-2.** Lock Bit Protection Modes<sup>(1)(2)</sup>

Memory Lock Bits			Protection Type
LB Mode	LB2	LB1	
1	1	1	No memory lock features enabled.
2	1	0	Further programming of the Flash and EEPROM is disabled in Parallel and Serial Programming mode. The Fuse bits are locked in both Serial and Parallel Programming mode. <sup>(1)</sup>
3	0	0	Further programming and verification of the Flash and EEPROM is disabled in Parallel and Serial Programming mode. The Boot Lock bits and Fuse bits are locked in both Serial and Parallel Programming mode. <sup>(1)</sup>

Notes: 1. Program the Fuse bits and Boot Lock bits before programming the LB1 and LB2.  
 2. "1" means unprogrammed, "0" means programmed

**Table 25-3.** Lock Bit Protection Modes<sup>(1)(2)</sup>.

BLB0 Mode	BLB02	BLB01	
1	1	1	No restrictions for SPM or LPM accessing the Application section.
2	1	0	SPM is not allowed to write to the Application section.
3	0	0	SPM is not allowed to write to the Application section, and LPM executing from the Boot Loader section is not allowed to read from the Application section. If Interrupt Vectors are placed in the Boot Loader section, interrupts are disabled while executing from the Application section.
4	0	1	LPM executing from the Boot Loader section is not allowed to read from the Application section. If Interrupt Vectors are placed in the Boot Loader section, interrupts are disabled while executing from the Application section.
BLB1 Mode	BLB12	BLB11	
1	1	1	No restrictions for SPM or LPM accessing the Boot Loader section.
2	1	0	SPM is not allowed to write to the Boot Loader section.
3	0	0	SPM is not allowed to write to the Boot Loader section, and LPM executing from the Application section is not allowed to read from the Boot Loader section. If Interrupt Vectors are placed in the Application section, interrupts are disabled while executing from the Boot Loader section.
4	0	1	LPM executing from the Application section is not allowed to read from the Boot Loader section. If Interrupt Vectors are placed in the Application section, interrupts are disabled while executing from the Boot Loader section.

- Notes: 1. Program the Fuse bits and Boot Lock bits before programming the LB1 and LB2.  
 2. "1" means unprogrammed, "0" means programmed

## 25.2 Fuse Bits

The AT90PWM216/316 has three Fuse bytes. [Table 25-4](#) - [Table 25-6](#) describe briefly the functionality of all the fuses and how they are mapped into the Fuse bytes. Note that the fuses are read as logical zero, "0", if they are programmed.

**Table 25-4.** Extended Fuse Byte

Extended Fuse Byte	Bit No	Description	Default Value
PSC2RB	7	PSC2 Reset Behaviour	1
PSC1RB	6	PSC1 Reset Behaviour	1
PSC0RB	5	PSC0 Reset Behaviour	1
PSCRV	4	PSCOUT Reset Value	1
–	3	–	1

**Table 25-4.** Extended Fuse Byte

Extended Fuse Byte	Bit No	Description	Default Value
BOOTSZ1	2	Select Boot Size (see Table 113 for details)	0 (programmed) <sup>(1)</sup>
BOOTSZ0	1	Select Boot Size (see Table 113 for details)	0 (programmed) <sup>(1)</sup>
BOOTRST	0	Select Reset Vector	1 (unprogrammed)

Note: 1. The default value of BOOTSZ1..0 results in maximum Boot Size. See [Table 25-7 on page 286](#) for details.

## 25.3 PSC Output Behaviour During Reset

For external component safety reason, the state of PSC outputs during Reset can be programmed by fuses PSCRV, PSC0RB, PSC1RB & PSC2RB.

These fuses are located in the Extended Fuse Byte ( see [Table 25-4](#))

PSCRV gives the state low or high which will be forced on PSC outputs selected by PSC0RB, PSC1RB & PSC2RB fuses.

If PSCRV fuse equals 0 (programmed), the selected PSC outputs will be forced to low state. If PSCRV fuse equals 1 (unprogrammed), the selected PSC outputs will be forced to high state.

If PSC0RB fuse equals 1 (unprogrammed), PSCOUT00 & PSCOUT01 keep a standard port behaviour. If PSC0RB fuse equals 0 (programmed), PSCOUT00 & PSCOUT01 are forced at reset to low level or high level according to PSCRV fuse bit. In this second case, PSCOUT00 & PSCOUT01 keep the forced state until PSOC0 register is written..

If PSC1RB fuse equals 1 (unprogrammed), PSCOUT10 & PSCOUT11 keep a standard port behaviour. If PSC1RB fuse equals 0 (programmed), PSCOUT10 & PSCOUT11 are forced at reset to low level or high level according to PSCRV fuse bit. In this second case, PSCOUT10 & PSCOUT11 keep the forced state until PSOC1 register is written.

If PSC2RB fuse equals 1 (unprogrammed), PSCOUT20, PSCOUT21, PSCOUT22 & PSCOUT23 keep a standard port behaviour. If PSC1RB fuse equals 0 (programmed), PSCOUT20, PSCOUT21, PSCOUT22 & PSCOUT23 are forced at reset to low level or high level according to PSCRV fuse bit. In this second case, PSCOUT20, PSCOUT21, PSCOUT22 & PSCOUT23 keep the forced state until PSOC2 register is written.

**Table 25-5. Fuse High Byte**

High Fuse Byte	Bit No	Description	Default Value
RSTDISBL <sup>(1)</sup>	7	External Reset Disable	1 (unprogrammed)
DWEN	6	debugWIRE Enable	1 (unprogrammed)
SPIEN <sup>(2)</sup>	5	Enable Serial Program and Data Downloading	0 (programmed, SPI programming enabled)
WDTON <sup>(3)</sup>	4	Watchdog Timer Always On	1 (unprogrammed)
EESAVE	3	EEPROM memory is preserved through the Chip Erase	1 (unprogrammed), EEPROM not reserved
BODLEVEL2 <sup>(4)</sup>	2	Brown-out Detector trigger level	1 (unprogrammed)
BODLEVEL1 <sup>(4)</sup>	1	Brown-out Detector trigger level	1 (unprogrammed)
BODLEVEL0 <sup>(4)</sup>	0	Brown-out Detector trigger level	1 (unprogrammed)

- Notes:
1. See [“Alternate Functions of Port C” on page 70](#) for description of RSTDISBL Fuse.
  2. The SPIEN Fuse is not accessible in serial programming mode.
  3. See [“Watchdog Timer Configuration” on page 53](#) for details.
  4. See [Table 9-2 on page 47](#) for BODLEVEL Fuse decoding.

**Table 25-6. Fuse Low Byte**

Low Fuse Byte	Bit No	Description	Default Value
CKDIV8 <sup>(4)</sup>	7	Divide clock by 8	0 (programmed)
CKOUT <sup>(3)</sup>	6	Clock output	1 (unprogrammed)
SUT1	5	Select start-up time	1 (unprogrammed) <sup>(1)</sup>
SUT0	4	Select start-up time	0 (programmed) <sup>(1)</sup>
CKSEL3	3	Select Clock source	0 (programmed) <sup>(2)</sup>
CKSEL2	2	Select Clock source	0 (programmed) <sup>(2)</sup>
CKSEL1	1	Select Clock source	1 (unprogrammed) <sup>(2)</sup>
CKSEL0	0	Select Clock source	0 (programmed) <sup>(2)</sup>

- Note:
1. The default value of SUT1..0 results in maximum start-up time for the default clock source. See [Table 7-9 on page 36](#) for details.
  2. The default setting of CKSEL3..0 results in internal RC Oscillator @ 8 MHz. See [Table 7-9 on page 36](#) for details.
  3. The CKOUT Fuse allows the system clock to be output on PORTB0. See [“Clock Output Buffer” on page 36](#) for details.
  4. See [“System Clock Prescaler” on page 37](#) for details.

The status of the Fuse bits is not affected by Chip Erase. Note that the Fuse bits are locked if Lock bit1 (LB1) is programmed. Program the Fuse bits before programming the Lock bits.

### 25.3.1 Latching of Fuses

The fuse values are latched when the device enters programming mode and changes of the fuse values will have no effect until the part leaves Programming mode. This does not apply to

the EESAVE Fuse which will take effect once it is programmed. The fuses are also latched on Power-up in Normal mode.

## 25.4 Signature Bytes

All Atmel microcontrollers have a three-byte signature code which identifies the device. This code can be read in both serial and parallel mode, also when the device is locked. The three bytes reside in a separate address space.

### 25.4.1 Signature Bytes

For the **AT90PWM216/316** the signature bytes are:

1. 0x000: 0x1E (indicates manufactured by Atmel).
2. 0x001: 0x94 (indicates 16KB Flash memory).
3. 0x002: 0x83 (indicates AT90PWM216/316 device when 0x001 is 0x94).

## 25.5 Calibration Byte

The AT90PWM216/316 has a byte calibration value for the internal RC Oscillator. This byte resides in the high byte of address 0x000 in the signature address space. During reset, this byte is automatically written into the OSCCAL Register to ensure correct frequency of the calibrated RC Oscillator.

## 25.6 Parallel Programming Parameters, Pin Mapping, and Commands

This section describes how to parallel program and verify Flash Program memory, EEPROM Data memory, Memory Lock bits, and Fuse bits in the AT90PWM216/316. Pulses are assumed to be at least 250 ns unless otherwise noted.

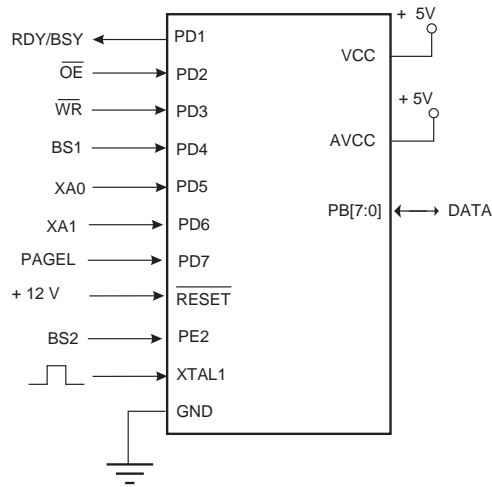
### 25.6.1 Signal Names

In this section, some pins of the AT90PWM216/316 are referenced by signal names describing their functionality during parallel programming, see [Figure 25-1](#) and [Table 25-7](#). Pins not described in the following table are referenced by pin names.

The XA1/XA0 pins determine the action executed when the XTAL1 pin is given a positive pulse. The bit coding is shown in [Table 25-9](#).

When pulsing  $\overline{WR}$  or  $\overline{OE}$ , the command loaded determines the action executed. The different Commands are shown in [Table 25-10](#).

**Figure 25-1.** Parallel Programming



**Table 25-7.** Pin Name Mapping

Signal Name in Programming Mode	Pin Name	I/O	Function
RDY/ $\overline{\text{BSY}}$	PD1	O	0: Device is busy programming, 1: Device is ready for new command
$\overline{\text{OE}}$	PD2	I	Output Enable (Active low)
$\overline{\text{WR}}$	PD3	I	Write Pulse (Active low)
BS1	PD4	I	Byte Select 1 ("0" selects Low byte, "1" selects High byte)
XA0	PD5	I	XTAL Action Bit 0
XA1	PD6	I	XTAL Action Bit 1
PAGEL	PD7	I	Program memory and EEPROM Data Page Load
BS2	PE2	I	Byte Select 2 ("0" selects Low byte, "1" selects 2'nd High byte)
DATA	PB[7:0]	I/O	Bi-directional Data bus (Output when $\overline{\text{OE}}$ is low)

**Table 25-8.** Pin Values Used to Enter Programming Mode

Pin	Symbol	Value
PAGEL	Prog_enable[3]	0
XA1	Prog_enable[2]	0
XA0	Prog_enable[1]	0
BS1	Prog_enable[0]	0

**Table 25-9.** XA1 and XA0 Coding

XA1	XA0	Action when XTAL1 is Pulsed
0	0	Load Flash or EEPROM Address (High or low address byte determined by BS1).
0	1	Load Data (High or Low data byte for Flash determined by BS1).
1	0	Load Command
1	1	No Action, Idle

**Table 25-10.** Command Byte Bit Coding

Command Byte	Command Executed
1000 0000	Chip Erase
0100 0000	Write Fuse bits
0010 0000	Write Lock bits
0001 0000	Write Flash
0001 0001	Write EEPROM
0000 1000	Read Signature Bytes and Calibration byte
0000 0100	Read Fuse and Lock bits
0000 0010	Read Flash
0000 0011	Read EEPROM

**Table 25-11.** No. of Words in a Page and No. of Pages in the Flash

Device	Flash Size	Page Size	PCWORD	No. of Pages	PCPAGE	PCMSB
AT90PWM216/316	8K words (16K bytes)	64 words	PC[5:0]	128	PC[12:6]	12

**Table 25-12.** No. of Words in a Page and No. of Pages in the EEPROM

Device	EEPROM Size	Page Size	PCWORD	No. of Pages	PCPAGE	EEAMSB
AT90PWM216/316	512 bytes	4 bytes	EEA[1:0]	128	EEA[8:2]	8

## 25.7 Serial Programming Pin Mapping

**Table 25-13.** Pin Mapping Serial Programming

Symbol	Pins	I/O	Description
MOSI_A	PD3	I	Serial Data in
MISO_A	PD2	O	Serial Data out
SCK_A	PD4	I	Serial Clock

## 25.8 Parallel Programming

### 25.8.1 Enter Programming Mode

The following algorithm puts the device in Parallel (High-voltage) > Programming mode:

1. Set Prog\_enable pins listed in Table 25-8. to “0000”, RESET pin to “0” and Vcc to 0V.
2. Apply 4.5 - 5.5V between VCC and GND. Ensure that Vcc reaches at least 1.8V within the next 20μs.
3. Wait 20 - 60μs, and apply 11.5 - 12.5V to RESET.
4. Keep the Prog\_enable pins unchanged for at least 10μs after the High-voltage has been applied to ensure the Prog\_enable Signature has been latched.
5. Wait at least 300μs before giving any parallel programming commands.
6. Exit Programming mode by power the device down or by bringing RESET pin to 0V.

If the rise time of the Vcc is unable to fulfill the requirements listed above, the following alternative algorithm can be used.

1. Set Prog\_enable pins listed in Table 25-8. to “0000”, RESET pin to “0” and Vcc to 0V.
2. Apply 4.5 - 5.5V between VCC and GND.
3. Monitor Vcc, and as soon as Vcc reaches 0.9 - 1.1V, apply 11.5 - 12.5V to RESET.
4. Keep the Prog\_enable pins unchanged for at least 10μs after the High-voltage has been applied to ensure the Prog\_enable Signature has been latched.
5. Wait until Vcc actually reaches 4.5 -5.5V before giving any parallel programming commands.
6. Exit Programming mode by power the device down or by bringing RESET pin to 0V.

### 25.8.2 Considerations for Efficient Programming

The loaded command and address are retained in the device during programming. For efficient programming, the following should be considered.

- The command needs only be loaded once when writing or reading multiple memory locations.
- Skip writing the data value 0xFF, that is the contents of the entire EEPROM (unless the EESAVE Fuse is programmed) and Flash after a Chip Erase.
- Address high byte needs only be loaded before programming or reading a new 256 word window in Flash or 256 byte EEPROM. This consideration also applies to Signature bytes reading.

### 25.8.3 Chip Erase

The Chip Erase will erase the Flash and EEPROM<sup>(1)</sup> memories plus Lock bits. The Lock bits are not reset until the program memory has been completely erased. The Fuse bits are not changed. A Chip Erase must be performed before the Flash and/or EEPROM are reprogrammed.

Note: 1. The EEPROM memory is preserved during Chip Erase if the EESAVE Fuse is programmed. Load Command “Chip Erase”

1. Set XA1, XA0 to “10”. This enables command loading.
2. Set BS1 to “0”.
3. Set DATA to “1000 0000”. This is the command for Chip Erase.
4. Give XTAL1 a positive pulse. This loads the command.



5. Give  $\overline{WR}$  a negative pulse. This starts the Chip Erase.  $RDY/\overline{BSY}$  goes low.
6. Wait until  $RDY/\overline{BSY}$  goes high before loading a new command.

#### 25.8.4 Programming the Flash

The Flash is organized in pages, see [Table 25-11 on page 287](#). When programming the Flash, the program data is latched into a page buffer. This allows one page of program data to be programmed simultaneously. The following procedure describes how to program the entire Flash memory:

##### A. Load Command "Write Flash"

1. Set  $XA1, XA0$  to "10". This enables command loading.
2. Set  $BS1$  to "0".
3. Set  $DATA$  to "0001 0000". This is the command for Write Flash.
4. Give  $XTAL1$  a positive pulse. This loads the command.

##### B. Load Address Low byte

1. Set  $XA1, XA0$  to "00". This enables address loading.
2. Set  $BS1$  to "0". This selects low address.
3. Set  $DATA = \text{Address low byte (0x00 - 0xFF)}$ .
4. Give  $XTAL1$  a positive pulse. This loads the address low byte.

##### C. Load Data Low Byte

1. Set  $XA1, XA0$  to "01". This enables data loading.
2. Set  $DATA = \text{Data low byte (0x00 - 0xFF)}$ .
3. Give  $XTAL1$  a positive pulse. This loads the data byte.

##### D. Load Data High Byte

1. Set  $BS1$  to "1". This selects high data byte.
2. Set  $XA1, XA0$  to "01". This enables data loading.
3. Set  $DATA = \text{Data high byte (0x00 - 0xFF)}$ .
4. Give  $XTAL1$  a positive pulse. This loads the data byte.

##### E. Latch Data

1. Set  $BS1$  to "1". This selects high data byte.
2. Give  $PAGEL$  a positive pulse. This latches the data bytes. (See [Figure 25-3](#) for signal waveforms)

##### F. Repeat B through E until the entire buffer is filled or until all data within the page is loaded.

While the lower bits in the address are mapped to words within the page, the higher bits address the pages within the FLASH. This is illustrated in [Figure 25-2 on page 290](#). Note that if less than eight bits are required to address words in the page (pagesize < 256), the most significant bit(s) in the address low byte are used to address the page when performing a Page Write.

##### G. Load Address High byte

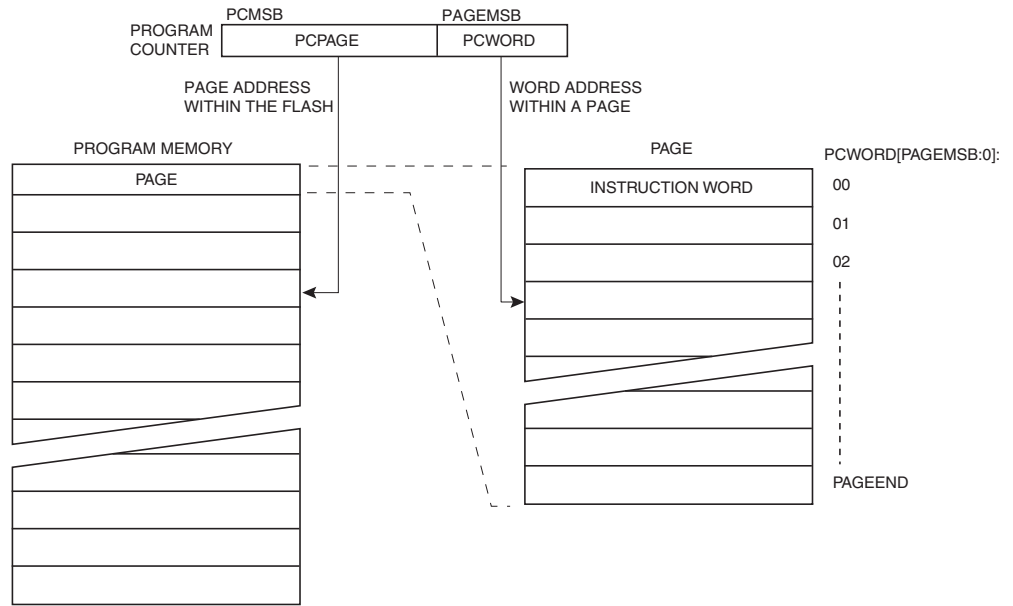
1. Set  $XA1, XA0$  to "00". This enables address loading.
2. Set  $BS1$  to "1". This selects high address.
3. Set  $DATA = \text{Address high byte (0x00 - 0xFF)}$ .
4. Give  $XTAL1$  a positive pulse. This loads the address high byte.

##### H. Program Page



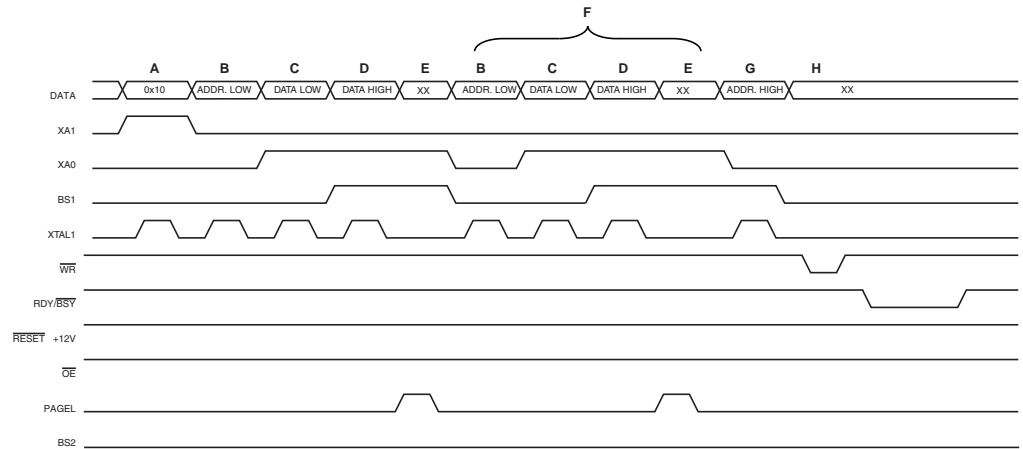
1. Give  $\overline{WR}$  a negative pulse. This starts programming of the entire page of data. RDY/BSY goes low.
  2. Wait until RDY/BSY goes high (See Figure 25-3 for signal waveforms).
- I. Repeat B through H until the entire Flash is programmed or until all data has been programmed.
- J. End Page Programming
1. Set XA1, XA0 to "10". This enables command loading.
  2. Set DATA to "0000 0000". This is the command for No Operation.
  3. Give XTAL1 a positive pulse. This loads the command, and the internal write signals are reset.

**Figure 25-2.** Addressing the Flash Which is Organized in Pages<sup>(1)</sup>



Note: 1. PCPAGE and PCWORD are listed in Table 25-11 on page 287.

**Figure 25-3.** Programming the Flash Waveforms<sup>(1)</sup>



Note: 1. "XX" is don't care. The letters refer to the programming description above.

## 25.8.5 Programming the EEPROM

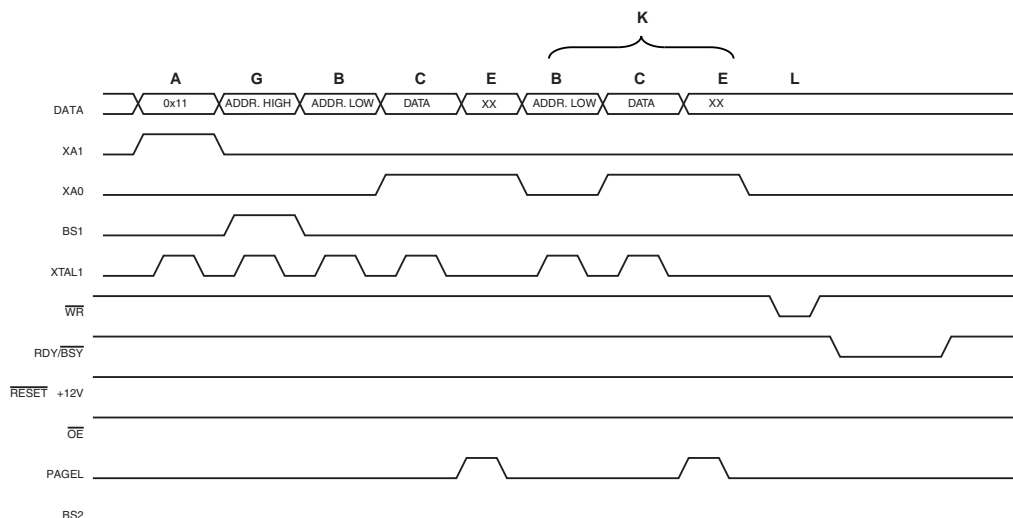
The EEPROM is organized in pages, see [Table 25-12 on page 287](#). When programming the EEPROM, the program data is latched into a page buffer. This allows one page of data to be programmed simultaneously. The programming algorithm for the EEPROM data memory is as follows (refer to [“Programming the Flash” on page 289](#) for details on Command, Address and Data loading):

1. A: Load Command “0001 0001”.
  2. G: Load Address High Byte (0x00 - 0xFF).
  3. B: Load Address Low Byte (0x00 - 0xFF).
  4. C: Load Data (0x00 - 0xFF).
  5. E: Latch data (give PAGESL a positive pulse).
- K: Repeat 3 through 5 until the entire buffer is filled.

L: Program EEPROM page

1. Set BS1 to “0”.
2. Give  $\overline{WR}$  a negative pulse. This starts programming of the EEPROM page. RDY/ $\overline{BSY}$  goes low.
3. Wait until RDY/ $\overline{BSY}$  goes high before programming the next page (See [Figure 25-4](#) for signal waveforms).

**Figure 25-4.** Programming the EEPROM Waveforms



## 25.8.6 Reading the Flash

The algorithm for reading the Flash memory is as follows (refer to [“Programming the Flash” on page 289](#) for details on Command and Address loading):

1. A: Load Command “0000 0010”.
2. G: Load Address High Byte (0x00 - 0xFF).
3. B: Load Address Low Byte (0x00 - 0xFF).
4. Set  $\overline{OE}$  to “0”, and BS1 to “0”. The Flash word low byte can now be read at DATA.
5. Set BS1 to “1”. The Flash word high byte can now be read at DATA.
6. Set  $\overline{OE}$  to “1”.

### 25.8.7 Reading the EEPROM

The algorithm for reading the EEPROM memory is as follows (refer to [“Programming the Flash” on page 289](#) for details on Command and Address loading):

1. A: Load Command “0000 0011”.
2. G: Load Address High Byte (0x00 - 0xFF).
3. B: Load Address Low Byte (0x00 - 0xFF).
4. Set  $\overline{OE}$  to “0”, and BS1 to “0”. The EEPROM Data byte can now be read at DATA.
5. Set  $\overline{OE}$  to “1”.

### 25.8.8 Programming the Fuse Low Bits

The algorithm for programming the Fuse Low bits is as follows (refer to [“Programming the Flash” on page 289](#) for details on Command and Data loading):

1. A: Load Command “0100 0000”.
2. C: Load Data Low Byte. Bit n = “0” programs and bit n = “1” erases the Fuse bit.
3. Give  $\overline{WR}$  a negative pulse and wait for RDY/ $\overline{BSY}$  to go high.

### 25.8.9 Programming the Fuse High Bits

The algorithm for programming the Fuse High bits is as follows (refer to [“Programming the Flash” on page 289](#) for details on Command and Data loading):

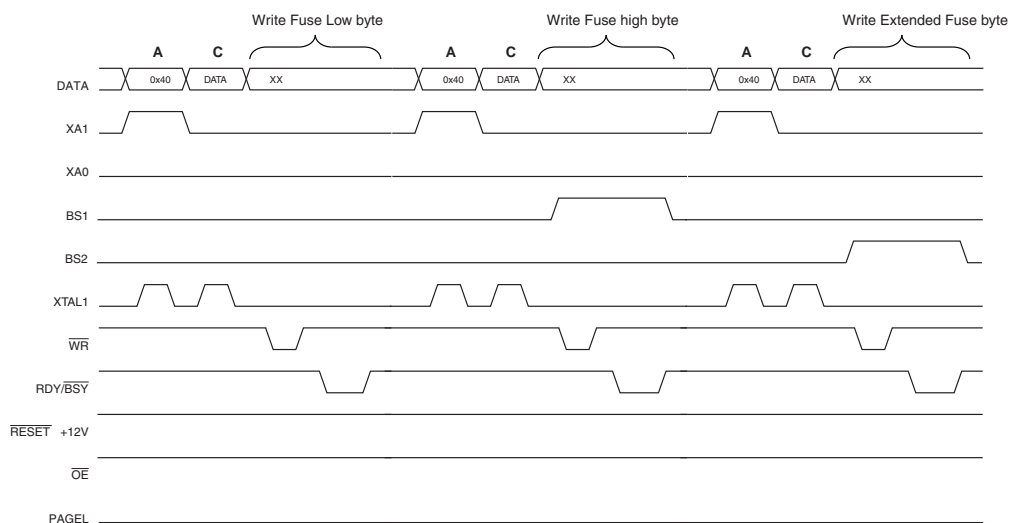
1. A: Load Command “0100 0000”.
2. C: Load Data Low Byte. Bit n = “0” programs and bit n = “1” erases the Fuse bit.
3. Set BS1 to “1” and BS2 to “0”. This selects high data byte.
4. Give  $\overline{WR}$  a negative pulse and wait for RDY/ $\overline{BSY}$  to go high.
5. Set BS1 to “0”. This selects low data byte.

### 25.8.10 Programming the Extended Fuse Bits

The algorithm for programming the Extended Fuse bits is as follows (refer to [“Programming the Flash” on page 289](#) for details on Command and Data loading):

1. 1. A: Load Command “0100 0000”.
2. 2. C: Load Data Low Byte. Bit n = “0” programs and bit n = “1” erases the Fuse bit.
3. 3. Set BS1 to “0” and BS2 to “1”. This selects extended data byte.
4. 4. Give  $\overline{WR}$  a negative pulse and wait for RDY/ $\overline{BSY}$  to go high.
5. 5. Set BS2 to “0”. This selects low data byte.

**Figure 25-5. Programming the FUSES Waveforms**



### 25.8.11 Programming the Lock Bits

The algorithm for programming the Lock bits is as follows (refer to [“Programming the Flash” on page 289](#) for details on Command and Data loading):

1. A: Load Command “0010 0000”.
2. C: Load Data Low Byte. Bit n = “0” programs the Lock bit. If LB mode 3 is programmed (LB1 and LB2 is programmed), it is not possible to program the Boot Lock bits by any External Programming mode.
3. Give  $\overline{WR}$  a negative pulse and wait for RDY/ $\overline{BSY}$  to go high.

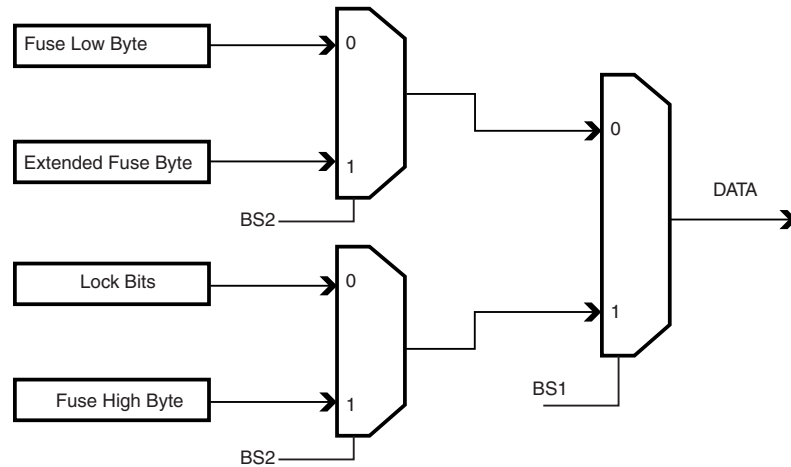
The Lock bits can only be cleared by executing Chip Erase.

### 25.8.12 Reading the Fuse and Lock Bits

The algorithm for reading the Fuse and Lock bits is as follows (refer to [“Programming the Flash” on page 289](#) for details on Command loading):

1. A: Load Command “0000 0100”.
2. Set  $\overline{OE}$  to “0”, BS2 to “0” and BS1 to “0”. The status of the Fuse Low bits can now be read at DATA (“0” means programmed).
3. Set  $\overline{OE}$  to “0”, BS2 to “1” and BS1 to “1”. The status of the Fuse High bits can now be read at DATA (“0” means programmed).
4. Set OE to “0”, BS2 to “1”, and BS1 to “0”. The status of the Extended Fuse bits can now be read at DATA (“0” means programmed).
5. Set  $\overline{OE}$  to “0”, BS2 to “0” and BS1 to “1”. The status of the Lock bits can now be read at DATA (“0” means programmed).
6. Set  $\overline{OE}$  to “1”.

**Figure 25-6.** Mapping Between BS1, BS2 and the Fuse and Lock Bits During Read



### 25.8.13 Reading the Signature Bytes

The algorithm for reading the Signature bytes is as follows (refer to “Programming the Flash” on page 289 for details on Command and Address loading):

1. A: Load Command “0000 1000”.
2. B: Load Address Low Byte (0x00 - 0x02).
3. Set  $\overline{OE}$  to “0”, and BS1 to “0”. The selected Signature byte can now be read at DATA.
4. Set  $\overline{OE}$  to “1”.

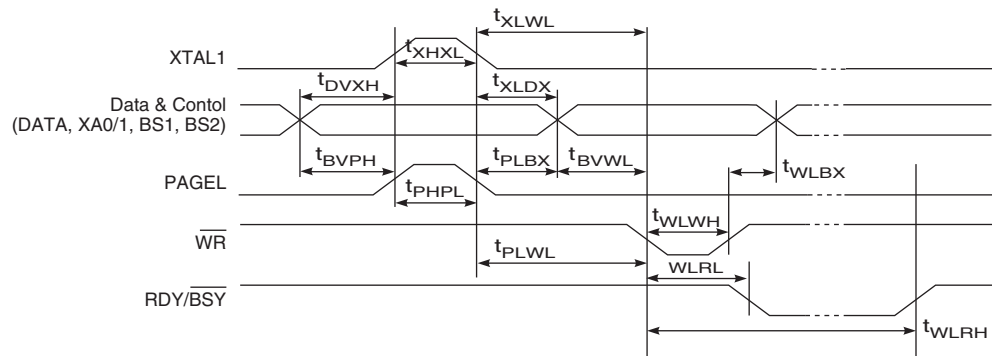
### 25.8.14 Reading the Calibration Byte

The algorithm for reading the Calibration byte is as follows (refer to “Programming the Flash” on page 289 for details on Command and Address loading):

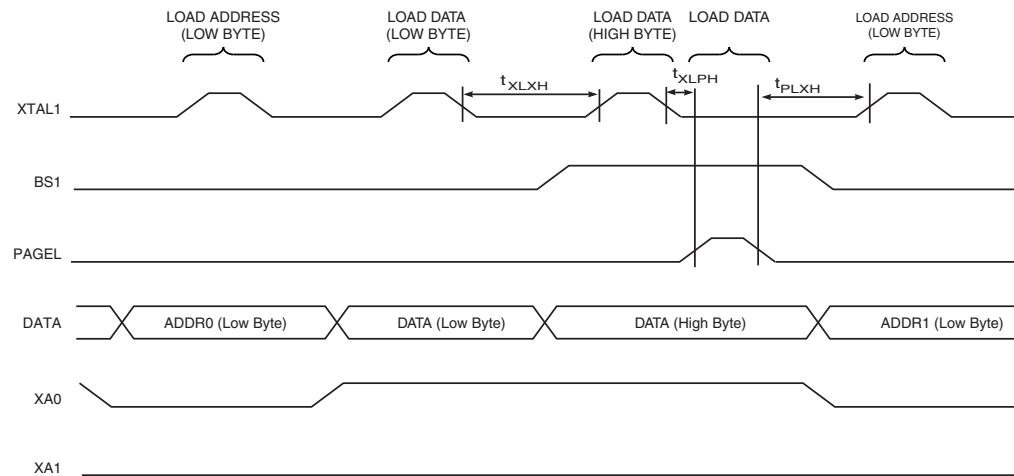
1. A: Load Command “0000 1000”.
2. B: Load Address Low Byte, 0x00.
3. Set  $\overline{OE}$  to “0”, and BS1 to “1”. The Calibration byte can now be read at DATA.
4. Set  $\overline{OE}$  to “1”.

### 25.8.15 Parallel Programming Characteristics

**Figure 25-7.** Parallel Programming Timing, Including some General Timing Requirements

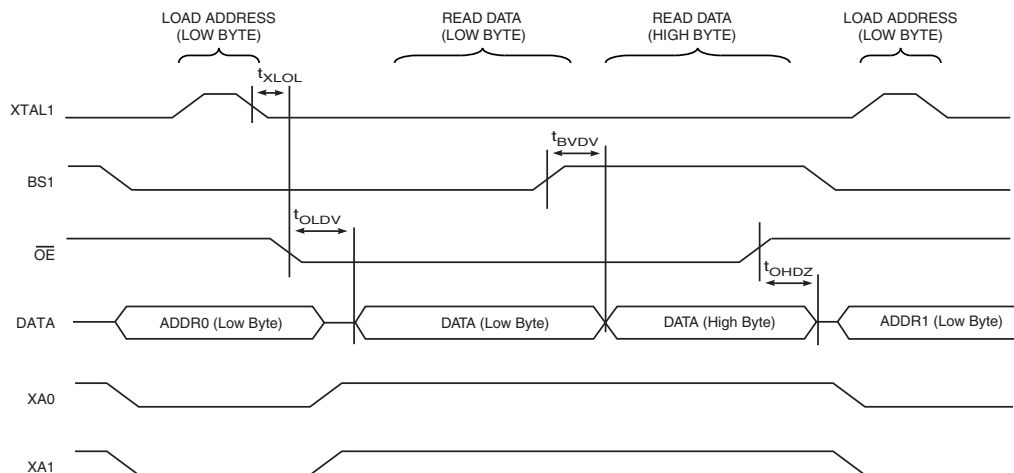


**Figure 25-8.** Parallel Programming Timing, Loading Sequence with Timing Requirements<sup>(1)</sup>



Note: 1. The timing requirements shown in Figure 25-7 (i.e.,  $t_{DVXH}$ ,  $t_{XHXL}$ , and  $t_{XLDX}$ ) also apply to loading operation.

**Figure 25-9.** Parallel Programming Timing, Reading Sequence (within the Same Page) with Timing Requirements<sup>(1)</sup>



Note: 1. The timing requirements shown in Figure 25-7 (i.e.,  $t_{DVXH}$ ,  $t_{XHXL}$ , and  $t_{XLDX}$ ) also apply to reading operation.

**Table 25-14.** Parallel Programming Characteristics,  $V_{CC} = 5V \pm 10\%$

Symbol	Parameter	Min	Typ	Max	Units
$V_{PP}$	Programming Enable Voltage	11.5		12.5	V
$I_{PP}$	Programming Enable Current			250	$\mu A$
$t_{DVXH}$	Data and Control Valid before XTAL1 High	67			ns
$t_{XLXH}$	XTAL1 Low to XTAL1 High	200			ns
$t_{XHXL}$	XTAL1 Pulse Width High	150			ns
$t_{XLDX}$	Data and Control Hold after XTAL1 Low	67			ns
$t_{XLWL}$	XTAL1 Low to $\overline{WR}$ Low	0			ns

**Table 25-14.** Parallel Programming Characteristics,  $V_{CC} = 5V \pm 10\%$  (Continued)

Symbol	Parameter	Min	Typ	Max	Units
$t_{XLPH}$	XTAL1 Low to PAgEL high	0			ns
$t_{PLXH}$	PAGEL low to XTAL1 high	150			ns
$t_{BVPH}$	BS1 Valid before PAgEL High	67			ns
$t_{PHPL}$	PAGEL Pulse Width High	150			ns
$t_{PLBX}$	BS1 Hold after PAgEL Low	67			ns
$t_{WLBX}$	BS2/1 Hold after $\overline{WR}$ Low	67			ns
$t_{PLWL}$	PAGEL Low to $\overline{WR}$ Low	67			ns
$t_{BVWL}$	BS1 Valid to $\overline{WR}$ Low	67			ns
$t_{WLWH}$	$\overline{WR}$ Pulse Width Low	150			ns
$t_{WLRL}$	$\overline{WR}$ Low to RDY/ $\overline{BSY}$ Low	0		1	$\mu$ s
$t_{WLRH}$	$\overline{WR}$ Low to RDY/ $\overline{BSY}$ High <sup>(1)</sup>	3.7		4.5	ms
$t_{WLRH\_CE}$	$\overline{WR}$ Low to RDY/ $\overline{BSY}$ High for Chip Erase <sup>(2)</sup>	7.5		9	ms
$t_{XLOL}$	XTAL1 Low to $\overline{OE}$ Low	0			ns
$t_{BVDV}$	BS1 Valid to DATA valid	0		250	ns
$t_{OLDV}$	$\overline{OE}$ Low to DATA Valid			250	ns
$t_{OHDZ}$	$\overline{OE}$ High to DATA Tri-stated			250	ns

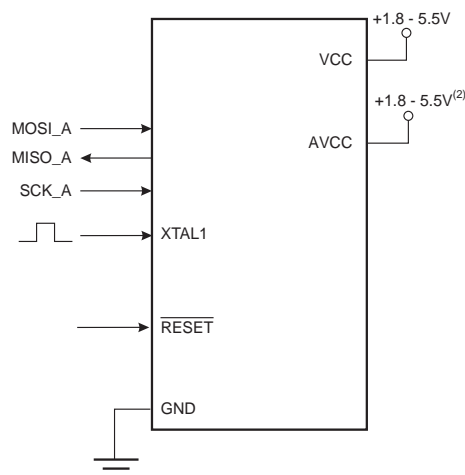
- Notes:
- $t_{WLRH}$  is valid for the Write Flash, Write EEPROM, Write Fuse bits and Write Lock bits commands.
  - $t_{WLRH\_CE}$  is valid for the Chip Erase command.

## 25.9 Serial Downloading

Both the Flash and EEPROM memory arrays can be programmed using the serial SPI bus while  $\overline{RESET}$  is pulled to GND. The serial interface consists of pins SCK, MOSI (input) and MISO (output). After  $\overline{RESET}$  is set low, the Programming Enable instruction needs to be executed first before program/erase operations can be executed. NOTE, in [Table 25-13 on page 287](#), the pin mapping for SPI programming is listed. Not all parts use the SPI pins dedicated for the internal SPI interface.



**Figure 25-10. Serial Programming and Verify<sup>(1)</sup>**



Notes: 1. If the device is clocked by the internal Oscillator, it is no need to connect a clock source to the XTAL1 pin.

2.  $V_{CC} - 0.3V < AVCC < V_{CC} + 0.3V$ , however, AVCC should always be within 1.8 - 5.5V

When programming the EEPROM, an auto-erase cycle is built into the self-timed programming operation (in the Serial mode ONLY) and there is no need to first execute the Chip Erase instruction. The Chip Erase operation turns the content of every memory location in both the Program and EEPROM arrays into 0xFF.

Depending on CKSEL Fuses, a valid clock must be present. The minimum low and high periods for the serial clock (SCK) input are defined as follows:

Low: > 2 CPU clock cycles for  $f_{ck} < 12$  MHz, 3 CPU clock cycles for  $f_{ck} \geq 12$  MHz

High: > 2 CPU clock cycles for  $f_{ck} < 12$  MHz, 3 CPU clock cycles for  $f_{ck} \geq 12$  MHz

### 25.9.1 Serial Programming Algorithm

When writing serial data to the AT90PWM216/316, data is clocked on the rising edge of SCK.

When reading data from the AT90PWM216/316, data is clocked on the falling edge of SCK. See [Figure 25-11](#) for timing details.

To program and verify the AT90PWM216/316 in the serial programming mode, the following sequence is recommended (See four byte instruction formats in [Table 25-16](#)):

1. Power-up sequence:  
Apply power between  $V_{CC}$  and GND while  $\overline{RESET}$  and SCK are set to "0". In some systems, the programmer can not guarantee that SCK is held low during power-up. In this case,  $\overline{RESET}$  must be given a positive pulse of at least two CPU clock cycles duration after SCK has been set to "0".
2. Wait for at least 20 ms and enable serial programming by sending the Programming Enable serial instruction to pin MOSI.
3. The serial programming instructions will not work if the communication is out of synchronization. When in sync. the second byte (0x53), will echo back when issuing the third byte of the Programming Enable instruction. Whether the echo is correct or not, all four bytes of the instruction must be transmitted. If the 0x53 did not echo back, give  $\overline{RESET}$  a positive pulse and issue a new Programming Enable command.

4. The Flash is programmed one page at a time. The memory page is loaded one byte at a time by supplying the 6 LSB of the address and data together with the Load Program Memory Page instruction. To ensure correct loading of the page, the data low byte must be loaded before data high byte is applied for a given address. The Program Memory Page is stored by loading the Write Program Memory Page instruction with the 8 MSB of the address. If polling is not used, the user must wait at least  $t_{WD\_FLASH}$  before issuing the next page. (See [Table 25-15](#).) Accessing the serial programming interface before the Flash write operation completes can result in incorrect programming.
5. The EEPROM array is programmed one byte at a time by supplying the address and data together with the appropriate Write instruction. An EEPROM memory location is first automatically erased before new data is written. If polling is not used, the user must wait at least  $t_{WD\_EEPROM}$  before issuing the next byte. (See [Table 25-15](#).) In a chip erased device, no 0xFFs in the data file(s) need to be programmed.
6. Any memory location can be verified by using the Read instruction which returns the content at the selected address at serial output MISO.
7. At the end of the programming session,  $\overline{RESET}$  can be set high to commence normal operation.
8. Power-off sequence (if needed):  
Set  $\overline{RESET}$  to "1".  
Turn  $V_{CC}$  power off.

### 25.9.2 Data Polling Flash

When a page is being programmed into the Flash, reading an address location within the page being programmed will give the value 0xFF. At the time the device is ready for a new page, the programmed value will read correctly. This is used to determine when the next page can be written. Note that the entire page is written simultaneously and any address within the page can be used for polling. Data polling of the Flash will not work for the value 0xFF, so when programming this value, the user will have to wait for at least  $t_{WD\_FLASH}$  before programming the next page. As a chip-erased device contains 0xFF in all locations, programming of addresses that are meant to contain 0xFF, can be skipped. See [Table 25-15](#) for  $t_{WD\_FLASH}$  value.

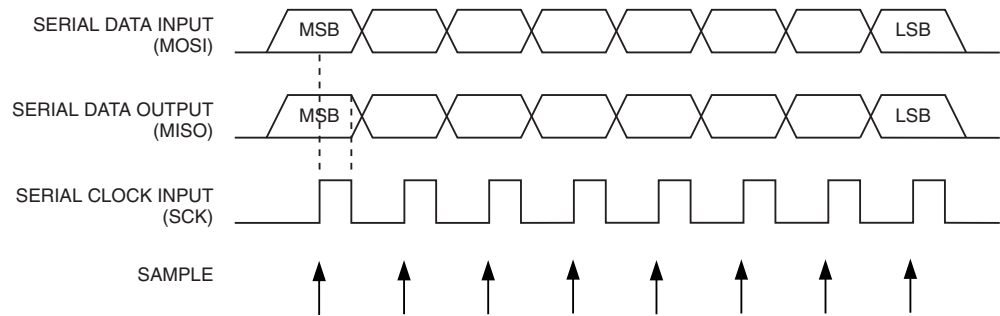
### 25.9.3 Data Polling EEPROM

When a new byte has been written and is being programmed into EEPROM, reading the address location being programmed will give the value 0xFF. At the time the device is ready for a new byte, the programmed value will read correctly. This is used to determine when the next byte can be written. This will not work for the value 0xFF, but the user should have the following in mind: As a chip-erased device contains 0xFF in all locations, programming of addresses that are meant to contain 0xFF, can be skipped. This does not apply if the EEPROM is re-programmed without chip erasing the device. In this case, data polling cannot be used for the value 0xFF, and the user will have to wait at least  $t_{WD\_EEPROM}$  before programming the next byte. See [Table 25-15](#) for  $t_{WD\_EEPROM}$  value.

**Table 25-15.** Minimum Wait Delay Before Writing the Next Flash or EEPROM Location

Symbol	Minimum Wait Delay
$t_{WD\_FLASH}$	4.5 ms
$t_{WD\_EEPROM}$	3.6 ms
$t_{WD\_ERASE}$	9.0 ms

**Figure 25-11. Serial Programming Waveforms**



**Table 25-16. Serial Programming Instruction Set**

Instruction	Instruction Format				Operation
	Byte 1	Byte 2	Byte 3	Byte 4	
Programming Enable	1010 1100	0101 0011	xxxx xxxx	xxxx xxxx	Enable Serial Programming after RESET goes low.
Chip Erase	1010 1100	100x xxxx	xxxx xxxx	xxxx xxxx	Chip Erase EEPROM and Flash.
Read Program Memory	0010 H000	000a aaaa	bbbb bbbb	oooo oooo	Read H (high or low) data o from Program memory at word address a:b.
Load Program Memory Page	0100 H000	000x xxxx	xxbb bbbb	iiii iiii	Write H (high or low) data i to Program Memory page at word address b. Data low byte must be loaded before Data high byte is applied within the same address.
Write Program Memory Page	0100 1100	000a aaaa	bbxx xxxx	xxxx xxxx	Write Program Memory Page at address a:b.
Read EEPROM Memory	1010 0000	000x xxaa	bbbb bbbb	oooo oooo	Read data o from EEPROM memory at address a:b.
Write EEPROM Memory	1100 0000	000x xxaa	bbbb bbbb	iiii iiii	Write data i to EEPROM memory at address a:b.
Load EEPROM Memory Page (page access)	1100 0001	0000 0000	0000 00bb	iiii iiii	Load data i to EEPROM memory page buffer. After data is loaded, program EEPROM page.
Write EEPROM Memory Page (page access)	1100 0010	00xx xxaa	bbbb bb00	xxxx xxxx	Write EEPROM page at address a:b.
Read Lock bits	0101 1000	0000 0000	xxxx xxxx	xx00 0000	Read Lock bits. "0" = programmed, "1" = unprogrammed. See <a href="#">Table 25-1 on page 280</a> for details.
Write Lock bits	1010 1100	111x xxxx	xxxx xxxx	11ii iiii	Write Lock bits. Set bits = "0" to program Lock bits. See <a href="#">Table 25-1 on page 280</a> for details.
Read Signature Byte	0011 0000	000x xxxx	xxxx xxbb	oooo oooo	Read Signature Byte o at address b.
Write Fuse bits	1010 1100	1010 0000	xxxx xxxx	iiii iiii	Set bits = "0" to program, "1" to unprogram. See <a href="#">Table XXX on page XXX</a> for details.

**Table 25-16.** Serial Programming Instruction Set (Continued)

Instruction	Instruction Format				Operation
	Byte 1	Byte 2	Byte 3	Byte4	
Write Fuse High bits	1010 1100	1010 1000	xxxx xxxx	iiii iiii	Set bits = "0" to program, "1" to unprogram. See <a href="#">Table 25-5 on page 284</a> for details.
Write Extended Fuse Bits	1010 1100	1010 0100	xxxx xxxx	xxxx xxii	Set bits = "0" to program, "1" to unprogram. See <a href="#">Table 25-4 on page 282</a> for details.
Read Fuse bits	0101 0000	0000 0000	xxxx xxxx	oooo oooo	Read Fuse bits. "0" = programmed, "1" = unprogrammed. See <a href="#">Table XXX on page XXX</a> for details.
Read Fuse High bits	0101 1000	0000 1000	xxxx xxxx	oooo oooo	Read Fuse High bits. "0" = programmed, "1" = unprogrammed. See <a href="#">Table 25-5 on page 284</a> for details.
Read Extended Fuse Bits	0101 0000	0000 1000	xxxx xxxx	oooo oooo	Read Extended Fuse bits. "0" = programmed, "1" = unprogrammed. See <a href="#">Table 25-4 on page 282</a> for details.
Read Calibration Byte	0011 1000	000x xxxx	0000 0000	oooo oooo	Read Calibration Byte
Poll RDY/ $\overline{\text{BSY}}$	1111 0000	0000 0000	xxxx xxxx	xxxx xx $\bar{o}$	If $\bar{o}$ = "1", a programming operation is still busy. Wait until this bit returns to "0" before applying another command.

Note: **a** = address high bits, **b** = address low bits, **H** = 0 - Low byte, 1 - High Byte, **o** = data out, **i** = data in, **x** = don't care

#### 25.9.4 SPI Serial Programming Characteristics

For characteristics of the SPI module see "SPI Serial Programming Characteristics" on page 300.

## 26. Electrical Characteristics<sup>(1)</sup>

### 26.1 Absolute Maximum Ratings\*

Operating Temperature.....	-40°C to +105°C	<p><b>*NOTICE:</b> Stresses beyond those listed under “Absolute Maximum Ratings” may cause permanent damage to the device. This is a stress rating only and functional operation of the device at these or other conditions beyond those indicated in the operational sections of this specification is not implied. Exposure to absolute maximum rating conditions for extended periods may affect device reliability.</p>
Storage Temperature .....	-65°C to +150°C	
Voltage on any Pin except $\overline{\text{RESET}}$ with respect to Ground .....	-0.5V to $V_{CC}+0.5V$	
Voltage on $\overline{\text{RESET}}$ with respect to Ground.....	-0.5V to +13.0V	
Maximum Operating Voltage .....	6.0V	
DC Current per I/O Pin .....	40.0 mA	
DC Current $V_{CC}$ and GND Pins.....	200.0 mA	

Note: 1. Electrical Characteristics for this product have not yet been finalized. Please consider all values listed herein as preliminary and non-contractual.

## 26.2 DC Characteristics

$T_A = -40^{\circ}\text{C}$  to  $+105^{\circ}\text{C}$ ,  $V_{CC} = 2.7\text{V}$  to  $5.5\text{V}$  (unless otherwise noted)

Symbol	Parameter	Condition	Min.	Typ.	Max.	Units
$V_{IL}$	Input Low Voltage	Port B, C & D and XTAL1, XTAL2 pins as I/O	-0.5		$0.2V_{CC}^{(1)}$	V
$V_{IH}$	Input High Voltage	Port B, C & D and XTAL1, XTAL2 pins as I/O	$0.6V_{CC}^{(2)}$		$V_{CC}+0.5$	V
$V_{IL1}$	Input Low Voltage	XTAL1 pin, External Clock Selected	-0.5		$0.1V_{CC}^{(1)}$	V
$V_{IH1}$	Input High Voltage	XTAL1 pin, External Clock Selected	$0.7V_{CC}^{(2)}$		$V_{CC}+0.5$	V
$V_{IL2}$	Input Low Voltage	$\overline{\text{RESET}}$ pin	-0.5		$0.2V_{CC}^{(1)}$	V
$V_{IH2}$	Input High Voltage	$\overline{\text{RESET}}$ pin	$0.9V_{CC}^{(2)}$		$V_{CC}+0.5$	V
$V_{IL3}$	Input Low Voltage	$\overline{\text{RESET}}$ pin as I/O	-0.5		$0.2V_{CC}^{(1)}$	V
$V_{IH3}$	Input High Voltage	$\overline{\text{RESET}}$ pin as I/O	$0.8V_{CC}^{(2)}$		$V_{CC}+0.5$	V
$V_{OL}$	Output Low Voltage <sup>(3)</sup> (Port B, C & D and XTAL1, XTAL2 pins as I/O)	$I_{OL} = 20\text{ mA}$ , $V_{CC} = 5\text{V}$ $I_{OL} = 10\text{ mA}$ , $V_{CC} = 3\text{V}$			0.7	V
					0.5	V
$V_{OH}$	Output High Voltage <sup>(4)</sup> (Port B, C & D and XTAL1, XTAL2 pins as I/O)	$I_{OH} = -20\text{ mA}$ , $V_{CC} = 5\text{V}$ $I_{OH} = -10\text{ mA}$ , $V_{CC} = 3\text{V}$	4.2			V
			2.4			V
$V_{OL3}$	Output Low Voltage <sup>(3)</sup> ( $\overline{\text{RESET}}$ pin as I/O)	$I_{OL} = 2.1\text{ mA}$ , $V_{CC} = 5\text{V}$ $I_{OL} = 0.8\text{ mA}$ , $V_{CC} = 3\text{V}$			0.7	V
					0.5	V
$V_{OH3}$	Output High Voltage <sup>(4)</sup> ( $\overline{\text{RESET}}$ pin as I/O)	$I_{OH} = -0.6\text{ mA}$ , $V_{CC} = 5\text{V}$ $I_{OH} = -0.4\text{ mA}$ , $V_{CC} = 3\text{V}$	3.8			V
			2.2			V
$I_{IL}$	Input Leakage Current I/O Pin	$V_{CC} = 5.5\text{V}$ , pin low (absolute value)			1	$\mu\text{A}$
$I_{IH}$	Input Leakage Current I/O Pin	$V_{CC} = 5.5\text{V}$ , pin high (absolute value)			1	$\mu\text{A}$
$R_{RST}$	Reset Pull-up Resistor		30		200	$\text{k}\Omega$
$R_{pu}$	I/O Pin Pull-up Resistor		20		50	$\text{k}\Omega$

$T_A = -40^{\circ}\text{C}$  to  $+105^{\circ}\text{C}$ ,  $V_{CC} = 2.7\text{V}$  to  $5.5\text{V}$  (unless otherwise noted) (Continued)

Symbol	Parameter	Condition	Min.	Typ.	Max.	Units
$I_{CC}$	Power Supply Current	Active 8 MHz, $V_{CC} = 3\text{V}$ , RC osc, PRR = 0xFF		3.8	7	mA
		Active 16 MHz, $V_{CC} = 5\text{V}$ , Ext Clock, PRR = 0xFF		14	24	mA
		Idle 8 MHz, $V_{CC} = 3\text{V}$ , RC Osc		1.5	3	mA
		Idle 16 MHz, $V_{CC} = 5\text{V}$ , Ext Clock		5.5	10	mA
	Power-down mode <sup>(5)</sup>	WDT enabled, $V_{CC} = 3\text{V}$ $t_0 < 90^{\circ}\text{C}$		5	15	$\mu\text{A}$
		WDT enabled, $V_{CC} = 3\text{V}$ $t_0 < 105^{\circ}\text{C}$		9	20	$\mu\text{A}$
		WDT disabled, $V_{CC} = 3\text{V}$ $t_0 < 90^{\circ}\text{C}$		1.5	3	$\mu\text{A}$
		WDT disabled, $V_{CC} = 3\text{V}$ $t_0 < 105^{\circ}\text{C}$		5	10	$\mu\text{A}$
$V_{ACIO}$	Analog Comparator Input Offset Voltage	$V_{CC} = 5\text{V}$ , $V_{in} = 3\text{V}$		20	50	mV
$V_{hysr}$	Analog Comparator Hysteresis Voltage	$V_{CC} = 5\text{V}$ , $V_{in} = 3\text{V}$ Rising edge		0		mV
		Falling edge	20	30	65	mV
$I_{ACLK}$	Analog Comparator Input Leakage Current	$V_{CC} = 5\text{V}$ $V_{in} = V_{CC}/2$	-50		50	nA
$t_{ACID}$	Analog Comparator Propagation Delay	$V_{CC} = 2.7\text{V}$		(6)		ns
		$V_{CC} = 5.0\text{V}$		(6)		

- Note:
- “Max” means the highest value where the pin is guaranteed to be read as low
  - “Min” means the lowest value where the pin is guaranteed to be read as high
  - Although each I/O port can sink more than the test conditions (20 mA at  $V_{CC} = 5\text{V}$ , 10 mA at  $V_{CC} = 3\text{V}$ ) under steady state conditions (non-transient), the following must be observed:  
SO32, SO24 and TQFN Package:  
1] The sum of all IOL, for all ports, should not exceed 400 mA.  
2] The sum of all IOL, for ports B6 - B7, C0 - C1, D0 - D3, E0 should not exceed 100 mA.  
3] The sum of all IOL, for ports B0 - B1, C2 - C3, D4, E1 - E2 should not exceed 100 mA.  
4] The sum of all IOL, for ports B3 - B5, C6 - C7 should not exceed 100 mA.  
5] The sum of all IOL, for ports B2, C4 - C5, D5 - D7 should not exceed 100 mA.  
If IOL exceeds the test condition, VOL may exceed the related specification. Pins are not guaranteed to sink current greater than the listed test condition.
  - Although each I/O port can source more than the test conditions (20 mA at  $V_{CC} = 5\text{V}$ , 10 mA at  $V_{CC} = 3\text{V}$ ) under steady state conditions (non-transient), the following must be observed:  
SO32, SO24 and TQFN Package:  
1] The sum of all IOH, for all ports, should not exceed 400 mA.  
2] The sum of all IOH, for ports B6 - B7, C0 - C1, D0 - D3, E0 should not exceed 150 mA.  
3] The sum of all IOH, for ports B0 - B1, C2 - C3, D4, E1 - E2 should not exceed 150 mA.  
4] The sum of all IOH, for ports B3 - B5, C6 - C7 should not exceed 150 mA.  
5] The sum of all IOH, for ports B2, C4 - C5, D5 - D7 should not exceed 150 mA.  
If IOH exceeds the test condition, VOH may exceed the related specification. Pins are not guaranteed to source current greater than the listed test condition.

5. Minimum  $V_{CC}$  for Power-down is 2.5V.
6. The Analog Comparator Propagation Delay equals 1 comparator clock plus 30 nS. See “Analog Comparator” on page 229. for comparator clock definition.

## 26.3 External Clock Drive Characteristics

### 26.3.1 Calibrated Internal RC Oscillator Accuracy

Table 26-1. Calibration Accuracy of Internal RC Oscillator

	Frequency	$V_{CC}$	Temperature	Calibration Accuracy
Factory Calibration	8.0 MHz	3V	25°C	±10%
User Calibration	7.3 - 8.1 MHz	2.7V - 5.5V	-40°C - 85°C	±1%

### 26.3.2 External Clock Drive Waveforms

Figure 26-1. External Clock Drive Waveforms

### 26.3.3 External Clock Drive

## 26.4 Maximum Speed vs. $V_{CC}$

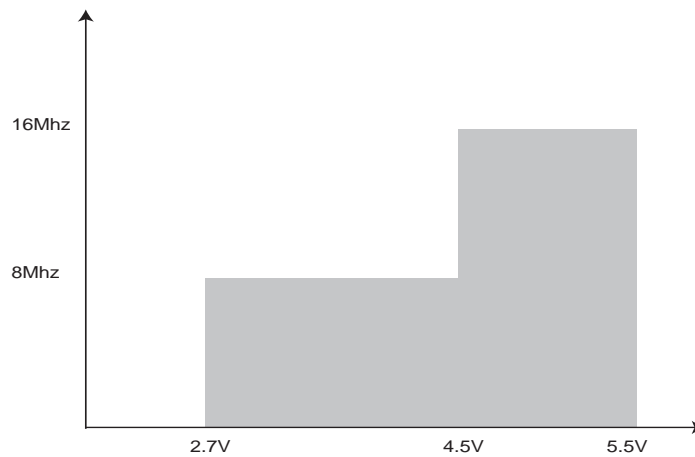
Table 26-2. External Clock Drive

Symbol	Parameter	$V_{CC}=1.8-5.5V$		$V_{CC}=2.7-5.5V$		$V_{CC}=4.5-5.5V$		Units
		Min.	Max.	Min.	Max.	Min.	Max.	
$1/t_{CLCL}$	Oscillator Frequency	0	4	0	10	0	20	MHz
$t_{CLCL}$	Clock Period	250		100		50		ns
$t_{CHCX}$	High Time	100		40		20		ns
$t_{CLCX}$	Low Time	100		40		20		ns
$t_{CLCH}$	Rise Time		2.0		1.6		0.5	μs
$t_{CHCL}$	Fall Time		2.0		1.6		0.5	μs
$\Delta t_{CLCL}$	Change in period from one clock cycle to the next		2		2		2	%

Maximum frequency is depending on  $V_{CC}$ . As shown in Figure 26-2, the Maximum Frequency equals 8Mhz when  $V_{CC}$  is contained between 2.7V and 4.5V and equals 16Mhz when  $V_{CC}$  is contained between 4.5V and 5.5V.



**Figure 26-2.** Maximum Frequency vs.  $V_{CC}$ , AT90PWM216/316



## 26.5 PLL Characteristics

**Table 26-3.** PLL Characteristics -  $V_{CC} = 2.7V$  to  $5.5V$  (unless otherwise noted)

Symbol	Parameter	Min.	Typ.	Max.	Units
PLL <sub>IF</sub>	Input Frequency	0.5	1	2	MHz
PLL <sub>F</sub>	PLL Factor		64		
PLL <sub>LT</sub>	Lock-in Time			64	$\mu S$

Note: While connected to external clock or external oscillator, PLL Input Frequency must be selected to provide outputs with frequency in accordance with driven parts of the circuit (CPU core, PSC...)

## 26.6 SPI Timing Characteristics

See [Figure 26-3](#) and [Figure 26-4](#) for details.

**Table 26-4.** SPI Timing Parameters

	Description	Mode	Min.	Typ.	Max.	
1	SCK period	Master		See <a href="#">Table 17-4</a>		ns
2	SCK high/low	Master		50% duty cycle		
3	Rise/Fall time	Master		3.6		
4	Setup	Master		10		
5	Hold	Master		10		
6	Out to SCK	Master		$0.5 \cdot t_{sck}$		
7	SCK to out	Master		10		
8	SCK to out high	Master		10		
9	SS low to out	Slave		15		
10	SCK period	Slave	$4 \cdot t_{ck}$			
11	SCK high/low <sup>(1)</sup>	Slave	$2 \cdot t_{ck}$			
12	Rise/Fall time	Slave			1.6	
13	Setup	Slave	10			
14	Hold	Slave	$t_{ck}$			
15	SCK to out	Slave		15		
16	SCK to $\overline{SS}$ high	Slave	20			
17	$\overline{SS}$ high to tri-state	Slave		10		
18	SS low to SCK	Slave	$2 \cdot t_{ck}$			

Note: In SPI Programming mode the minimum SCK high/low period is:  
 -  $2 t_{CLCL}$  for  $f_{CK} < 12$  MHz  
 -  $3 t_{CLCL}$  for  $f_{CK} > 12$  MHz

**Figure 26-3.** SPI Interface Timing Requirements (Master Mode)

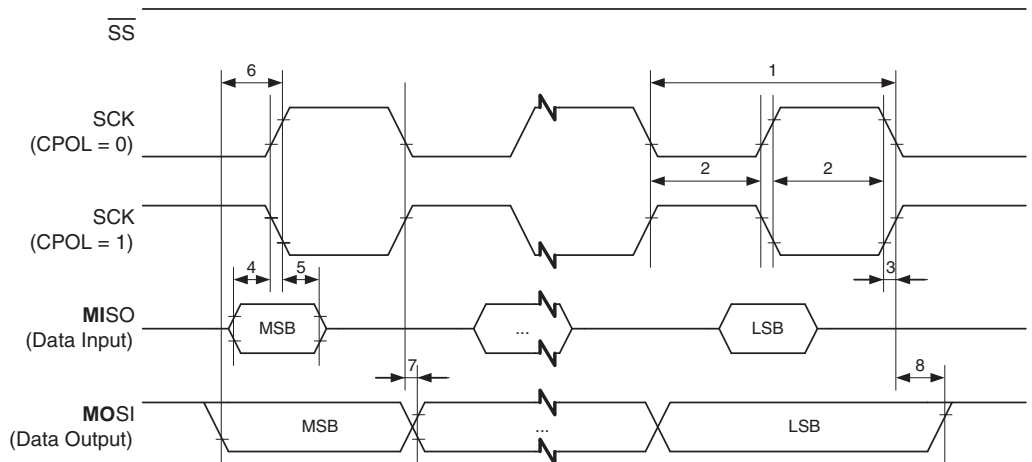
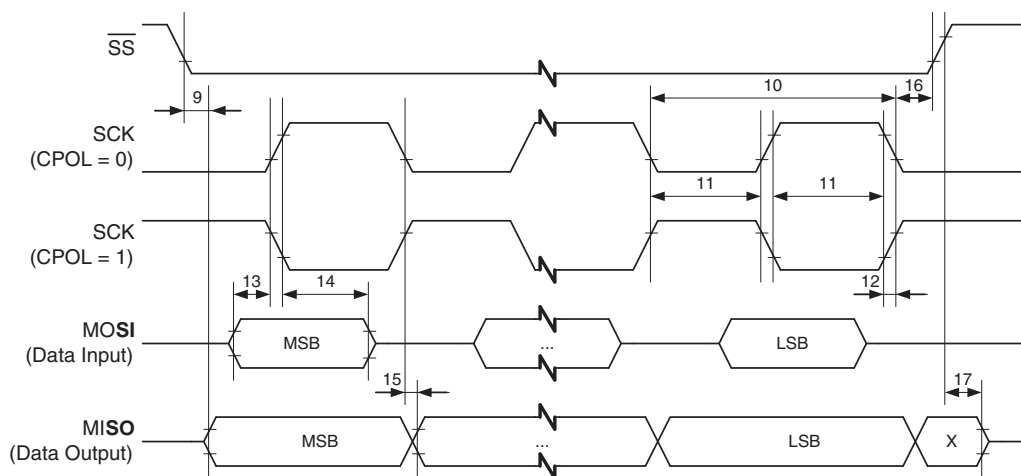


Figure 26-4. SPI Interface Timing Requirements (Slave Mode)



## 26.7 ADC Characteristics

**Table 26-5.** ADC Characteristics -  $T_A = -40^{\circ}\text{C}$  to  $+105^{\circ}\text{C}$ ,  $V_{CC} = 2.7\text{V}$  to  $5.5\text{V}$  (unless otherwise noted)

Symbol	Parameter	Condition	Min	Typ	Max	Units
	Resolution	Single Ended Conversion		10		Bits
		Differential Conversion Gain = 10x		8		Bits
	Absolute accuracy <sup>(1)</sup>	Single Ended Conversion $V_{REF} = 2.56\text{V}$ ADC clock = 1 MHz		3	4	LSB
		Single Ended Conversion $V_{REF} = 2.56\text{V}$ ADC clock = 2 MHz		3	4	LSB
		Differential Conversion Gain = 10 $V_{REF} = 2.56\text{V}$ ADC clock = 1 MHz		2	3	LSB
		Differential Conversion Gain = 10 $V_{REF} = 2.56\text{V}$ ADC clock = 2 MHz		2	3	LSB
	Integral Non-linearity <sup>(1)</sup>	Single Ended Conversion $V_{CC} = 4.5\text{V}$ , $V_{REF} = 2.56\text{V}$ ADC clock = 2 MHz		0.8	1.2	LSB
		Differential Conversion Gain = 10 $V_{CC} = 4.5\text{V}$ , $V_{REF} = 2.56\text{V}$ ADC clock = 2 MHz		0.8	1.5	LSB
	Differential Non-linearity <sup>(1)</sup>	Single Ended Conversion $V_{CC} = 4.5\text{V}$ , $V_{REF} = 4\text{V}$ ADC clock = 2 MHz		0.8	1.2	LSB
		Differential Conversion Gain = 10 $V_{CC} = 4.5\text{V}$ , $V_{REF} = 4\text{V}$ ADC clock = 2 MHz		0.5	0.8	LSB
	Zero Error (Offset) <sup>(1)</sup>	Single Ended Conversion $V_{CC} = 4.5\text{V}$ , $V_{REF} = 4\text{V}$ ADC clock = 1 MHz	-1		3	LSB
		Differential Conversion Gain = 10 $V_{CC} = 4.5\text{V}$ , $V_{REF} = 4\text{V}$ ADC clock = 2 MHz	-0.5		0.5	LSB
	Conversion Time	Single Conversion	8		320	$\mu\text{s}$
	Clock Frequency		50		2000	kHz
$AV_{CC}$	Analog Supply Voltage		$V_{CC} - 0.3$		$V_{CC} + 0.3$	V

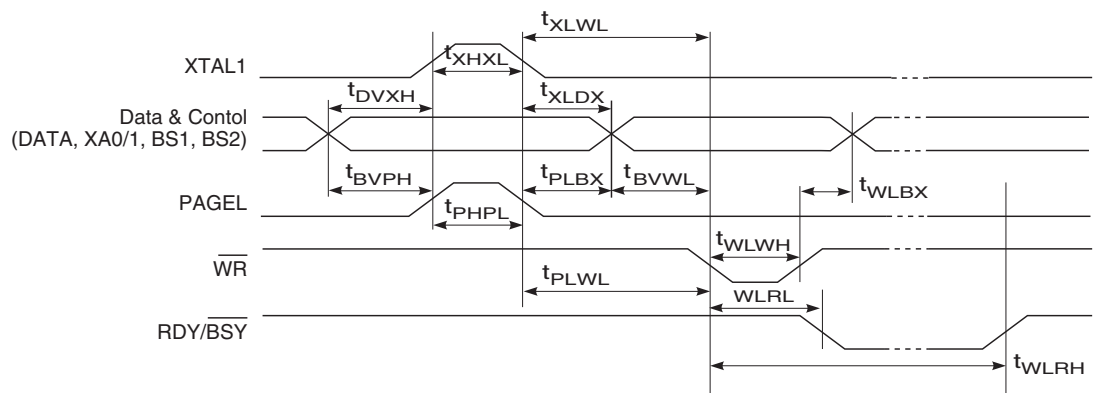
**Table 26-5.** ADC Characteristics -  $T_A = -40^\circ\text{C}$  to  $+105^\circ\text{C}$ ,  $V_{CC} = 2.7\text{V}$  to  $5.5\text{V}$  (unless otherwise noted) (Continued)

Symbol	Parameter	Condition	Min	Typ	Max	Units
$V_{REF}$	Reference Voltage	Single Ended Conversion	2.0		$AV_{CC}$	V
		Differential Conversion	2.0		$AV_{CC} - 0.6$	V
$V_{IN}$	Input voltage	Single Ended Conversion	GND		$V_{REF}$	
		Differential Conversion	$-V_{REF}/\text{Gain}$		$+V_{REF}/\text{Gain}$	
	Input bandwidth	Single Ended Conversion		62.5 <sup>(2)</sup>		kHz
		Differential Conversion		4 <sup>(3)</sup>		kHz
$V_{INT}$	Internal Voltage Reference			2.56		V
$R_{REF}$	Reference Input Resistance			30		k $\Omega$
$R_{AIN}$	Analog Input Resistance			100		M $\Omega$
$I_{HSM}$	Increased Current Consumption	High Speed Mode Single Ended Conversion			380	$\mu\text{A}$

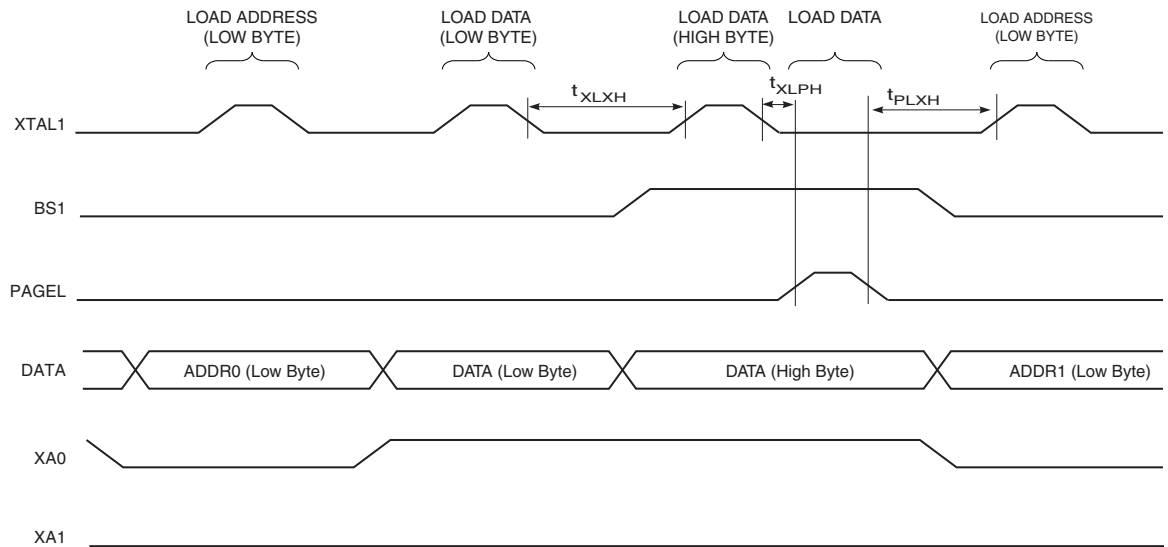
1. Best results if codes >8 are used.
2. Free Running conversion at 8 $\mu\text{s}$ .
3. 250 KHz when input signal is synchronous with Amplifier clock.

## 26.8 Parallel Programming Characteristics

**Figure 26-5.** Parallel Programming Timing, Including some General Timing Requirements

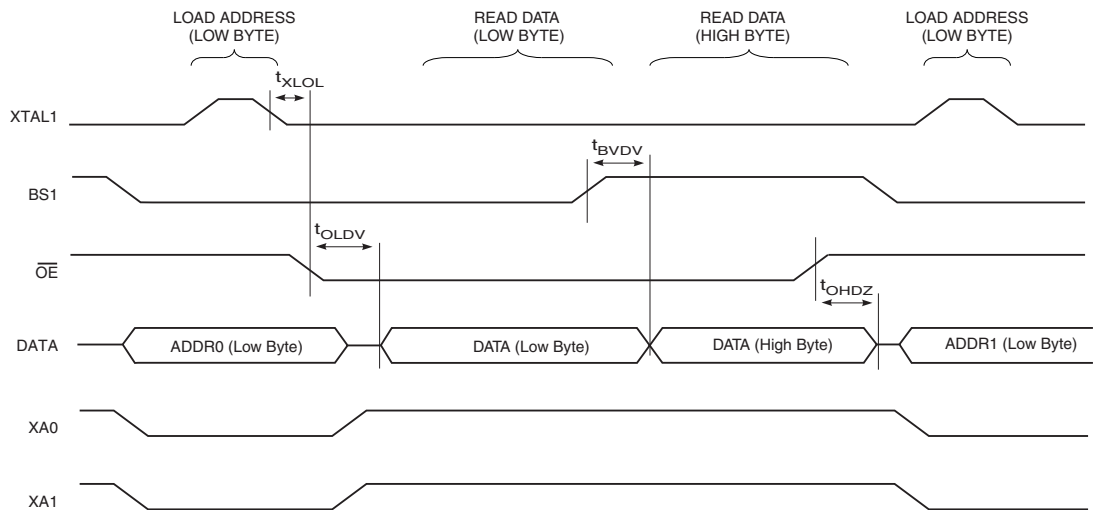


**Figure 26-6.** Parallel Programming Timing, Loading Sequence with Timing Requirements<sup>(1)</sup>



Note: 1. The timing requirements shown in Figure 26-5 (i.e.,  $t_{DVXH}$ ,  $t_{XHXL}$ , and  $t_{XLDX}$ ) also apply to loading operation.

**Figure 26-7.** Parallel Programming Timing, Reading Sequence (within the Same Page) with Timing Requirements<sup>(1)</sup>



Note: 1. The timing requirements shown in Figure 26-5 (i.e.,  $t_{DVXH}$ ,  $t_{XHXL}$ , and  $t_{XLDX}$ ) also apply to reading operation.

**Table 26-6.** Parallel Programming Characteristics,  $V_{CC} = 5V \pm 10\%$

Symbol	Parameter	Min.	Typ.	Max.	Units
$V_{PP}$	Programming Enable Voltage	11.5		12.5	V
$I_{PP}$	Programming Enable Current			250	$\mu A$
$t_{DVXH}$	Data and Control Valid before XTAL1 High	67			ns
$t_{XLXH}$	XTAL1 Low to XTAL1 High	200			ns
$t_{XHXL}$	XTAL1 Pulse Width High	150			ns
$t_{XLDX}$	Data and Control Hold after XTAL1 Low	67			ns
$t_{XLWL}$	XTAL1 Low to $\overline{WR}$ Low	0			ns
$t_{XLPH}$	XTAL1 Low to PAGED high	0			ns
$t_{PLXH}$	PAGED low to XTAL1 high	150			ns
$t_{BVPH}$	BS1 Valid before PAGED High	67			ns
$t_{PHPL}$	PAGED Pulse Width High	150			ns
$t_{PLBX}$	BS1 Hold after PAGED Low	67			ns
$t_{WLBX}$	BS2/1 Hold after $\overline{WR}$ Low	67			ns
$t_{PLWL}$	PAGED Low to $\overline{WR}$ Low	67			ns
$t_{BVWL}$	BS1 Valid to $\overline{WR}$ Low	67			ns
$t_{WLWH}$	$\overline{WR}$ Pulse Width Low	150			ns
$t_{WLRL}$	$\overline{WR}$ Low to RDY/ $\overline{BSY}$ Low	0		1	$\mu s$
$t_{WLRH}$	$\overline{WR}$ Low to RDY/ $\overline{BSY}$ High <sup>(1)</sup>	3.7		5	ms
$t_{WLRH\_CE}$	$\overline{WR}$ Low to RDY/ $\overline{BSY}$ High for Chip Erase <sup>(2)</sup>	7.5		10	ms
$t_{XLOL}$	XTAL1 Low to $\overline{OE}$ Low	0			ns
$t_{BVDV}$	BS1 Valid to DATA valid	0		250	ns
$t_{OLDV}$	$\overline{OE}$ Low to DATA Valid			250	ns
$t_{OHDZ}$	$\overline{OE}$ High to DATA Tri-stated			250	ns

Notes: 1.  $t_{WLRH}$  is valid for the Write Flash, Write EEPROM, Write Fuse bits and Write Lock bits commands.

2.  $t_{WLRH\_CE}$  is valid for the Chip Erase command.

## 27. AT90PWM216/316 Typical Characteristics – Preliminary Data

The following charts show typical behavior. These figures are not tested during manufacturing. All current consumption measurements are performed with all I/O pins configured as inputs and with internal pull-ups enabled. A sine wave generator with rail-to-rail output is used as clock source.

All Active- and Idle current consumption measurements are done with all bits in the PRR register set and thus, the corresponding I/O modules are turned off. Also the Analog Comparator is dis-

abled during these measurements. [Table 27-1 on page 316](#) and [Table 27-2 on page 317](#) show the additional current consumption compared to  $I_{CC}$  Active and  $I_{CC}$  Idle for every I/O module controlled by the Power Reduction Register. See [Section 8.5 “Power Reduction Register” on page 41](#) for details.

The power consumption in Power-down mode is independent of clock selection.

The current consumption is a function of several factors such as: operating voltage, operating frequency, loading of I/O pins, switching rate of I/O pins, code executed and ambient temperature. The dominating factors are operating voltage and frequency.

The current drawn from capacitive loaded pins may be estimated (for one pin) as  $C_L * V_{CC} * f$  where  $C_L$  = load capacitance,  $V_{CC}$  = operating voltage and  $f$  = average switching frequency of I/O pin.

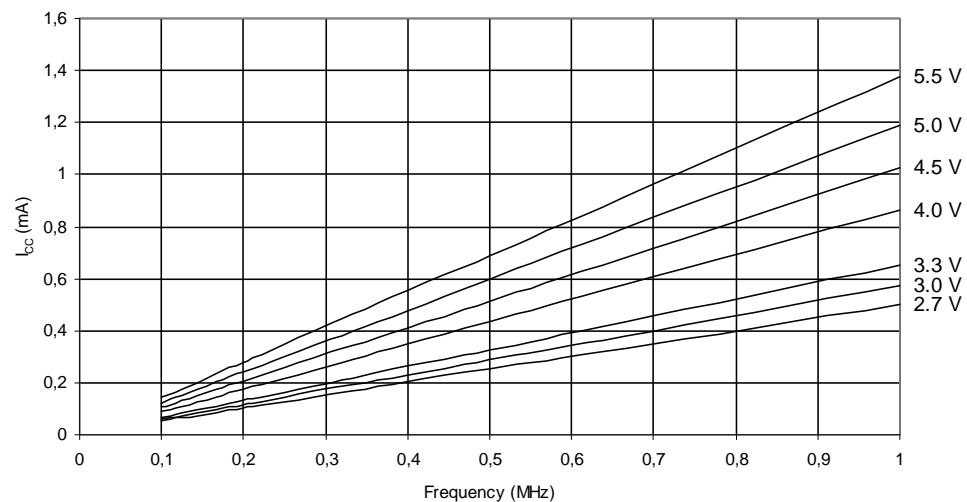
The parts are characterized at frequencies higher than test limits. Parts are not guaranteed to function properly at frequencies higher than the ordering code indicates.

The difference between current consumption in Power-down mode with Watchdog Timer enabled and Power-down mode with Watchdog Timer disabled represents the differential current drawn by the Watchdog Timer.

## 27.1 Active Supply Current

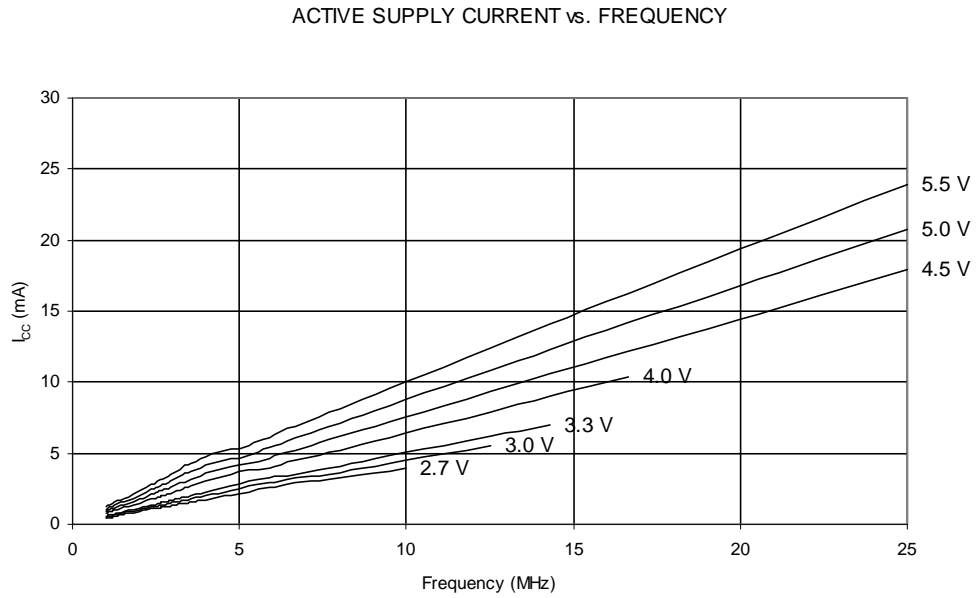
**Figure 27-1.** Active Supply Current vs. Frequency (0.1 - 1.0 MHz)

ACTIVE SUPPLY CURRENT vs. LOW FREQUENCY

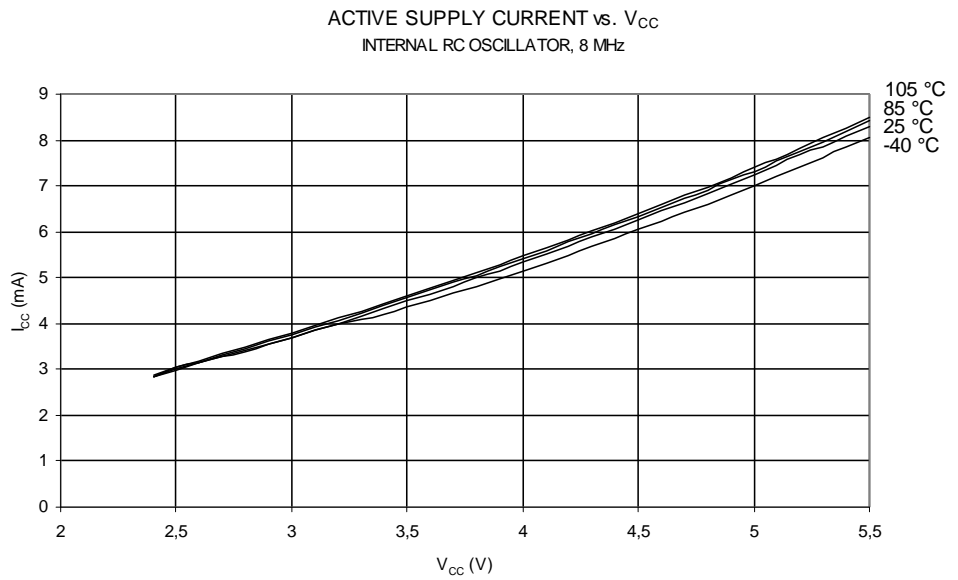




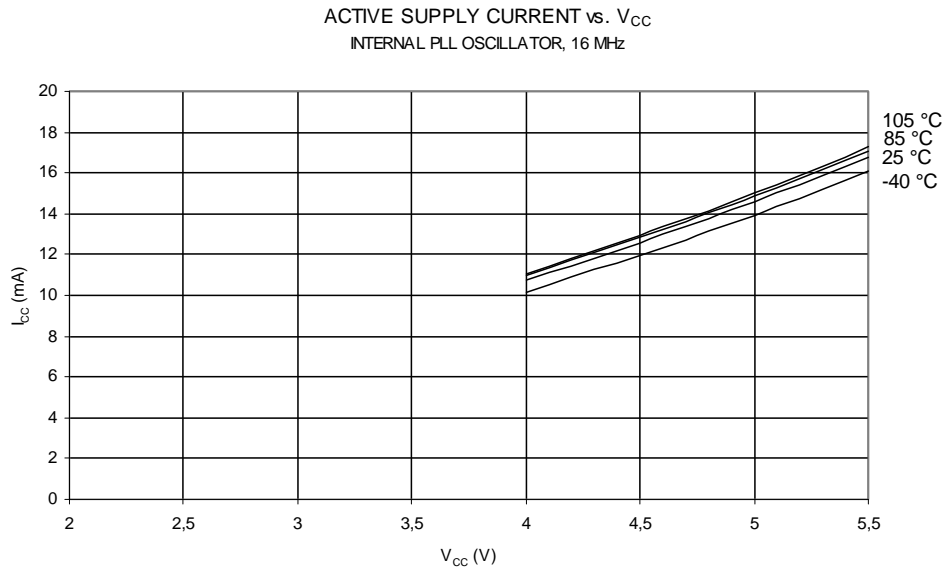
**Figure 27-2.** Active Supply Current vs. Frequency (1 - 24 MHz)



**Figure 27-3.** Active Supply Current vs.  $V_{CC}$  (Internal RC Oscillator, 8 MHz)



**Figure 27-4.** Active Supply Current vs.  $V_{CC}$  (Internal PLL Oscillator, 16 MHz)



## 27.2 Idle Supply Current

**Figure 27-5.** Idle Supply Current vs. Frequency (0.1 - 1.0 MHz)

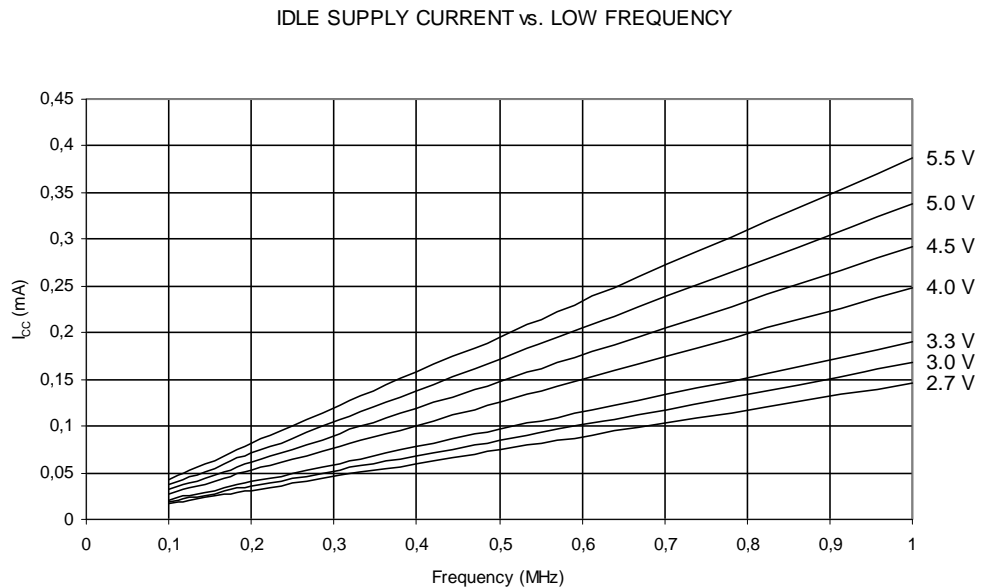


Figure 27-6. Idle Supply Current vs. Frequency (1 - 24 MHz)

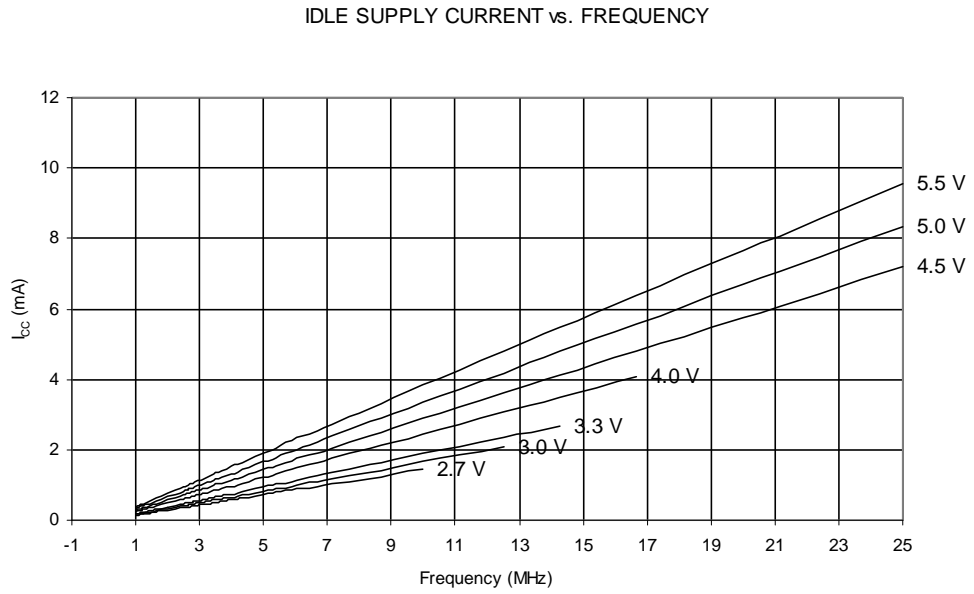
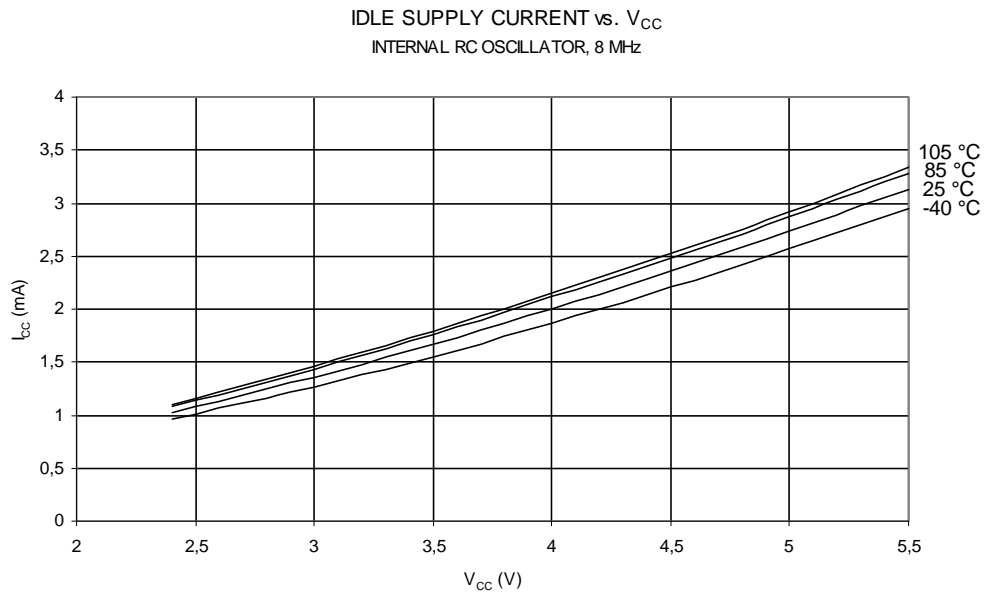
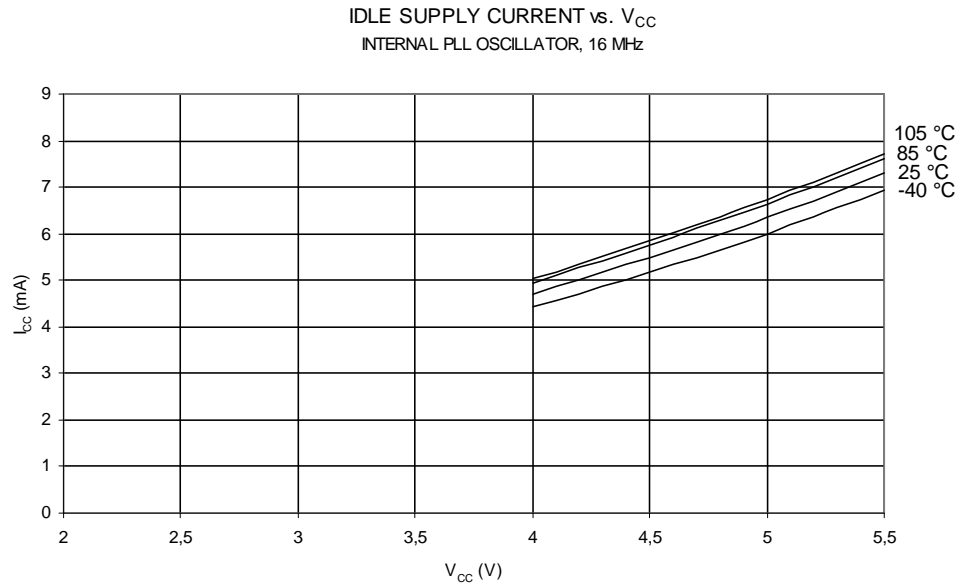


Figure 27-7. Idle Supply Current vs.  $V_{CC}$  (Internal RC Oscillator, 8 MHz)



**Figure 27-8.** Idle Supply Current vs.  $V_{CC}$  (Internal PLL Oscillator, 16 MHz)



### 27.2.1 Using the Power Reduction Register

The tables and formulas below can be used to calculate the additional current consumption for the different I/O modules in Active and Idle mode. The enabling or disabling of the I/O modules are controlled by the Power Reduction Register. See [“Power Reduction Register” on page 41](#) for details.

**Table 27-1.** Additional Current Consumption for the different I/O modules (absolute values°)

PRR bit	Typical numbers	
	$V_{CC} = 3V, F = 8MHz$	$V_{CC} = 5V, F = 16MHz$
PRPSC2	350 $\mu A$	1.3 mA
PRPSC1	350 $\mu A$	1.3 mA
PRPSC0	350 $\mu A$	1.3 mA
PRTIM1	300 $\mu A$	1.15 mA
PRTIM0	200 $\mu A$	0.75 mA
PRSPI	250 $\mu A$	0.9 mA
PRUSART	550 $\mu A$	2 mA
PRADC	350 $\mu A$	1.3 mA

**Table 27-2.** Additional Current Consumption (percentage) in Active and Idle mode

PRR bit	Additional Current consumption compared to Active with external clock (see <a href="#">Figure 27-1</a> and <a href="#">Figure 27-2</a> )	Additional Current consumption compared to Idle with external clock (see <a href="#">Figure 27-5</a> and <a href="#">Figure 27-6</a> )
PRPSC2	10%	25%
PRPSC1	10%	25%
PRPSC0	10%	25%
PRTIM1	8.5%	22%
PRTIM0	4.3%	11%
PRSPI	5.3%	14%
PRUSART	15.6	36
PRADC	10.5%	25%

It is possible to calculate the typical current consumption based on the numbers from [Table 27-2](#) for other  $V_{CC}$  and frequency settings than listed in [Table 27-1](#).

### 27.2.1.1 Example 1

Calculate the expected current consumption in idle mode with USART0, TIMER1, and SPI enabled at  $V_{CC} = 3.0V$  and  $F = 1MHz$ . From [Table 27-2](#), third column, we see that we need to add 18% for the USART0, 26% for the SPI, and 11% for the TIMER1 module. Reading from [Figure 27-5](#), we find that the idle current consumption is  $\sim 0.17mA$  at  $V_{CC} = 3.0V$  and  $F = 1MHz$ . The total current consumption in idle mode with USART0, TIMER1, and SPI enabled, gives:

$$I_{CCtotal} \approx 0.17mA \cdot (1 + 0.36 + 0.22 + 0.14) \approx 0.29mA$$

### 27.2.1.2 Example 2

Same conditions as in example 1, but in active mode instead. From [Table 27-2](#), second column we see that we need to add 3.3% for the USART0, 4.8% for the SPI, and 2.0% for the TIMER1 module. Reading from [Figure 27-1](#), we find that the active current consumption is  $\sim 0.6mA$  at  $V_{CC} = 3.0V$  and  $F = 1MHz$ . The total current consumption in idle mode with USART0, TIMER1, and SPI enabled, gives:

$$I_{CCtotal} \approx 0.6mA \cdot (1 + 0.156 + 0.085 + 0.053) \approx 0.77mA$$

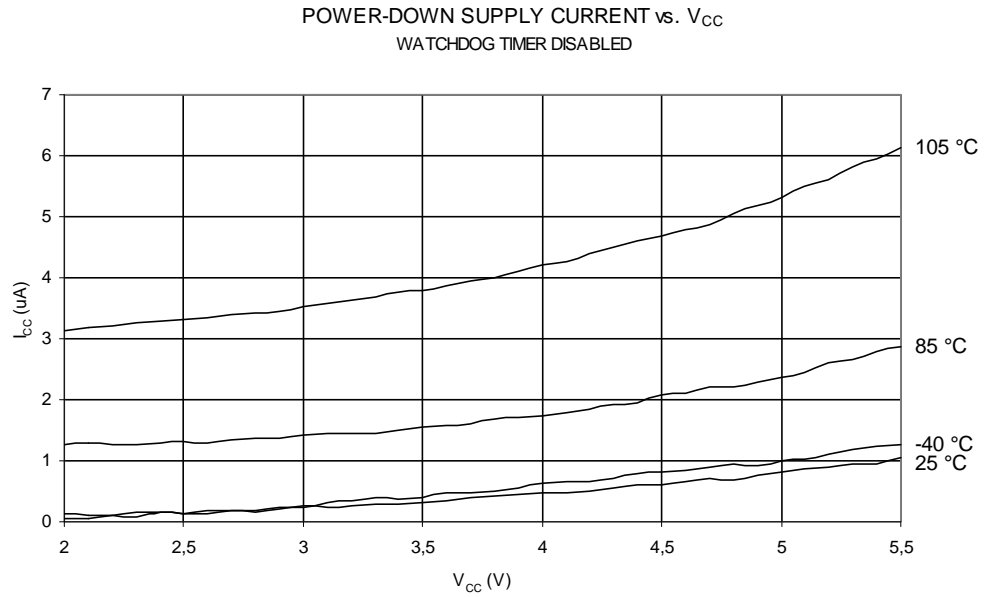
### 27.2.1.3 Example 3

All I/O modules should be enabled. Calculate the expected current consumption in active mode at  $V_{CC} = 3.6V$  and  $F = 10MHz$ . We find the active current consumption without the I/O modules to be  $\sim 7.0mA$  (from [Figure 27-2](#)). Then, by using the numbers from [Table 27-2](#) - second column, we find the total current consumption:

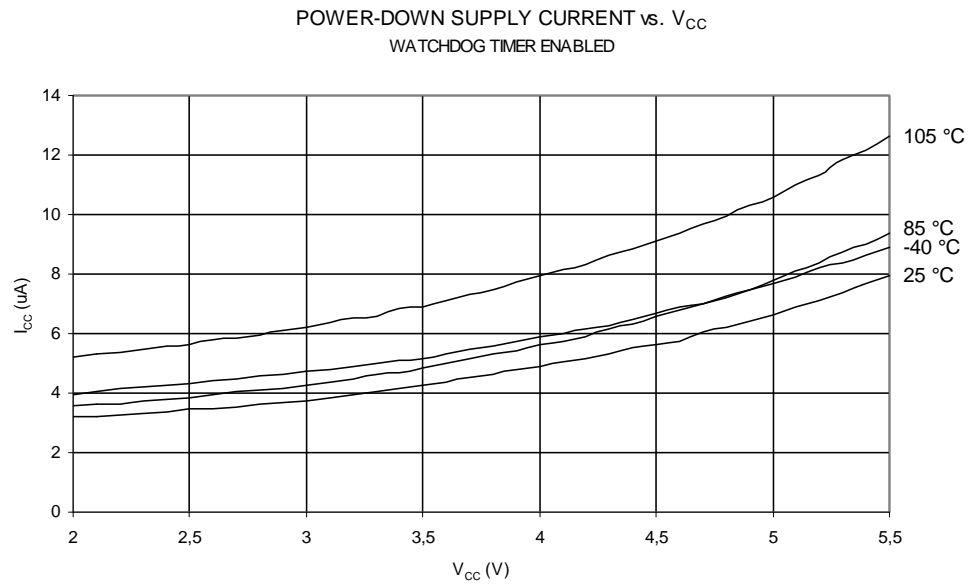
$$I_{CCtotal} \approx 7.0mA \cdot (1 + 0.1 + 0.1 + 0.1 + 0.085 + 0.043 + 0.053 + 0.156 + 0.105) \approx 12.2mA$$

## 27.3 Power-Down Supply Current

**Figure 27-9.** Power-Down Supply Current vs.  $V_{CC}$  (Watchdog Timer Disabled)

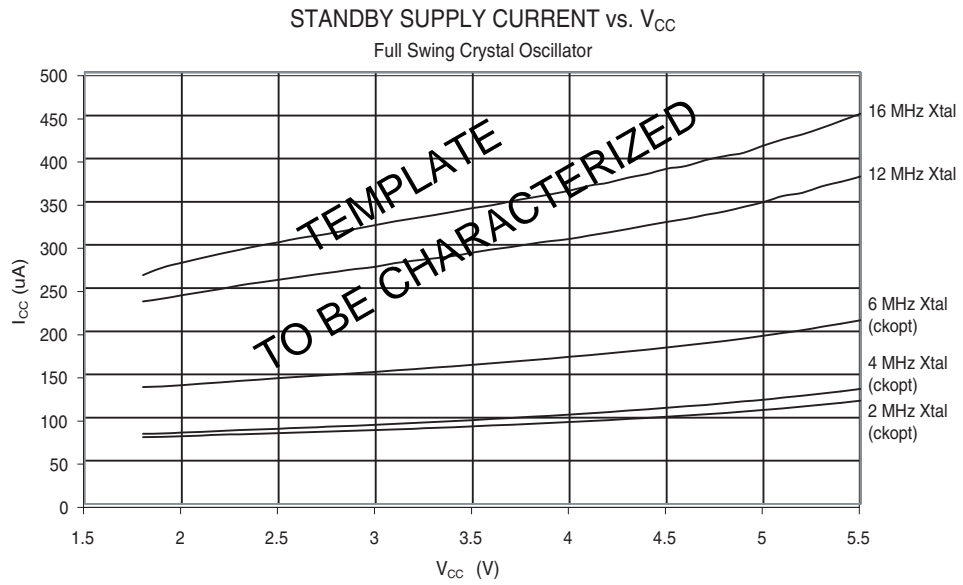


**Figure 27-10.** Power-Down Supply Current vs.  $V_{CC}$  (Watchdog Timer Enabled)



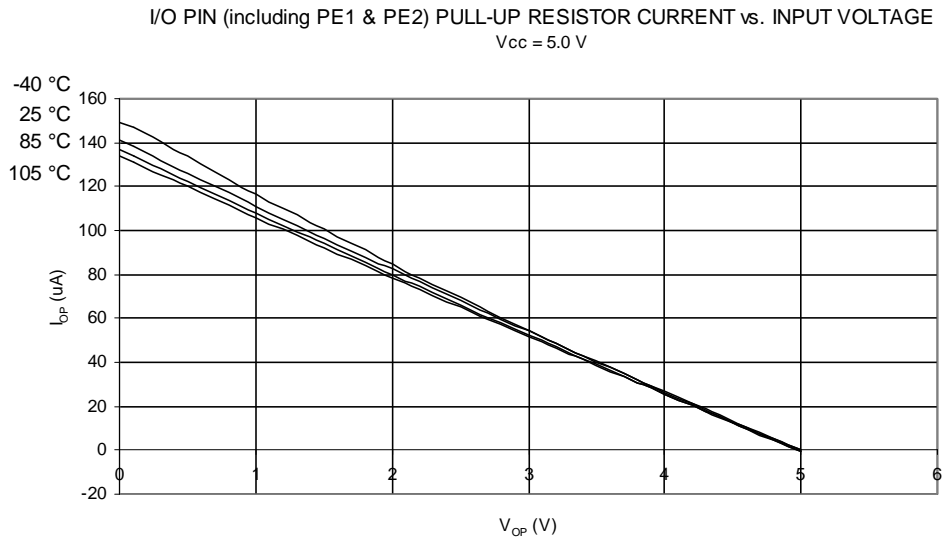
27.4 Standby Supply Current

Figure 27-11. Standby Supply Current vs.  $V_{CC}$  (Crystal Oscillator)



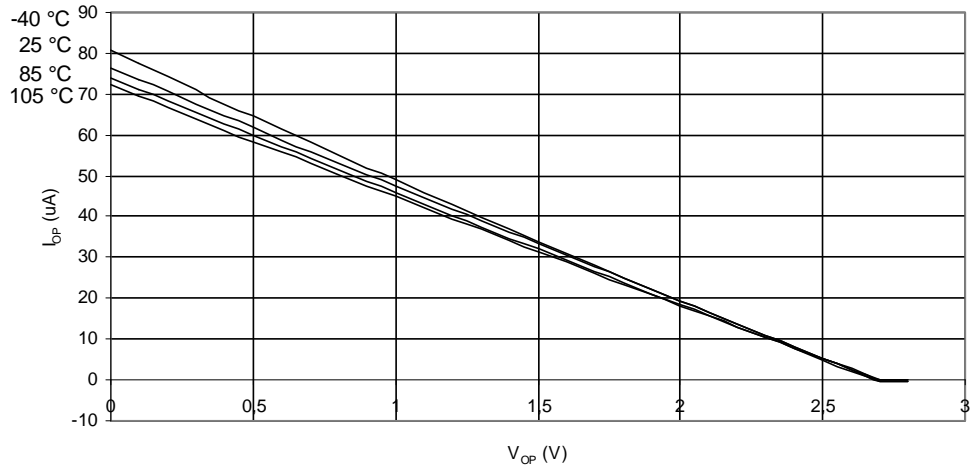
27.5 Pin Pull-up

Figure 27-12. I/O Pin Pull-Up Resistor Current vs. Input Voltage ( $V_{CC} = 5V$ )



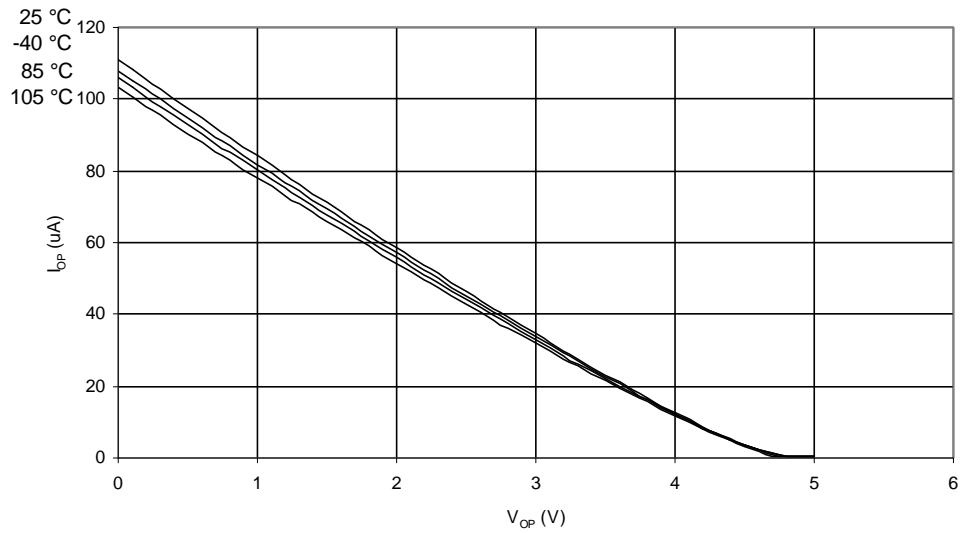
**Figure 27-13. I/O Pin Pull-Up Resistor Current vs. Input Voltage ( $V_{CC} = 2.7V$ )**

I/O PIN (including PE1 & PE2) PULL-UP RESISTOR CURRENT vs. INPUT VOLTAGE  
 $V_{CC} = 2.7V$



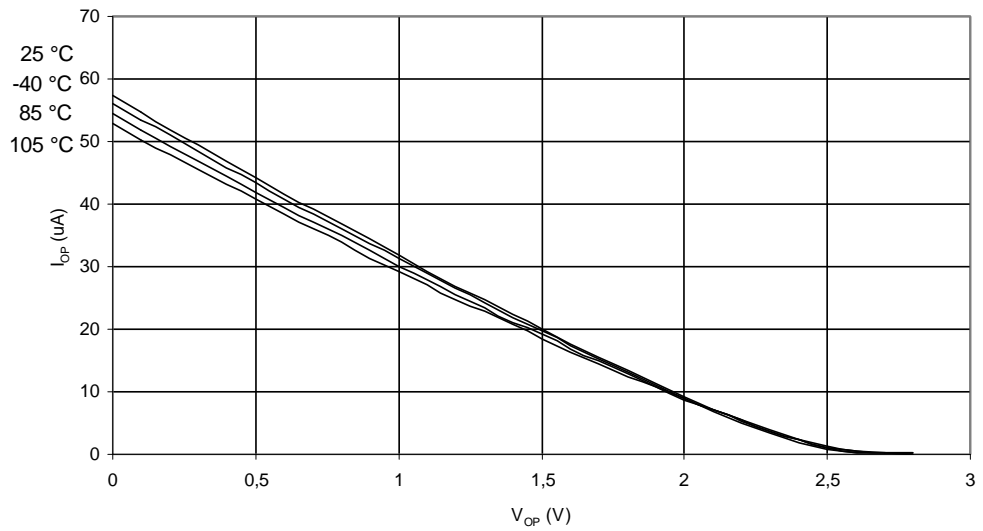
**Figure 27-14. Reset Pull-Up Resistor Current vs. Reset Pin Voltage ( $V_{CC} = 5V$ )**

PE0 and RESET PULL-UP RESISTOR CURRENT vs. INPUT VOLTAGE  
 $V_{CC} = 5.0V$



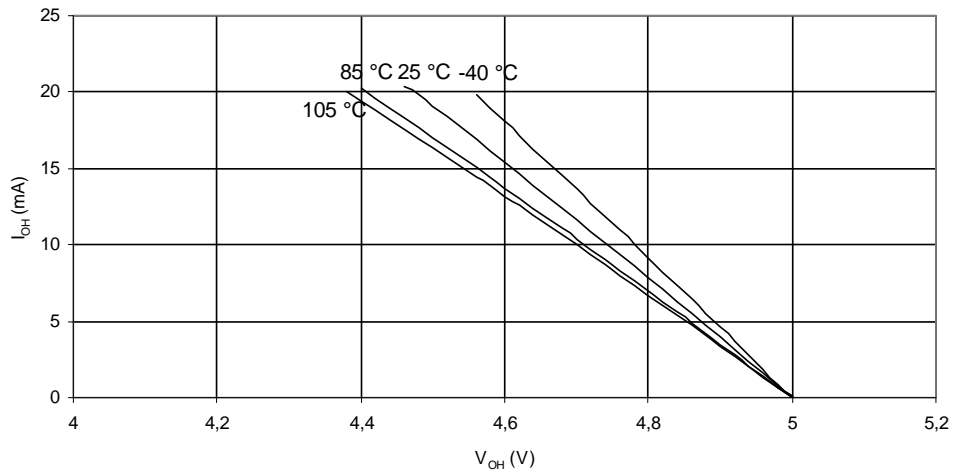


**Figure 27-15.** Reset Pull-Up Resistor Current vs. Reset Pin Voltage ( $V_{CC} = 2.7V$ )  
 PE0 and RESET PULL-UP RESISTOR CURRENT vs. INPUT VOLTAGE  
 $V_{CC} = 2.7 V$



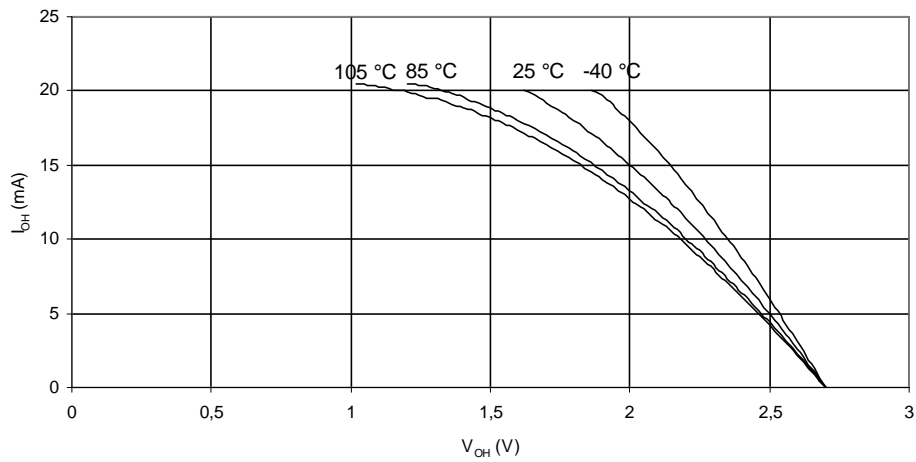
## 27.6 Pin Driver Strength

**Figure 27-16.** I/O Pin Source Current vs. Output Voltage ( $V_{CC} = 5V$ )  
 I/O PIN (including PE1 & PE2) SOURCE CURRENT vs. OUTPUT VOLTAGE  
 $V_{CC} = 5.0 V$



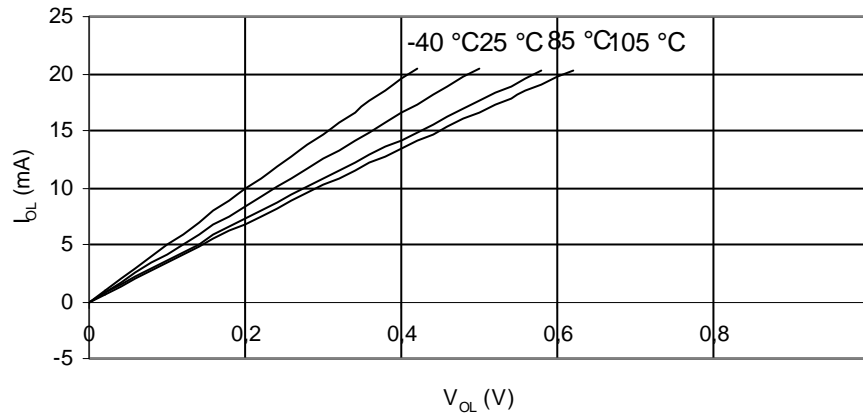
**Figure 27-17. I/O Pin Source Current vs. Output Voltage ( $V_{CC} = 2.7V$ )**

I/O PIN (including PE1 & PE2) SOURCE CURRENT vs. OUTPUT VOLTAGE  
 $V_{CC} = 2.7 V$



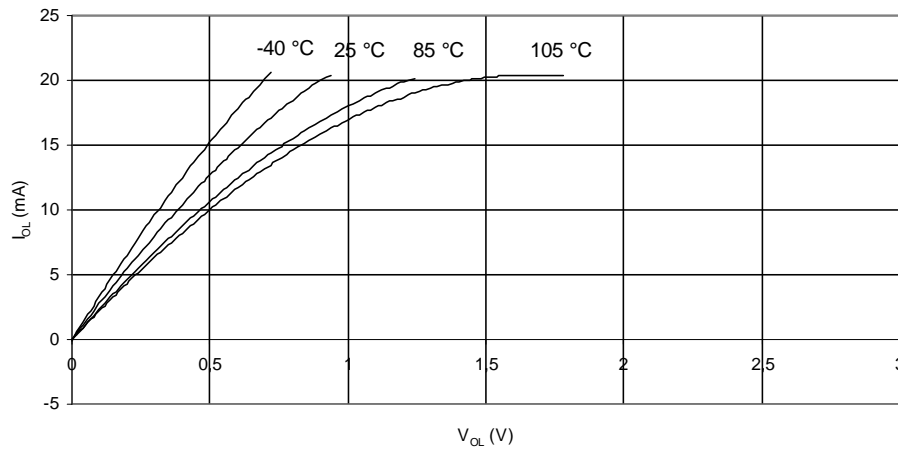
**Figure 27-18. I/O Pin Sink Current vs. Output Voltage ( $V_{CC} = 5V$ )**

I/O PIN (including PE1 & PE2) SINK CURRENT vs. OUTPUT VOLTAGE  
 $V_{CC} = 5.0 V$



**Figure 27-19.** I/O Pin Sink Current vs. Output Voltage ( $V_{CC} = 2.7V$ )

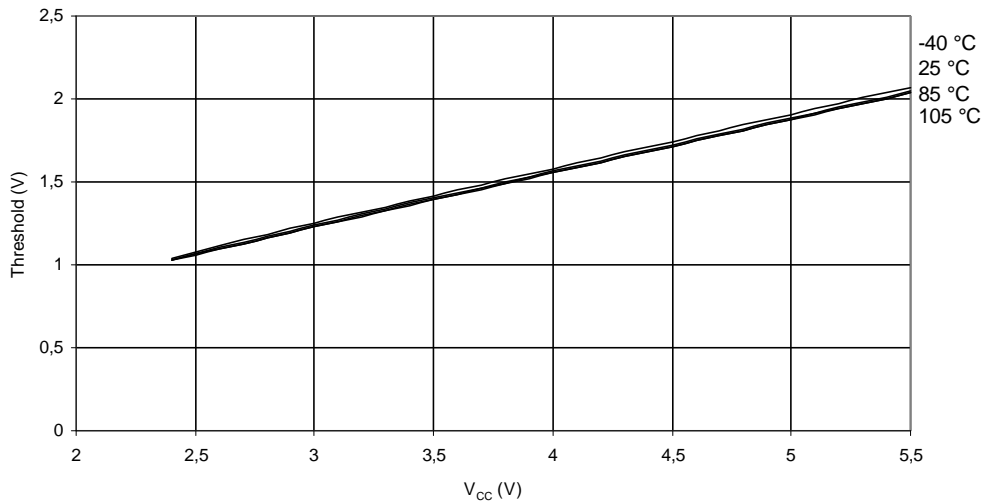
I/O PIN (including PE1 & PE2) SINK CURRENT vs. OUTPUT VOLTAGE  
 $V_{CC} = 2.7V$



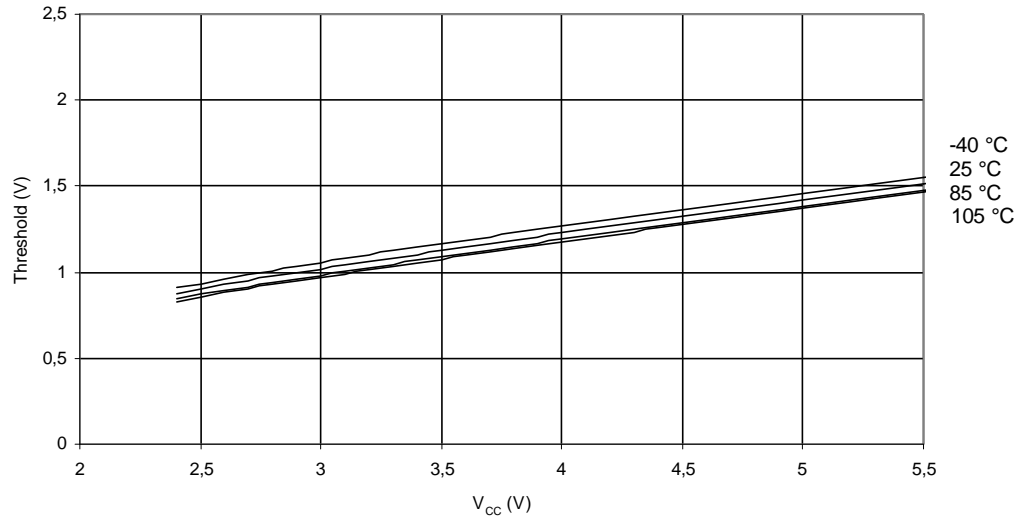
## 27.7 Pin Thresholds and Hysteresis

**Figure 27-20.** I/O Pin Input Threshold Voltage vs.  $V_{CC}$  ( $V_{IH}$ , I/O Pin Read As '1')

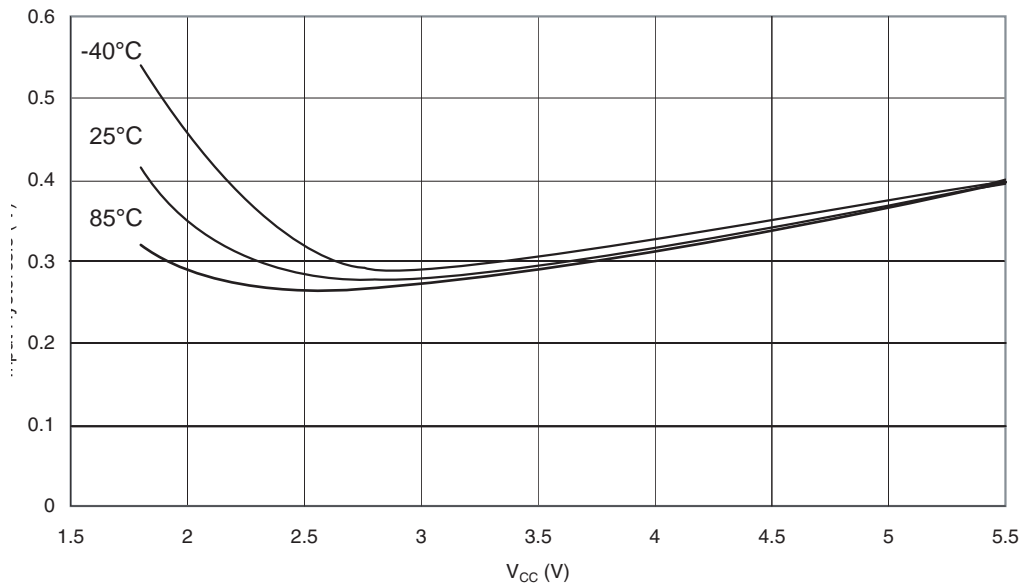
I/O PIN (including PE1 & PE2) INPUT THRESHOLD VOLTAGE vs.  $V_{CC}$   
 $V_{IH}$ , I/O PIN READ AS '1'



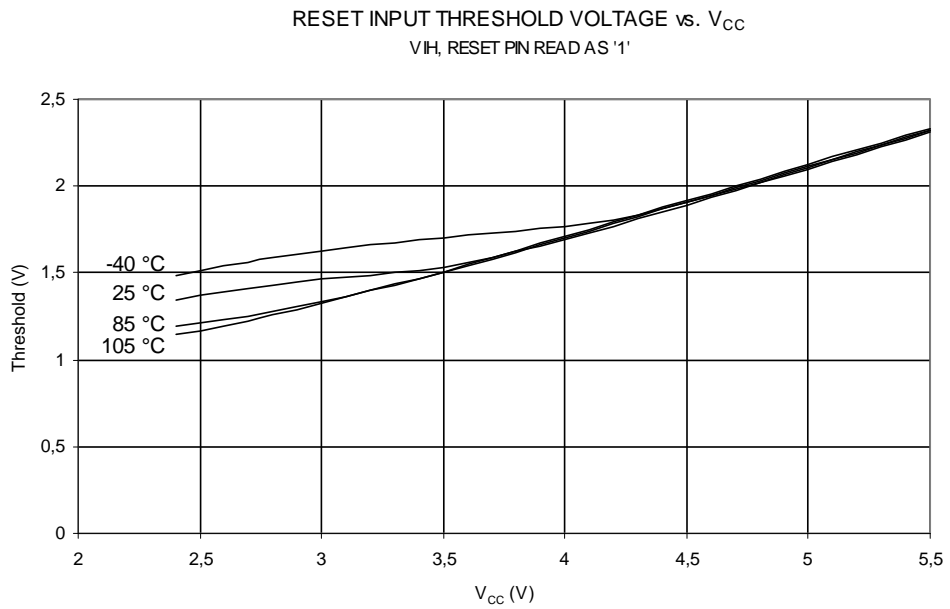
**Figure 27-21. I/O Pin Input Threshold Voltage vs.  $V_{CC}$  (VIL, I/O Pin Read As '0')**  
 I/O PIN (including PE1 & PE2) INPUT THRESHOLD VOLTAGE vs.  $V_{CC}$   
 VIL, IO PIN READ AS '0'



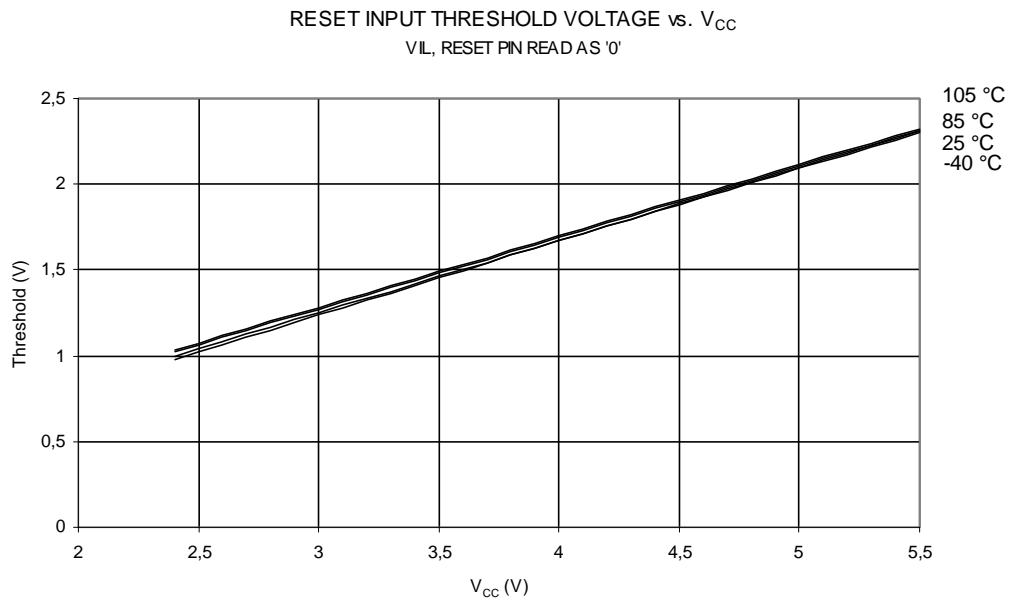
**Figure 27-22. I/O Pin Input Hysteresis Voltage vs.  $V_{CC}$**   
 I/O PIN INPUT HYSTERESIS vs.  $V_{CC}$



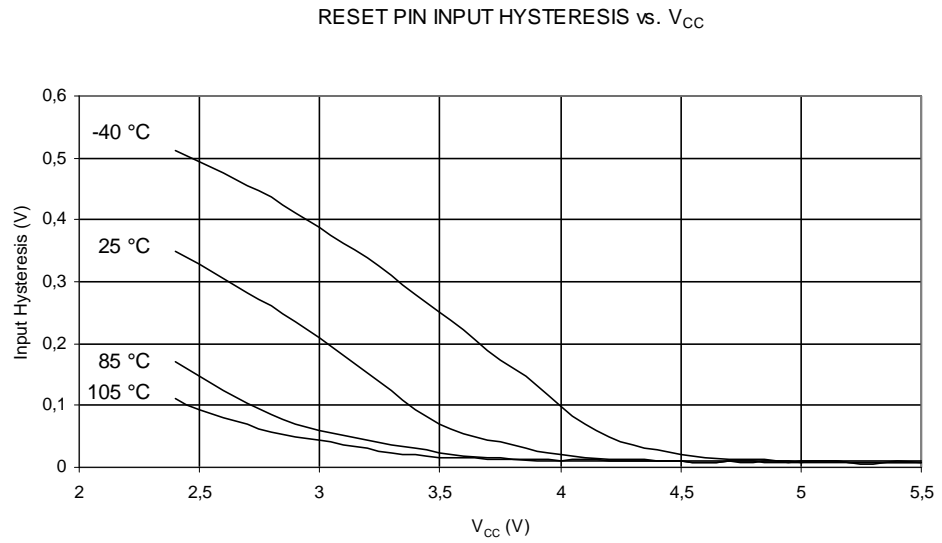
**Figure 27-23.** Reset Input Threshold Voltage vs.  $V_{CC}$  ( $V_{IH}$ , Reset Pin Read As '1')



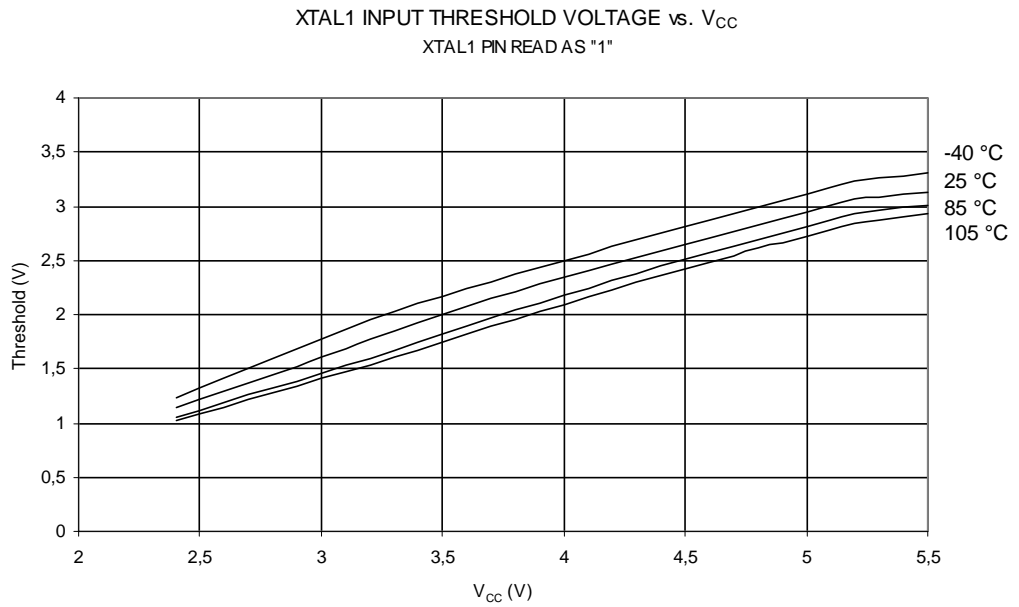
**Figure 27-24.** Reset Input Threshold Voltage vs.  $V_{CC}$  ( $V_{IL}$ , Reset Pin Read As '0')



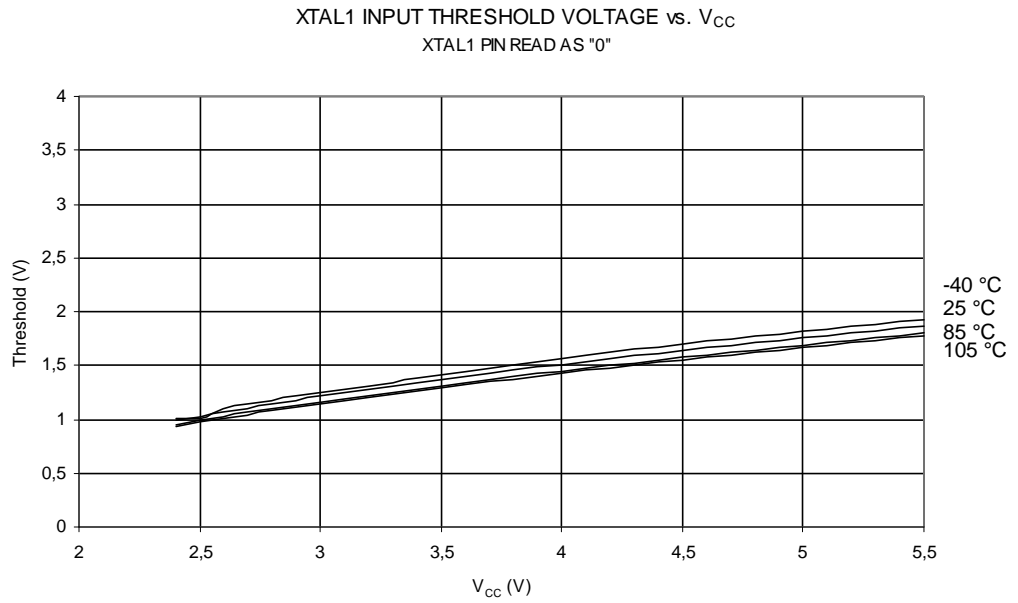
**Figure 27-25.** Reset Input Pin Hysteresis vs.  $V_{CC}$



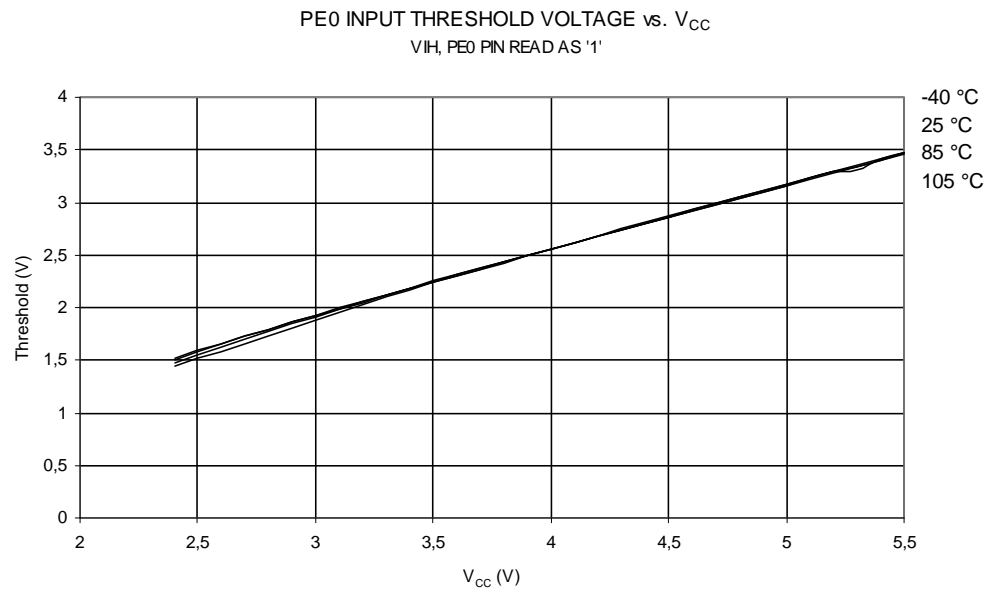
**Figure 27-26.** XTAL1 Input Threshold Voltage vs.  $V_{CC}$  (XTAL1 Pin Read As '1')



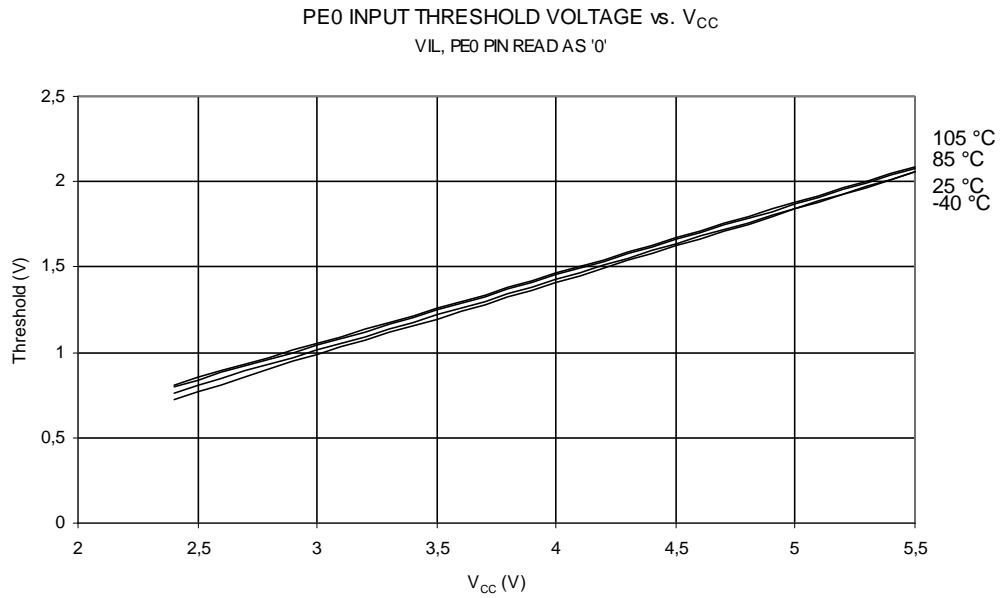
**Figure 27-27.** XTAL1 Input Threshold Voltage vs.  $V_{CC}$  (XTAL1 Pin Read As '0')



**Figure 27-28.** PE0 Input Threshold Voltage vs.  $V_{CC}$  (PE0 Pin Read As '1')

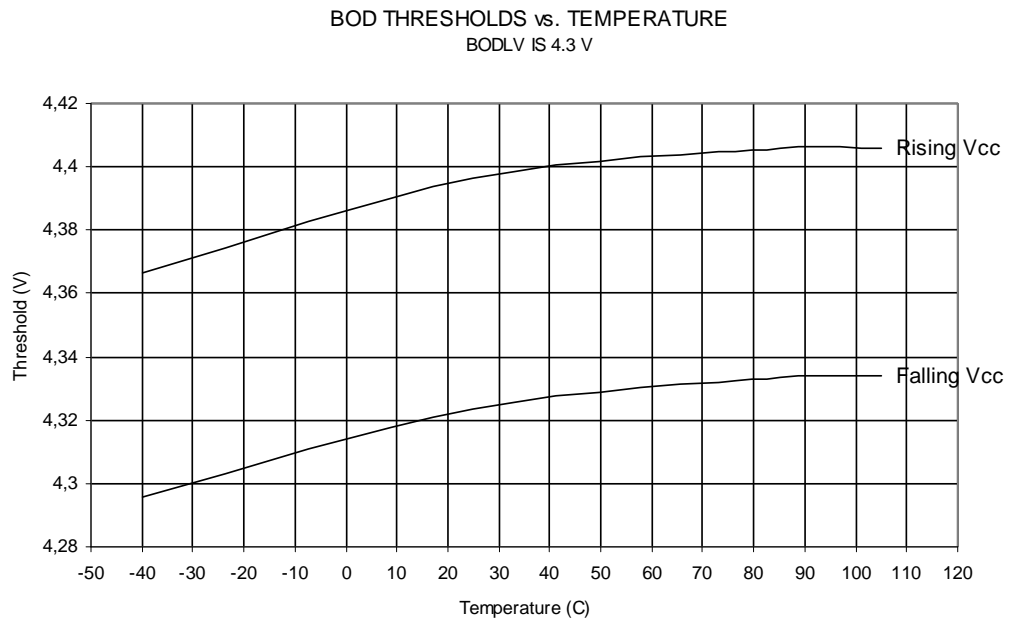


**Figure 27-29.** PE0 Input Threshold Voltage vs.  $V_{CC}$  (PE0 Pin Read As '0')



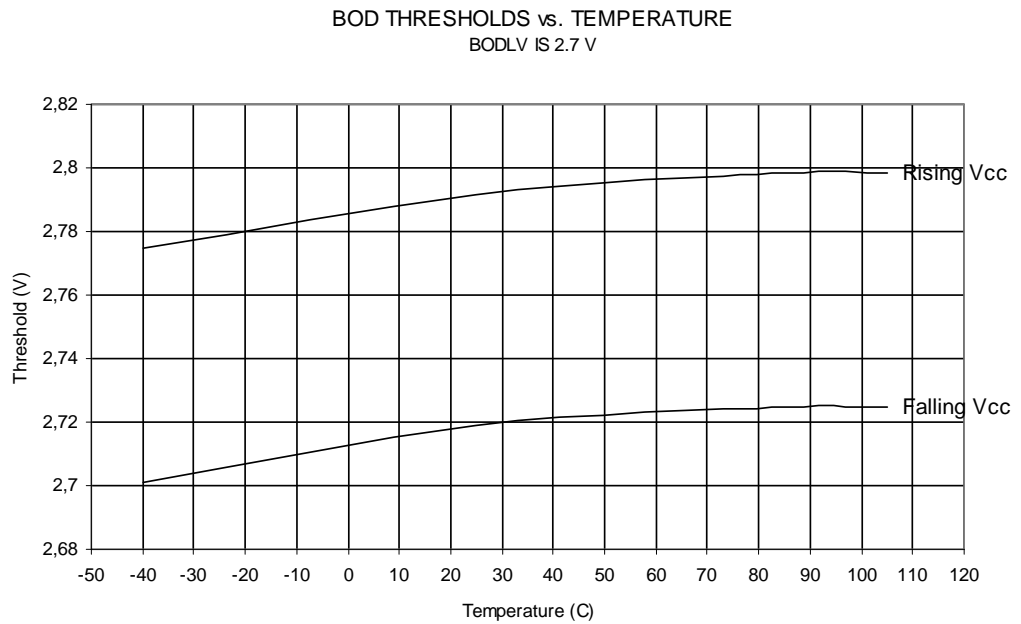
## 27.8 BOD Thresholds and Analog Comparator Offset

**Figure 27-30.** BOD Thresholds vs. Temperature (BODLEVEL Is 4.3V)

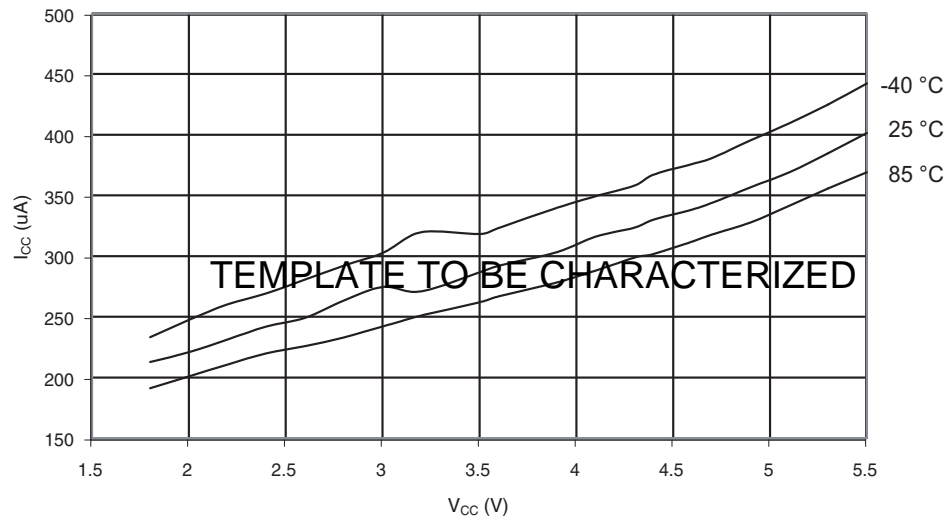




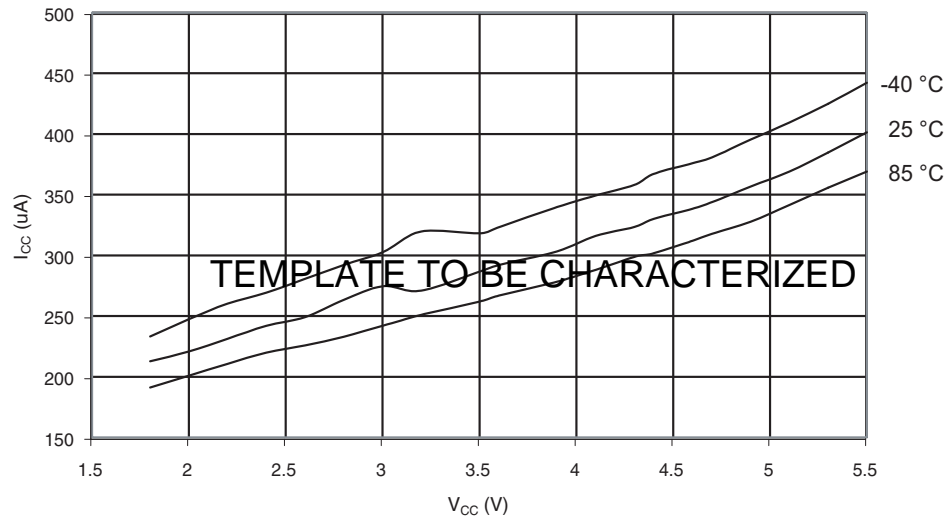
**Figure 27-31.** BOD Thresholds vs. Temperature (BODLEVEL Is 2.7V)



**Figure 27-32.** Analog Comparator Offset Voltage vs. Common Mode Voltage ( $V_{CC}=5V$ )



**Figure 27-33.** Analog Comparator Offset Voltage vs. Common Mode Voltage ( $V_{CC}=3V$ )



## 27.9 Analog Reference

**Figure 27-34.** AREF Voltage vs.  $V_{CC}$

AREF VOLTAGE vs.  $V_{CC}$

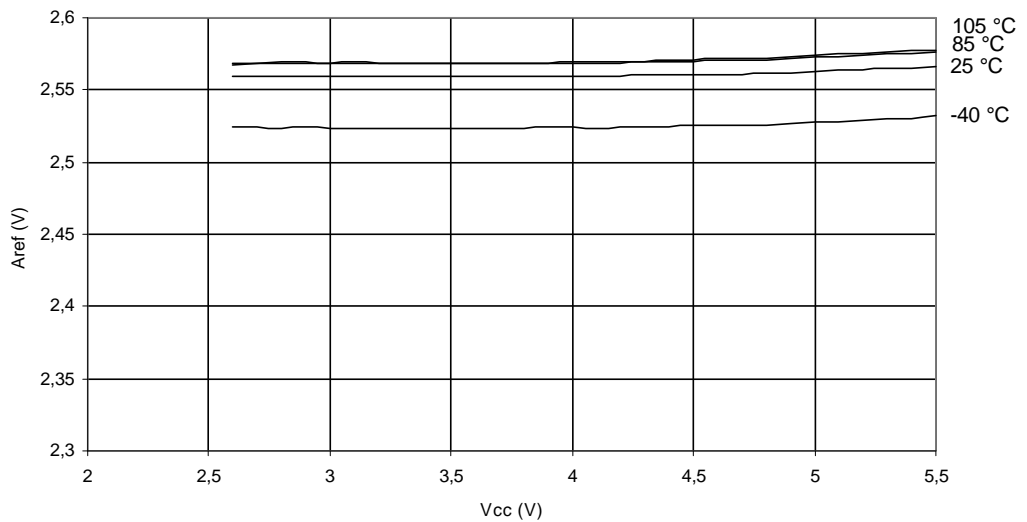
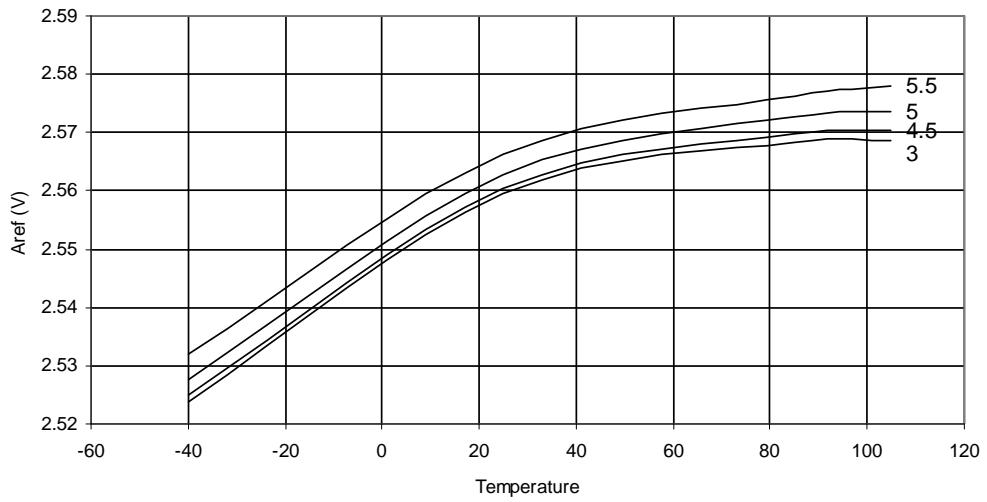


Figure 27-35. AREF Voltage vs. Temperature

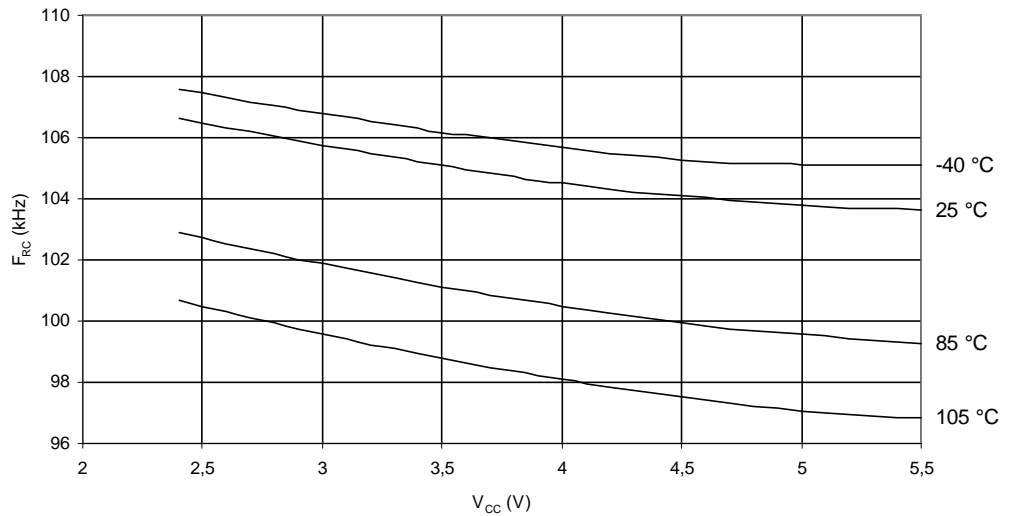
AREF VOLTAGE vs. TEMPERATURE



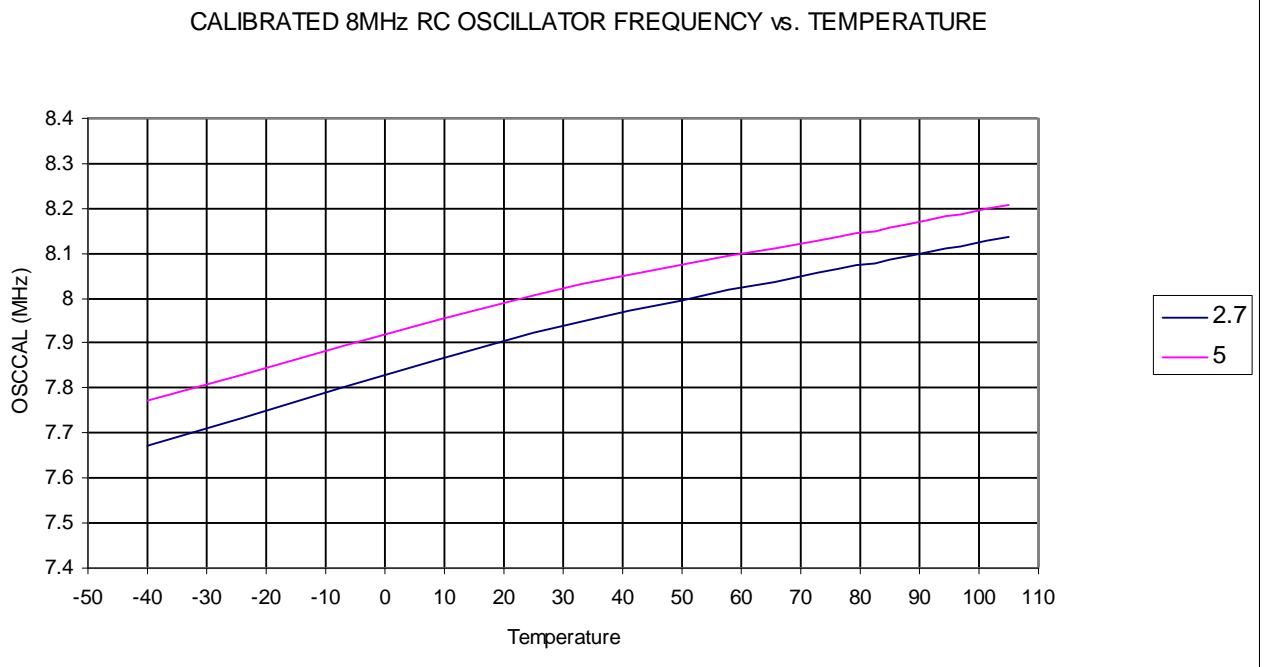
### 27.10 Internal Oscillator Speed

Figure 27-36. Watchdog Oscillator Frequency vs.  $V_{CC}$

WATCHDOG OSCILLATOR FREQUENCY vs. OPERATING VOLTAGE



**Figure 27-37.** Calibrated 8 MHz RC Oscillator Frequency vs. Temperature



**Figure 27-38.** Calibrated 8 MHz RC Oscillator Frequency vs.  $V_{CC}$

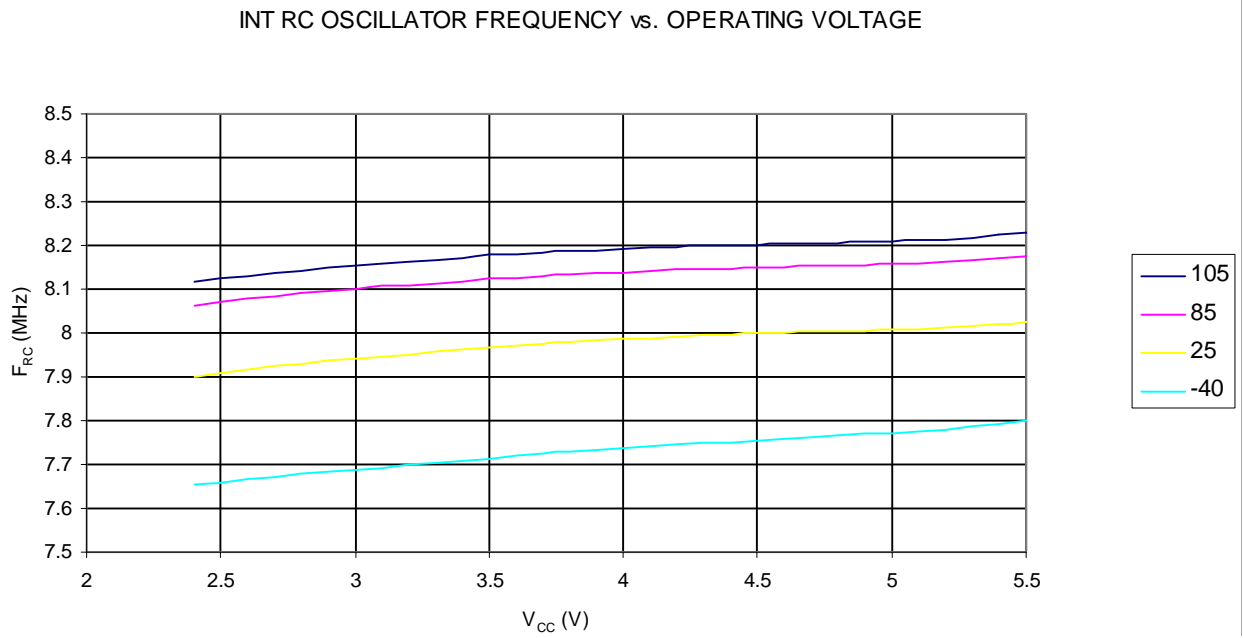
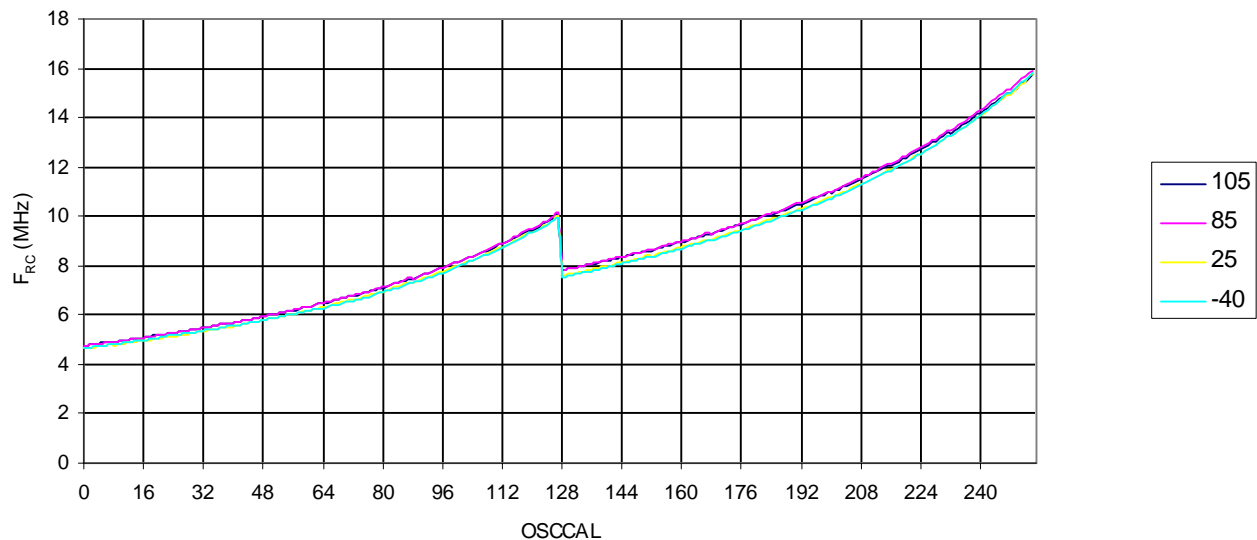


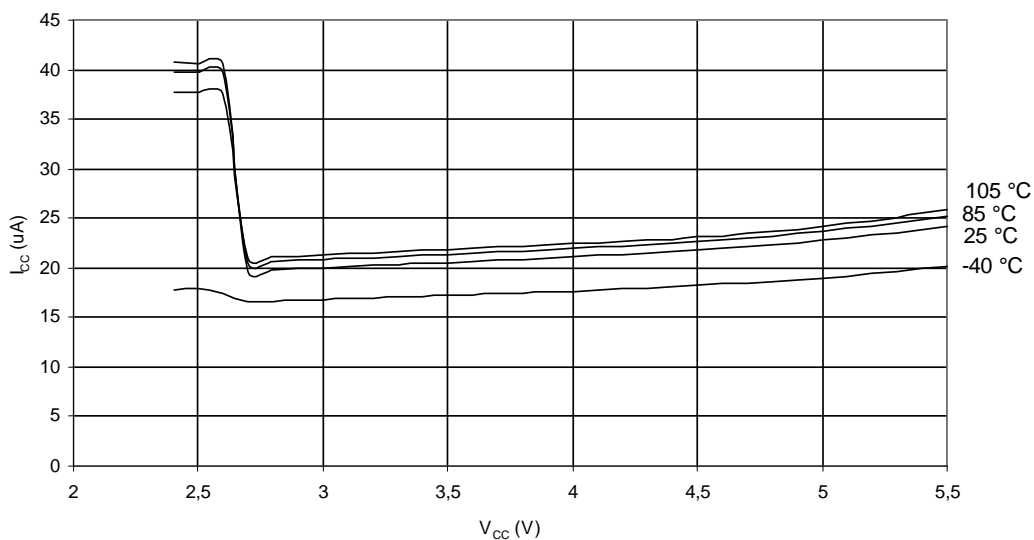
Figure 27-39. Calibrated 8 MHz RC Oscillator Frequency vs. Oscscal Value



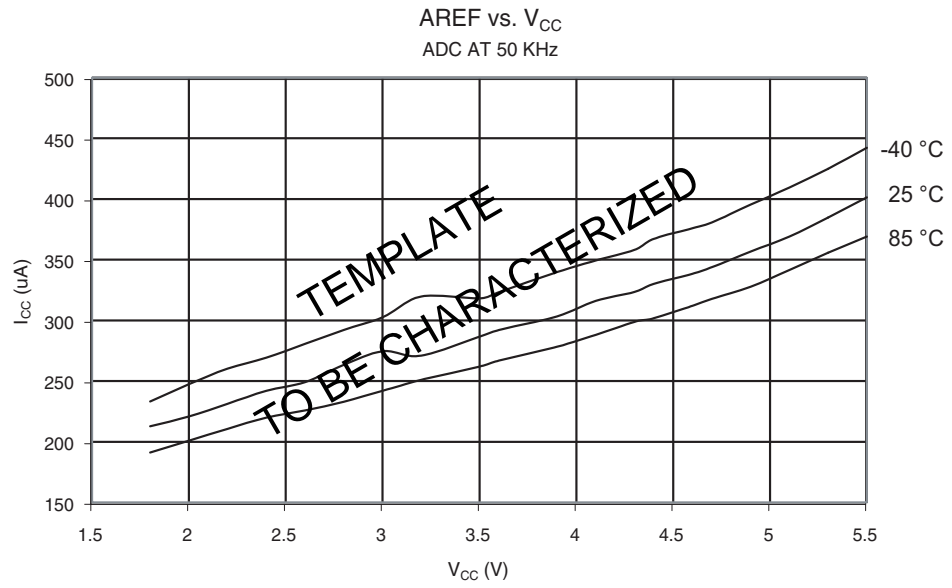
### 27.11 Current Consumption of Peripheral Units

Figure 27-40. Brownout Detector Current vs.  $V_{CC}$

BROWNOUT DETECTOR CURRENT vs.  $V_{CC}$



**Figure 27-41.** ADC Current vs.  $V_{CC}$  (ADC at 50 kHz)



**Figure 27-42.** Aref Current vs.  $V_{CC}$  (ADC at 1 MHz)

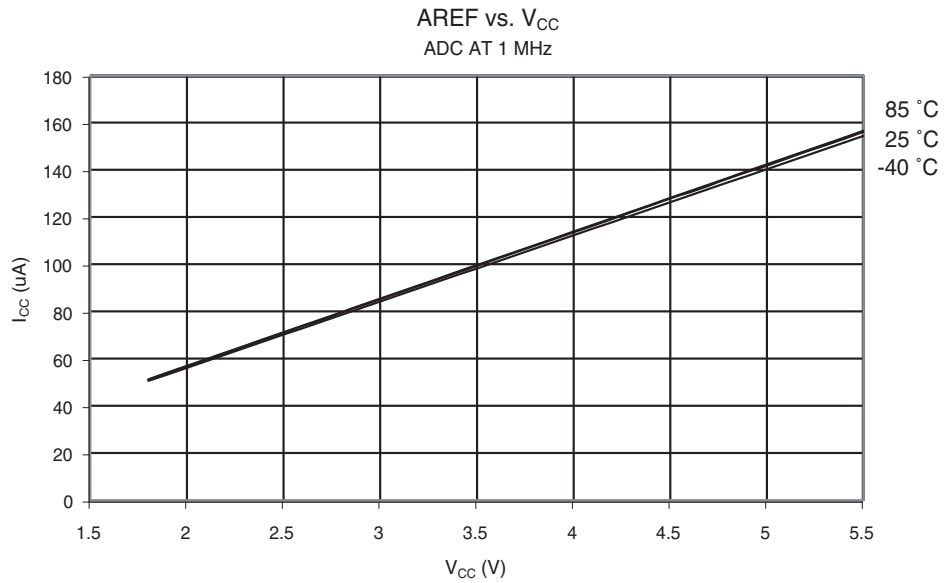


Figure 27-43. Analog Comparator Current vs.  $V_{CC}$

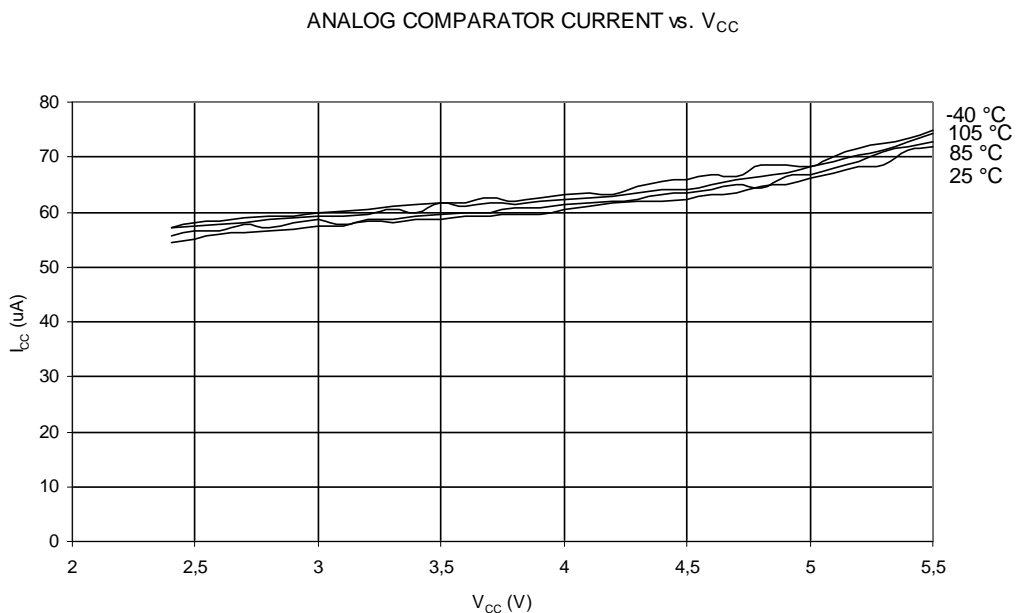
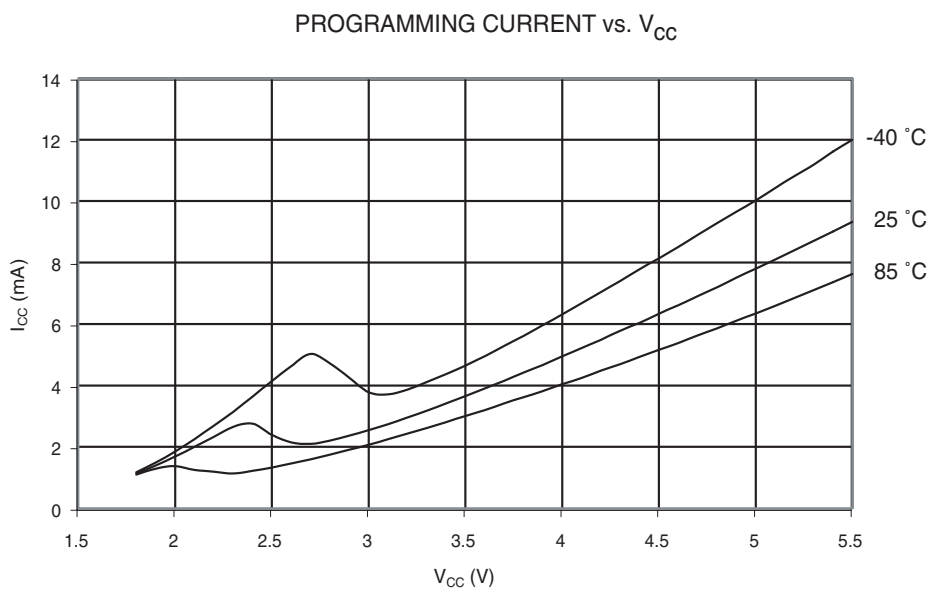
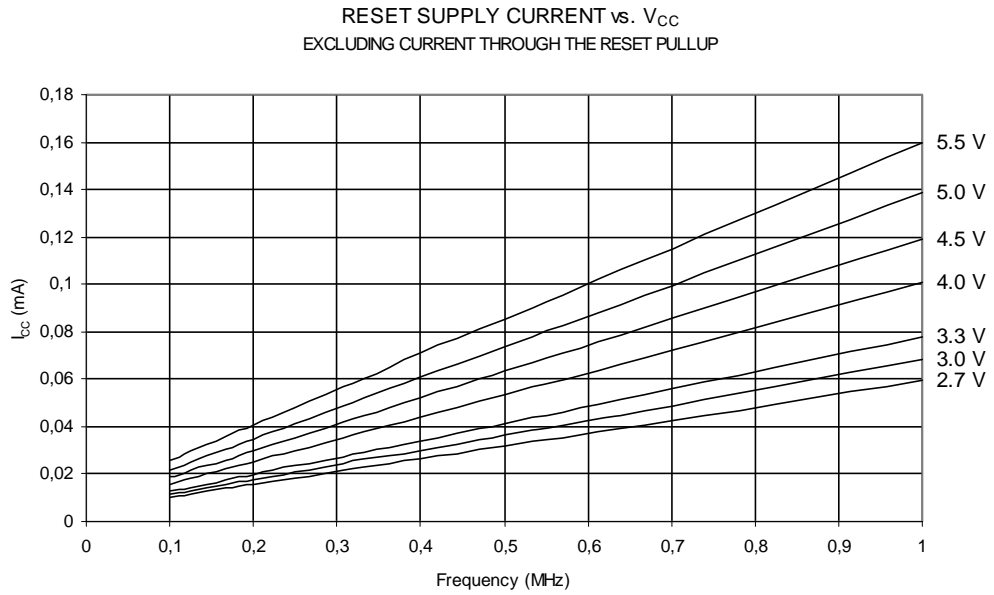


Figure 27-44. Programming Current vs.  $V_{CC}$

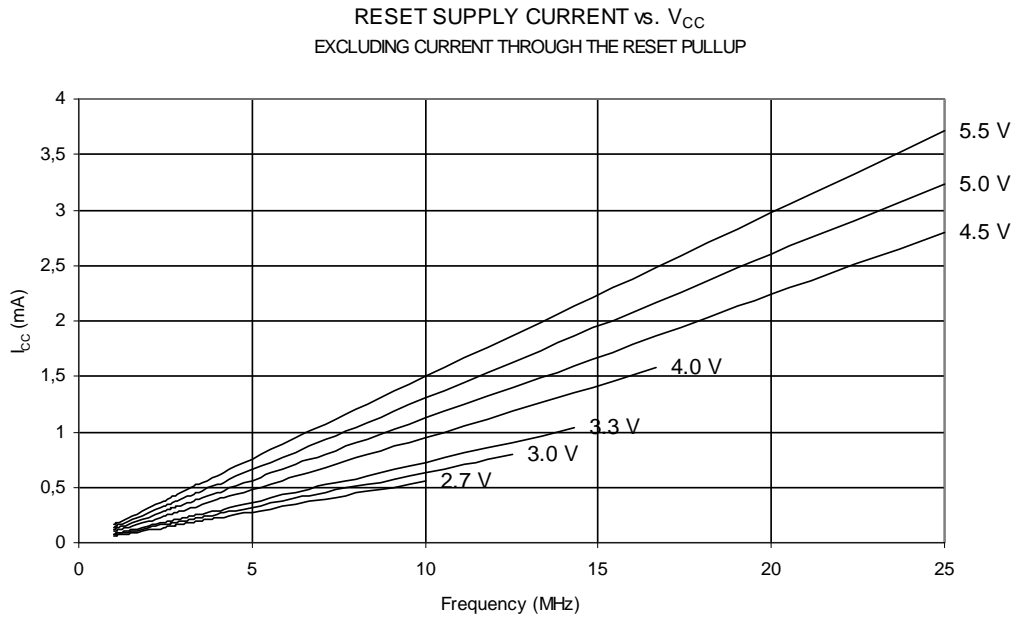


## 27.12 Current Consumption in Reset and Reset Pulse width

**Figure 27-45.** Reset Supply Current vs.  $V_{CC}$  (0.1 - 1.0 MHz, Excluding Current through the Reset Pull-up)

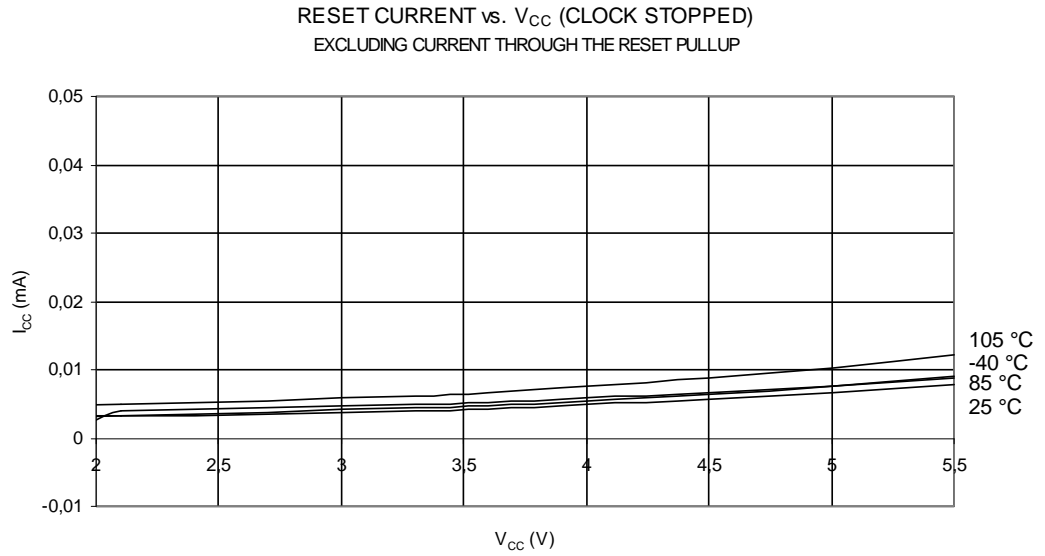


**Figure 27-46.** Reset Supply Current vs.  $V_{CC}$  (1 - 24 MHz, Excluding Current through the Reset Pull-up)

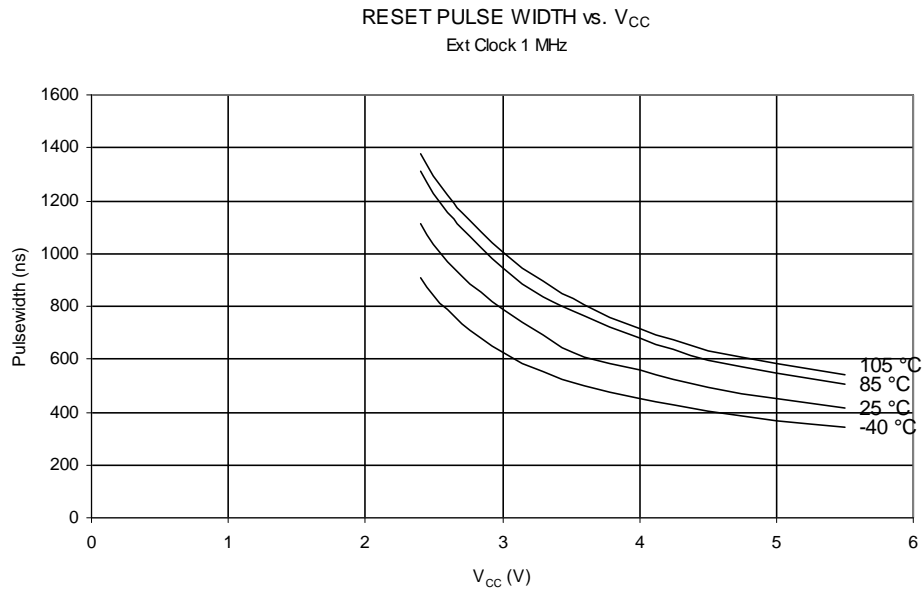




**Figure 27-47.** Reset Supply Current vs.  $V_{CC}$  (Clock Stopped, Excluding Current through the Reset Pull-up)



**Figure 27-48.** Reset Pulse Width vs.  $V_{CC}$



## 28. Register Summary

Address	Name	Bit 7	Bit 6	Bit 5	Bit 4	Bit 3	Bit 2	Bit 1	Bit 0	Page
(0xFF)	PICR2H									page 171
(0xFE)	PICR2L									page 171
(0xFD)	PFRC2B	PCAE2B	PISEL2B	PELEV2B	PFLTE2B	PRFM2B3	PRFM2B2	PRFM2B1	PRFM2B0	page 169
(0xFC)	PFRC2A	PCAE2A	PISEL2A	PELEV2A	PFLTE2A	PRFM2A3	PRFM2A2	PRFM2A1	PRFM2A0	page 169
(0xFB)	PCTL2	PPRE21	PPRE20	PBFM2	PAOC2B	PAOC2A	PARUN2	PCCYC2	PRUN2	page 168
(0xFA)	PCNF2	PFIFTY2	PALOCK2	PLOCK2	PMODE21	PMODE20	POP2	PCLKSEL2	POME2	page 165
(0xF9)	OCR2RBH									page 164
(0xF8)	OCR2RBL									page 164
(0xF7)	OCR2SBH									page 164
(0xF6)	OCR2SBL									page 164
(0xF5)	OCR2RAH									page 164
(0xF4)	OCR2RAL									page 164
(0xF3)	OCR2SAH									page 164
(0xF2)	OCR2SAL									page 164
(0xF1)	POM2	POMV2B3	POMV2B2	POMV2B1	POMV2B0	POMV2A3	POMV2A2	POMV2A1	POMV2A0	page 171
(0xF0)	PSOC2	POS23	POS22	PSYNC21	PSYNC20	POEN2D	POEN2B	POEN2C	POEN2A	page 163
(0xEF)	PICR1H									page 171
(0xEE)	PICR1L									page 171
(0xED)	PFRC1B	PCAE1B	PISEL1B	PELEV1B	PFLTE1B	PRFM1B3	PRFM1B2	PRFM1B1	PRFM1B0	page 169
(0xEC)	PFRC1A	PCAE1A	PISEL1A	PELEV1A	PFLTE1A	PRFM1A3	PRFM1A2	PRFM1A1	PRFM1A0	page 169
(0xEB)	PCTL1	PPRE11	PPRE10	PBFM1	PAOC1B	PAOC1A	PARUN1	PCCYC1	PRUN1	page 167
(0xEA)	PCNF1	PFIFTY1	PALOCK1	PLOCK1	PMODE11	PMODE10	POP1	PCLKSEL1	-	page 165
(0xE9)	OCR1RBH									page 164
(0xE8)	OCR1RBL									page 164
(0xE7)	OCR1SBH									page 164
(0xE6)	OCR1SBL									page 164
(0xE5)	OCR1RAH									page 164
(0xE4)	OCR1RAL									page 164
(0xE3)	OCR1SAH									page 164
(0xE2)	OCR1SAL									page 164
(0xE1)	Reserved	-	-	-	-	-	-	-	-	
(0xE0)	PSOC1	-	-	PSYNC11	PSYNC10	-	POEN1B	-	POEN1A	page 163
(0xDF)	PICR0H									page 170
(0xDE)	PICR0L									page 170
(0xDD)	PFRC0B	PCAE0B	PISEL0B	PELEV0B	PFLTE0B	PRFM0B3	PRFM0B2	PRFM0B1	PRFM0B0	page 169
(0xDC)	PFRC0A	PCAE0A	PISEL0A	PELEV0A	PFLTE0A	PRFM0A3	PRFM0A2	PRFM0A1	PRFM0A0	page 169
(0xDB)	PCTL0	PPRE01	PPRE00	PBFM0	PAOC0B	PAOC0A	PARUN0	PCCYC0	PRUN0	page 166
(0xDA)	PCNF0	PFIFTY0	PALOCK0	PLOCK0	PMODE01	PMODE00	POP0	PCLKSEL0	-	page 165
(0xD9)	OCR0RBH									page 164
(0xD8)	OCR0RBL									page 164
(0xD7)	OCR0SBH									page 164
(0xD6)	OCR0SBL									page 164
(0xD5)	OCR0RAH									page 164
(0xD4)	OCR0RAL									page 164
(0xD3)	OCR0SAH									page 164
(0xD2)	OCR0SAL									page 164
(0xD1)	Reserved	-	-	-	-	-	-	-	-	
(0xD0)	PSOC0	-	-	PSYNC01	PSYNC00	-	POEN0B	-	POEN0A	page 163
(0xCF)	Reserved	-	-	-	-	-	-	-	-	
(0xCE)	EUDR	EUDR7	EUDR6	EUDR5	EUDR4	EUDR3	EUDR2	EUDR1	EUDR0	page 222
(0xCD)	MUBRRH	MUBRR15	MUBRR014	MUBRR13	MUBRR12	MUBRR011	MUBRR010	MUBRR9	MUBRR8	page 227
(0xCC)	MUBRRL	MUBRR7	MUBRR6	MUBRR5	MUBRR4	MUBRR3	MUBRR2	MUBRR1	MUBRR0	page 227
(0xCB)	Reserved	-	-	-	-	-	-	-	-	
(0xCA)	EUCSRC	-	-	-	-	FEM	F1617	STP1	STP0	page 226
(0xC9)	EUCSRB	-	-	-	EUSART	EUSBS	-	EMCH	BODR	page 225
(0xC8)	EUCSRA	UTxS3	UTxS2	UTxS1	UTxS0	URxS3	URxS2	URxS1	URxS0	page 224
(0xC7)	Reserved	-	-	-	-	-	-	-	-	
(0xC6)	UDR	UDR07	UDR06	UDR05	UDR04	UDR03	UDR02	UDR01	UDR00	page 222 & page 203
(0xC5)	UBRRH	-	-	-	-	UBRR011	UBRR010	UBRR09	UBRR08	page 208
(0xC4)	UBRRL	UBRR07	UBRR06	UBRR05	UBRR04	UBRR03	UBRR02	UBRR01	UBRR00	page 208
(0xC3)	Reserved	-	-	-	-	-	-	-	-	
(0xC2)	UCSRC	-	UMSEL0	UPM01	UPM00	USBS0	UCSZ01	UCSZ00	UCPOL0	page 206
(0xC1)	UCSRB	RXCIE0	TXCIE0	UDRIE0	RXEN0	TXEN0	UCSZ02	RXB80	TXB80	page 205
(0xC0)	UCSRA	RXC0	TXC0	UDRE0	FE0	DOR0	UPE0	U2X0	MPCM0	page 204
(0xBF)	Reserved	-	-	-	-	-	-	-	-	

Address	Name	Bit 7	Bit 6	Bit 5	Bit 4	Bit 3	Bit 2	Bit 1	Bit 0	Page
(0xBE)	Reserved	-	-	-	-	-	-	-	-	
(0xBD)	Reserved	-	-	-	-	-	-	-	-	
(0xBC)	Reserved	-	-	-	-	-	-	-	-	
(0xBB)	Reserved	-	-	-	-	-	-	-	-	
(0xBA)	Reserved	-	-	-	-	-	-	-	-	
(0xB9)	Reserved	-	-	-	-	-	-	-	-	
(0xB8)	Reserved	-	-	-	-	-	-	-	-	
(0xB7)	Reserved	-	-	-	-	-	-	-	-	
(0xB6)	Reserved	-	-	-	-	-	-	-	-	
(0xB5)	Reserved	-	-	-	-	-	-	-	-	
(0xB4)	Reserved	-	-	-	-	-	-	-	-	
(0xB3)	Reserved	-	-	-	-	-	-	-	-	
(0xB2)	Reserved	-	-	-	-	-	-	-	-	
(0xB1)	Reserved	-	-	-	-	-	-	-	-	
(0xB0)	Reserved	-	-	-	-	-	-	-	-	
(0xAF)	AC2CON	AC2EN	AC2IE	AC2IS1	AC2IS0	AC2SADE-	AC2M2	AC2M1	AC2M0	<a href="#">page 232</a>
(0xAE)	AC1CON	AC1EN	AC1IE	AC1IS1	AC1IS0	AC1ICE	AC1M2	AC1M1	AC1M0	<a href="#">page 231</a>
(0xAD)	AC0CON	AC0EN	AC0IE	AC0IS1	AC0IS0	-	AC0M2	AC0M1	AC0M0	<a href="#">page 230</a>
(0xAC)	DACH	- / DAC9	- / DAC8	- / DAC7	- / DAC6	- / DAC5	- / DAC4	DAC9 / DAC3	DAC8 / DAC2	<a href="#">page 263</a>
(0xAB)	DACL	DAC7 / DAC1	DAC6 / DAC0	DAC5 / -	DAC4 / -	DAC3 / -	DAC2 / -	DAC1 / -	DAC0 /	<a href="#">page 263</a>
(0xAA)	DACON	DAATE	DATS2	DATS1	DATS0	-	DALA	DAOE	DAEN	<a href="#">page 262</a>
(0xA9)	Reserved	-	-	-	-	-	-	-	-	
(0xA8)	Reserved	-	-	-	-	-	-	-	-	
(0xA7)	Reserved	-	-	-	-	-	-	-	-	
(0xA6)	Reserved	-	-	-	-	-	-	-	-	
(0xA5)	PIM2	-	-	PSEIE2	PEVE2B	PEVE2A	-	-	PEOPE2	<a href="#">page 172</a>
(0xA4)	PIFR2	-	-	PSEIE2	PEV2B	PEV2A	PRN21	PRN20	PEOP2	<a href="#">page 173</a>
(0xA3)	PIM1	-	-	PSEIE1	PEVE1B	PEVE1A	-	-	PEOPE1	<a href="#">page 172</a>
(0xA2)	PIFR1	-	-	PSEIE1	PEV1B	PEV1A	PRN11	PRN10	PEOP1	<a href="#">page 173</a>
(0xA1)	PIM0	-	-	PSEIE0	PEVE0B	PEVE0A	-	-	PEOPE0	<a href="#">page 172</a>
(0xA0)	PIFR0	-	-	PSEIE0	PEV0B	PEV0A	PRN01	PRN00	PEOP0	<a href="#">page 172</a>
(0x9F)	Reserved	-	-	-	-	-	-	-	-	
(0x9E)	Reserved	-	-	-	-	-	-	-	-	
(0x9D)	Reserved	-	-	-	-	-	-	-	-	
(0x9C)	Reserved	-	-	-	-	-	-	-	-	
(0x9B)	Reserved	-	-	-	-	-	-	-	-	
(0x9A)	Reserved	-	-	-	-	-	-	-	-	
(0x99)	Reserved	-	-	-	-	-	-	-	-	
(0x98)	Reserved	-	-	-	-	-	-	-	-	
(0x97)	Reserved	-	-	-	-	-	-	-	-	
(0x96)	Reserved	-	-	-	-	-	-	-	-	
(0x95)	Reserved	-	-	-	-	-	-	-	-	
(0x94)	Reserved	-	-	-	-	-	-	-	-	
(0x93)	Reserved	-	-	-	-	-	-	-	-	
(0x92)	Reserved	-	-	-	-	-	-	-	-	
(0x91)	Reserved	-	-	-	-	-	-	-	-	
(0x90)	Reserved	-	-	-	-	-	-	-	-	
(0x8F)	Reserved	-	-	-	-	-	-	-	-	
(0x8E)	Reserved	-	-	-	-	-	-	-	-	
(0x8D)	Reserved	-	-	-	-	-	-	-	-	
(0x8C)	Reserved	-	-	-	-	-	-	-	-	
(0x8B)	OCR1BH	OCR1B15	OCR1B14	OCR1B13	OCR1B12	OCR1B11	OCR1B10	OCR1B9	OCR1B8	<a href="#">page 128</a>
(0x8A)	OCR1BL	OCR1B7	OCR1B6	OCR1B5	OCR1B4	OCR1B3	OCR1B2	OCR1B1	OCR1B0	<a href="#">page 128</a>
(0x89)	OCR1AH	OCR1A15	OCR1A14	OCR1A13	OCR1A12	OCR1A11	OCR1A10	OCR1A9	OCR1A8	<a href="#">page 128</a>
(0x88)	OCR1AL	OCR1A7	OCR1A6	OCR1A5	OCR1A4	OCR1A3	OCR1A2	OCR1A1	OCR1A0	<a href="#">page 128</a>
(0x87)	ICR1H	ICR115	ICR114	ICR113	ICR112	ICR111	ICR110	ICR19	ICR18	<a href="#">page 128</a>
(0x86)	ICR1L	ICR17	ICR16	ICR15	ICR14	ICR13	ICR12	ICR11	ICR10	<a href="#">page 128</a>
(0x85)	TCNT1H	TCNT115	TCNT114	TCNT113	TCNT112	TCNT111	TCNT110	TCNT19	TCNT18	<a href="#">page 128</a>
(0x84)	TCNT1L	TCNT17	TCNT16	TCNT15	TCNT14	TCNT13	TCNT12	TCNT11	TCNT10	<a href="#">page 128</a>
(0x83)	Reserved	-	-	-	-	-	-	-	-	
(0x82)	TCCR1C	FOC1A	FOC1B	-	-	-	-	-	-	<a href="#">page 127</a>
(0x81)	TCCR1B	ICNC1	ICES1	-	WGM13	WGM12	CS12	CS11	CS10	<a href="#">page 126</a>
(0x80)	TCCR1A	COM1A1	COM1A0	COM1B1	COM1B0	-	-	WGM11	WGM10	<a href="#">page 124</a>
(0x7F)	DIDR1	-	-	ACMP0D	AMP0PD	AMP0ND	ADC10D/ACMP1D	ADC9D/AMP1PD	ADC8D/AMP1ND	<a href="#">page 254</a>
(0x7E)	DIDR0	ADC7D	ADC6D	ADC5D	ADC4D	ADC3D/ACMPMD	ADC2D/ACMP2D	ADC1D	ADC0D	<a href="#">page 254</a>
(0x7D)	Reserved	-	-	-	-	-	-	-	-	





Address	Name	Bit 7	Bit 6	Bit 5	Bit 4	Bit 3	Bit 2	Bit 1	Bit 0	Page
(0x7C)	<b>ADMUX</b>	REFS1	REFS0	ADLAR	–	MUX3	MUX2	MUX1	MUX0	<a href="#">page 249</a>
(0x7B)	<b>ADCSRB</b>	ADHSM	–	–	–	ADTS3	ADTS2	ADTS1	ADTS0	<a href="#">page 252</a>
(0x7A)	<b>ADCSRA</b>	ADEN	ADSC	ADATE	ADIF	ADIE	ADPS2	ADPS1	ADPS0	<a href="#">page 251</a>
(0x79)	<b>ADCH</b>	- / ADC9	- / ADC8	- / ADC7	- / ADC6	- / ADC5	- / ADC4	ADC9 / ADC3	ADC8 / ADC2	<a href="#">page 253</a>
(0x78)	<b>ADCL</b>	ADC7 / ADC1	ADC6 / ADC0	ADC5 / -	ADC4 / -	ADC3 / -	ADC2 / -	ADC1 / -	ADC0 / -	<a href="#">page 253</a>
(0x77)	<b>AMP1CSR</b>	AMP1EN	-	AMP1G1	AMP1G0	-	AMP1TS2	AMP1TS1	AMP1TS0	<a href="#">page 258</a>
(0x76)	<b>AMPOCSR</b>	AMPOEN	-	AMPOG1	AMPOG0	-	AMPOTS2	AMPOTS1	AMPOTS0	<a href="#">page 257</a>
(0x75)	<b>Reserved</b>	–	–	–	–	–	–	–	–	
(0x74)	<b>Reserved</b>	–	–	–	–	–	–	–	–	
(0x73)	<b>Reserved</b>	–	–	–	–	–	–	–	–	
(0x72)	<b>Reserved</b>	–	–	–	–	–	–	–	–	
(0x71)	<b>Reserved</b>	–	–	–	–	–	–	–	–	
(0x70)	<b>Reserved</b>	–	–	–	–	–	–	–	–	
(0x6F)	<b>TIMSK1</b>	–	–	ICIE1	–	–	OCIE1B	OCIE1A	TOIE1	<a href="#">page 129</a>
(0x6E)	<b>TIMSK0</b>	–	–	–	–	–	OCIE0B	OCIE0A	TOIE0	<a href="#">page 101</a>
(0x6D)	<b>Reserved</b>	–	–	–	–	–	–	–	–	
(0x6C)	<b>Reserved</b>	–	–	–	–	–	–	–	–	
(0x6B)	<b>Reserved</b>	–	–	–	–	–	–	–	–	
(0x6A)	<b>Reserved</b>	–	–	–	–	–	–	–	–	
(0x69)	<b>EICRA</b>	ISC31	ISC30	ISC21	ISC20	ISC11	ISC10	ISC01	ISC00	<a href="#">page 80</a>
(0x68)	<b>Reserved</b>	–	–	–	–	–	–	–	–	
(0x67)	<b>Reserved</b>	–	–	–	–	–	–	–	–	
(0x66)	<b>OSCCAL</b>	–	CAL6	CAL5	CAL4	CAL3	CAL2	CAL1	CAL0	<a href="#">page 33</a>
(0x65)	<b>Reserved</b>	–	–	–	–	–	–	–	–	
(0x64)	<b>PRR</b>	PRPSC2	PRPSC1	PRPSC0	PRTIM1	PRTIM0	PRSPI	PRUSART	PRADC	<a href="#">page 41</a>
(0x63)	<b>Reserved</b>	–	–	–	–	–	–	–	–	
(0x62)	<b>Reserved</b>	–	–	–	–	–	–	–	–	
(0x61)	<b>CLKPR</b>	CLKPCE	–	–	–	CLKPS3	CLKPS2	CLKPS1	CLKPS0	<a href="#">page 37</a>
(0x60)	<b>WDTCR</b>	WDIF	WDIE	WDP3	WDCE	WDE	WDP2	WDP1	WDP0	<a href="#">page 52</a>
0x3F (0x5F)	<b>SREG</b>	I	T	H	S	V	N	Z	C	<a href="#">page 12</a>
0x3E (0x5E)	<b>SPH</b>	SP15	SP14	SP13	SP12	SP11	SP10	SP9	SP8	<a href="#">page 14</a>
0x3D (0x5D)	<b>SPL</b>	SP7	SP6	SP5	SP4	SP3	SP2	SP1	SP0	<a href="#">page 14</a>
0x3C (0x5C)	<b>Reserved</b>	–	–	–	–	–	–	–	–	
0x3B (0x5B)	<b>Reserved</b>	–	–	–	–	–	–	–	–	
0x3A (0x5A)	<b>Reserved</b>	–	–	–	–	–	–	–	–	
0x39 (0x59)	<b>Reserved</b>	–	–	–	–	–	–	–	–	
0x38 (0x58)	<b>Reserved</b>	–	–	–	–	–	–	–	–	
0x37 (0x57)	<b>SPMCSR</b>	SPMIE	RWWWSB	–	RWWWSRE	BLBSET	PGWRT	PGERS	SPMEN	<a href="#">page 272</a>
0x36 (0x56)	<b>Reserved</b>	–	–	–	–	–	–	–	–	
0x35 (0x55)	<b>MCUCR</b>	SPIPS	–	–	PUD	–	–	IVSEL	IVCE	<a href="#">page 58 &amp; page 67</a>
0x34 (0x54)	<b>MCUSR</b>	–	–	–	–	WDRF	BORF	EXTRF	PORF	<a href="#">page 48</a>
0x33 (0x53)	<b>SMCR</b>	–	–	–	–	SM2	SM1	SM0	SE	<a href="#">page 39</a>
0x32 (0x52)	<b>MSMCR</b>	Monitor Stop Mode Control Register								reserved
0x31 (0x51)	<b>MONDR</b>	Monitor Data Register								reserved
0x30 (0x50)	<b>ACSR</b>	ACCKDIV	AC2IF	AC1IF	AC0IF	–	AC2O	AC1O	AC0O	<a href="#">page 233</a>
0x2F (0x4F)	<b>Reserved</b>	–	–	–	–	–	–	–	–	
0x2E (0x4E)	<b>SPDR</b>	SPD7	SPD6	SPD5	SPD4	SPD3	SPD2	SPD1	SPD0	<a href="#">page 183</a>
0x2D (0x4D)	<b>SPSR</b>	SPIF	WCOL	–	–	–	–	–	SPI2X	<a href="#">page 182</a>
0x2C (0x4C)	<b>SPCR</b>	SPIE	SPE	DORD	MSTR	CPOL	CPHA	SPR1	SPR0	<a href="#">page 181</a>
0x2B (0x4B)	<b>Reserved</b>	–	–	–	–	–	–	–	–	
0x2A (0x4A)	<b>Reserved</b>	–	–	–	–	–	–	–	–	
0x29 (0x49)	<b>PLLCSR</b>	–	–	–	–	–	PLLF	PLLE	PLOCK	<a href="#">page 35</a>
0x28 (0x48)	<b>OCR0B</b>	OCR0B7	OCR0B6	OCR0B5	OCR0B4	OCR0B3	OCR0B2	OCR0B1	OCR0B0	<a href="#">page 101</a>
0x27 (0x47)	<b>OCR0A</b>	OCR0A7	OCR0A6	OCR0A5	OCR0A4	OCR0A3	OCR0A2	OCR0A1	OCR0A0	<a href="#">page 101</a>
0x26 (0x46)	<b>TCNT0</b>	TCNT07	TCNT06	TCNT05	TCNT04	TCNT03	TCNT02	TCNT01	TCNT00	<a href="#">page 101</a>
0x25 (0x45)	<b>TCCR0B</b>	FOC0A	FOC0B	–	–	WGM02	CS02	CS01	CS00	<a href="#">page 100</a>
0x24 (0x44)	<b>TCCR0A</b>	COM0A1	COM0A0	COM0B1	COM0B0	–	–	WGM01	WGM00	<a href="#">page 97</a>
0x23 (0x43)	<b>GTCCR</b>	TSM	ICPSEL1	–	–	–	–	–	PSRSYNC	<a href="#">page 83</a>
0x22 (0x42)	<b>EEARH</b>	–	–	–	–	EEAR11	EEAR10	EEAR9	EEAR8	<a href="#">page 21</a>
0x21 (0x41)	<b>EEARL</b>	EEAR7	EEAR6	EEAR5	EEAR4	EEAR3	EEAR2	EEAR1	EEAR0	<a href="#">page 21</a>
0x20 (0x40)	<b>EEDR</b>	EEDR7	EEDR6	EEDR5	EEDR4	EEDR3	EEDR2	EEDR1	EEDR0	<a href="#">page 21</a>
0x1F (0x3F)	<b>EEDR</b>	–	–	–	–	–	–	–	–	
0x1E (0x3E)	<b>EEDR</b>	–	–	–	–	–	–	–	–	
0x1F (0x3F)	<b>EEDR</b>	–	–	–	–	–	–	–	–	
0x1E (0x3E)	<b>EEDR</b>	–	–	–	–	–	–	–	–	
0x1F (0x3F)	<b>EEDR</b>	–	–	–	–	–	–	–	–	
0x1E (0x3E)	<b>EEDR</b>	–	–	–	–	–	–	–	–	
0x1F (0x3F)	<b>EEDR</b>	–	–	–	–	–	–	–	–	
0x1E (0x3E)	<b>EEDR</b>	–	–	–	–	–	–	–	–	
0x1F (0x3F)	<b>EEDR</b>	–	–	–	–	–	–	–	–	
0x1E (0x3E)	<b>EEDR</b>	–	–	–	–	–	–	–	–	
0x1F (0x3F)	<b>EEDR</b>	–	–	–	–	–	–	–	–	
0x1E (0x3E)	<b>EEDR</b>	–	–	–	–	–	–	–	–	
0x1F (0x3F)	<b>EEDR</b>	–	–	–	–	–	–	–	–	
0x1E (0x3E)	<b>EEDR</b>	–	–	–	–	–	–	–	–	
0x1F (0x3F)	<b>EEDR</b>	–	–	–	–	–	–	–	–	
0x1E (0x3E)	<b>EEDR</b>	–	–	–	–	–	–	–	–	
0x1F (0x3F)	<b>EEDR</b>	–	–	–	–	–	–	–	–	
0x1E (0x3E)	<b>EEDR</b>	–	–	–	–	–	–	–	–	
0x1F (0x3F)	<b>EEDR</b>	–	–	–	–	–	–	–	–	
0x1E (0x3E)	<b>EEDR</b>	–	–	–	–	–	–	–	–	
0x1F (0x3F)	<b>EEDR</b>	–	–	–	–	–	–	–	–	
0x1E (0x3E)	<b>EEDR</b>	–	–	–	–	–	–	–	–	
0x1F (0x3F)	<b>EEDR</b>	–	–	–	–	–	–	–	–	
0x1E (0x3E)	<b>EEDR</b>	–	–	–	–	–	–	–	–	
0x1F (0x3F)	<b>EEDR</b>	–	–	–	–	–	–	–	–	
0x1E (0x3E)	<b>EEDR</b>	–	–	–	–	–	–	–	–	
0x1F (0x3F)	<b>EEDR</b>	–	–	–	–	–	–	–	–	
0x1E (0x3E)	<b>EEDR</b>	–	–	–	–	–	–	–	–	
0x1F (0x3F)	<b>EEDR</b>	–	–	–	–	–	–	–	–	
0x1E (0x3E)	<b>EEDR</b>	–	–	–	–	–	–	–	–	
0x1F (0x3F)	<b>EEDR</b>	–	–	–	–	–	–	–	–	
0x1E (0x3E)	<b>EEDR</b>	–	–	–	–	–	–	–	–	
0x1F (0x3F)	<b>EEDR</b>	–	–	–	–	–	–	–	–	
0x1E (0x3E)	<b>EEDR</b>	–	–	–	–	–	–	–	–	
0x1F (0x3F)	<b>EEDR</b>	–	–	–	–	–	–	–	–	
0x1E (0x3E)	<b>EEDR</b>	–	–	–	–	–	–	–	–	
0x1F (0x3F)	<b>EEDR</b>	–	–	–	–	–	–	–	–	
0x1E (0x3E)	<b>EEDR</b>	–	–	–	–	–	–	–	–	
0x1F (0x3F)	<b>EEDR</b>	–	–	–	–	–	–	–	–	
0x1E (0x3E)	<b>EEDR</b>	–	–	–	–	–	–	–	–	
0x1F (0x3F)	<b>EEDR</b>	–	–	–	–	–	–	–	–	
0x1E (0x3E)	<b>EEDR</b>	–	–	–	–	–	–	–	–	
0x1F (0x3F)	<b>EEDR</b>	–	–	–	–	–	–	–	–	
0x1E (0x3E)	<b>EEDR</b>	–	–	–	–	–	–	–	–	
0x1F (0x3F)	<b>EEDR</b>	–	–	–	–	–	–	–	–	
0x1E (0x3E)	<b>EEDR</b>	–	–	–	–	–	–	–	–	
0x1F (0x3F)	<b>EEDR</b>	–	–	–	–	–	–	–	–	
0x1E (0x3E)	<b>EEDR</b>	–	–	–	–	–	–	–	–	
0x1F (0x3F)	<b>EEDR</b>	–	–	–	–	–	–	–	–	
0x1E (0x3E)	<b>EEDR</b>	–	–	–	–	–	–	–	–	
0x1F (0x3F)	<b>EEDR</b>	–	–	–	–	–	–	–	–	
0x1E (0x3E)	<b>EEDR</b>	–	–	–	–	–	–	–	–	
0x1F (0x3F)	<b>EEDR</b>	–	–	–	–	–	–	–	–	
0x1E (0x3E)	<b>EEDR</b>	–	–	–	–	–	–	–	–	
0x1F (0x3F)	<b>EEDR</b>	–	–	–	–	–	–	–	–	
0x1E (0x3E)	<b>EEDR</b>	–	–	–	–	–	–	–	–	
0x1F (0x3F)	<b>EEDR</b>	–	–	–	–	–	–	–	–	
0x1E (0x3E)	<b>EEDR</b>	–	–	–	–	–	–	–	–	
0x1F (0x3F)	<b>EEDR</b>	–	–	–	–	–	–	–	–	
0x1E (0x3E)	<b>EEDR</b>	–	–	–	–	–	–	–	–	
0x1F (0x3F)	<b>EEDR</b>	–	–	–	–	–	–	–	–	
0x1E (0x3E)	<b>EEDR</b>	–	–	–	–					

Address	Name	Bit 7	Bit 6	Bit 5	Bit 4	Bit 3	Bit 2	Bit 1	Bit 0	Page
0x1A (0x3A)	<b>GPIOR2</b>	GPIOR27	GPIOR26	GPIOR25	GPIOR24	GPIOR23	GPIOR22	GPIOR21	GPIOR20	<a href="#">page 26</a>
0x19 (0x39)	<b>GPIOR1</b>	GPIOR17	GPIOR16	GPIOR15	GPIOR14	GPIOR13	GPIOR12	GPIOR11	GPIOR10	<a href="#">page 26</a>
0x18 (0x38)	<b>Reserved</b>	–	–	–	–	–	–	–	–	
0x17 (0x37)	<b>Reserved</b>	–	–	–	–	–	–	–	–	
0x16 (0x36)	<b>TIFR1</b>	–	–	ICF1	–	–	OCF1B	OCF1A	TOV1	<a href="#">page 130</a>
0x15 (0x35)	<b>TIFR0</b>	–	–	–	–	–	OCF0B	OCF0A	TOV0	<a href="#">page 102</a>
0x14 (0x34)	<b>Reserved</b>	–	–	–	–	–	–	–	–	
0x13 (0x33)	<b>Reserved</b>	–	–	–	–	–	–	–	–	
0x12 (0x32)	<b>Reserved</b>	–	–	–	–	–	–	–	–	
0x11 (0x31)	<b>Reserved</b>	–	–	–	–	–	–	–	–	
0x10 (0x30)	<b>Reserved</b>	–	–	–	–	–	–	–	–	
0x0F (0x2F)	<b>Reserved</b>	–	–	–	–	–	–	–	–	
0x0E (0x2E)	<b>PORTE</b>	–	–	–	–	–	PORTE2	PORTE1	PORTE0	<a href="#">page 79</a>
0x0D (0x2D)	<b>DDRE</b>	–	–	–	–	–	DDE2	DDE1	DDE0	<a href="#">page 79</a>
0x0C (0x2C)	<b>PINE</b>	–	–	–	–	–	PINE2	PINE1	PINE0	<a href="#">page 79</a>
0x0B (0x2B)	<b>PORTD</b>	PORTD7	PORTD6	PORTD5	PORTD4	PORTD3	PORTD2	PORTD1	PORTD0	<a href="#">page 78</a>
0x0A (0x2A)	<b>DDRD</b>	DDD7	DDD6	DDD5	DDD4	DDD3	DDD2	DDD1	DDD0	<a href="#">page 78</a>
0x09 (0x29)	<b>PIND</b>	PIND7	PIND6	PIND5	PIND4	PIND3	PIND2	PIND1	PIND0	<a href="#">page 79</a>
0x08 (0x28)	<b>PORTC</b>	PORTC7	PORTC6	PORTC5	PORTC4	PORTC3	PORTC2	PORTC1	PORTC0	<a href="#">page 78</a>
0x07 (0x27)	<b>DDRC</b>	DDC7	DDC6	DDC5	DDC4	DDC3	DDC2	DDC1	DDC0	<a href="#">page 78</a>
0x06 (0x26)	<b>PINC</b>	PINC7	PINC6	PINC5	PINC4	PINC3	PINC2	PINC1	PINC0	<a href="#">page 78</a>
0x05 (0x25)	<b>PORTB</b>	PORTB7	PORTB6	PORTB5	PORTB4	PORTB3	PORTB2	PORTB1	PORTB0	<a href="#">page 78</a>
0x04 (0x24)	<b>DDRB</b>	DDB7	DDB6	DDB5	DDB4	DDB3	DDB2	DDB1	DDB0	<a href="#">page 78</a>
0x03 (0x23)	<b>PINB</b>	PINB7	PINB6	PINB5	PINB4	PINB3	PINB2	PINB1	PINB0	<a href="#">page 78</a>
0x02 (0x22)	<b>Reserved</b>	–	–	–	–	–	–	–	–	
0x01 (0x21)	<b>Reserved</b>	–	–	–	–	–	–	–	–	
0x00 (0x20)	<b>Reserved</b>	–	–	–	–	–	–	–	–	

- Note:
- For compatibility with future devices, reserved bits should be written to zero if accessed. Reserved I/O memory addresses should never be written.
  - I/O Registers within the address range 0x00 - 0x1F are directly bit-accessible using the SBI and CBI instructions. In these registers, the value of single bits can be checked by using the SBIS and SBIC instructions.
  - Some of the status flags are cleared by writing a logical one to them. Note that, unlike most other AVRs, the CBI and SBI instructions will only operate on the specified bit, and can therefore be used on registers containing such status flags. The CBI and SBI instructions work with registers 0x00 to 0x1F only.
  - When using the I/O specific commands IN and OUT, the I/O addresses 0x00 - 0x3F must be used. When addressing I/O Registers as data space using LD and ST instructions, 0x20 must be added to these addresses. The AT90PWM216/316 is a complex microcontroller with more peripheral units than can be supported within the 64 location reserved in Opcode for the IN and OUT instructions. For the Extended I/O space from 0x60 - 0xFF in SRAM, only the ST/STS/STD and LD/LDS/LDD instructions can be used.

## 29. Instruction Set Summary

Mnemonics	Operands	Description	Operation	Flags	#Clocks
<b>ARITHMETIC AND LOGIC INSTRUCTIONS</b>					
ADD	Rd, Rr	Add two Registers	$Rd \leftarrow Rd + Rr$	Z,C,N,V,H	1
ADC	Rd, Rr	Add with Carry two Registers	$Rd \leftarrow Rd + Rr + C$	Z,C,N,V,H	1
ADIW	Rdl,K	Add Immediate to Word	$Rdh:Rdl \leftarrow Rdh:Rdl + K$	Z,C,N,V,S	2
SUB	Rd, Rr	Subtract two Registers	$Rd \leftarrow Rd - Rr$	Z,C,N,V,H	1
SUBI	Rd, K	Subtract Constant from Register	$Rd \leftarrow Rd - K$	Z,C,N,V,H	1
SBC	Rd, Rr	Subtract with Carry two Registers	$Rd \leftarrow Rd - Rr - C$	Z,C,N,V,H	1
SBCI	Rd, K	Subtract with Carry Constant from Reg.	$Rd \leftarrow Rd - K - C$	Z,C,N,V,H	1
SBIW	Rdl,K	Subtract Immediate from Word	$Rdh:Rdl \leftarrow Rdh:Rdl - K$	Z,C,N,V,S	2
AND	Rd, Rr	Logical AND Registers	$Rd \leftarrow Rd \cdot Rr$	Z,N,V	1
ANDI	Rd, K	Logical AND Register and Constant	$Rd \leftarrow Rd \cdot K$	Z,N,V	1
OR	Rd, Rr	Logical OR Registers	$Rd \leftarrow Rd \vee Rr$	Z,N,V	1
ORI	Rd, K	Logical OR Register and Constant	$Rd \leftarrow Rd \vee K$	Z,N,V	1
EOR	Rd, Rr	Exclusive OR Registers	$Rd \leftarrow Rd \oplus Rr$	Z,N,V	1
COM	Rd	One's Complement	$Rd \leftarrow 0xFF - Rd$	Z,C,N,V	1
NEG	Rd	Two's Complement	$Rd \leftarrow 0x00 - Rd$	Z,C,N,V,H	1
SBR	Rd,K	Set Bit(s) in Register	$Rd \leftarrow Rd \vee K$	Z,N,V	1
CBR	Rd,K	Clear Bit(s) in Register	$Rd \leftarrow Rd \cdot (0xFF - K)$	Z,N,V	1
INC	Rd	Increment	$Rd \leftarrow Rd + 1$	Z,N,V	1
DEC	Rd	Decrement	$Rd \leftarrow Rd - 1$	Z,N,V	1
TST	Rd	Test for Zero or Minus	$Rd \leftarrow Rd \oplus Rd$	Z,N,V	1
CLR	Rd	Clear Register	$Rd \leftarrow Rd \oplus Rd$	Z,N,V	1
SER	Rd	Set Register	$Rd \leftarrow 0xFF$	None	1
MUL	Rd, Rr	Multiply Unsigned	$R1:R0 \leftarrow Rd \times Rr$	Z,C	2
MULS	Rd, Rr	Multiply Signed	$R1:R0 \leftarrow Rd \times Rr$	Z,C	2
MULSU	Rd, Rr	Multiply Signed with Unsigned	$R1:R0 \leftarrow Rd \times Rr$	Z,C	2
FMUL	Rd, Rr	Fractional Multiply Unsigned	$R1:R0 \leftarrow (Rd \times Rr) \ll 1$	Z,C	2
FMULS	Rd, Rr	Fractional Multiply Signed	$R1:R0 \leftarrow (Rd \times Rr) \ll 1$	Z,C	2
FMULSU	Rd, Rr	Fractional Multiply Signed with Unsigned	$R1:R0 \leftarrow (Rd \times Rr) \ll 1$	Z,C	2
<b>BRANCH INSTRUCTIONS</b>					
RJMP	k	Relative Jump	$PC \leftarrow PC + k + 1$	None	2
IJMP		Indirect Jump to (Z)	$PC \leftarrow Z$	None	2
JMP	k	Direct Jump	$PC \leftarrow k$	None	3
RCALL	k	Relative Subroutine Call	$PC \leftarrow PC + k + 1$	None	3
ICALL		Indirect Call to (Z)	$PC \leftarrow Z$	None	3
CALL	k	Direct Call	$PC \leftarrow k$	None	4
RET		Subroutine Return	$PC \leftarrow STACK$	None	4
RETI		Interrupt Return	$PC \leftarrow STACK$	I	4
CPSE	Rd,Rr	Compare, Skip if Equal	if (Rd = Rr) $PC \leftarrow PC + 2$ or 3	None	1/2/3
CP	Rd,Rr	Compare	$Rd - Rr$	Z, N,V,C,H	1
CPC	Rd,Rr	Compare with Carry	$Rd - Rr - C$	Z, N,V,C,H	1
CPI	Rd,K	Compare Register with Immediate	$Rd - K$	Z, N,V,C,H	1
SBRC	Rr, b	Skip if Bit in Register Cleared	if (Rr(b)=0) $PC \leftarrow PC + 2$ or 3	None	1/2/3
SBRS	Rr, b	Skip if Bit in Register is Set	if (Rr(b)=1) $PC \leftarrow PC + 2$ or 3	None	1/2/3
SBIC	P, b	Skip if Bit in I/O Register Cleared	if (P(b)=0) $PC \leftarrow PC + 2$ or 3	None	1/2/3
SBIS	P, b	Skip if Bit in I/O Register is Set	if (P(b)=1) $PC \leftarrow PC + 2$ or 3	None	1/2/3
BRBS	s, k	Branch if Status Flag Set	if (SREG(s) = 1) then $PC \leftarrow PC + k + 1$	None	1/2
BRBC	s, k	Branch if Status Flag Cleared	if (SREG(s) = 0) then $PC \leftarrow PC + k + 1$	None	1/2
BREQ	k	Branch if Equal	if (Z = 1) then $PC \leftarrow PC + k + 1$	None	1/2
BRNE	k	Branch if Not Equal	if (Z = 0) then $PC \leftarrow PC + k + 1$	None	1/2
BRCS	k	Branch if Carry Set	if (C = 1) then $PC \leftarrow PC + k + 1$	None	1/2
BRCC	k	Branch if Carry Cleared	if (C = 0) then $PC \leftarrow PC + k + 1$	None	1/2
BRSH	k	Branch if Same or Higher	if (C = 0) then $PC \leftarrow PC + k + 1$	None	1/2
BRLO	k	Branch if Lower	if (C = 1) then $PC \leftarrow PC + k + 1$	None	1/2
BRMI	k	Branch if Minus	if (N = 1) then $PC \leftarrow PC + k + 1$	None	1/2
BRPL	k	Branch if Plus	if (N = 0) then $PC \leftarrow PC + k + 1$	None	1/2
BRGE	k	Branch if Greater or Equal, Signed	if (N ⊕ V = 0) then $PC \leftarrow PC + k + 1$	None	1/2
BRLT	k	Branch if Less Than Zero, Signed	if (N ⊕ V = 1) then $PC \leftarrow PC + k + 1$	None	1/2
BRHS	k	Branch if Half Carry Flag Set	if (H = 1) then $PC \leftarrow PC + k + 1$	None	1/2
BRHC	k	Branch if Half Carry Flag Cleared	if (H = 0) then $PC \leftarrow PC + k + 1$	None	1/2
BRTS	k	Branch if T Flag Set	if (T = 1) then $PC \leftarrow PC + k + 1$	None	1/2
BRTC	k	Branch if T Flag Cleared	if (T = 0) then $PC \leftarrow PC + k + 1$	None	1/2
BRVS	k	Branch if Overflow Flag is Set	if (V = 1) then $PC \leftarrow PC + k + 1$	None	1/2
BRVC	k	Branch if Overflow Flag is Cleared	if (V = 0) then $PC \leftarrow PC + k + 1$	None	1/2

Mnemonics	Operands	Description	Operation	Flags	#Clocks
BRIE	k	Branch if Interrupt Enabled	if ( I = 1) then PC ← PC + k + 1	None	1/2
BRID	k	Branch if Interrupt Disabled	if ( I = 0) then PC ← PC + k + 1	None	1/2
<b>BIT AND BIT-TEST INSTRUCTIONS</b>					
SBI	P,b	Set Bit in I/O Register	I/O(P,b) ← 1	None	2
CBI	P,b	Clear Bit in I/O Register	I/O(P,b) ← 0	None	2
LSL	Rd	Logical Shift Left	Rd(n+1) ← Rd(n), Rd(0) ← 0	Z,C,N,V	1
LSR	Rd	Logical Shift Right	Rd(n) ← Rd(n+1), Rd(7) ← 0	Z,C,N,V	1
ROL	Rd	Rotate Left Through Carry	Rd(0) ← C, Rd(n+1) ← Rd(n), C ← Rd(7)	Z,C,N,V	1
ROR	Rd	Rotate Right Through Carry	Rd(7) ← C, Rd(n) ← Rd(n+1), C ← Rd(0)	Z,C,N,V	1
ASR	Rd	Arithmetic Shift Right	Rd(n) ← Rd(n+1), n=0..6	Z,C,N,V	1
SWAP	Rd	Swap Nibbles	Rd(3..0) ← Rd(7..4), Rd(7..4) ← Rd(3..0)	None	1
BSET	s	Flag Set	SREG(s) ← 1	SREG(s)	1
BCLR	s	Flag Clear	SREG(s) ← 0	SREG(s)	1
BST	Rr, b	Bit Store from Register to T	T ← Rr(b)	T	1
BLD	Rd, b	Bit load from T to Register	Rd(b) ← T	None	1
SEC		Set Carry	C ← 1	C	1
CLC		Clear Carry	C ← 0	C	1
SEN		Set Negative Flag	N ← 1	N	1
CLN		Clear Negative Flag	N ← 0	N	1
SEZ		Set Zero Flag	Z ← 1	Z	1
CLZ		Clear Zero Flag	Z ← 0	Z	1
SEI		Global Interrupt Enable	I ← 1	I	1
CLI		Global Interrupt Disable	I ← 0	I	1
SES		Set Signed Test Flag	S ← 1	S	1
CLS		Clear Signed Test Flag	S ← 0	S	1
SEV		Set Twos Complement Overflow.	V ← 1	V	1
CLV		Clear Twos Complement Overflow	V ← 0	V	1
SET		Set T in SREG	T ← 1	T	1
CLT		Clear T in SREG	T ← 0	T	1
SEH		Set Half Carry Flag in SREG	H ← 1	H	1
CLH		Clear Half Carry Flag in SREG	H ← 0	H	1
<b>DATA TRANSFER INSTRUCTIONS</b>					
MOV	Rd, Rr	Move Between Registers	Rd ← Rr	None	1
MOVW	Rd, Rr	Copy Register Word	Rd+1:Rd ← Rr+1:Rr	None	1
LDI	Rd, K	Load Immediate	Rd ← K	None	1
LD	Rd, X	Load Indirect	Rd ← (X)	None	2
LD	Rd, X+	Load Indirect and Post-Inc.	Rd ← (X), X ← X + 1	None	2
LD	Rd, -X	Load Indirect and Pre-Dec.	X ← X - 1, Rd ← (X)	None	2
LD	Rd, Y	Load Indirect	Rd ← (Y)	None	2
LD	Rd, Y+	Load Indirect and Post-Inc.	Rd ← (Y), Y ← Y + 1	None	2
LD	Rd, -Y	Load Indirect and Pre-Dec.	Y ← Y - 1, Rd ← (Y)	None	2
LDD	Rd, Y+q	Load Indirect with Displacement	Rd ← (Y + q)	None	2
LD	Rd, Z	Load Indirect	Rd ← (Z)	None	2
LD	Rd, Z+	Load Indirect and Post-Inc.	Rd ← (Z), Z ← Z+1	None	2
LD	Rd, -Z	Load Indirect and Pre-Dec.	Z ← Z - 1, Rd ← (Z)	None	2
LDD	Rd, Z+q	Load Indirect with Displacement	Rd ← (Z + q)	None	2
LDS	Rd, k	Load Direct from SRAM	Rd ← (k)	None	2
ST	X, Rr	Store Indirect	(X) ← Rr	None	2
ST	X+, Rr	Store Indirect and Post-Inc.	(X) ← Rr, X ← X + 1	None	2
ST	-X, Rr	Store Indirect and Pre-Dec.	X ← X - 1, (X) ← Rr	None	2
ST	Y, Rr	Store Indirect	(Y) ← Rr	None	2
ST	Y+, Rr	Store Indirect and Post-Inc.	(Y) ← Rr, Y ← Y + 1	None	2
ST	-Y, Rr	Store Indirect and Pre-Dec.	Y ← Y - 1, (Y) ← Rr	None	2
STD	Y+q, Rr	Store Indirect with Displacement	(Y + q) ← Rr	None	2
ST	Z, Rr	Store Indirect	(Z) ← Rr	None	2
ST	Z+, Rr	Store Indirect and Post-Inc.	(Z) ← Rr, Z ← Z + 1	None	2
ST	-Z, Rr	Store Indirect and Pre-Dec.	Z ← Z - 1, (Z) ← Rr	None	2
STD	Z+q, Rr	Store Indirect with Displacement	(Z + q) ← Rr	None	2
STS	k, Rr	Store Direct to SRAM	(k) ← Rr	None	2
LPM		Load Program Memory	R0 ← (Z)	None	3
LPM	Rd, Z	Load Program Memory	Rd ← (Z)	None	3
LPM	Rd, Z+	Load Program Memory and Post-Inc	Rd ← (Z), Z ← Z+1	None	3
SPM		Store Program Memory	(Z) ← R1:R0	None	-
IN	Rd, P	In Port	Rd ← P	None	1
OUT	P, Rr	Out Port	P ← Rr	None	1
PUSH	Rr	Push Register on Stack	STACK ← Rr	None	2



Mnemonics	Operands	Description	Operation	Flags	#Clocks
POP	Rd	Pop Register from Stack	Rd ← STACK	None	2
<b>MCU CONTROL INSTRUCTIONS</b>					
NOP		No Operation		None	1
SLEEP		Sleep	(see specific descr. for Sleep function)	None	1
WDR		Watchdog Reset	(see specific descr. for WDR/timer)	None	1
BREAK		Break	For On-chip Debug Only	None	N/A





## 30. Ordering Information

Speed (MHz)	Power Supply	Ordering Code	Package	Operation Range
16	2.7 - 5.5V	AT90PWM316-16SE	SO32	Engineering Samples
16	2.7 - 5.5V	AT90PWM316-16ME	QFN32	Engineering Samples
16	2.7 - 5.5V	AT90PWM216-16SE	SO24	Engineering Samples
16	2.7 - 5.5V	AT90PWM316-16SU	SO32	Extended (-40°C to 105°C)
16	2.7 - 5.5V	AT90PWM316-16MU	QFN32	Extended (-40°C to 105°C)
16	2.7 - 5.5V	AT90PWM216-16SU	SO24	Extended (-40°C to 105°C)

Note: All packages are Pb free, fully LHF

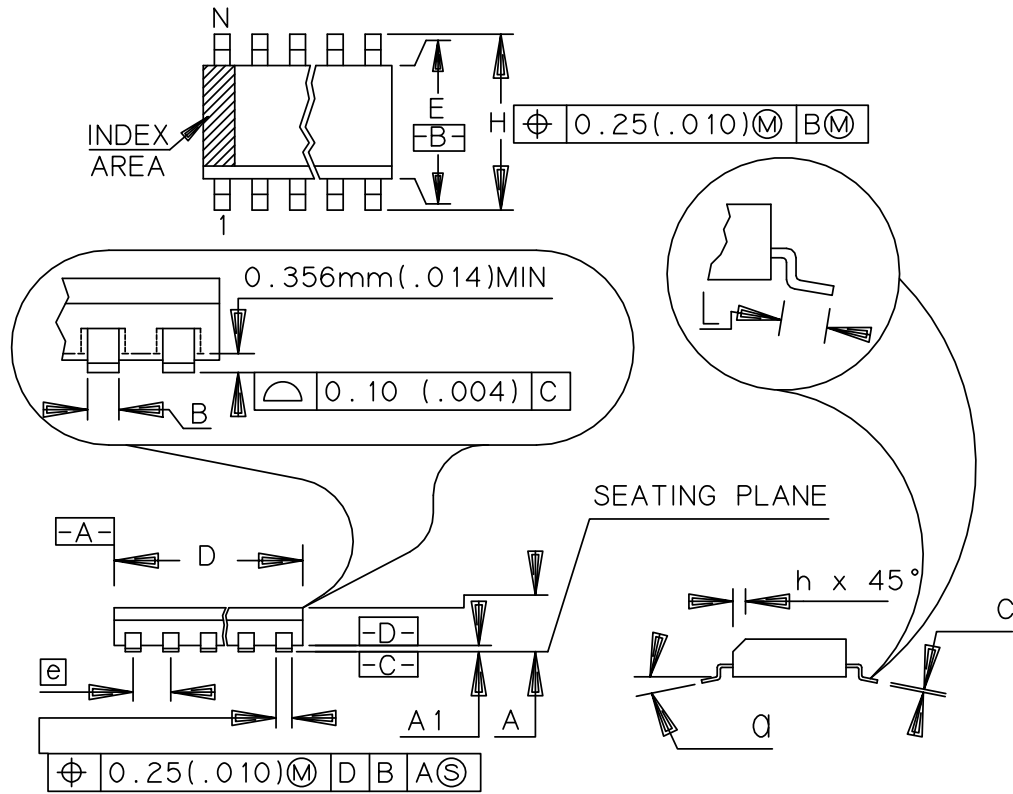
Note: This device can also be supplied in wafer form. Please contact your local Atmel sales office for detailed ordering information and minimum quantities.

Note: Parts numbers are for shipping in sticks (SO) or in trays (QFN). These devices can also be supplied in Tape and Reel. Please contact your local Atmel sales office for detailed ordering information and minimum quantities.

## 31. Package Information

Package Type	
<b>SO24</b>	24-Lead, Small Outline Package
<b>SO32</b>	32-Lead, Small Outline Package
<b>QFN32</b>	32-Lead, Quad Flat No lead

### 31.1 SO24



	MM		INCH	
A	2.35	2.65	.093	.104
A1	0.10	0.30	.004	.012
B	0.35	0.49	.014	.019
C	0.23	0.32	.009	.013
D	15.20	15.60	.599	.614
E	7.40	7.60	.291	.299
e	1.27	BSC	.050	BSC
H	10.00	10.65	.394	.419
h	0.25	0.75	.010	.029
L	0.40	1.27	.016	.050
N	24		24	
a	0°		8°	

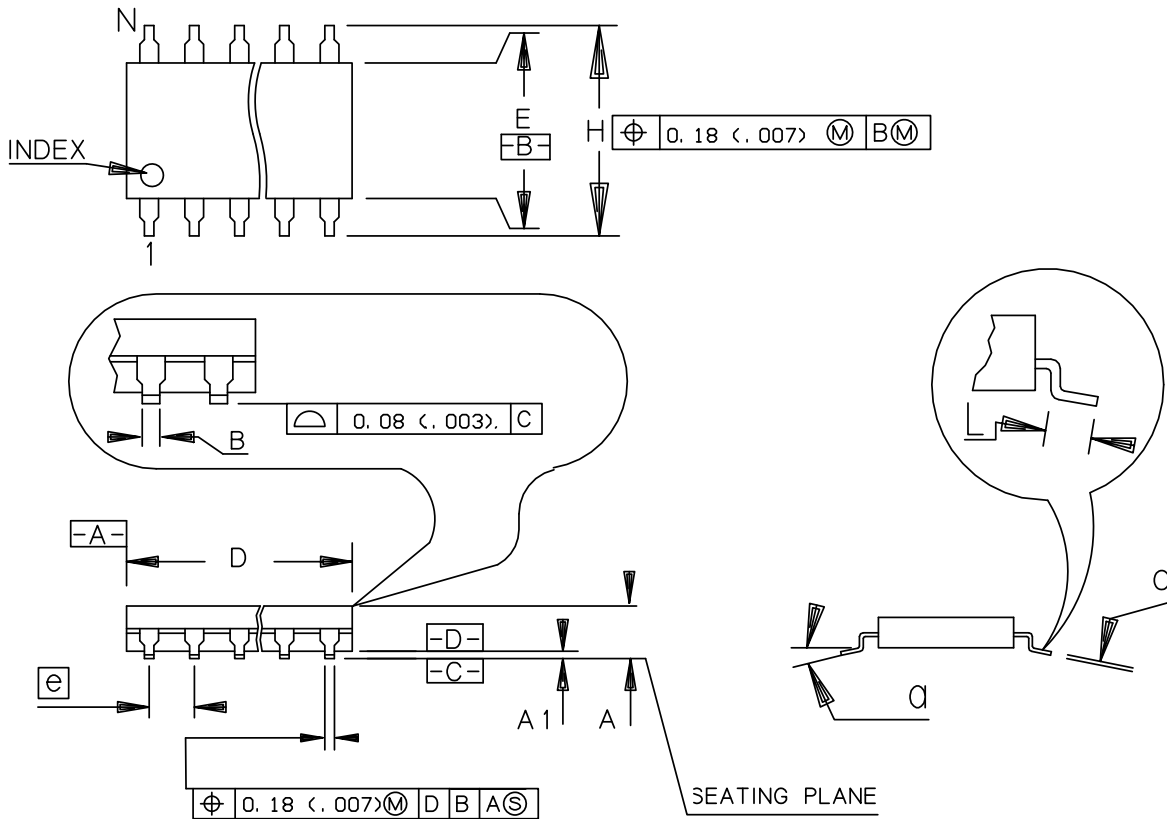
07/27/07

Atmel Nantes S.A.  
La Chantrerie - BP 70602  
44306 Nantes Cedex 3 - France

TITLE  
TD, 24 - Lead, 0.300" Body Width  
Plastic Gull Wing Small Outline Package (SOIC)

DRAWING No.	REV.
TD	A

31.2 SO32



	MM		INCH	
	Min	Max	Min	Max
A	2.29	2.54	.090	.100
A1	0.10	0.25	.004	.010
B	0.36	0.51	.014	.020
C	0.15	0.32	.006	.013
D	20.57	20.88	.810	.822
E	7.42	7.60	.292	.299
e	1.27	BSC	.050	BSC
H	10.29	10.64	.405	.419
L	0.53	1.04	.021	.041
N	32		32	
α	4°		4°	

07/27/07

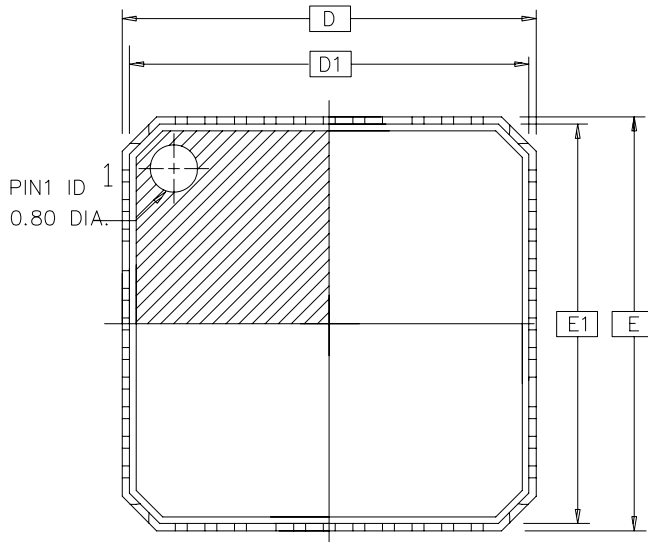
**ATMEL**  
Atmel Nantes S.A.  
La Chantrerie - BP 70602  
44306 Nantes Cedex 3 - France

**TITLE**  
T4, 32 - Lead, 0.300" Body Width  
Plastic Gull Wing Small Outline Package (SOIC)

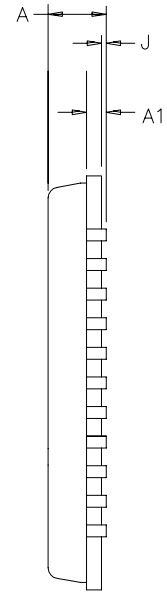
**DRAWING No.**  
T4

**REV.**  
A

### 31.3 QFN32

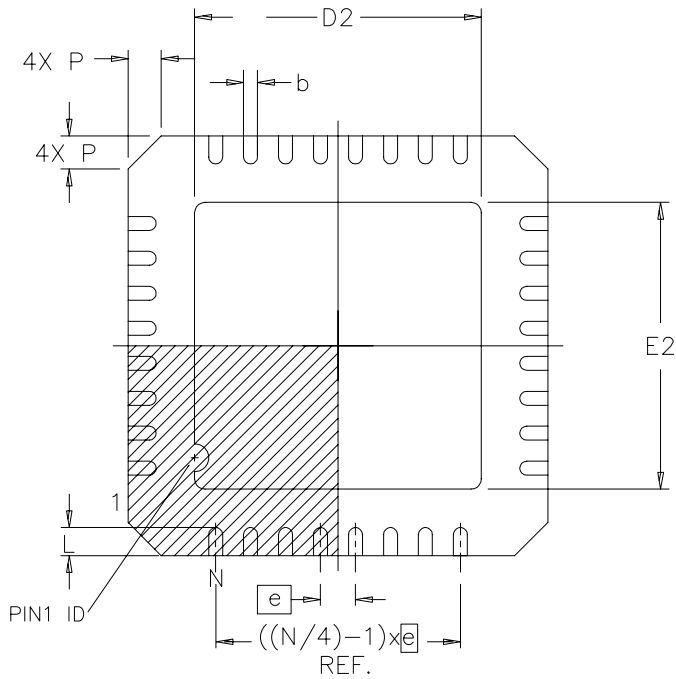


TOP VIEW



SIDE VIEW

DRAWINGS NOT SCALED



BOTTOM VIEW

	MM			INCH		
	MIN	NOM	MAX	MIN	NOM	MAX
A	0.80	-	1.00	.032	-	.040
J	0.00	0.01	0.05	.000	.000	.002
A1	0.20 ref			.008 ref		
D/E	7.00 BSC			.276 BSC		
D1/E1	6.75 BSC			.266 BSC		
D2/E2	2.25	-	5.25	.090	-	.207
N	32					
P	0.24	0.42	0.60	.009	.016	.024
e	0.65 BSC			.026 BSC		
L	0.35	-	0.75	.014	-	.030
b	0.23	-	0.35	.009	-	.014

Compliant JEDEC Standard MO-220 variation VKKC

**NOTES: MLF PACKAGE FAMILY**

1. DIE THICKNESS ALLOWABLE IS 0.305mm MAXIMUM(.012 INCHES MAXIMUM)
2. DIMENSIONING & TOLERANCES CONFORM TO ASME Y14.5M. – 1994.
- 3 DIMENSION **b** APPLIES TO PLATED TERMINAL AND IS MEASURED  
BETWEEN 0.20 AND 0.25mm FROM TERMINAL TIP.
- 4 PACKAGE WARPAGE MAX 0.08mm.
- 5 THE PIN #1 IDENTIFIER MUST BE EXISTED ON THE TOP SURFACE OF THE  
PACKAGE BY USING INDENTATION MARK OR OTHER FEATURE OF PACKAGE BODY.
- 6 EXACT SHAPE AND SIZE OF THIS FIXTURE IS OPTIONAL

## 32. Errata

### 32.1 Errata AT90PWM216/316 revA

- DAC Driver linearity above 3.6V

1. DAC Driver linearity above 3.6V

With 5V  $V_{cc}$ , the DAC driver linearity is poor when DAC output level is above  $V_{cc}-1V$ . At 5V, DAC output for 1023 will be around 5V - 40mV.

**Work around:**

Use, when  $V_{cc}=5V$ ,  $V_{ref}$  below  $V_{cc}-1V$

Or, when  $V_{ref}=V_{cc}=5V$ , do not uses codes above 800.

### 33. Datasheet Revision History for AT90PWM216/316

Please note that the referring page numbers in this section are referred to this document. The referring revision in this section are referring to the document revision.

#### 33.1 Rev. 7710A

1. Document creation.

#### 33.2 Rev. 7710B

1. Updated "Section "In-System Reprogrammable Flash Program Memory", page 18
2. Updated ["Figure 6-1 on page 18"](#)
3. Updated ["Figure 7-1 on page 29"](#)
4. Updated ["Figure 7-7 on page 34"](#)
5. Updated ["Table 21-1 on page 241"](#)
6. Updated "Section "ADC Noise Canceler", page 243
7. Updated ["Table 21-6 on page 252"](#)
8. Added ["Table 21-7 on page 253"](#)
9. Updated "Section "Amplifier", page 254
10. Updated ["Figure 21-15 on page 256"](#)
11. Added ["Figure 21-16 on page 256"](#)
12. Updated ["Figure 21-17 on page 257"](#)
13. Updated "Section "Amplifier 0 Control and Status register – AMP0CSR", page 257
14. Updated ["Table 21-9 on page 258"](#)
15. Updated "Section "Amplifier 1 Control and Status register – AMP1CSR", page 258
16. Updated ["Table 21-9 on page 258"](#)
17. Updated ["Table 21-11 on page 259"](#)
18. Updated ["Table 24-6 on page 279"](#)
19. Updated ["Table 24-7 on page 279"](#)
20. Updated ["Table 24-8 on page 280"](#)
21. Updated "Section "DC Characteristics", page 302
22. Updated ["Table 26-5 on page 308"](#)
23. Updated "Section "Example 1", page 317
24. Updated "Section "Example 2", page 317
25. Updated "Section "Example 3", page 317
26. Added ["Figure 27-22 on page 324"](#)
27. Updated "Section "Instruction Set Summary", page 342
28. Added "Section "Errata", page 350

#### 33.3 Rev. 7710C

1. Updated table page 2.
2. Updated [Section "Internal Calibrated RC Oscillator Operating Modes\(1\)\(2\)" on page 33.](#)
3. Updated [Section "Features" on page 260.](#)
4. Updated table in [Section "Electrical Characteristics\(1\)" on page 301.](#)
5. Added section [Section "Calibrated Internal RC Oscillator Accuracy" on page 304.](#)

6. Updated [Table 26-5 on page 308](#).
7. Updated [Figure 27-36 on page 331](#).
8. Updated [Figure 27-37 on page 332](#).
9. Updated [Figure 27-38 on page 332](#).

### 33.4 Rev. 7710D

1. Updated table page 2.
2. Updated [“Absolute Maximum Ratings\\*” on page 301](#)



34. Table of Contents

**1 History ..... 2**

**2 Disclaimer ..... 2**

**3 Pin Configurations ..... 3**

    3.1 Pin Descriptions ..... 4

**4 Overview ..... 6**

    4.1 Block Diagram ..... 7

    4.2 Pin Descriptions ..... 8

    4.3 About Code Examples ..... 9

**5 AVR CPU Core ..... 10**

    5.1 Introduction ..... 10

    5.2 Architectural Overview ..... 10

    5.3 ALU – Arithmetic Logic Unit ..... 11

    5.4 Status Register ..... 12

    5.5 General Purpose Register File ..... 13

    5.6 Stack Pointer ..... 14

    5.7 Instruction Execution Timing ..... 14

    5.8 Reset and Interrupt Handling ..... 15

**6 Memories ..... 18**

    6.1 In-System Reprogrammable Flash Program Memory ..... 18

    6.2 SRAM Data Memory ..... 18

    6.3 EEPROM Data Memory ..... 20

    6.4 I/O Memory ..... 26

    6.5 General Purpose I/O Registers ..... 26

**7 System Clock ..... 28**

    7.1 Clock Systems and their Distribution ..... 28

    7.2 Clock Sources ..... 29

    7.3 Default Clock Source ..... 30

    7.4 Low Power Crystal Oscillator ..... 30

    7.5 Calibrated Internal RC Oscillator ..... 32

    7.6 PLL ..... 34

    7.7 128 kHz Internal Oscillator ..... 36

    7.8 External Clock ..... 36



7.9	Clock Output Buffer .....	36
7.10	System Clock Prescaler .....	37
<b>8</b>	<b><i>Power Management and Sleep Modes .....</i></b>	<b>39</b>
8.1	Idle Mode .....	40
8.2	ADC Noise Reduction Mode .....	40
8.3	Power-down Mode .....	40
8.4	Standby Mode .....	40
8.5	Power Reduction Register .....	41
8.6	Minimizing Power Consumption .....	42
<b>9</b>	<b><i>System Control and Reset .....</i></b>	<b>44</b>
9.1	Internal Voltage Reference .....	49
9.2	Watchdog Timer .....	49
<b>10</b>	<b><i>Interrupts .....</i></b>	<b>55</b>
10.1	Interrupt Vectors in AT90PWM216/316 .....	55
<b>11</b>	<b><i>I/O-Ports .....</i></b>	<b>60</b>
11.1	Introduction .....	60
11.2	Ports as General Digital I/O .....	61
11.3	Alternate Port Functions .....	65
11.4	Register Description for I/O-Ports .....	78
<b>12</b>	<b><i>External Interrupts .....</i></b>	<b>80</b>
<b>13</b>	<b><i>Timer/Counter0 and Timer/Counter1 Prescalers .....</i></b>	<b>82</b>
<b>14</b>	<b><i>8-bit Timer/Counter0 with PWM .....</i></b>	<b>85</b>
14.1	Overview .....	85
14.2	Timer/Counter Clock Sources .....	87
14.3	Counter Unit .....	87
14.4	Output Compare Unit .....	88
14.5	Compare Match Output Unit .....	90
14.6	Modes of Operation .....	91
14.7	Timer/Counter Timing Diagrams .....	95
14.8	8-bit Timer/Counter Register Description .....	97
<b>15</b>	<b><i>16-bit Timer/Counter1 with PWM .....</i></b>	<b>103</b>
15.1	Overview .....	103
15.2	Accessing 16-bit Registers .....	105

15.3	Timer/Counter Clock Sources .....	108
15.4	Counter Unit .....	109
15.5	Input Capture Unit .....	110
15.6	Output Compare Units .....	112
15.7	Compare Match Output Unit .....	113
15.8	Modes of Operation .....	115
15.9	Timer/Counter Timing Diagrams .....	122
15.10	16-bit Timer/Counter Register Description .....	124
<b>16</b>	<b>Power Stage Controller – (PSC0, PSC1 &amp; PSC2) .....</b>	<b>131</b>
16.1	Features .....	131
16.2	Overview .....	131
16.3	PSC Description .....	132
16.4	Signal Description .....	134
16.5	Functional Description .....	136
16.6	Update of Values .....	141
16.7	Enhanced Resolution .....	141
16.8	PSC Inputs .....	145
16.9	PSC Input Mode 1: Stop signal, Jump to Opposite Dead-Time and Wait .....	150
16.10	PSC Input Mode 2: Stop signal, Execute Opposite Dead-Time and Wait .....	151
16.11	PSC Input Mode 3: Stop signal, Execute Opposite while Fault active .....	152
16.12	PSC Input Mode 4: Deactivate outputs without changing timing. ....	152
16.13	PSC Input Mode 5: Stop signal and Insert Dead-Time .....	153
16.14	PSC Input Mode 6: Stop signal, Jump to Opposite Dead-Time and Wait. ....	154
16.15	PSC Input Mode 7: Halt PSC and Wait for Software Action .....	154
16.16	PSC Input Mode 8: Edge Retrigger PSC .....	154
16.17	PSC Input Mode 9: Fixed Frequency Edge Retrigger PSC .....	155
16.18	PSC Input Mode 14: Fixed Frequency Edge Retrigger PSC and Disactivate Output 156	
16.19	PSC2 Outputs .....	159
16.20	Analog Synchronization .....	159
16.21	Interrupt Handling .....	160
16.22	PSC Synchronization .....	160
16.23	PSC Clock Sources .....	161
16.24	Interrupts .....	162
16.25	PSC Register Definition .....	162
16.26	PSC2 Specific Register .....	171

<b>17</b>	<b><i>Serial Peripheral Interface – SPI</i></b>	<b>175</b>
17.1	Features	175
17.2	$\overline{SS}$ Pin Functionality	179
17.3	Data Modes	183
<b>18</b>	<b><i>USART</i></b>	<b>185</b>
18.1	Features	185
18.2	Overview	185
18.3	Clock Generation	187
18.4	Serial Frame	189
18.5	USART Initialization	190
18.6	Data Transmission – USART Transmitter	192
18.7	Data Reception – USART Receiver	194
18.8	Asynchronous Data Reception	199
18.9	Multi-processor Communication Mode	202
18.10	USART Register Description	203
18.11	Examples of Baud Rate Setting	209
<b>19</b>	<b><i>EUSART (Extended USART)</i></b>	<b>212</b>
19.1	Features	212
19.2	Overview	212
19.3	Serial Frames	213
19.4	Configuring the EUSART	219
19.5	Data Reception – EUSART Receiver	220
19.6	EUSART Registers Description	222
<b>20</b>	<b><i>Analog Comparator</i></b>	<b>229</b>
20.1	Overview	229
20.2	Analog Comparator Register Description	230
<b>21</b>	<b><i>Analog to Digital Converter - ADC</i></b>	<b>236</b>
21.1	Features	236
21.2	Operation	238
21.3	Starting a Conversion	238
21.4	Prescaling and Conversion Timing	239
21.5	Changing Channel or Reference Selection	241
21.6	ADC Noise Canceler	243
21.7	ADC Conversion Result	247
21.8	ADC Register Description	249

21.9	Amplifier .....	254
21.10	Amplifier Control Registers .....	257
<b>22</b>	<b>Digital to Analog Converter - DAC .....</b>	<b>260</b>
22.1	Features .....	260
22.2	Operation .....	261
22.3	Starting a Conversion .....	261
22.4	DAC Register Description .....	262
<b>23</b>	<b>debugWIRE On-chip Debug System .....</b>	<b>265</b>
23.1	Features .....	265
23.2	Overview .....	265
23.3	Physical Interface .....	265
23.4	Software Break Points .....	266
23.5	Limitations of debugWIRE .....	266
23.6	debugWIRE Related Register in I/O Memory .....	266
<b>24</b>	<b>Boot Loader Support – Read-While-Write Self-Programming .....</b>	<b>267</b>
24.1	Boot Loader Features .....	267
24.2	Application and Boot Loader Flash Sections .....	267
24.3	Read-While-Write and No Read-While-Write Flash Sections .....	267
24.4	Boot Loader Lock Bits .....	270
24.5	Entering the Boot Loader Program .....	271
24.6	Addressing the Flash During Self-Programming .....	273
24.7	Self-Programming the Flash .....	274
<b>25</b>	<b>Memory Programming .....</b>	<b>280</b>
25.1	Program And Data Memory Lock Bits .....	280
25.2	Fuse Bits .....	282
25.3	PSC Output Behaviour During Reset .....	283
25.4	Signature Bytes .....	285
25.5	Calibration Byte .....	285
25.6	Parallel Programming Parameters, Pin Mapping, and Commands .....	285
25.7	Serial Programming Pin Mapping .....	287
25.8	Parallel Programming .....	288
25.9	Serial Downloading .....	296
<b>26</b>	<b>Electrical Characteristics<sup>(1)</sup> .....</b>	<b>301</b>
26.1	Absolute Maximum Ratings* .....	301

26.2	DC Characteristics .....	302
26.3	External Clock Drive Characteristics .....	304
26.4	Maximum Speed vs. $V_{CC}$ .....	304
26.5	PLL Characteristics .....	305
26.6	SPI Timing Characteristics .....	306
26.7	ADC Characteristics .....	308
26.8	Parallel Programming Characteristics .....	309
<b>27</b>	<b><i>AT90PWM216/316 Typical Characteristics – Preliminary Data .....</i></b>	<b>311</b>
27.1	Active Supply Current .....	312
27.2	Idle Supply Current .....	314
27.3	Power-Down Supply Current .....	318
27.4	Standby Supply Current .....	319
27.5	Pin Pull-up .....	319
27.6	Pin Driver Strength .....	321
27.7	Pin Thresholds and Hysteresis .....	323
27.8	BOD Thresholds and Analog Comparator Offset .....	328
27.9	Analog Reference .....	330
27.10	Internal Oscillator Speed .....	331
27.11	Current Consumption of Peripheral Units .....	333
27.12	Current Consumption in Reset and Reset Pulse width .....	336
<b>28</b>	<b><i>Register Summary .....</i></b>	<b>338</b>
<b>29</b>	<b><i>Instruction Set Summary .....</i></b>	<b>342</b>
<b>30</b>	<b><i>Ordering Information .....</i></b>	<b>345</b>
<b>31</b>	<b><i>Package Information .....</i></b>	<b>345</b>
31.1	SO24 .....	346
31.2	SO32 .....	347
31.3	QFN32 .....	348
<b>32</b>	<b><i>Errata .....</i></b>	<b>350</b>
32.1	Errata AT90PWM216/316 revA .....	350
<b>33</b>	<b><i>Datasheet Revision History for AT90PWM216/316 .....</i></b>	<b>351</b>
33.1	Rev. 7710A .....	351
33.2	Rev. 7710B .....	351
33.3	Rev. 7710C .....	351
33.4	Rev. 7710D .....	352

**34 Table of Contents 353**



## Headquarters

---

**Atmel Corporation**  
2325 Orchard Parkway  
San Jose, CA 95131  
USA  
Tel: 1(408) 441-0311  
Fax: 1(408) 487-2600

## International

---

**Atmel Asia**  
Unit 1-5 & 16, 19/F  
BEA Tower, Millennium City 5  
418 Kwun Tong Road  
Kwun Tong, Kowloon  
Hong Kong  
Tel: (852) 2245-6100  
Fax: (852) 2722-1369

**Atmel Europe**  
Le Krebs  
8, Rue Jean-Pierre Timbaud  
BP 309  
78054 Saint-Quentin-en-  
Yvelines Cedex  
France  
Tel: (33) 1-30-60-70-00  
Fax: (33) 1-30-60-71-11

**Atmel Japan**  
9F, Tonetsu Shinkawa Bldg.  
1-24-8 Shinkawa  
Chuo-ku, Tokyo 104-0033  
Japan  
Tel: (81) 3-3523-3551  
Fax: (81) 3-3523-7581

## Product Contact

---

**Web Site**  
[www.atmel.com](http://www.atmel.com)

**Technical Support**  
[avr@atmel.com](mailto:avr@atmel.com)

**Sales Contact**  
[www.atmel.com/contacts](http://www.atmel.com/contacts)

**Literature Requests**  
[www.atmel.com/literature](http://www.atmel.com/literature)

---

**Disclaimer:** The information in this document is provided in connection with Atmel products. No license, express or implied, by estoppel or otherwise, to any intellectual property right is granted by this document or in connection with the sale of Atmel products. **EXCEPT AS SET FORTH IN ATMEL'S TERMS AND CONDITIONS OF SALE LOCATED ON ATMEL'S WEB SITE, ATMEL ASSUMES NO LIABILITY WHATSOEVER AND DISCLAIMS ANY EXPRESS, IMPLIED OR STATUTORY WARRANTY RELATING TO ITS PRODUCTS INCLUDING, BUT NOT LIMITED TO, THE IMPLIED WARRANTY OF MERCHANTABILITY, FITNESS FOR A PARTICULAR PURPOSE, OR NON-INFRINGEMENT. IN NO EVENT SHALL ATMEL BE LIABLE FOR ANY DIRECT, INDIRECT, CONSEQUENTIAL, PUNITIVE, SPECIAL OR INCIDENTAL DAMAGES (INCLUDING, WITHOUT LIMITATION, DAMAGES FOR LOSS OF PROFITS, BUSINESS INTERRUPTION, OR LOSS OF INFORMATION) ARISING OUT OF THE USE OR INABILITY TO USE THIS DOCUMENT, EVEN IF ATMEL HAS BEEN ADVISED OF THE POSSIBILITY OF SUCH DAMAGES.** Atmel makes no representations or warranties with respect to the accuracy or completeness of the contents of this document and reserves the right to make changes to specifications and product descriptions at any time without notice. Atmel does not make any commitment to update the information contained herein. Unless specifically provided otherwise, Atmel products are not suitable for, and shall not be used in, automotive applications. Atmel's products are not intended, authorized, or warranted for use as components in applications intended to support or sustain life.

© 2009 Atmel Corporation. All rights reserved. Atmel®, Atmel logo and combinations thereof, and others are registered trademarks or trademarks of Atmel Corporation or its subsidiaries. Other terms and product names may be trademarks of others.