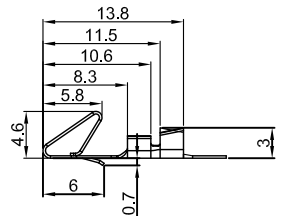


The information provided herein is from CONNFLY Electronic Co., Ltd. and is confidential. Any disclosure to a party other than the recipient is prohibited. The intellectual properties and its rights contained herein, including but not limited to, trademarks, patents, copyrights, trade secrets, and technical know-how, are owned exclusively by CONNFLY or its affiliates. Unauthorized use or reproduction of this document, in any form or by any means, without the prior written consent of CONNFLY, is strictly prohibited. CONNFLY may enforce its intellectual property rights at its own discretion, failures or delays to exercise such rights does not constitute a waiver of such rights.

1 2 3 4 5 6 7 8

REV.	DESCRIPTION	DRAWN	CHECKED	APPROVED
A	NEW RELEASE	LL 10/09/06		LJC 10/09/06
D	DRAWING UPDATE	JLZ 05/04/18'		

Female Terminal

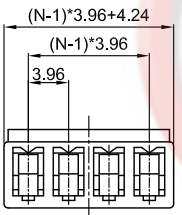


T-DS1072- S C 6 0 0

Contact Plating
6: Tin

Female Terminal

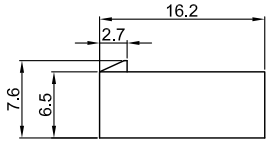
Wire Range		O.D of Wire
Section Area (mm) ²	AWG#	mm
0.2~0.75	24~18	1.3~2.8



I-DS1072- S C T 0 X

No. of contact
02~13

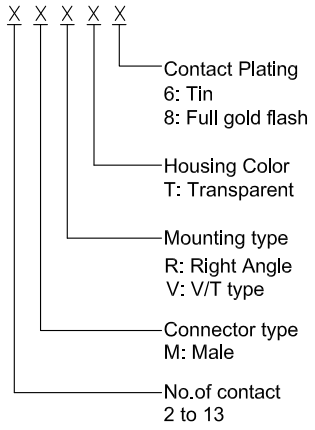
Female Housing



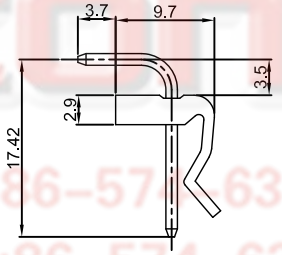
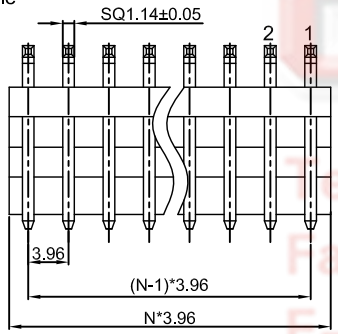
NOTES:

1. MAIN SPECIFICATIONS
 - . Housing material: NYLON 66
 - . Wire range: AWG#24~#18
 - . Rated voltage: 250V
 - . Rated current: 7A(18AWG)
 - . Contact resistance: 30mΩ Max
 - . Insulation resistance: 1000MΩ Min
 - . Withstanding voltage: 1000V, AC 1 minute
 - . Temperature range: -25 ~ +85°C
 - . Recommend PC board thickness: 1.6mm
2. PRODUCT NUMBER CODE:

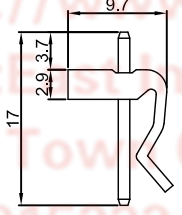
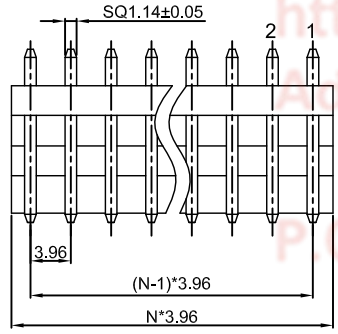
DS1072 - X X X X X



Male Right Angle



Male V/T TYPE



N=No. of contacts

GENERAL TOLERANCE		ANGLE TOLERANCE	
X.	±0.60	X.	±5°
.X	±0.38	.X	±3°
.XX	±0.25	.XX	±2°

PROJECTION		TITLE	P.C.B CONNECTOR Pitch 3.96mm
UNITS	mm	SHEET	DS1072 SERIES
SHEET SIZE	A4	SERIES	DS1072 SERIES

DRAWING TYPE	CUSTOMER		
SCALE	1:1	SHEET	1 OF 1
DRAWING NO.	C-DS1072-XXXXX-D		

晨翔电子有限公司
CONNFLY CONNFLY ELECTRONIC CO. LTD

1 2 3 4 5 6 7 8