

**PLEASE CHECK WWW.MOLEX.COM FOR LATEST PART INFORMATION**

**Part Number:** [0443800001](#)  
**Status:** **Active**  
**Overview:** [modular\\_plugs\\_jacks](#)  
**Description:** Modular Jack, Right Angle, Low Profile, Inverted, 8/8, Unshielded

**Documents:**

[3D Model](#) [Product Specification PS-43860-003 \(PDF\)](#)  
[Drawing \(PDF\)](#) [RoHS Certificate of Compliance \(PDF\)](#)  
[Application Specification \(PDF\)](#)

**Agency Certification**

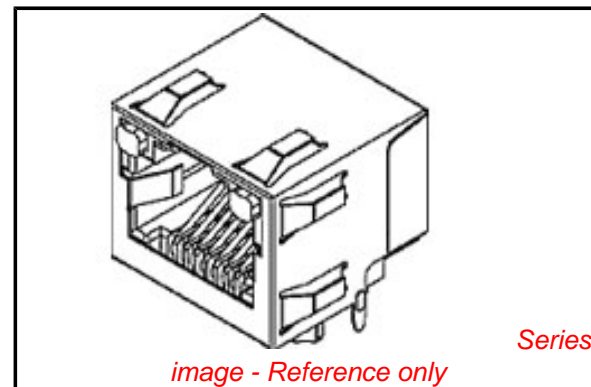
CSA LR19980  
 UL E107635

**General**

Product Family Modular Jacks/Plugs  
 Series [44380](#)  
 Component Type PCB Jack  
 Magnetic No  
 Overview [modular\\_plugs\\_jacks](#)  
 Performance Category 3  
 Power over Ethernet (PoE) N/A  
 Product Name RJ45

**Physical**

Boot Color N/A  
 Color - Resin Black  
 Durability (mating cycles max) 500  
 Inverted / Top Latch Yes  
 Keying to Mating Part None  
 Lightpipes/LEDs None  
 Material - Metal Phosphor Bronze  
 Material - Plating Mating Gold  
 Material - Plating Termination Tin  
 Material - Resin High Temperature Thermoplastic  
 Orientation Right Angle (Side Entry)  
 PCB Locator Yes  
 PCB Retention Yes  
 PCB Thickness Recommended (in) 0.039 In  
 PCB Thickness Recommended (mm) 1.00 mm  
 Packaging Type Tube  
 Panel Mount Without Flange  
 Pitch - Mating Interface (in) 0.040 In  
 Pitch - Mating Interface (mm) 1.02 mm  
 Pitch - Term. Interface (in) 0.040 In  
 Pitch - Term. Interface (mm) 1.02 mm  
 Plating min: Mating (µin) 50  
 Plating min: Mating (µm) 1.25  
 Plating min: Termination (µin) 100  
 Plating min: Termination (µm) 2.5  
 Ports 1  
 Positions / Loaded Contacts 8/8  
 Surface Mount Compatible (SMC) Yes  
 Temperature Range - Operating -40°C to +85°C  
 Termination Interface: Style Through Hole  
 Waterproof / Dustproof No



**EU RoHS**

**ELV and RoHS  
 Compliant**  
**REACH SVHC  
 Contains SVHC: No**  
**Halogen-Free  
 Status**

**China RoHS**



**Need more information on product  
 environmental compliance?**

Email [productcompliance@molex.com](mailto:productcompliance@molex.com)  
 For a multiple part number RoHS Certificate of  
 Compliance, [click here](#)

Please visit the [Contact Us](#) section for any  
 non-product compliance questions.

**Search Parts in this Series**

[44380Series](#)

**Mates With**

FCC 68 Plugs

Wire/Cable Type	N/A
<b>Electrical</b>	
Current - Maximum per Contact	1.5A
Grounding to PCB	No
Grounding to Panel	None
Shielded	No
Voltage - Maximum	150V AC (RMS)

**Solder Process Data**

Lead-free Process Capability	Wave Capable (TH only)
------------------------------	------------------------

**Material Info**

**Reference - Drawing Numbers**

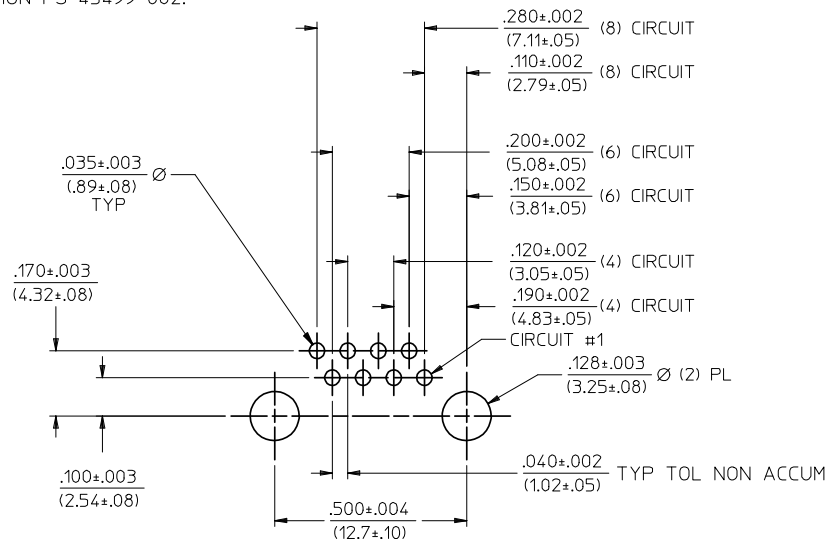
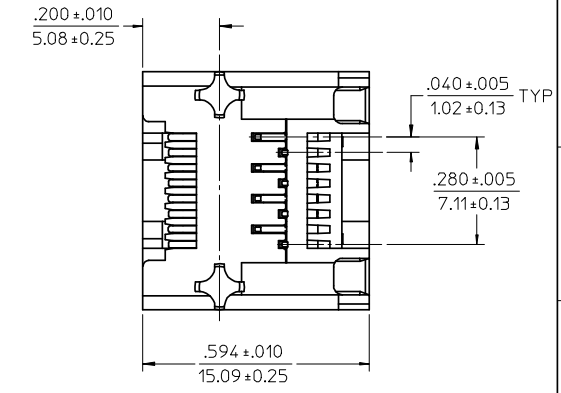
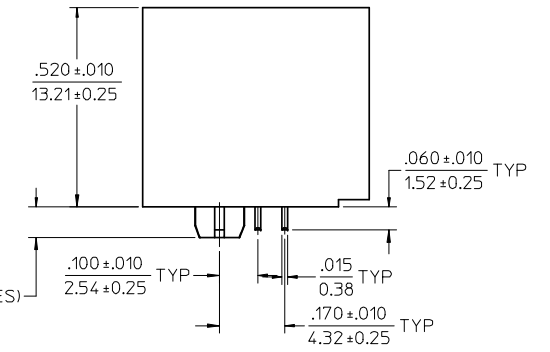
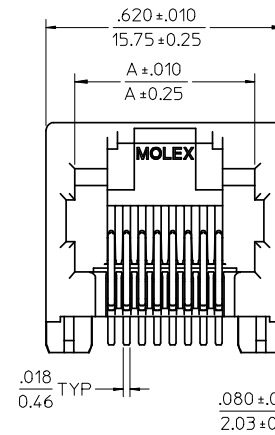
Packaging Specification	PK-43860-004
Product Specification	PS-43860-003, RPS-43860-004, RPS-43860-007, RPS-43860-008, RPS-43860-013
Sales Drawing	SD-44380-001

This document was generated on 06/08/2010

**PLEASE CHECK [WWW.MOLEX.COM](http://WWW.MOLEX.COM) FOR LATEST PART INFORMATION**

NOTES

- 1) MATERIAL:  
HOUSING: GLASS FILLED NYLON, 94V-0 COLOR: BLACK  
TERMINALS: PHOSPHOR BRONZE, .015/(0.38) THICK  
SHIELD: BRASS
- 2) PLATING:  
TERMINALS:  
SELECT GOLD IN CONTACT AREA: 50 MICROINCHES (1.27 MICROMETERS) MIN.,  
\*SELECT TIN IN PC TAIL AREA: 100 MICROINCHES (2.54 MICROMETERS) MIN.,  
WITH OVERALL NICKEL UNDERPLATE: 50 MICROINCHES (1.27 MICROMETERS) MIN.  
\*THE PRIMARY SHIPPING CARTON WILL BE LABELED "COMPLIANT TO RoHS DIRECTIVE 2002/95/EC AND ELV ANNEX II OF DIRECTIVE 2000/53/EC". CARTONS WITHOUT THIS LABEL MAY CONTAIN PRODUCT WITH TIN-LEAD IN THE PC TAIL AREA.
- 3) PRODUCT SPECIFICATION:  
CONNECTOR PERFORMANCE SPECIFICATIONS PER MOLEX PRODUCT SPECIFICATION PS-43860-003
- 4) PACKAGING OPTIONS:  
CONNECTOR ASSEMBLIES IN EXTRUDED TUBES PER PACKAGING SPECIFICATION PK-43860-004
- 5) ALL UNTOLERANCED DIMENSIONS ARE SHOWN FOR REFERENCE ONLY
- 6) CONFORMS TO F.C.C. REGULATION PART 68.5 FOR MODULAR JACKS.
- 7) THIS PART CONFORMS TO CLASS B REQUIREMENTS OF COSMETIC SPECIFICATION PS-45499-002.



PC BOARD LAYOUT  
COMPONENT SIDE OF BOARD  
RECOMMENDED PC BOARD THICKNESS .039/1.00

MATERIAL NUMBER	CONNECTOR SIZE	DIM. "A"	CIRCUITS
44380-0001	8	.470/11.94	8
44380-0002	6	.389/9.88	6
44380-0003	6	.389/9.88	4
44380-0019	8	.470/11.94	4

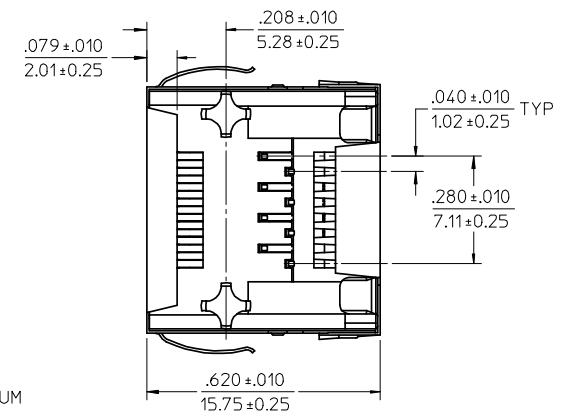
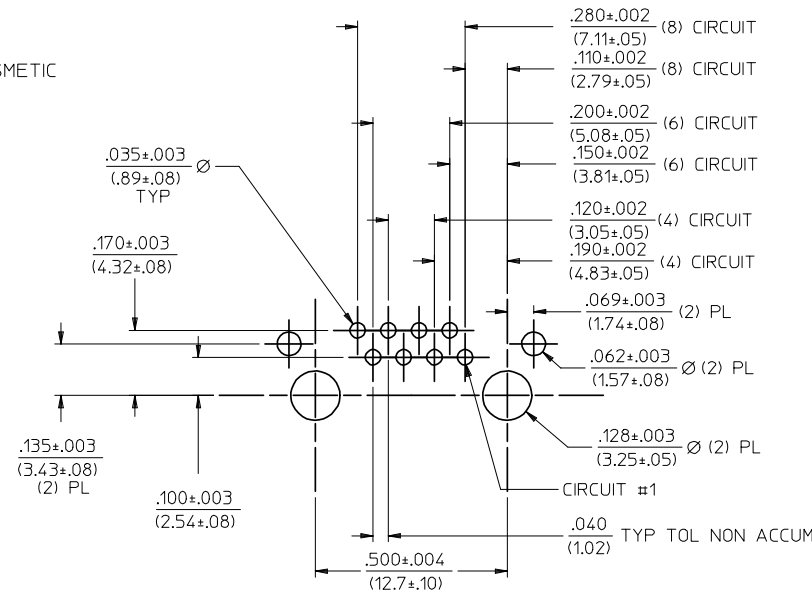
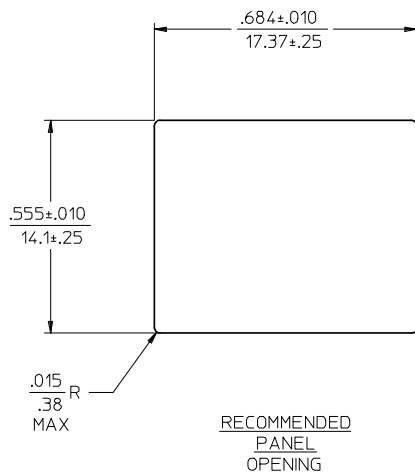
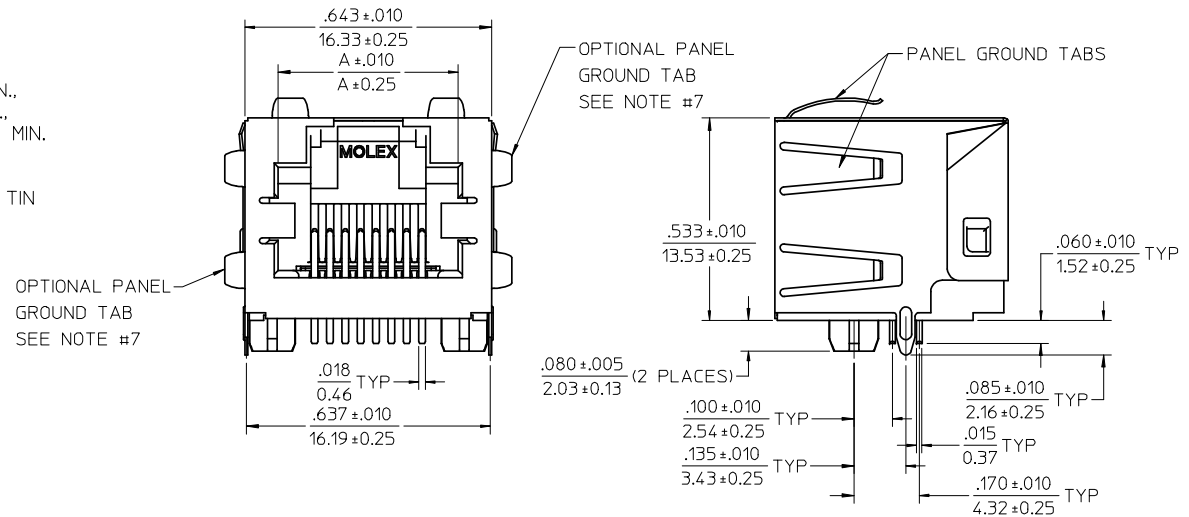
RECREATED IN 3D EC NO: UCP2008-0965 DRWN:JBELL 2007/11/08 CHKD:LSCHMIDT 2007/12/04 APPR:FSMITH 2007/12/05	QUALITY SYMBOLS ▽=0 ▽=0
---	-------------------------------

GENERAL TOLERANCES (UNLESS SPECIFIED)	DIMENSION STYLE IN/MM
4 PLACES ± --- ± ---	DRAWN BY DATE
3 PLACES ± --- ± ---	MAYO 1999/04/09
2 PLACES ± --- ± ---	CHECKED BY DATE
1 PLACE ± --- ± ---	ROBERTS 1999/04/09
ANGULAR ±1/2°	APPROVED BY DATE
	ROBERTS 1999/04/09
DRAFT WHERE APPLICABLE MUST REMAIN WITHIN DIMENSIONS	MATERIAL NO. SEE CHART
	SIZE THIS DRAWING CONTAINS INFORMATION THAT IS PROPRIETARY TO MOLEX INCORPORATED AND SHOULD NOT BE USED WITHOUT WRITTEN PERMISSION

SCALE 4:1	DESIGN UNITS INCH	THIRD ANGLE PROJECTION
TITLE INVERTED MODULAR JACK ASSEMBLY (MINI-PCI COMPLIANT)		
MOLEX MOLEX INCORPORATED		
DOCUMENT NO. SD-44380-001	SHEET NO. 1 OF 5	

- NOTES
- MATERIAL:
    - HOUSING: GLASS FILLED NYLON, 94V-0 COLOR: BLACK
    - TERMINALS: PHOSPHOR BRONZE, .015/(0.38) THICK
    - SHIELD: BRASS
  - PLATING:
    - TERMINALS:
      - SELECT GOLD IN CONTACT AREA: 50 MICROINCHES (1.27 MICROMETERS) MIN.,
      - \*SELECT TIN IN PC TAIL AREA: 100 MICROINCHES (2.54 MICROMETERS) MIN.,
      - WITH OVERALL NICKEL UNDERPLATE: 50 MICROINCHES (1.27 MICROMETERS) MIN.
    - SHIELD:
      - \*100 MICROINCHES (2.54 MICROMETERS) NICKEL OVER 50 MICROINCHES (1.27 MICROMETERS) COPPER UNDERPLATE, PCB GROUND TABS DIPPED IN TIN
      - \*THE PRIMARY SHIPPING CARTON WILL BE LABELED "COMPLIANT TO RoHS DIRECTIVE 2002/95/EC AND ELV ANNEX II OF DIRECTIVE 2000/53/EC". CARTONS WITHOUT THIS LABEL MAY CONTAIN PRODUCT WITH TIN-LEAD IN THE PC TAIL AREA.

- PRODUCT SPECIFICATION:
  - CONNECTOR PERFORMANCE SPECIFICATIONS PER MOLEX PRODUCT SPECIFICATION PS-43860-003
- PACKAGING OPTIONS:
  - CONNECTOR ASSEMBLIES IN THERMOFORMED TRAYS PER PACKAGING SPECIFICATION PK-44380-005
  - OPTION (44380-2004) PACKAGED IN TAPE AND REEL
- ALL UNTOLERANCED DIMENSIONS ARE SHOWN FOR REFERENCE ONLY
- CONFORMS TO F.C.C. REGULATION PART 68.5 FOR MODULAR JACKS
- AVAILABLE WITH THE (2) SPECIFIED PANEL GROUND TABS OMITTED FOR SIDE TO SIDE STACKABILITY, PER THE ASSEMBLY MATERIAL NUMBER TABLE.
- THIS PART CONFORMS TO CLASS B REQUIREMENTS OF COSMETIC SPECIFICATION PS-45499-002.



PC BOARD LAYOUT  
COMPONENT SIDE OF BOARD  
RECOMMENDED PC BOARD THICKNESS: .039/1.00

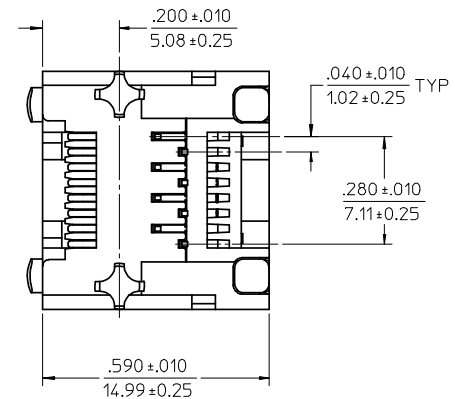
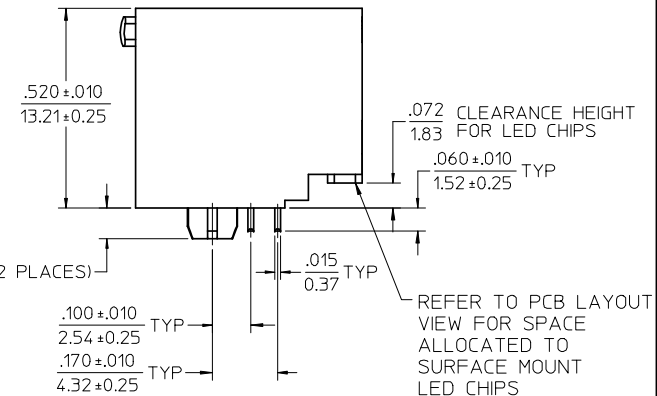
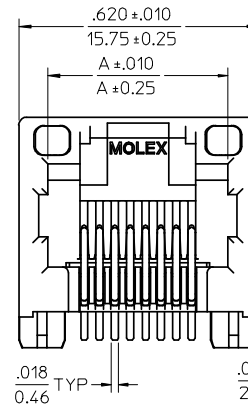
MATERIAL NUMBER	CONNECTOR SIZE	DIM. "A"	CIRCUITS	PANEL GROUND TABS
44380-0004	8	.470/11.94	8	ALL
44380-0005	6	.389/9.88	6	ALL
44380-0006	6	.389/9.88	4	ALL
44380-0013	8	.470/11.94	8	SEE NOTE #7
44380-0014	6	.389/9.88	6	SEE NOTE #7
44380-0015	6	.389/9.88	4	SEE NOTE #7
44380-2004	8	.470/11.94	8	ALL

SEE SHEET 1 EC NO: UCP2008-0965 DRWN:JBELL 2007/11/08 CHKD:LSCHMIDT 2007/12/04 APPR:FSM/TH 2007/12/05	QUALITY SYMBOLS ▽=0 ▽=0	GENERAL TOLERANCES (UNLESS SPECIFIED) <table border="1"> <tr> <th></th> <th>mm</th> <th>INCH</th> </tr> <tr> <td>4 PLACES ±</td> <td>---</td> <td>±---</td> </tr> <tr> <td>3 PLACES ±</td> <td>---</td> <td>±---</td> </tr> <tr> <td>2 PLACES ±</td> <td>---</td> <td>±---</td> </tr> <tr> <td>1 PLACE ±</td> <td>---</td> <td>±---</td> </tr> </table>		mm	INCH	4 PLACES ±	---	±---	3 PLACES ±	---	±---	2 PLACES ±	---	±---	1 PLACE ±	---	±---	DIMENSION STYLE IN/MM	SCALE 4:1	DESIGN UNITS INCH	THIRD ANGLE PROJECTION
				mm	INCH																
4 PLACES ±	---	±---																			
3 PLACES ±	---	±---																			
2 PLACES ±	---	±---																			
1 PLACE ±	---	±---																			
DRAFT WHERE APPLICABLE MUST REMAIN WITHIN DIMENSIONS	SEE CHART	MATERIAL NO. SD-44380-001	DOCUMENT NO.	SHEET NO. 2 OF 5	MOLEX INCORPORATED INVERTED MODULAR JACK ASSEMBLY (MINI-PCI COMPLIANT)																

THIS DRAWING CONTAINS INFORMATION THAT IS PROPRIETARY TO MOLEX INCORPORATED AND SHOULD NOT BE USED WITHOUT WRITTEN PERMISSION

NOTES

- 1) MATERIAL:
  - HOUSING: GLASS FILLED NYLON, 94V-0, COLOR: BLACK
  - TERMINALS: PHOSPHOR BRONZE, .015/(0.38) THK
  - LIGHTPIPE: POLYCARBONATE- WAVE OR HAND SOLDER ONLY (NOT DESIGNED FOR I/R REFLOW OR CONVECTION REFLOW SOLDER PROCESSES)
  - POLYSULFONE - MAXIMUM REFLOW TEMPERATURE: 400°F (205°C)
- 2) PLATING:
  - TERMINAL:
    - SELECT GOLD IN CONTACT AREA: 50 MICROINCHES (1.27 MICROMETERS) MIN.,
    - \*SELECT TIN IN PC TAIL AREA: 100 MICROINCHES (2.54 MICROMETERS) MIN.,
    - WITH OVERALL NICKEL UNDERPLATE: 50 MICROINCHES (1.27 MICROMETERS) MIN.
    - \*THE PRIMARY SHIPPING CARTON WILL BE LABELED "COMPLIANT TO RoHS DIRECTIVE 2002/95/EC AND ELV ANNEX II OF DIRECTIVE 2000/53/EC". CARTONS WITHOUT THIS LABEL MAY CONTAIN PRODUCT WITH TIN-LEAD IN THE PC TAIL AND/OR SHIELD.
- 3) PRODUCT SPECIFICATION:
  - CONNECTOR PERFORMANCE SPECIFICATIONS PER MOLEX PRODUCT SPECIFICATION PS-43860-003
- 4) PACKAGING:
  - PER PACKAGING SPECIFICATION PK-43860-004
- 5) APPLICATION SPECIFICATION: AS-43860-001.
- 6) ALL UNTOLERANCED DIMENSIONS ARE SHOWN FOR REFERENCE ONLY.
- 7) CONFORMS TO F.C.C. REGULATION PART 68.5 FOR MODULAR JACKS.
- 8) REFER TO PAGE (5) OF (5) FOR RECOMMENDED PCB LAYOUT.
- 9) THIS PART CONFORMS TO CLASS B REQUIREMENTS OF COSMETIC SPECIFICATION PS-45499-002.



MATERIAL NUMBER	LIGHTPIPE MATERIAL	CONNECTOR SIZE	DIM. "A"	CIRCUITS
44380-0007	POLYCARBONATE	8	.470/11.94	8
44380-0008	POLYCARBONATE	6	.389/9.88	6
44380-0009	POLYCARBONATE	6	.389/9.88	4
44380-0020	POLYSULFONE	8	.470/11.94	8
44380-0021	POLYSULFONE	6	.389/9.88	6
44380-0022	POLYSULFONE	6	.389/9.88	4

SEE SHEET 1 EC NO: UCP2008-0965 DRWN:JBELL 2007/11/08 CHKD:LSCHMIDT 2007/12/04 APPR:FSM/LTH 2007/12/05	QUALITY SYMBOLS ▽=0 ▽=0
--	-------------------------------

GENERAL TOLERANCES (UNLESS SPECIFIED)	
mm	INCH
4 PLACES ± .010	± .0004
3 PLACES ± .015	± .0006
2 PLACES ± .020	± .0008
1 PLACE ± .030	± .0012
ANGULAR ±1/2°	
DRAFT WHERE APPLICABLE MUST REMAIN WITHIN DIMENSIONS	

DIMENSION STYLE	
IN/MM	
DRAWN BY	DATE
MAYO	1999/04/09
CHECKED BY	DATE
ROBERTS	1999/04/09
APPROVED BY	DATE
ROBERTS	1999/04/09
MATERIAL NO.	
SEE CHART	
SIZE	THIS DRAWING CONTAINS INFORMATION THAT IS PROPRIETARY TO MOLEX INCORPORATED AND SHOULD NOT BE USED WITHOUT WRITTEN PERMISSION

SCALE 4:1	DESIGN UNITS INCH	THIRD ANGLE PROJECTION
INVERTED MODULAR JACK ASSEMBLY (MINI-PCI COMPLIANT)		
MOLEX MOLEX INCORPORATED		
DOCUMENT NO.	SHEET NO.	
SD-44380-001	3 OF 5	

NOTES

1) MATERIAL:  
 HOUSING:  
 GLASS FILLED NYLON, 94V-0, COLOR: BLACK  
 TERMINALS:  
 PHOSPHOR BRONZE, .015/(0.38) THK  
 SHIELD:  
 BRASS  
 LIGHTPIPE:  
 POLYCARBONATE - WAVE OR HAND SOLDER ONLY  
 (NOT DESIGNED FOR I/R REFLOW OR CONVECTION REFLOW  
 SOLDER PROCESSES)  
 POLYSULFONE - MAXIMUM REFLOW TEMPERATURE: 400°F (205°C)

2) PLATING:  
 TERMINAL:  
 SELECT GOLD IN CONTACT AREA: 50 MICROINCHES (1.27 MICROMETERS) MIN.,  
 \*SELECT TIN IN PC TAIL AREA: 100 MICROINCHES (2.54 MICROMETERS) MIN.,  
 WITH OVERALL NICKEL UNDERPLATE: 50 MICROINCHES (1.27 MICROMETERS) MIN.  
 SHIELD:  
 \*100 MICROINCHES (2.54 MICROMETERS) NICKEL OVER 50 MICROINCHES  
 (1.27 MICROMETERS) COPPER UNDERPLATE, PCB GROUND TABS DIPPED IN TIN.  
 \*THE PRIMARY SHIPPING CARTON WILL BE LABELED "COMPLIANT  
 TO RoHS DIRECTIVE 2002/95/EC AND ELV ANNEX II OF DIRECTIVE  
 2002/53/EC". CARTONS WITHOUT THIS LABEL MAY CONTAIN  
 PRODUCT WITH TIN-LEAD IN THE PC TAIL AND/OR SHIELD.

3) PRODUCT SPECIFICATION:  
 CONNECTOR PERFORMANCE SPECIFICATIONS PER MOLEX  
 PRODUCT SPECIFICATION PS-43860-003.

4) PACKAGING:  
 CONNECTOR ASSEMBLIES IN THERMOFORMED TRAYS  
 PER PACKAGING SPECIFICATION PK-44380-005 .

5) APPLICATION SPECIFICATION: AS-43860-001.

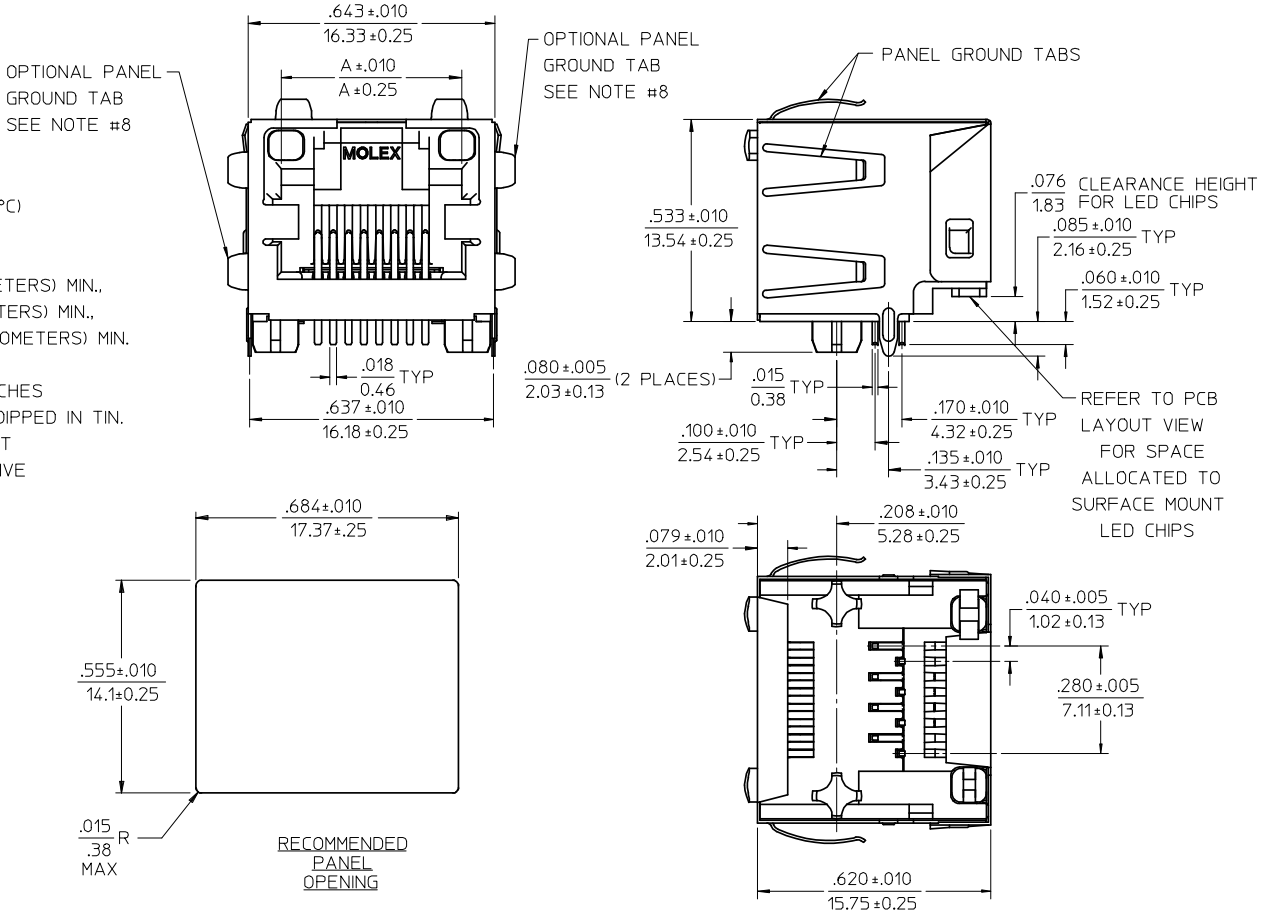
6) ALL UNTOLERANCED DIMENSIONS ARE SHOWN FOR  
 REFERENCE ONLY.

7) CONFORMS TO F.C.C. REGULATION PART 68.5  
 FOR MODULAR JACKS.

8) AVAILABLE WITH THE (2) SPECIFIED PANEL GROUND TABS  
 OMITTED FOR SIDE TO SIDE STACKABILITY, PER THE  
 ASSEMBLY MATERIAL NUMBER TABLE.

9) REFER TO SHEET (5) OF (5) FOR RECOMMENDED PCB LAYOUT.

10) THIS PART CONFORMS TO CLASS B REQUIREMENTS OF COSMETIC  
 SPECIFICATION PS-45499-002.



MATERIAL NUMBER	LIGHTPIPE MATERIAL	CONN SIZE	DIM. "A"	CIRCUITS	PANEL GROUND TABS
44380-0010	POLYCARBONATE	8	.470/11.94	8	ALL
44380-0011	POLYCARBONATE	6	.389/9.88	6	ALL
44380-0012	POLYCARBONATE	6	.389/9.88	4	ALL
44380-0016	POLYCARBONATE	8	.470/11.94	8	SEE NOTE #8
44380-0017	POLYCARBONATE	6	.389/9.88	6	SEE NOTE #8
44380-0018	POLYCARBONATE	6	.389/9.88	4	SEE NOTE #8
44380-1010	POLYSULFONE	8	.470/11.94	8	ALL
44380-1011	POLYSULFONE	6	.389/9.88	6	ALL
44380-1012	POLYSULFONE	6	.389/9.88	4	ALL
44380-1016	POLYSULFONE	8	.470/11.94	8	SEE NOTE #8
44380-1017	POLYSULFONE	6	.389/9.88	6	SEE NOTE #8
44380-1018	POLYSULFONE	6	.389/9.88	4	SEE NOTE #8

SEE SHEET 1

EC NO: WGP2008-09365

DRWN:JBELL 2007/11/08

CHKD:LSCHMIDT 2007/12/04

APPR:FSM.LTH 2007/12/05

DESCRIPTION

QUALITY SYMBOLS

▽=0

▽=0

GENERAL TOLERANCES (UNLESS SPECIFIED)

	mm	INCH
4 PLACES ±	---	---
3 PLACES ±	---	---
2 PLACES ±	---	---
1 PLACE ±	---	---

ANGULAR ±1/2°

DRAFT WHERE APPLICABLE MUST REMAIN WITHIN DIMENSIONS

SIZE

THIS DRAWING CONTAINS INFORMATION THAT IS PROPRIETARY TO MOLEX INCORPORATED AND SHOULD NOT BE USED WITHOUT WRITTEN PERMISSION

DIMENSION STYLE IN/MM

SCALE 4:1

DESIGN UNITS INCH

THIRD ANGLE PROJECTION

DRAWN BY MAYO DATE 1999/04/09

CHECKED BY ROBERTS DATE 1999/04/09

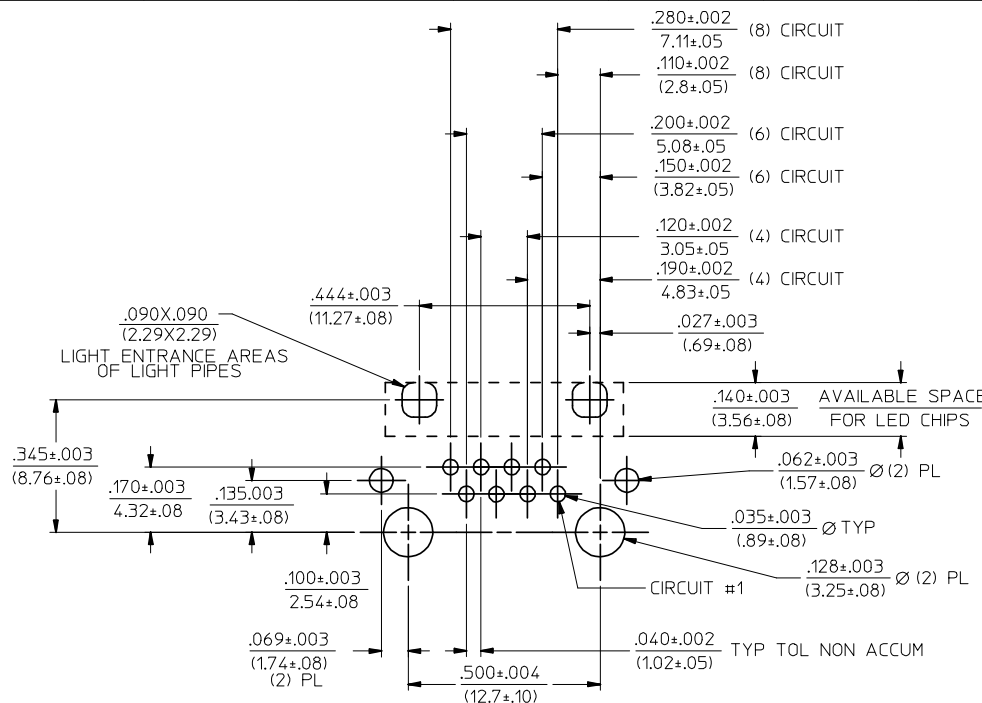
APPROVED BY ROBERTS DATE 1999/04/09

MATERIAL NO. SEE CHART

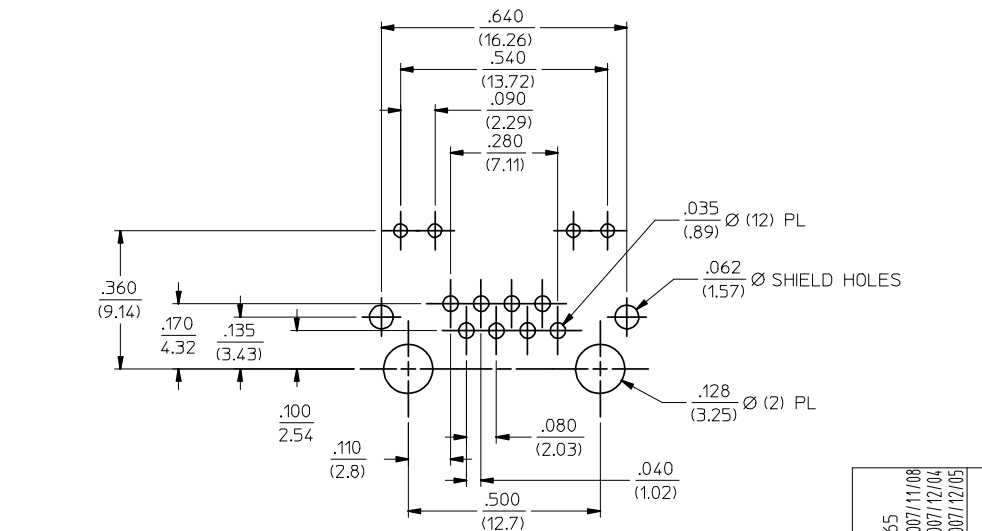
DOCUMENT NO. SD-44380-001

SHEET NO. 4 OF 5

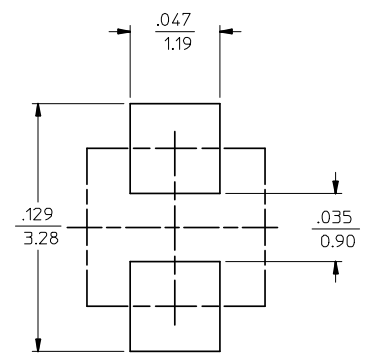
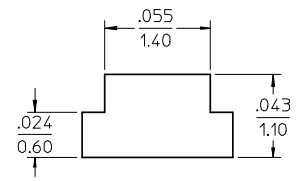
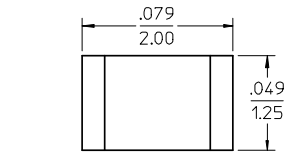
MOLEX MOLEX INCORPORATED



MOLEX RECOMMENDED  
PC BOARD LAYOUT  
COMPONENT SIDE OF BOARD  
RECOMMENDED PC BOARD THICKNESS: .039/1.00



TYPICAL COMPETITION  
PCB LAYOUT WITH  
INTEGRAL LED'S  
(SHOWN FOR REFERENCE ONLY)  
RECOMMENDED PC BOARD THICKNESS: .039/1.00



RECOMMENDED SMT  
LED DIMENSIONS  
SCALE 20:1  
(SEE NOTE 1)

RECOMMENDED SMT  
LED SOLDER PATTERN  
SCALE 20:1  
(SEE NOTE 1)

NOTES:  
1. FOR CROSS REFERENCE OF RECOMMENDED LEDS SEE MOLEX WEB SITE.

SEE SHEET 1 EC NO: UCP2008-0965 DRWN:JBELL 2007/11/08 CHKD:LSCHMIDT 2007/12/04 APPR:FSMITH 2007/12/05	QUALITY SYMBOLS ▽=0 ▽=0	GENERAL TOLERANCES (UNLESS SPECIFIED)	DIMENSION STYLE IN/MM	SCALE 4:1	DESIGN UNITS INCH	THIRD ANGLE PROJECTION													
		<table border="1"> <tr> <th></th> <th>mm</th> <th>INCH</th> </tr> <tr> <td>4 PLACES ±</td> <td>---</td> <td>±---</td> </tr> <tr> <td>3 PLACES ±</td> <td>---</td> <td>±---</td> </tr> <tr> <td>2 PLACES ±</td> <td>---</td> <td>±---</td> </tr> <tr> <td>1 PLACE ±</td> <td>---</td> <td>±---</td> </tr> </table>		mm	INCH	4 PLACES ±	---	±---	3 PLACES ±	---	±---	2 PLACES ±	---	±---	1 PLACE ±	---	±---	DRAWN BY MAYO	DATE 1999/04/09
	mm	INCH																	
4 PLACES ±	---	±---																	
3 PLACES ±	---	±---																	
2 PLACES ±	---	±---																	
1 PLACE ±	---	±---																	
		CHECKED BY ROBERTS	DATE 1999/04/09	MOLEX INCORPORATED															
		APPROVED BY ROBERTS	DATE 1999/04/09	DOCUMENT NO. SD-44380-001		SHEET NO. 5 OF 5													
DRAFT WHERE APPLICABLE MUST REMAIN WITHIN DIMENSIONS		SEE CHART		THIS DRAWING CONTAINS INFORMATION THAT IS PROPRIETARY TO MOLEX INCORPORATED AND SHOULD NOT BE USED WITHOUT WRITTEN PERMISSION															