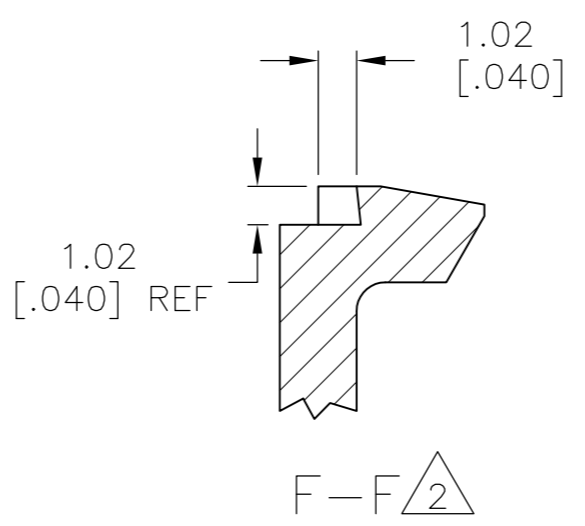
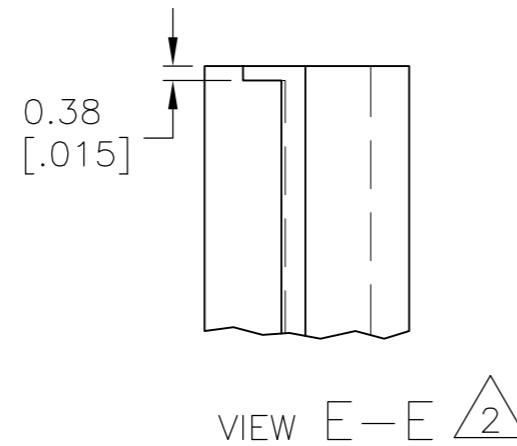
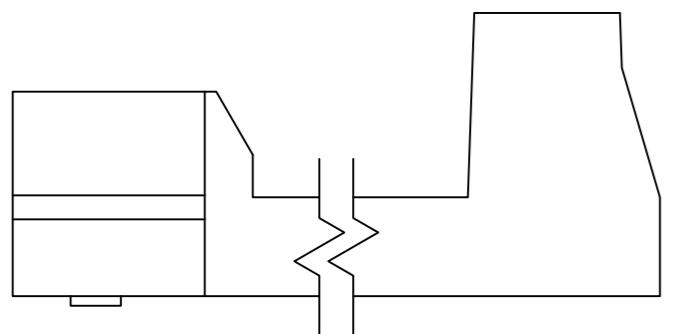
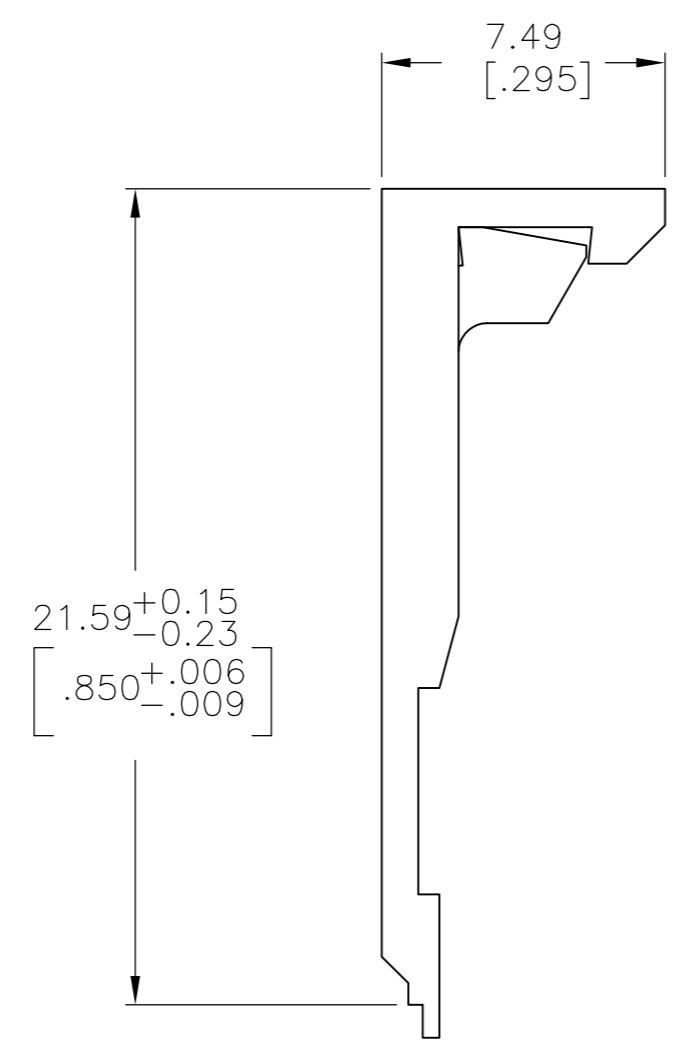
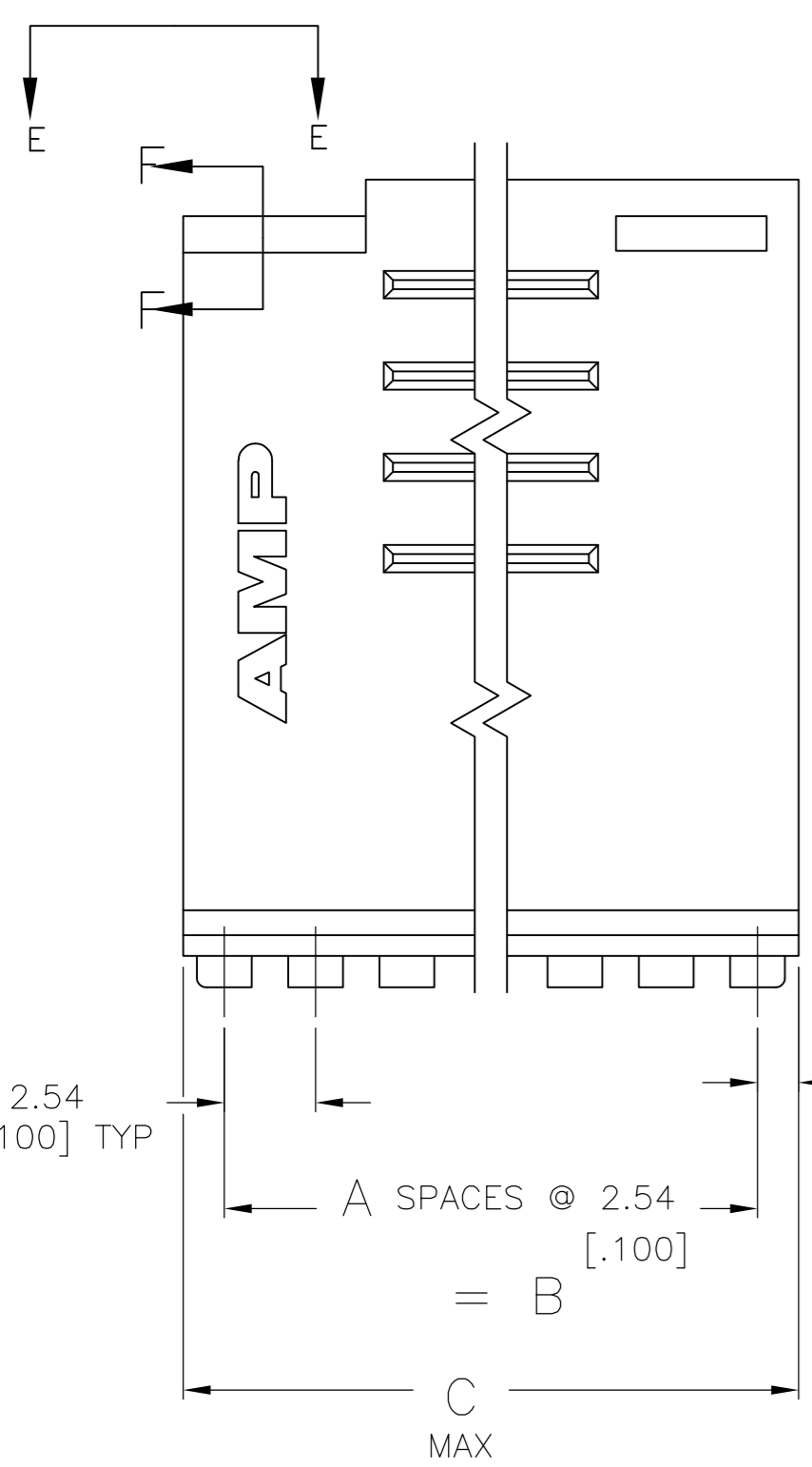


THIS DRAWING IS UNPUBLISHED. RELEASED FOR PUBLICATION
 © COPYRIGHT - By - ALL RIGHTS RESERVED.

LOC		DIST		REVISIONS			
P	LTR	DESCRIPTION		DATE	DWN	APVD	
AD	00	K2	REVISED PER ECO-11-004917	11MAR11	RK	HMR	



- $\triangle 1$ THIS COVER IS TO BE USED IN PAIRS, WITH A DOUBLE ROW HOUSING. NUMBER OF POSITIONS INDICATED PERTAINS TO THE HOUSING.
- $\triangle 2$ THESE VIEWS APPLY TO -1 AND -2 ONLY.
- $\triangle 3$ OBSOLETE PARTS: OBSOLETE CIS STREAMLINING PER D.RENAUD/D.SINISI



OBSOLETE	91.44	[3.600]	88.90	[3.500]	35	72	3-102396-4
OBSOLETE	88.90	[3.500]	86.36	[3.400]	34	70	3-102396-3
OBSOLETE	86.36	[3.400]	83.82	[3.300]	33	68	3-102396-2
OBSOLETE	83.82	[3.300]	81.28	[3.200]	32	66	3-102396-1
$\triangle 3$ OBSOLETE	81.28	[3.200]	78.74	[3.100]	31	64	3-102396-0
$\triangle 3$ OBSOLETE	78.74	[3.100]	76.20	[3.000]	30	62	2-102396-9
$\triangle 3$ OBSOLETE	76.20	[3.000]	73.66	[2.900]	29	60	2-102396-8
OBSOLETE	73.66	[2.900]	71.12	[2.800]	28	58	2-102396-7
OBSOLETE	71.12	[2.800]	68.58	[2.700]	27	56	2-102396-6
OBSOLETE	68.58	[2.700]	66.04	[2.600]	26	54	2-102396-5
OBSOLETE	66.04	[2.600]	63.50	[2.500]	25	52	2-102396-4
OBSOLETE	63.50	[2.500]	60.96	[2.400]	24	50	2-102396-3
OBSOLETE	60.96	[2.400]	58.42	[2.300]	23	48	2-102396-2
OBSOLETE	58.42	[2.300]	55.88	[2.200]	22	46	2-102396-1
OBSOLETE	55.88	[2.200]	53.34	[2.100]	21	44	2-102396-0
OBSOLETE	53.34	[2.100]	50.80	[2.000]	20	42	1-102396-9
OBSOLETE	50.80	[2.000]	48.26	[1.900]	19	40	1-102396-8
OBSOLETE	48.26	[1.900]	45.72	[1.800]	18	38	1-102396-7
OBSOLETE	45.72	[1.800]	43.18	[1.700]	17	36	1-102396-6
OBSOLETE	43.18	[1.700]	40.64	[1.600]	16	34	1-102396-5
$\triangle 3$ OBSOLETE	40.64	[1.600]	38.10	[1.500]	15	32	1-102396-4
$\triangle 3$ OBSOLETE	38.10	[1.500]	35.56	[1.400]	14	30	1-102396-3
$\triangle 3$ OBSOLETE	35.56	[1.400]	33.02	[1.300]	13	28	1-102396-2
OBSOLETE	33.02	[1.300]	30.48	[1.200]	12	26	1-102396-1
OBSOLETE	30.48	[1.200]	27.94	[1.100]	11	24	1-102396-0
$\triangle 3$ OBSOLETE	27.94	[1.100]	25.40	[1.000]	10	22	102396-9
OBSOLETE	25.40	[1.000]	22.86	[.900]	9	20	102396-8
$\triangle 3$ OBSOLETE	22.86	[.900]	20.32	[.800]	8	18	102396-7
OBSOLETE	20.32	[.800]	17.78	[.700]	7	16	102396-6
OBSOLETE	17.78	[.700]	15.24	[.600]	6	14	102396-5
OBSOLETE	15.24	[.600]	12.70	[.500]	5	12	102396-4
OBSOLETE	12.70	[.500]	10.16	[.400]	4	10	102396-3
OBSOLETE	10.16	[.400]	7.62	[.300]	3	8	102396-2
OBSOLETE	7.62	[.300]	5.08	[.200]	2	6	102396-1
			C	B	A	REF $\triangle 1$ NO OF POSN	PART NUMBER

THIS DRAWING IS A CONTROLLED DOCUMENT.

DIMENSIONS: mm [INCHES]	TOLERANCES UNLESS OTHERWISE SPECIFIED: 0 PLC ± - 1 PLC ± - 2 PLC ± 0.13[.005] 3 PLC ± - 4 PLC ± - ANGLES ± -	DWN E. BRANDBERG 13SEP94 CHK J. HERRINGTON 13SEP94 APVD J. HERRINGTON 13SEP94	NAME COVER MASS TERMINATION AMPMODU 2.54[.100] CL
MATERIAL FLAME RETARDANT THERMOPLASTIC, COLOR - BLACK	FINISH -	PRODUCT SPEC - APPLICATION SPEC - WEIGHT -	SIZE A2 CAGE CODE 00779 DRAWING NO C=102396 RESTRICTED TO -
CUSTOMER DRAWING		SCALE 5:1	SHEET 1 OF 1 REV K2

TE Connectivity