



### Model Number

SJ30-A2-6M

### Features

- 30 mm slot width
- 4-wire DC

## Technical Data

### General specifications

Switching function	complementary
Output type	PNP
Slot width	30 mm
Depth of immersion (lateral)	27 ... 31 mm
Output polarity	DC
Output type	4-wire

### Nominal ratings

Operating voltage	$U_B$	10 ... 30 V DC
Switching frequency	$f$	0 ... 150 Hz
Reverse polarity protection		reverse polarity protected
Short-circuit protection		pulsing
Voltage drop	$U_d$	$\leq 3$ V
Operating current	$I_L$	0 ... 200 mA
No-load supply current	$I_0$	$\leq 20$ mA

### Ambient conditions

Ambient temperature	-25 ... 70 °C (-13 ... 158 °F)
---------------------	--------------------------------

### Mechanical specifications

Connection type	cable PVC, 6 m
Core cross-section	0.75 mm <sup>2</sup>
Housing material	ABS
Degree of protection	IP67
Cable	
Cable diameter	6.8 mm $\pm$ 0.2 mm
Bending radius	> 10 x cable diameter

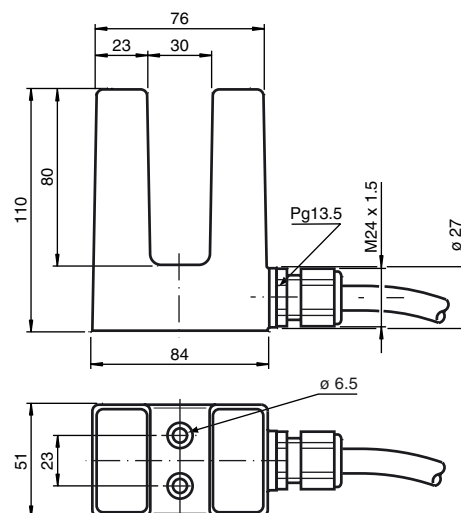
### Compliance with standards and directives

Standard conformity	
Standards	EN 60947-5-2:2007 EN 60947-5-2/A1:2012 IEC 60947-5-2:2007 IEC 60947-5-2 AMD 1:2012

### Approvals and certificates

UL approval	cULus Listed, General Purpose
CSA approval	cCSAus Listed, General Purpose
CCC approval	CCC approval / marking not required for products rated $\leq 36$ V

## Dimensions



## Electrical Connection

