

- Low Cost
- 7-Bit Resolution
- Monotonicity Over Entire A/D Conversion Range
- Ratiometric Conversion
- Conversion Speed . . . Approximately 1 ms
- Single-Supply Operation . . . Either Unregulated 8-V to 18-V (V_{CC2} Input) or Regulated 3.5-V to 6-V (V_{CC1} Input)
- I²L Technology
- Power Consumption at 5 V . . . 25 mW Typ
- Regulated 5.5-V Output (≤ 1 mA)

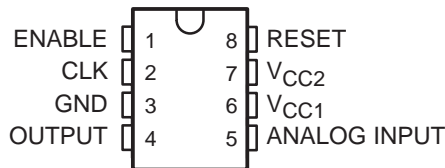
description

The TL507 is a low-cost single-slope analog-to-digital converter designed to convert analog input voltages between $0.25 V_{CC1}$ and $0.75 V_{CC1}$ into a pulse-width-modulated output code. The device contains a 7-bit synchronous counter, a binary weighted resistor ladder network, an operational amplifier, two comparators, a buffer amplifier, an internal regulator, and necessary logic circuitry. Integrated-injection logic (I²L) technology makes it possible to offer this complex circuit at low cost in a small dual-in-line 8-pin package.

In continuous operation, conversion speeds of up to 1000 conversions per second are possible. The TL507 requires external signals for CLK, RESET, and ENABLE. Versatility and simplicity of operation, coupled with low cost, makes this converter especially useful for a wide variety of applications.

The TL507C is characterized for operation from 0°C to 70°C, and the TL507I is characterized for operation from -40°C to 85°C.

**P PACKAGE
(TOP VIEW)**



FUNCTION TABLE

ANALOG INPUT CONDITION	ENABLE	OUTPUT
X	L [†]	H
$V_I < 200$ mV	H	L
$V_{ramp} > V_I > 200$ mV	H	H
$V_I > V_{ramp}$	H	L

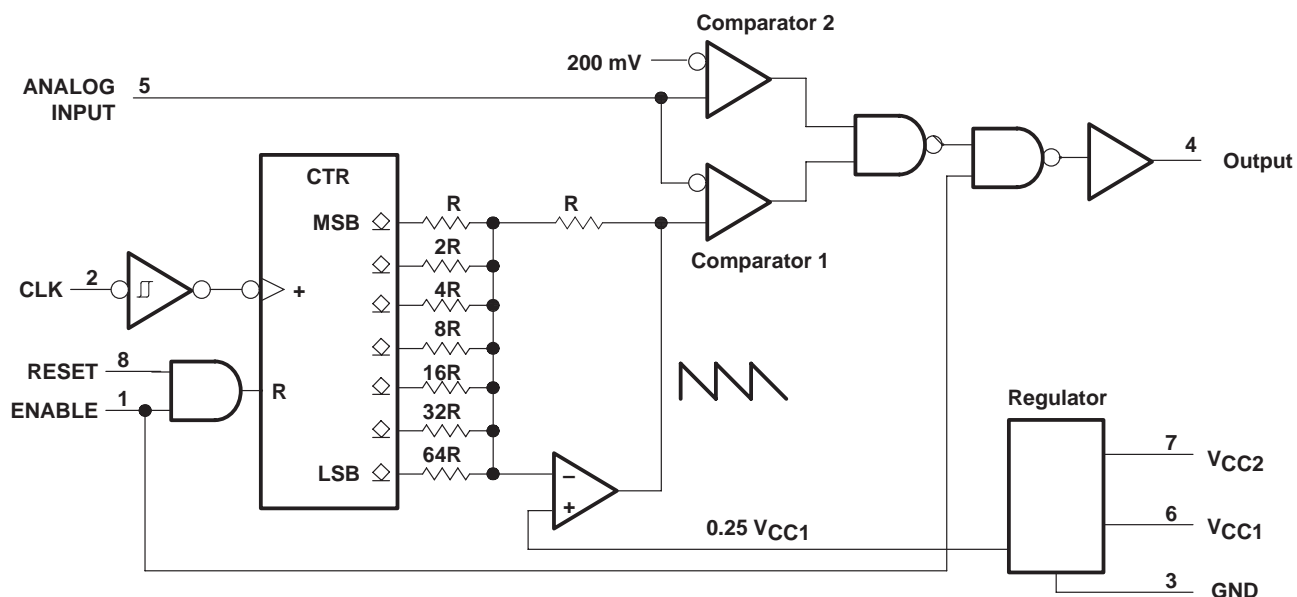
[†] Low level on enable also inhibits the reset function. H = high level, L = low level, X = irrelevant

A high level on RESET clears the counter to zero, which sets the internal ramp to $0.75 V_{CC}$. Internal pull-down resistors keep RESET and ENABLE low when not connected.

TL507C, TL507I ANALOG-TO-DIGITAL CONVERTER

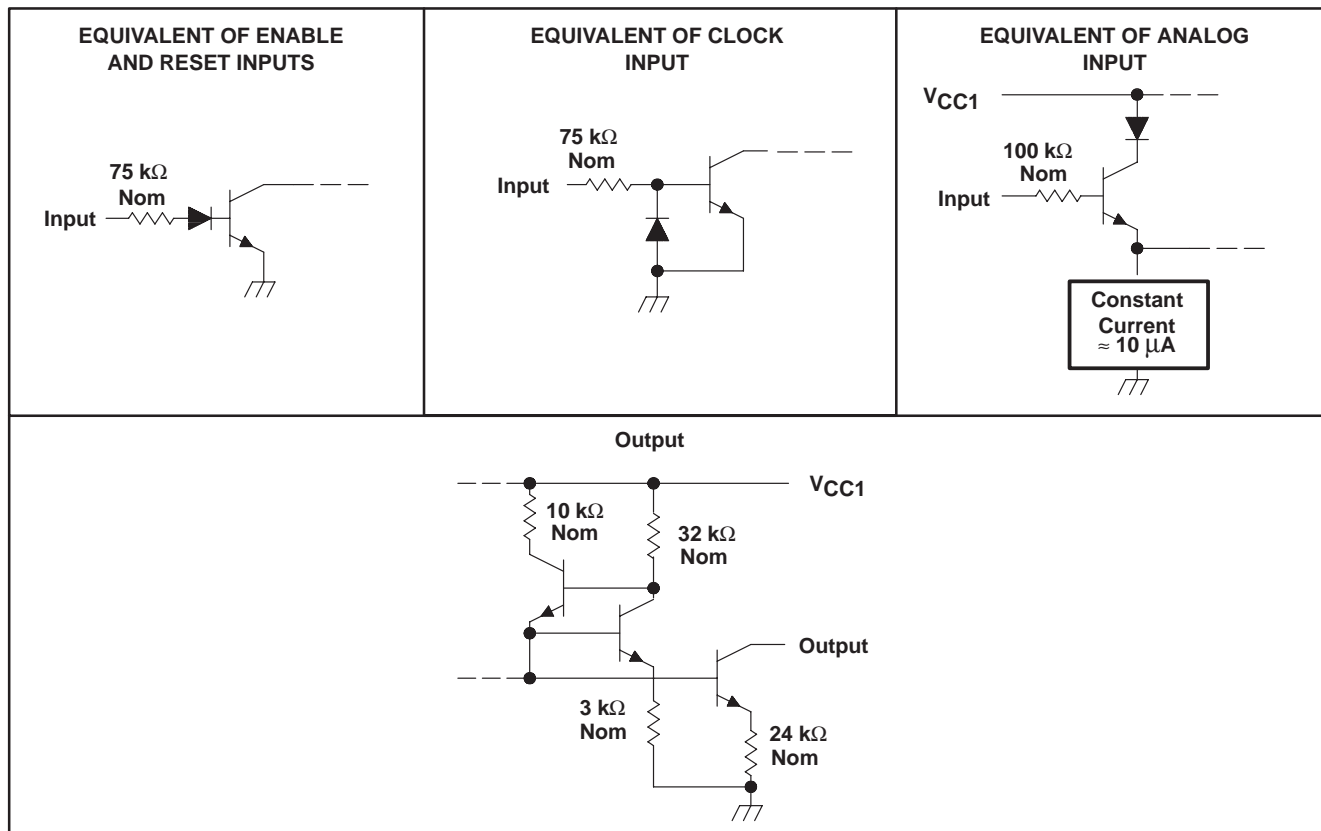
SLAS041 – OCTOBER 1979 – REVISED OCTOBER 1988

functional block diagram (positive logic)



◇ indicates an n-p-n open-collector output.

schematics of inputs and outputs



POST OFFICE BOX 655303 • DALLAS, TEXAS 75265

absolute maximum ratings over operating free-air temperature range (unless otherwise noted)

Supply voltage, V_{CC1} (see Note 1)	6.5 V
Supply voltage, V_{CC2}	20 V
Input voltage at analog input	6.5 V
Input voltage at ENABLE, CLK, and RESET	20 V
On-state output voltage	6 V
Off-state output voltage	20 V
Continuous total dissipation at (or below) 25°C free-air temperature (see Note 2)	1000 mW
Operating free-air temperature range: TL507C	0 to 70°C
TL507I	-40°C to 85°C
Storage temperature range	-65°C to 150°C
Lead temperature 1,6 mm (1/16 inch) from case for 10 seconds	260°C

- NOTES: 1. Voltage values are with respect to network ground terminal unless otherwise noted.
2. For operation above 25°C free-air temperature, derate linearly to 520 mW at 85°C at the rate of 8.0 mW/°C.

recommended operating conditions

	MIN	NOM	MAX	UNIT
Supply voltage, V_{CC1}	3.5	5	6	V
Supply voltage, V_{CC2}	8	15	18	V
Input voltage at ANALOG INPUT	0		5.5	V
Input voltage at ENABLE, CLK, and RESET			±18	V
High-level input voltage, V_{IH} , RESET and ENABLE	2			V
Low-level input voltage, V_{IL} , RESET and ENABLE			0.8	V
On-state output voltage			5.5	V
Off-state output voltage			1.8	V
Clock frequency, f_{clock}	0	125	150	kHz

electrical characteristics over recommended operating free-air temperature range, $V_{CC1} = V_{CC2} = 5$ V (unless otherwise noted)

regular section

PARAMETER	TEST CONDITIONS	MIN	TYP†	MAX	UNIT
V_{CC1} Supply voltage (output)	$V_{CC2} = 10$ V to 18 V, $I_{CC1} = 0$ to -1 mA	5	5.5	6	V
I_{CC1} Supply current	$V_{CC1} = 5$ V, V_{CC2} open		5	8	mA
I_{CC2} Supply current	$V_{CC2} = 15$ V, V_{CC1} open		7	10	mA

inputs

PARAMETER	TEST CONDITIONS	MIN	TYP†	MAX	UNIT
V_{T+} Positive-going threshold voltage‡	CLK			4.5	V
V_{T-} Negative-going threshold voltage‡			0.4		V
V_{hys} Hysteresis ($V_{T+} - V_{T-}$)		2	2.6	4	V
I_{IH} High-level input current	RESET, ENABLE, and CLK	$V_I = 2.4$ V	17	35	μA
I_{IL} Low-level input current		$V_I = 18$ V	130	220	320
I_I Analog input current		$V_I = 0$		±10	μA
		$V_I = 4$ V	10	300	nA

† All typical values are at $T_A = 25^\circ\text{C}$.
‡ These parameters are linear functions of V_{CC1} .

TL507C, TL507I

ANALOG-TO-DIGITAL CONVERTER

SLAS041 – OCTOBER 1979 – REVISED OCTOBER 1988

output section

PARAMETER		TEST CONDITIONS	MIN	TYP†	MAX	UNIT
I_{OH}	High-level output current	$V_{OH} = 18\text{ V}$		0.1	100	μA
I_{OL}	Low-level output current	$V_{OL} = 5.5\text{ V}$	5	10	15	mA
V_{OL}	Low-level output voltage	$I_{OL} = 1.6\text{ mA}$		80	400	mV

operating characteristics over recommended operating free-air temperature range, $V_{CC1} = V_{CC2} = 5.12\text{ V}$

PARAMETER		TEST CONDITIONS	MIN	TYP†	MAX	UNIT
Overall error					± 80	mV
Differential nonlinearity		See Figure 1			± 20	mV
Zero error†‡		Binary count = 0			± 80	mV
Scale error		Binary count = 127			± 80	mV
Full scale input voltage‡		Binary count = 127	3.74	3.82	3.9	V
Propagation delay time from RESET or ENABLE				2		μs

† All typical values are at $T_A = 25^\circ\text{C}$.

‡ These parameters are linear functions of V_{CC1} .

definitions

zero error

The absolute value of the difference between the actual analog voltage at the 01H-to-00H transition and the ideal analog voltage at that transition.

overall error

The magnitude of the deviation from a straight line between the endpoints of the transfer function.

differential nonlinearity

The maximum deviation of an analog-value change associated with a 1-bit code change (1 clock pulse) from its theoretical value of 1 LSB.

PARAMETER MEASUREMENT INFORMATION

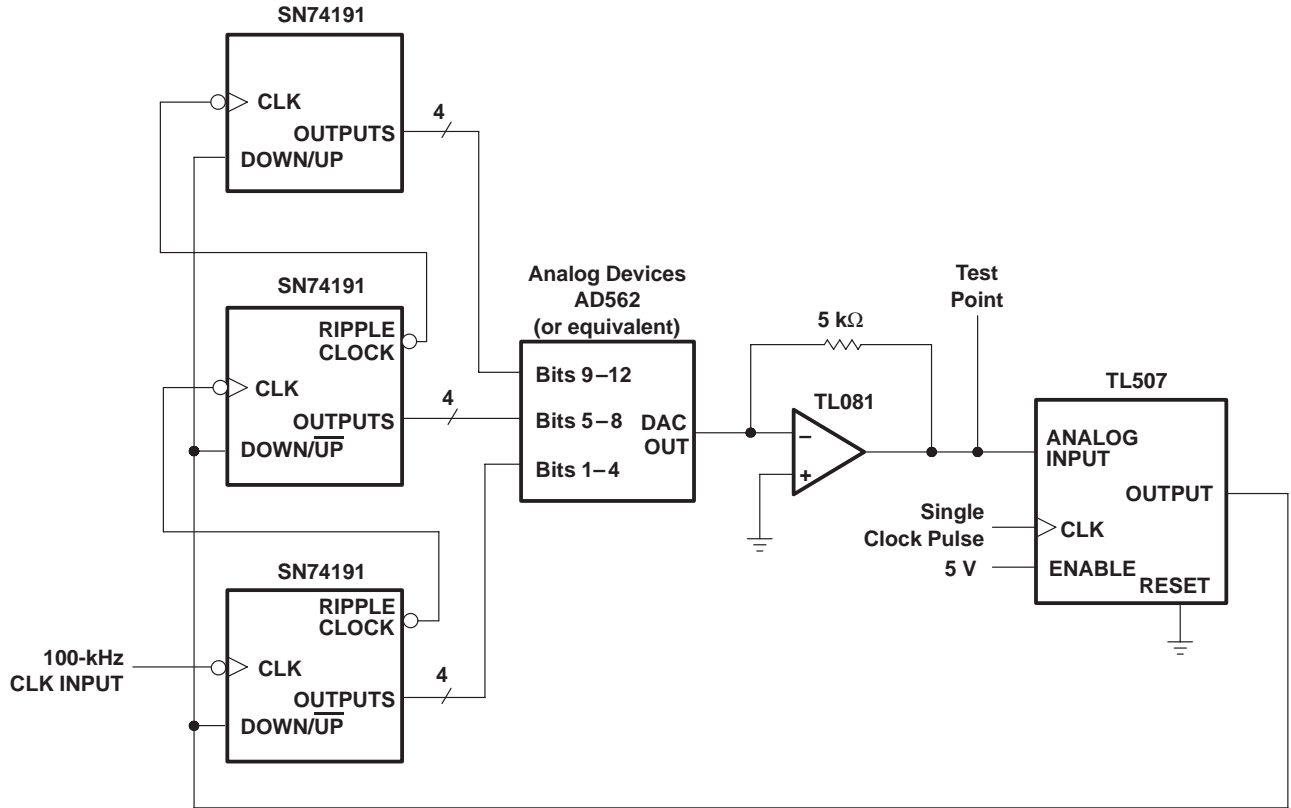


Figure 1. Monotonicity and Nonlinearity Test Circuit

TL507C, TL507I ANALOG-TO-DIGITAL CONVERTER

SLAS041 – OCTOBER 1979 – REVISED OCTOBER 1988

PRINCIPLES OF OPERATION

The TL507 is a single-slope analog-to-digital converter. All single-slope converters are basically voltage-to-time or current-to-time converters. A study of the functional block diagram shows the versatility of the TL507.

An external clock signal is applied through a buffer to a negative-edge-triggered synchronous counter. Binary-weighted resistors from the counter are connected to an operational amplifier used as an adder. The operational amplifier generates a signal that ramps from $0.75 \cdot V_{CC1}$ down to $0.25 \cdot V_{CC1}$. Comparator 1 compares the ramp signal to the analog input signal. Comparator 2 functions as a fault defector. With the analog input voltage in the range $0.25 \cdot V_{CC1}$ to $0.75 \cdot V_{CC1}$, the duty cycle of the output signal is determined by the unknown analog input, as shown in Figure 2 and the Function Table.

For illustration, assume $V_{CC1} = 5.12 \text{ V}$,

$$0.25 \cdot V_{CC1} = 1.28 \text{ V}$$

$$1 \text{ binary count} = \frac{(0.75 - 0.25) V_{CC1}}{128} = 20 \text{ mV}$$

$$0.75 \cdot V_{CC1} - 1 \text{ count} = 3.82 \text{ V}$$

The output is an open-collector n-p-n transistor capable of withstanding up to 18 V in the off state. The output is current limited to the 8- to 12-mA range; however, care must be taken to ensure that the output does not exceed 5.5 V in the on state.

The voltage regulator section allows operation from either an unregulated 8- to 18-V V_{CC2} source or a regulated 3.5- to 6-V V_{CC1} source. Regardless of which external power source is used, the internal circuitry operates at V_{CC1} . When operating from a V_{CC1} source, V_{CC2} may be connected to V_{CC1} or left open. When operating from a V_{CC2} source, V_{CC1} can be used as a reference voltage output.

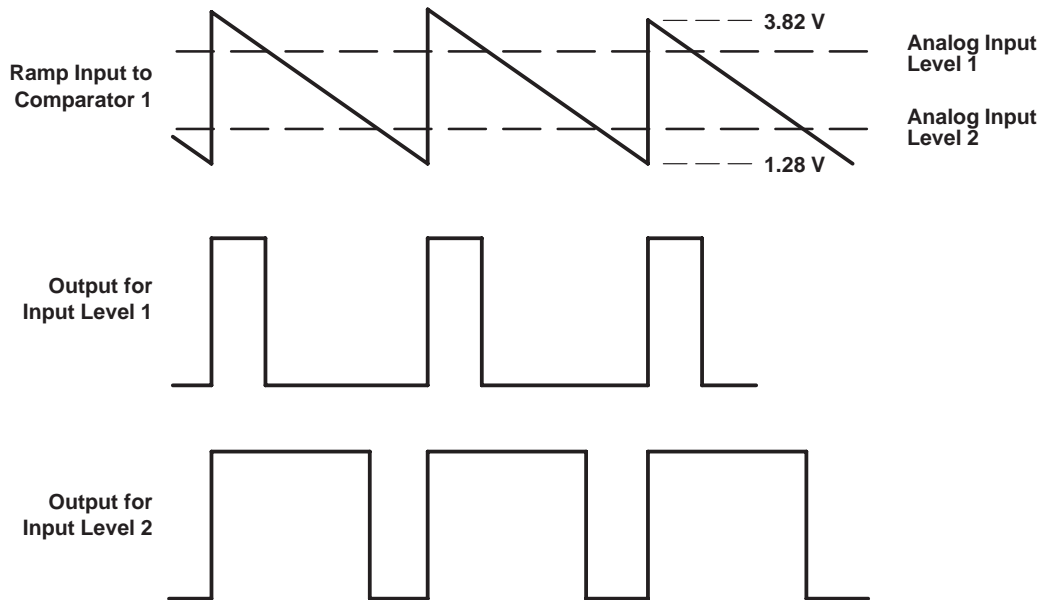


Figure 2

PACKAGING INFORMATION

Orderable Device	Status ⁽¹⁾	Package Type	Package Drawing	Pins	Package Qty	Eco Plan ⁽²⁾	Lead/Ball Finish	MSL Peak Temp ⁽³⁾
TL507CP	OBSOLETE	PDIP	P	8		TBD	Call TI	Call TI

⁽¹⁾ The marketing status values are defined as follows:

ACTIVE: Product device recommended for new designs.

LIFEBUY: TI has announced that the device will be discontinued, and a lifetime-buy period is in effect.

NRND: Not recommended for new designs. Device is in production to support existing customers, but TI does not recommend using this part in a new design.

PREVIEW: Device has been announced but is not in production. Samples may or may not be available.

OBSOLETE: TI has discontinued the production of the device.

⁽²⁾ Eco Plan - The planned eco-friendly classification: Pb-Free (RoHS) or Green (RoHS & no Sb/Br) - please check <http://www.ti.com/productcontent> for the latest availability information and additional product content details.

TBD: The Pb-Free/Green conversion plan has not been defined.

Pb-Free (RoHS): TI's terms "Lead-Free" or "Pb-Free" mean semiconductor products that are compatible with the current RoHS requirements for all 6 substances, including the requirement that lead not exceed 0.1% by weight in homogeneous materials. Where designed to be soldered at high temperatures, TI Pb-Free products are suitable for use in specified lead-free processes.

Green (RoHS & no Sb/Br): TI defines "Green" to mean Pb-Free (RoHS compatible), and free of Bromine (Br) and Antimony (Sb) based flame retardants (Br or Sb do not exceed 0.1% by weight in homogeneous material)

⁽³⁾ MSL, Peak Temp. -- The Moisture Sensitivity Level rating according to the JEDEC industry standard classifications, and peak solder temperature.

Important Information and Disclaimer:The information provided on this page represents TI's knowledge and belief as of the date that it is provided. TI bases its knowledge and belief on information provided by third parties, and makes no representation or warranty as to the accuracy of such information. Efforts are underway to better integrate information from third parties. TI has taken and continues to take reasonable steps to provide representative and accurate information but may not have conducted destructive testing or chemical analysis on incoming materials and chemicals. TI and TI suppliers consider certain information to be proprietary, and thus CAS numbers and other limited information may not be available for release.

In no event shall TI's liability arising out of such information exceed the total purchase price of the TI part(s) at issue in this document sold by TI to Customer on an annual basis.

IMPORTANT NOTICE

Texas Instruments Incorporated and its subsidiaries (TI) reserve the right to make corrections, modifications, enhancements, improvements, and other changes to its products and services at any time and to discontinue any product or service without notice. Customers should obtain the latest relevant information before placing orders and should verify that such information is current and complete. All products are sold subject to TI's terms and conditions of sale supplied at the time of order acknowledgment.

TI warrants performance of its hardware products to the specifications applicable at the time of sale in accordance with TI's standard warranty. Testing and other quality control techniques are used to the extent TI deems necessary to support this warranty. Except where mandated by government requirements, testing of all parameters of each product is not necessarily performed.

TI assumes no liability for applications assistance or customer product design. Customers are responsible for their products and applications using TI components. To minimize the risks associated with customer products and applications, customers should provide adequate design and operating safeguards.

TI does not warrant or represent that any license, either express or implied, is granted under any TI patent right, copyright, mask work right, or other TI intellectual property right relating to any combination, machine, or process in which TI products or services are used. Information published by TI regarding third-party products or services does not constitute a license from TI to use such products or services or a warranty or endorsement thereof. Use of such information may require a license from a third party under the patents or other intellectual property of the third party, or a license from TI under the patents or other intellectual property of TI.

Reproduction of information in TI data books or data sheets is permissible only if reproduction is without alteration and is accompanied by all associated warranties, conditions, limitations, and notices. Reproduction of this information with alteration is an unfair and deceptive business practice. TI is not responsible or liable for such altered documentation.

Resale of TI products or services with statements different from or beyond the parameters stated by TI for that product or service voids all express and any implied warranties for the associated TI product or service and is an unfair and deceptive business practice. TI is not responsible or liable for any such statements.

Following are URLs where you can obtain information on other Texas Instruments products and application solutions:

Products		Applications	
Amplifiers	amplifier.ti.com	Audio	www.ti.com/audio
Data Converters	dataconverter.ti.com	Automotive	www.ti.com/automotive
DSP	dsp.ti.com	Broadband	www.ti.com/broadband
Interface	interface.ti.com	Digital Control	www.ti.com/digitalcontrol
Logic	logic.ti.com	Military	www.ti.com/military
Power Mgmt	power.ti.com	Optical Networking	www.ti.com/opticalnetwork
Microcontrollers	microcontroller.ti.com	Security	www.ti.com/security
		Telephony	www.ti.com/telephony
		Video & Imaging	www.ti.com/video
		Wireless	www.ti.com/wireless

Mailing Address: Texas Instruments
Post Office Box 655303 Dallas, Texas 75265