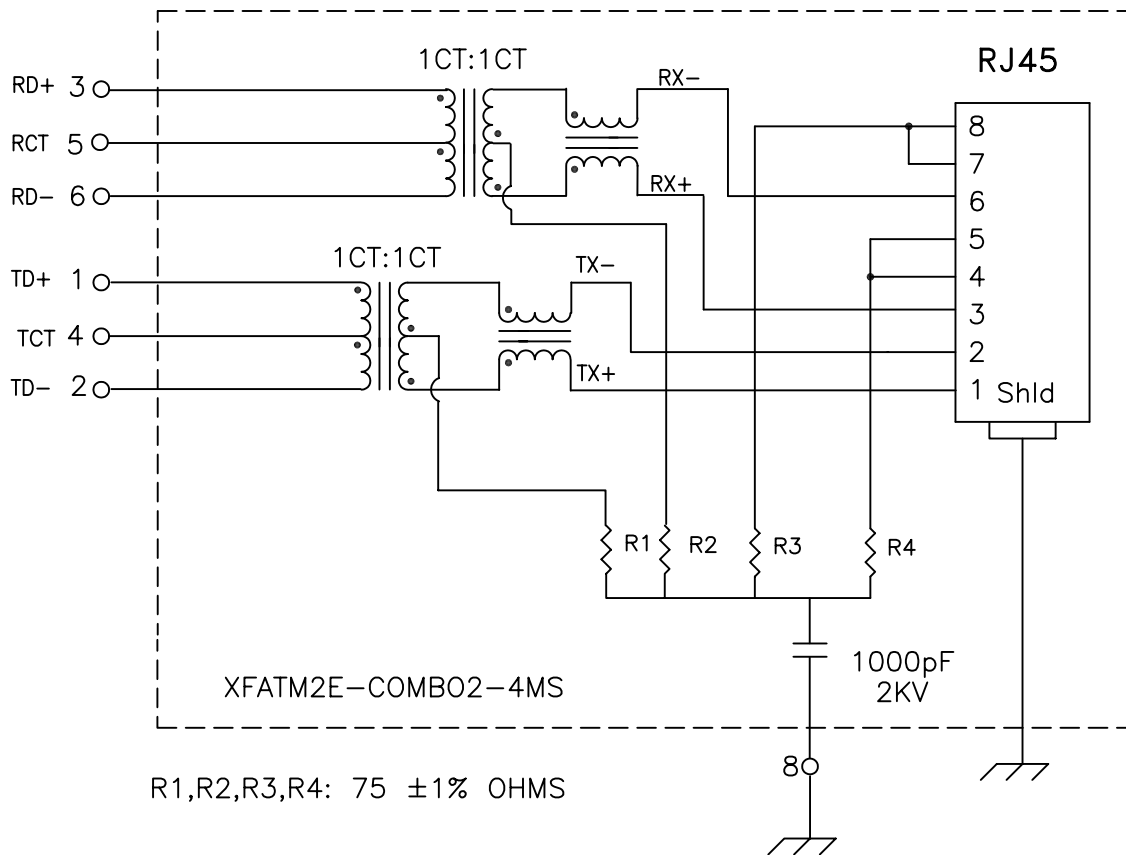


Schematic: (One of two)



Electrical Specifications: @25°C

Isolation Voltage: 1500 Vrms (INPUT to OUTPUT)
 UTP SIDE OCL: 350uH Min @100KHz 100mV 8mADC
 Rise Time (10-90%): 2.5ns Typical
 Insertion Loss (100KHz-100MHz): -1.1dB Maximum
 Insertion Loss (100MHz-125MHz): -1.5dB Maximum
 Return Loss: -18dB Typ. @30MHz
 -12dB Typ. @80MHz

Crosstalk:

100KHz-60MHz -40dB Typical
 60MHz-100MHz -38dB Typical

Common Mode to Differential Mode Rejection:

100KHz-60MHz -45dB Typ (Tx) / -40dB Typ (Rx)
 60MHz-100MHz -40dB Typ (Tx) / -35dB Typ (Rx)

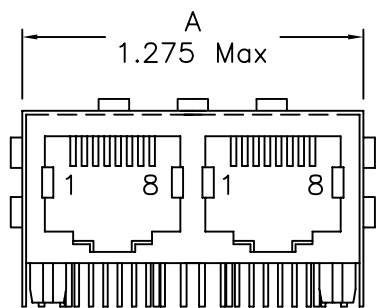
Notes:

1. Solderability: Leads shall meet MIL-STD-202, Method 208D for solderability.
2. Flammability: UL94V-0
3. ASTM oxygen index: > 28%
4. Insulation System: Class F 155°C. UL file E151556
5. Operating Temperature Range: -40°C to +85°C
6. Storage Temperature Range: -55°C to +125°C
7. Aqueous wash compatible

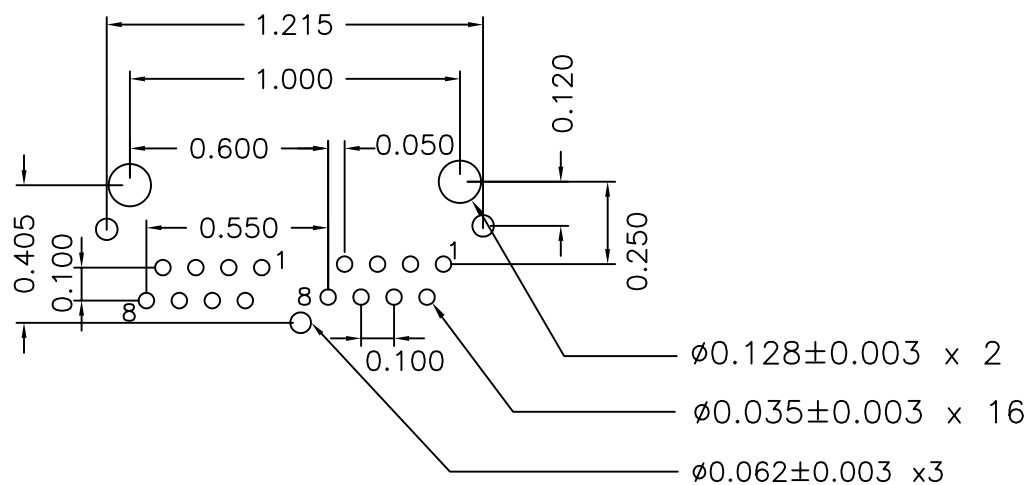
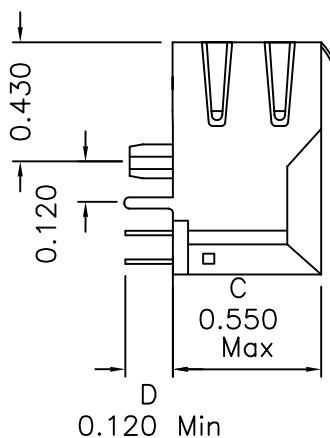
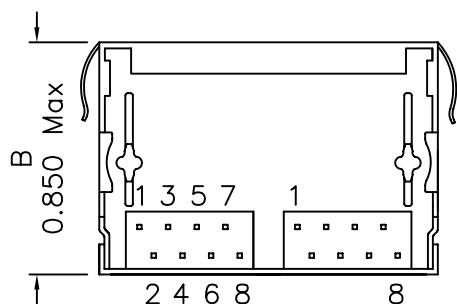
DOC REV: A/1

XFMRs Inc.		Title: TWO PORT COMBO	
		UNLESS OTHERWISE SPECIFIED TOLERANCES: .xxx ±0.010 Dimensions in Inch	P/N: XFATM2E-COMBO2-4MS
SHEET 1 OF 2	APP.	DWN. 李小锋	Aug-12-02
		CHK. 廖玉坤	Aug-12-02
		APP. Isaiah M	Aug-12-02

Mechanical Dimensions:



TOP VIEW



SUGGESTED MOUNTING PATTERN

DOC REV: A/1

XFMRS Inc.	Title: Mechanical Dimensions For COMBO2-4MS Series	
	P/N: XFATM2E-COMBO2-4MS	REV. A
UNLESS OTHERWISE SPECIFIED TOLERANCES: .xxx ±0.010 Dimensions in Inch	DWN.	罗振江 Aug-12-02
	CHK.	廖玉坤 Aug-12-02
SHEET 2 OF 2	APP.	Aug-12-02 Aug-12-02