

PLEASE CHECK WWW.MOLEX.COM FOR LATEST PART INFORMATION

Part Number: [0473632002](#)
Status: **Active**
Description: 1.27mm (.050") Pitch Combo SAS Cable Connector, Right Angle Type, with Arris on both surface, 0.38µm (15µ") Gold(Au) Plating, 22 Circuits, LeadFree

Documents:

[3D Model](#) [Product Specification PS-47362-001 \(PDF\)](#)
[Drawing \(PDF\)](#) [RoHS Certificate of Compliance \(PDF\)](#)

General

Product Family	I/O Connectors
Series	47363
Application	Wire-to-Board
Component Type	Receptacle
Product Name	SAS
Type	N/A

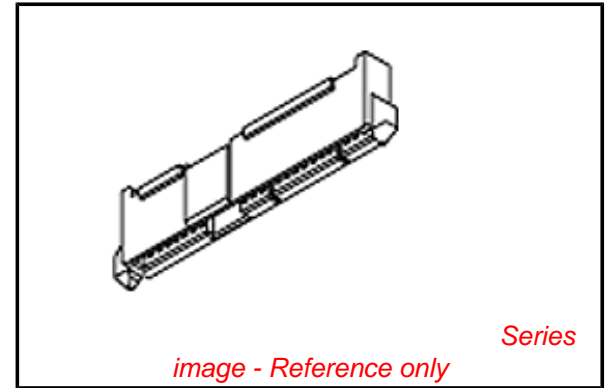
Physical

Boot Color	N/A
Circuits (Loaded)	22
Circuits (maximum)	22
Circuits Detail	Signal 7, Power 15
Durability (mating cycles max)	50
Gender	Receptacle
Keying to Mating Part	Yes
Lock to Mating Part	Yes
Material - Metal	Copper Alloy
Material - Plating Mating	Gold
Material - Plating Termination	Tin
Number of Rows	1
Orientation	Right Angle
PCB Locator	No
PCB Retention	None
Packaging Type	Tray
Panel Mount	No
Pitch - Mating Interface (in)	0.050 In
Pitch - Mating Interface (mm)	1.27 mm
Pitch - Term. Interface (in)	0.050 In
Pitch - Term. Interface (mm)	1.27 mm
Plating min: Mating (µin)	15
Plating min: Mating (µm)	0.38
Plating min: Termination (µin)	50
Plating min: Termination (µm)	1.27
Polarized to Mating Part	Yes
Polarized to PCB	Yes
Ports	2
Temperature Range - Operating	-35°C to +85°C
Termination Interface: Style	Through Hole
Waterproof / Dustproof	No
Wire Size AWG	N/A

Electrical

Current - Maximum per Contact	1.5A
Voltage - Maximum	15V DC

Material Info



EU RoHS

**ELV and RoHS
Compliant**
REACH SVHC
 Not Reviewed
**Halogen-Free
Status**

China RoHS



Not Reviewed

**Need more information on product
environmental compliance?**

Email productcompliance@molex.com
 For a multiple part number RoHS Certificate of Compliance, [click here](#)

Please visit the [Contact Us](#) section for any non-product compliance questions.

Search Parts in this Series

[47363Series](#)

Reference - Drawing Numbers

Product Specification
Sales Drawing

PS-47362-001
SD-47363-100

This document was generated on 04/02/2010

PLEASE CHECK WWW.MOLEX.COM FOR LATEST PART INFORMATION

F

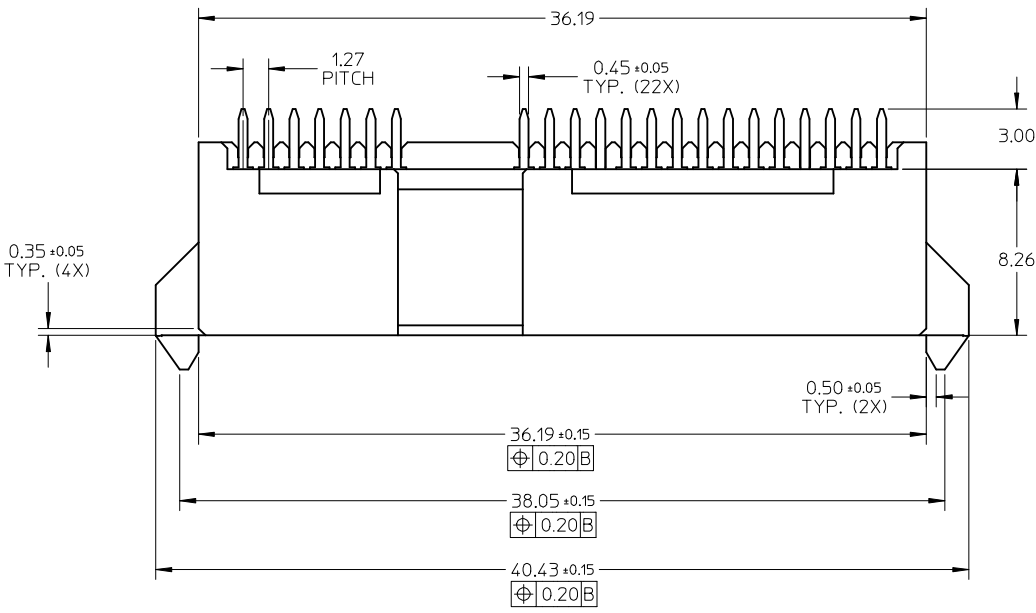
E

D

C

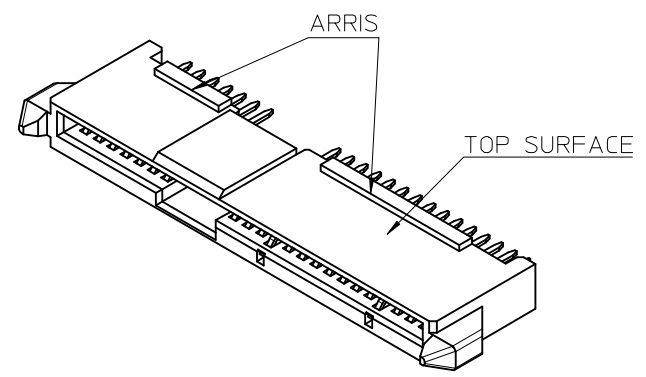
B

A

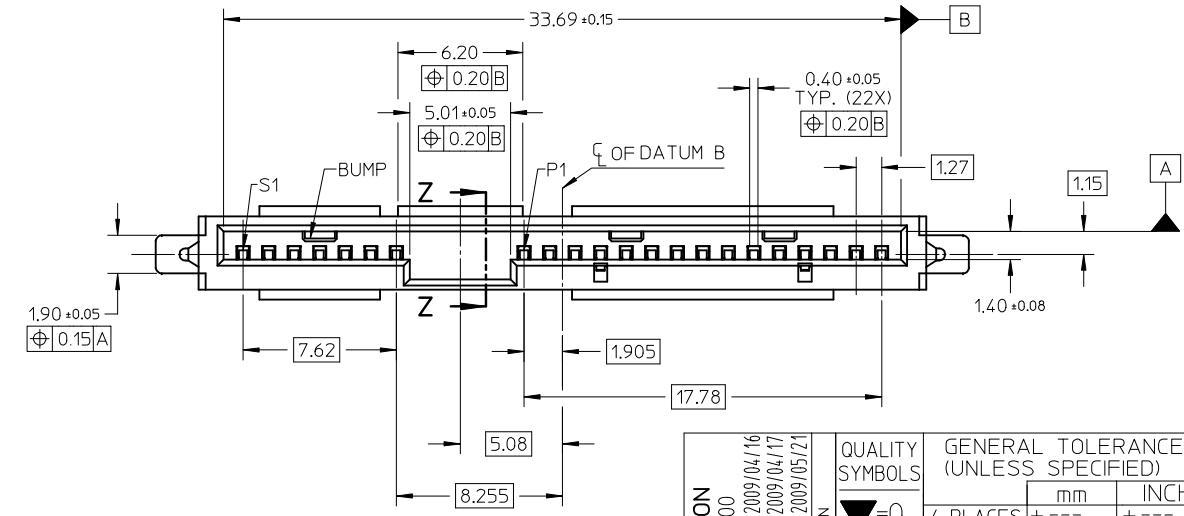
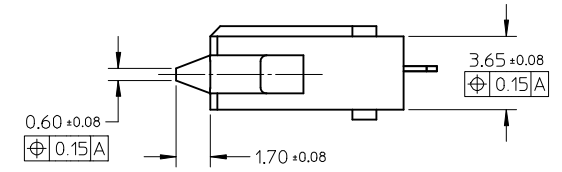


NOTES:

- MATERIAL:
HOUSING: THERMAL PLASTIC, GLASS FILLED, UL94V-0, COLOR: BLACK.
TERMINAL: COPPER ALLOY, THICKNESS=0.25MM.
- TERMINAL PLATING:
CONTACT AREA: GOLD PLATED, SEE TABLE.
SOLDER AREA: PURE TIN, THICKNESS=1.27 MICRONS MINIMUM.
UNDER PLATE: NICKLE, THICKNESS=1.27 MICRONS MINIMUM.
- PRODUCT SPECIFICATION: REFER TO PS-47362-001.
- PACKAGING METHOD: REFER TO PK-47362-001.
- PRODUCT COMPLIANT TO RoHS DIRECTIVE 2002/95/EC AND ELV DIRECTIVE 2000/53/EC



STRAIGHT TYPE

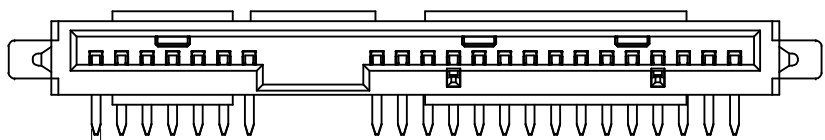
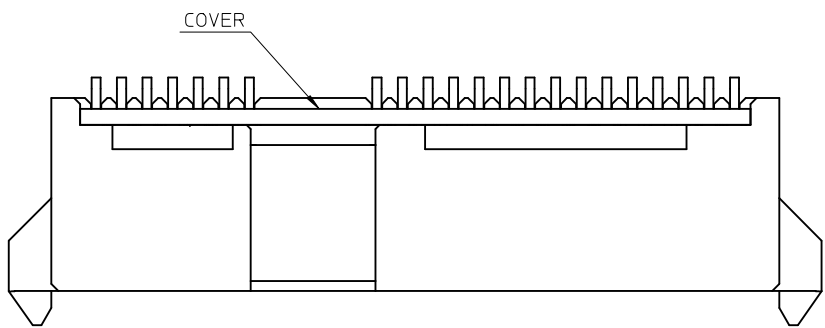
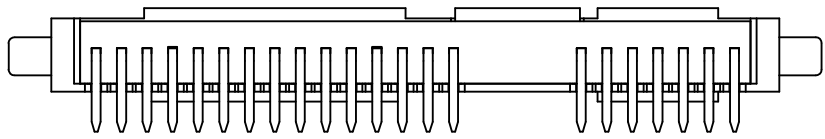


ADD NEW OPTION EC NO: SH2009-0500 DRAWN: XJ SONG 2009/04/16 CHKD: XJ SONG 2009/04/17 APPR: HWANG 2009/05/21	QUALITY SYMBOLS	GENERAL TOLERANCES (UNLESS SPECIFIED)	DIMENSION STYLE	SCALE	DESIGN UNITS	THIRD ANGLE PROJECTION
	▽=0	mm INCH	MM ONLY	4:1	METRIC	
	∇=0	4 PLACES ± --- ± ---	DRAWN BY DATE	TITLE		
		3 PLACES ± --- ± ---	BCHEN26 2005/12/05	COMBO SAS RECEPTACLE CABLE END		
	2 PLACES ± 0.2 ± ---	CHECKED BY DATE	MOLEX INCORPORATED			
	1 PLACE ± 0.25 ± ---	DIXON 2005/12/05	SD-47363-100			
	ANGULAR ± 3 °	APPROVED BY DATE	SHEET NO.			
		GRATE 2005/12/05	1 OF 5			
		MATERIAL NO.	DOCUMENT NO.			
		SEE SHEETS	SD-47363-100			
			THIS DRAWING CONTAINS INFORMATION THAT IS PROPRIETARY TO MOLEX INCORPORATED AND SHOULD NOT BE USED WITHOUT WRITTEN PERMISSION			

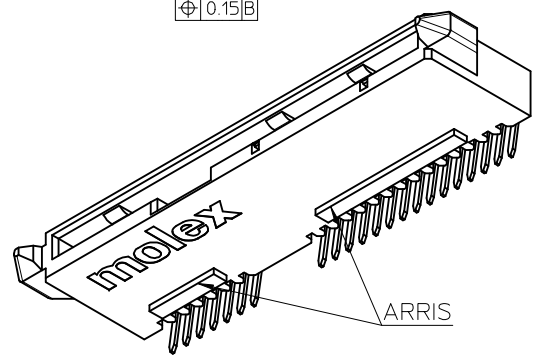
DRAFT WHERE APPLICABLE MUST REMAIN WITHIN DIMENSIONS

SIZE: A3

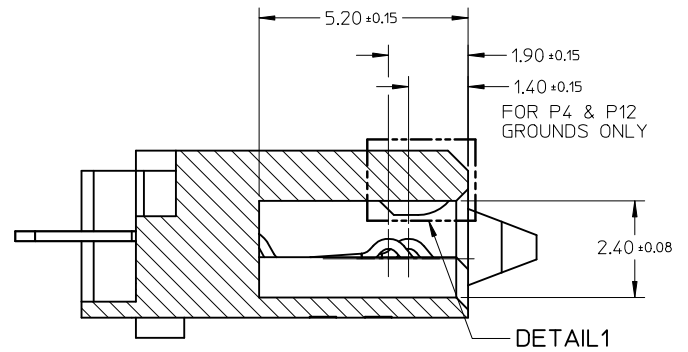
THIS DRAWING CONTAINS INFORMATION THAT IS PROPRIETARY TO MOLEX INCORPORATED AND SHOULD NOT BE USED WITHOUT WRITTEN PERMISSION



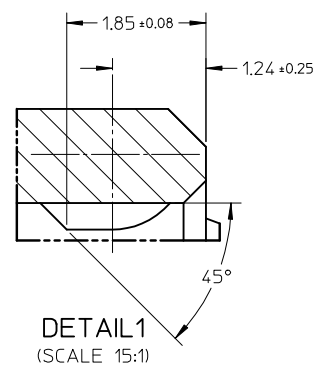
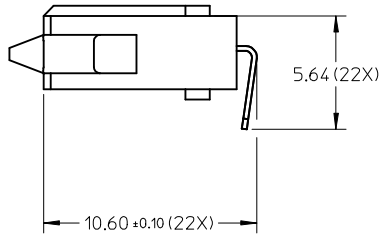
0.45 ±0.05
TYP. (22X)
⌀ 0.15



RIGHT ANGLE(90 DEGREE) TYPE
OTHER DIMENSIONS REFER TO STRAIGHT TYPE



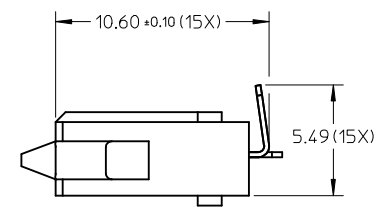
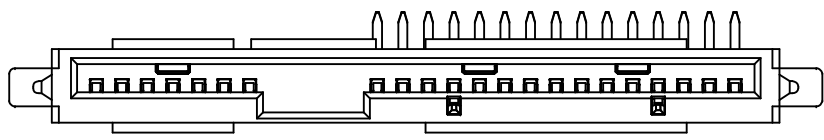
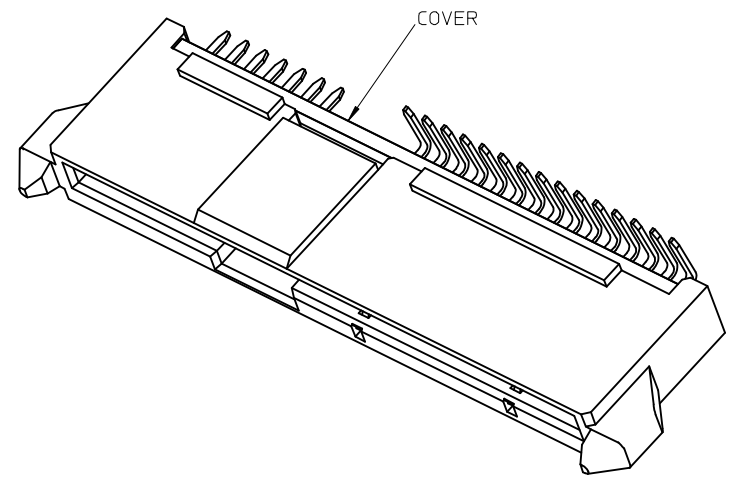
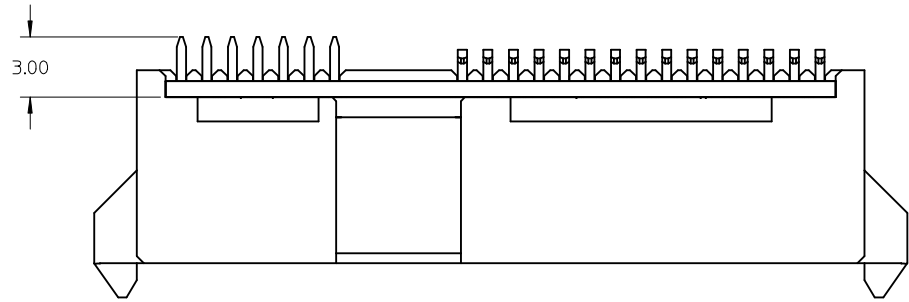
SECTION Z-Z
(SCALE 8:1)



DETAIL 1
(SCALE 15:1)

SEE SHEET 1 EC NO: SHZ009-0500 TDRWNX:J.SONG 2009/04/16 CHKDX:J.SONG 2009/04/17 APPR:HWANG 2009/05/21	QUALITY SYMBOLS ▽=0 ◻=0	GENERAL TOLERANCES (UNLESS SPECIFIED)		DIMENSION STYLE MM ONLY		SCALE 4:1	DESIGN UNITS METRIC	THIRD ANGLE PROJECTION																		
		<table border="1"> <tr> <th></th> <th>mm</th> <th>INCH</th> </tr> <tr> <td>4 PLACES</td> <td>± ---</td> <td>± ---</td> </tr> <tr> <td>3 PLACES</td> <td>± ---</td> <td>± ---</td> </tr> <tr> <td>2 PLACES</td> <td>± 0.2</td> <td>± ---</td> </tr> <tr> <td>1 PLACE</td> <td>± 0.25</td> <td>± ---</td> </tr> <tr> <td colspan="3">ANGULAR ± 3 °</td> </tr> </table>		mm	INCH	4 PLACES	± ---	± ---	3 PLACES	± ---	± ---	2 PLACES	± 0.2	± ---	1 PLACE	± 0.25	± ---	ANGULAR ± 3 °			DRAWN BY BCHEN26	DATE 2005/12/05	TITLE COMBO SAS RECEPTACLE CABLE END			
		mm	INCH																							
	4 PLACES	± ---	± ---																							
3 PLACES	± ---	± ---																								
2 PLACES	± 0.2	± ---																								
1 PLACE	± 0.25	± ---																								
ANGULAR ± 3 °																										
		CHECKED BY DIXON	DATE 2005/12/05	MOLEX INCORPORATED																						
		APPROVED BY GRATE	DATE 2005/12/05	MATERIAL NO. SEE SHEETS		DOCUMENT NO. SD-47363-100	SHEET NO. 2 OF 5																			
		DRAFT WHERE APPLICABLE MUST REMAIN WITHIN DIMENSIONS		THIS DRAWING CONTAINS INFORMATION THAT IS PROPRIETARY TO MOLEX INCORPORATED AND SHOULD NOT BE USED WITHOUT WRITTEN PERMISSION																						

10 9 8 7 6 5 4 3 2 1



COMPOSITE TYPE
OTHER DIMENSIONS REFER TO STRAIGHT TYPE OR RIGHT ANGLE(90 DEGREE) TYPE.

SEE SHEET1 EC NO: SHZ009-0500 TDR:WXYJSONG 2009/04/16 CHKD:XJSONG 2009/04/17 APPR:HWANG 2009/05/21	DESCRIPTION REV	QUALITY SYMBOLS	GENERAL TOLERANCES (UNLESS SPECIFIED)	DIMENSION STYLE	SCALE	DESIGN UNITS	THIRD ANGLE PROJECTION	
		$\nabla = 0$ $\triangle = 0$	mm INCH 4 PLACES ± --- ± --- 3 PLACES ± --- ± --- 2 PLACES ± 0.2 ± --- 1 PLACE ± 0.25 ± --- ANGULAR ± 3 °	MM ONLY	4:1	METRIC		
			DRAFT WHERE APPLICABLE MUST REMAIN WITHIN DIMENSIONS	DRAWN BY: BCHEN26 DATE: 2005/12/05 CHECKED BY: DIXON DATE: 2005/12/05 APPROVED BY: GRATE DATE: 2005/12/05 MATERIAL NO.	TITLE	COMBO SAS RECEPTACLE CABLE END		
			SEE SHEETS	MOLEX INCORPORATED DOCUMENT NO. SD-47363-100 SHEET NO. 3 OF 5				

9 8 7 6 5 4 3 2 1

10 9 8 7 6 5 4 3 2 1

F

E

D

C

B

A

F

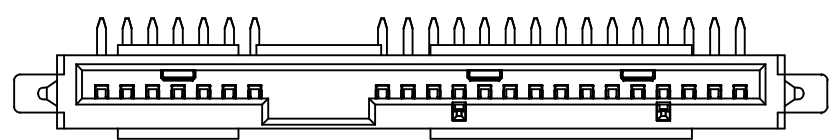
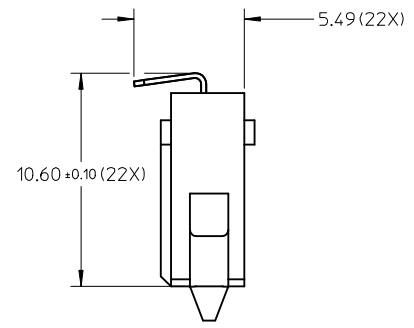
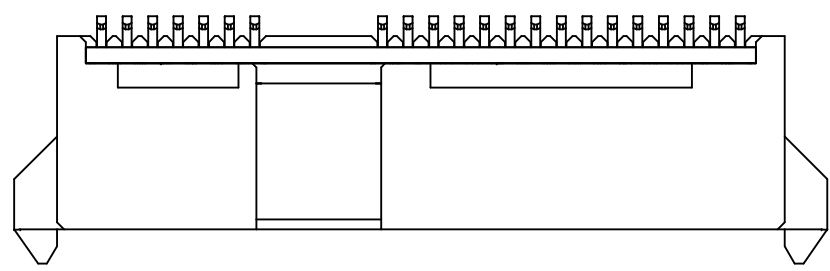
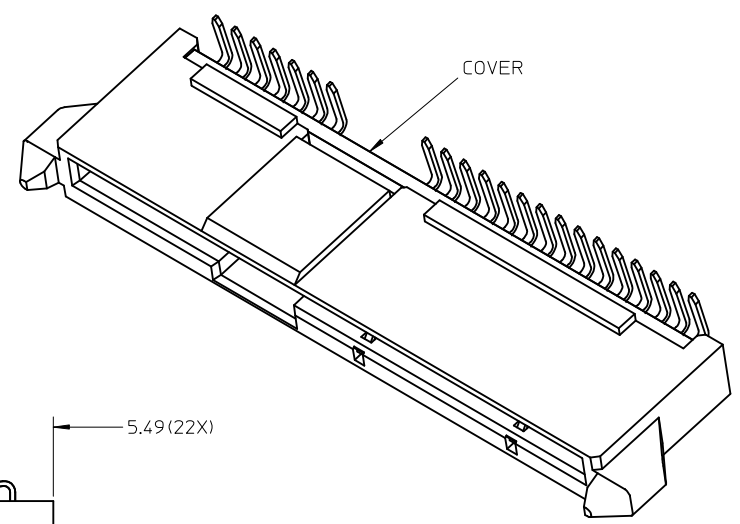
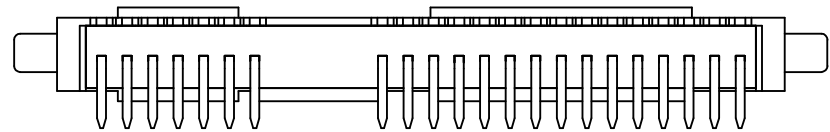
E

D

C

B

A



RIGHT ANGLE(270 DEGREE)TYPE
OTHER DIMENSIONS REFER TO RIGHT ANGLE(90 DEGREE) TYPE.

SEE SHEET1 EC NO: SH2009-0500 DRAWN: XJ SONG 2009/04/16 CHECK: XJ SONG 2009/04/17 APPR: H WANG 2009/05/21	DESCRIPTION REV	QUALITY SYMBOLS	GENERAL TOLERANCES (UNLESS SPECIFIED)	DIMENSION STYLE	SCALE	DESIGN UNITS	THIRD ANGLE PROJECTION	
		$\nabla = 0$ $\sphericalangle = 0$	mm INCH 4 PLACES ± --- ± --- 3 PLACES ± --- ± --- 2 PLACES ± 0.2 ± --- 1 PLACE ± 0.25 ± --- ANGULAR ± 3 °	MM ONLY	4:1	METRIC		
			DRAFT WHERE APPLICABLE MUST REMAIN WITHIN DIMENSIONS	DRAWN BY: B CHEN26 DATE: 2005/12/05 CHECKED BY: DATE: APPROVED BY: DATE: 2005/12/05 GRATE	TITLE	COMBO SAS RECEPTACLE CABLE END		
				MATERIAL NO.	SEE SHEET 5	DOCUMENT NO.	MOLEX INCORPORATED	
				SIZE	THIS DRAWING CONTAINS INFORMATION THAT IS PROPRIETARY TO MOLEX INCORPORATED AND SHOULD NOT BE USED WITHOUT WRITTEN PERMISSION			
				A3				

9 8 7 6 5 4 3 2 1

10	9	8	7	6	5	4	3	2	1	
P/N	PLATE TYPE	REMARK	STRAIGHT OR R/A	P/N	PLATE TYPE	REMARK	STRAIGHT OR R/A			
47363-1000	GOLD FLASH	WITH ARRIS ON BOTH SURFACE	STRAIGHT TYPE	47363-4000	GOLD FLASH	WITH ARRIS ON BOTH SURFACE WITH COVER	RIGHT ANGLE TYPE (270 DEGREE)			
47363-1001	GOLD PLATED 0.76 MICRONS MIN.			47363-4001	GOLD PLATED 0.76 MICRONS MIN.					
47363-1002	GOLD PLATED 0.38 MICRONS MIN.			47363-4002	GOLD PLATED 0.38 MICRONS MIN.					
47363-1010	GOLD FLASH			47363-4010	GOLD FLASH					
47363-1011	GOLD PLATED 0.76 MICRONS MIN.	WITH ARRIS ON TOP SURFACE WITH COVER		47363-4011	GOLD PLATED 0.76 MICRONS MIN.					
47363-1012	GOLD PLATED 0.38 MICRONS MIN.			47363-4012	GOLD PLATED 0.38 MICRONS MIN.					
47363-1020	GOLD FLASH	WITH ARRIS ON BOTTOM SURFACE WITH COVER		47363-4020	GOLD FLASH					
47363-1021	GOLD PLATED 0.76 MICRONS MIN.			47363-4021	GOLD PLATED 0.76 MICRONS MIN.					
47363-1022	GOLD PLATED 0.38 MICRONS MIN.			47363-4022	GOLD PLATED 0.38 MICRONS MIN.					
47363-1030	GOLD FLASH	WITHOUT ARRIS WITH COVER		47363-4030	GOLD FLASH					
47363-1031	GOLD PLATED 0.76 MICRONS MIN.		47363-4031	GOLD PLATED 0.76 MICRONS MIN.						
47363-1032	GOLD PLATED 0.38 MICRONS MIN.		47363-4032	GOLD PLATED 0.38 MICRONS MIN.						
47363-2000	GOLD FLASH	WITH ARRIS ON BOTH SURFACE WITH COVER	RIGHT ANGLE TYPE (90 DEGREE)							
47363-2001	GOLD PLATED 0.76 MICRONS MIN.			47363-2002	GOLD PLATED 0.38 MICRONS MIN.					
47363-2010	GOLD FLASH	WITH ARRIS ON TOP SURFACE WITH COVER								
47363-2011	GOLD PLATED 0.76 MICRONS MIN.			47363-2012	GOLD PLATED 0.38 MICRONS MIN.					
47363-2020	GOLD FLASH	WITH ARRIS ON BOTTOM SURFACE WITH COVER								
47363-2021	GOLD PLATED 0.76 MICRONS MIN.			47363-2022	GOLD PLATED 0.38 MICRONS MIN.					
47363-2030	GOLD FLASH			47363-2031	GOLD PLATED 0.76 MICRONS MIN.					
47363-2031	GOLD PLATED 0.76 MICRONS MIN.	WITHOUT ARRIS WITH COVER								
47363-2032	GOLD PLATED 0.38 MICRONS MIN.			47363-3000	GOLD FLASH					
47363-3000	GOLD FLASH	WITH ARRIS ON BOTH SURFACE WITH COVER		COMPOSITE TYPE						
47363-3001	GOLD PLATED 0.76 MICRONS MIN.		47363-3002		GOLD PLATED 0.38 MICRONS MIN.					
47363-3010	GOLD FLASH	WITH ARRIS ON TOP SURFACE WITH COVER								
47363-3011	GOLD PLATED 0.76 MICRONS MIN.		47363-3012		GOLD PLATED 0.38 MICRONS MIN.					
47363-3020	GOLD FLASH	WITH ARRIS ON BOTTOM SURFACE WITH COVER								
47363-3021	GOLD PLATED 0.76 MICRONS MIN.		47363-3022		GOLD PLATED 0.38 MICRONS MIN.					
47363-3030	GOLD FLASH		47363-3031		GOLD PLATED 0.76 MICRONS MIN.					
47363-3031	GOLD PLATED 0.76 MICRONS MIN.	WITHOUT ARRIS WITH COVER								
47363-3032	GOLD PLATED 0.38 MICRONS MIN.		47363-3032		GOLD PLATED 0.38 MICRONS MIN.					

SEE SHEET1 EC NO: SHZ009-0500 T1 DRW: XJ.SONG 2009/04/16 CHKD: XJ.SONG 2009/04/17 APPR: HWANG 2009/05/21	QUALITY SYMBOLS	GENERAL TOLERANCES (UNLESS SPECIFIED)	DIMENSION STYLE	SCALE	DESIGN UNITS	THIRD ANGLE PROJECTION
	=0 =0	mm INCH	MM ONLY	4:1	METRIC	
		4 PLACES ± --- ± --- 3 PLACES ± --- ± --- 2 PLACES ± 0.2 ± --- 1 PLACE ± 0.25 ± --- ANGULAR ± 3 °	DRAWN BY: BCHEN26 DATE: 2005/12/05 CHECKED BY: DIXON DATE: 2005/12/05 APPROVED BY: GRATE DATE: 2005/12/05	TITLE: COMBO SAS RECEPTACLE CABLE END		
		DRAFT WHERE APPLICABLE MUST REMAIN WITHIN DIMENSIONS	MATERIAL NO. SEE TABLE SIZE: A3	MOLEX INCORPORATED DOCUMENT NO. SD-47363-100	SHEET NO. 5 OF 5	