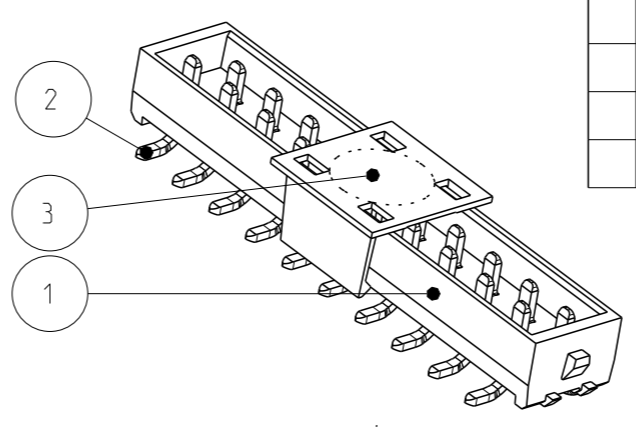
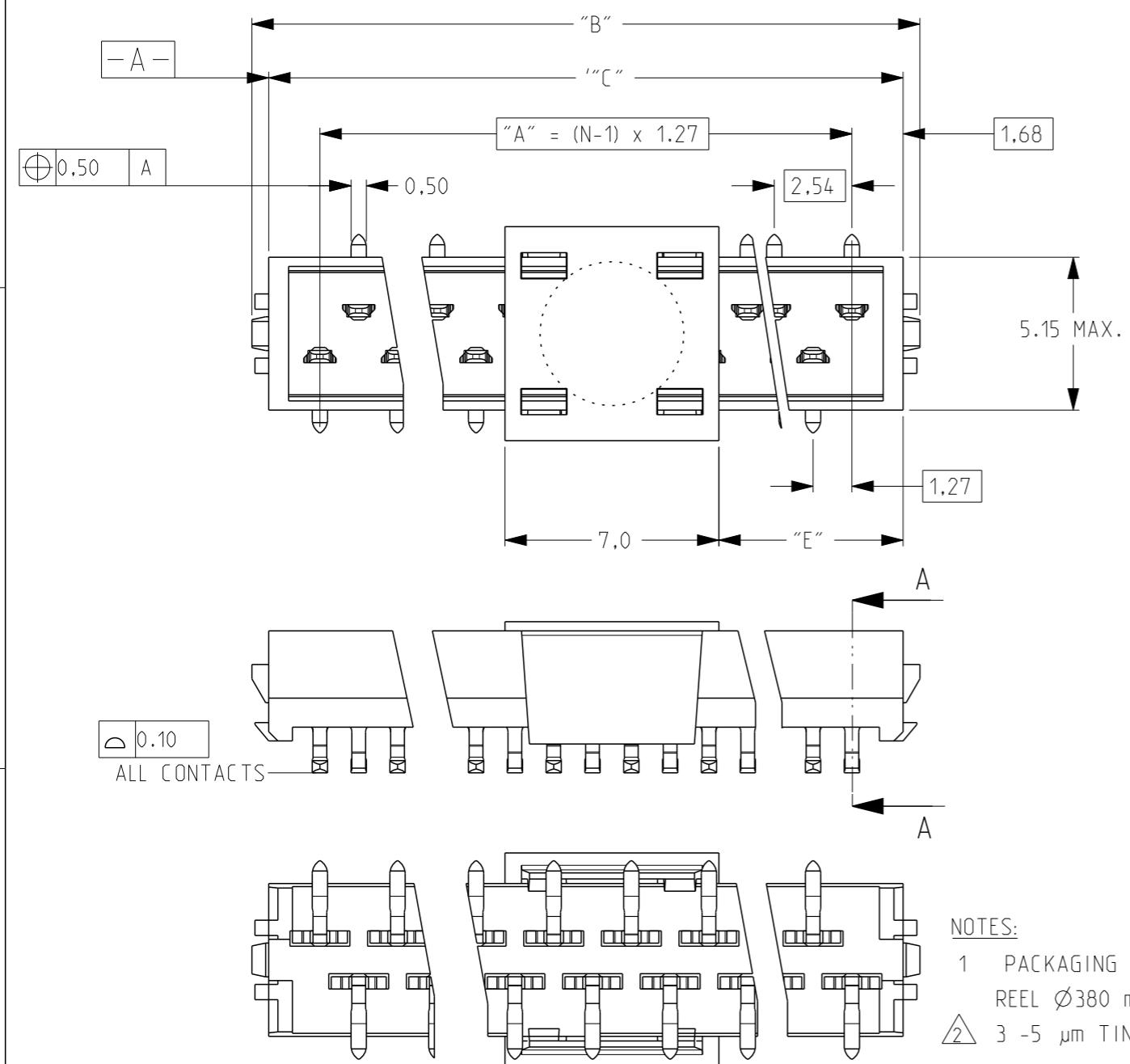
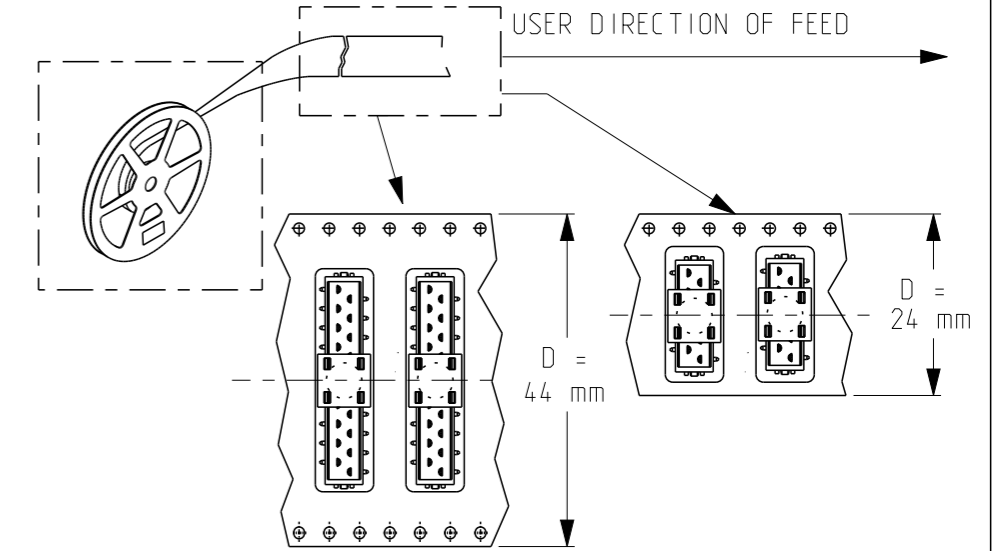


LOC	DIST	REVISIONS					
H	-	P	LTR	DESCRIPTION	DATE	DWN	APVD
			H	ECR -13-008840	30AUG2013	SMT	RP

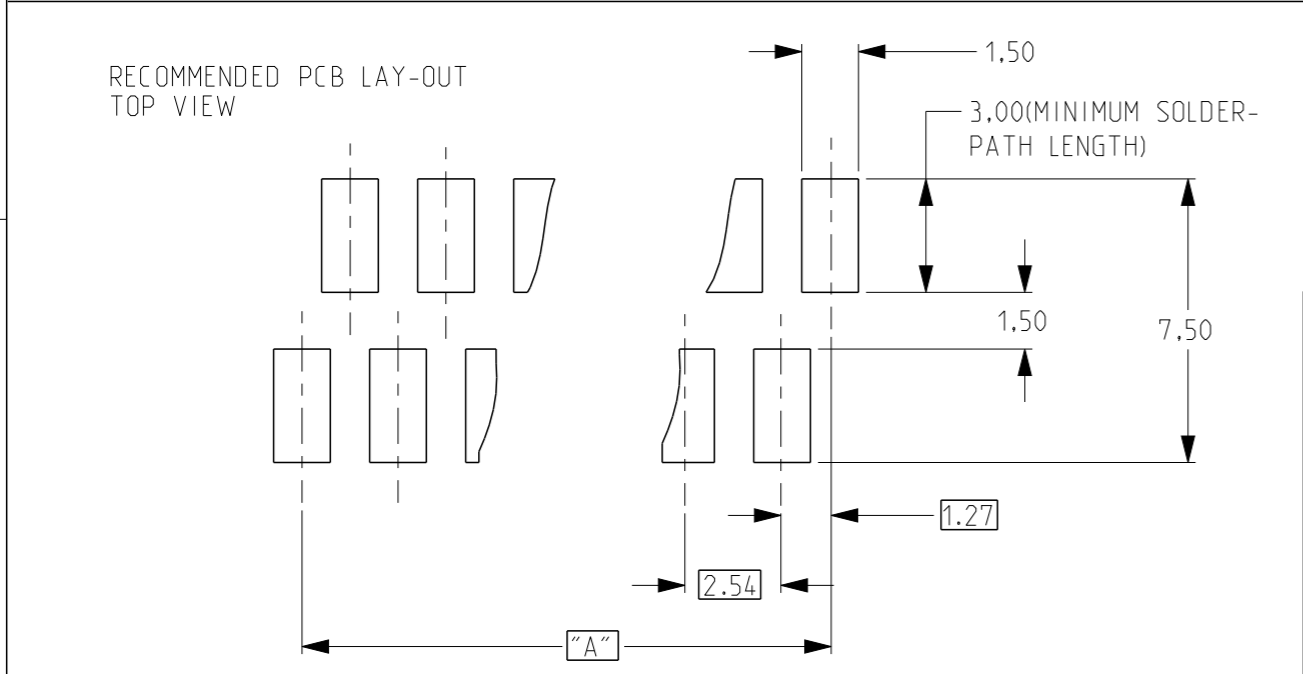


PACKAGING/REELING DIRECTION



SECTION A-A

- NOTES:
- 1 PACKAGING ACCORDING EIA-481/DIN IEC 286. REEL Ø380 mm
 - 2 3-5 μm TIN OVER 0.5 μm NICKEL PLATING.



NUMBER OF POSITIONS N	PN -WITHOUT	PN -WITH	"A"	"B"	"C"	TAPE WIDTH "D"	"E"
20	2-338728-0	9-338728-0	24.1	28.6	27.5	44	10.2
18	1-338728-8	8-338728-8	21.6	26.1	24.9	44	8.9
16	1-338728-6	8-338728-6	19.0	23.5	22.4	44	7.7
14	1-338728-4	8-338728-4	16.5	21.0	19.9	44	6.4
12	1-338728-2	8-338728-2	14.0	18.5	17.3	44	5.1
10	1-338728-0	8-338728-0	11.4	15.9	14.8	24	3.9
8	338728-8	7-338728-8	8.9	13.4	12.2	24	2.6
6	338728-6	7-338728-6	6.4	10.8	9.7	24	1.3
4	338728-4	7-338728-4	3.8	8.3	7.2	24	0.1

3	PICK AND PLACE FEATURE	PA 4.6, 30% GF, COLOR GREY	
2	CONTACT	TIN BRASS	
1	HOUSING	Pa 4.6, 30% GF, COLOR: RED	
Item no	Description	Material	Finish
DWN	M.Gosselink		
CHK	-		
APVD	-		
PRODUCT SPEC	108-19052		
APPLICATION SPEC	114-13318		
WEIGHT	-		
CUSTOMER DRAWING		SCALE 5:1	SHEET 1 OF 1

THIS DRAWING IS A CONTROLLED DOCUMENT. DWN: M.Gosselink

DIMENSIONS: mm

TOLERANCES UNLESS OTHERWISE SPECIFIED:

0 PLC	±0.2
1 PLC	±0.1
2 PLC	±0.05
3 PLC	±0.01
4 PLC	±
ANGLES	±°-'
FINISH	SEE TABLE

MATERIAL: SEE TABLE

STE TE Connectivity

Micro-MaTch Male On Board SMD connector

SIZE: A3 CAGE CODE: 00779 DRAWING NO: C-338728 RESTRICTED TO: -

REV: H