

BAND PASS FILTER

MODEL FIS-21.4

OPTIMIZED BANDWIDTH

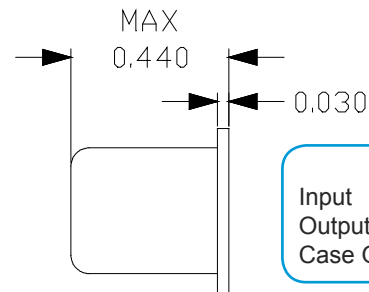
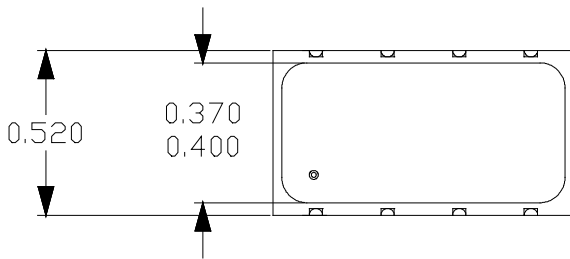
Fc = 21.4 MHz

SPECIFICATIONS:

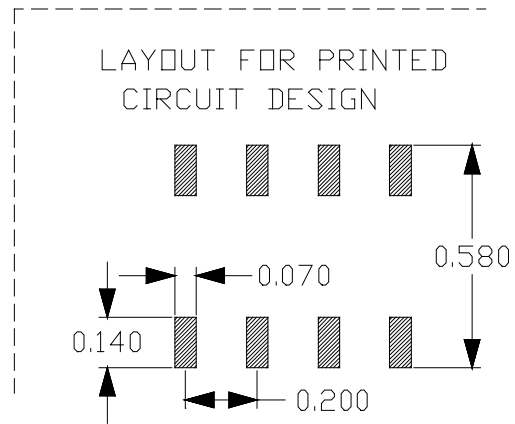
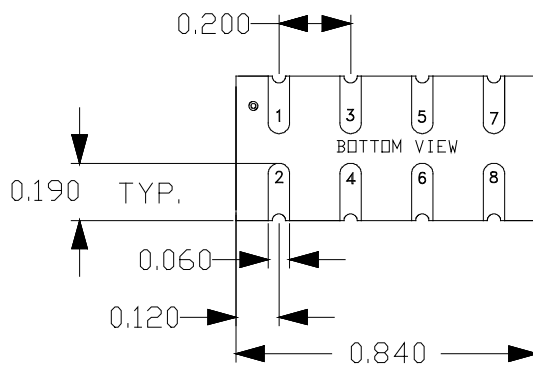
Center Frequency:	21.4 MHz	40 dB Bandwidth :	6.80 - 64.2 MHz
Passband I. Loss :	1.5 dB (Max)	Input Power	1 Watt (Max)
Passband:	19.6 - 23.2 MHz	Impedance :	50 Ohms
20 dB Bandwidth :	14.9 - 27.8 MHz	Operating Temp. Range:	-20° to +70° C



MECHANICAL OUTLINE:102S



PIN-OUT	
Input	1
Output	8
Case Ground	All Others



BAND PASS FILTER MODEL FIS-21.4

OPTIMIZED BANDWIDTH

$F_c = 21.4$ MHz

PERFORMANCE PLOTS

