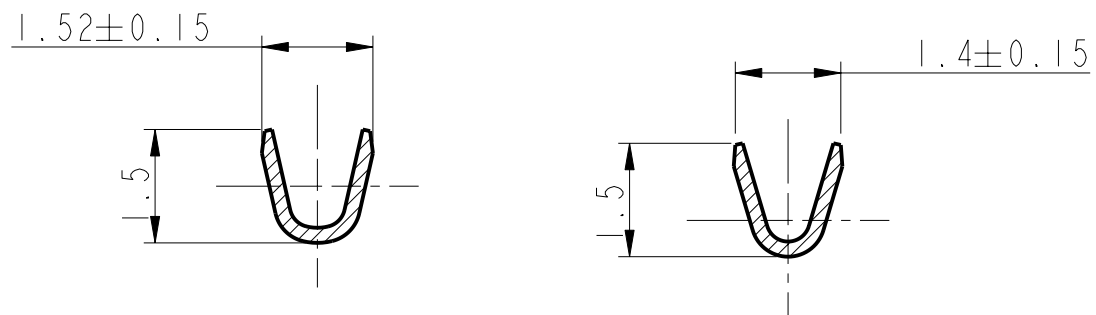
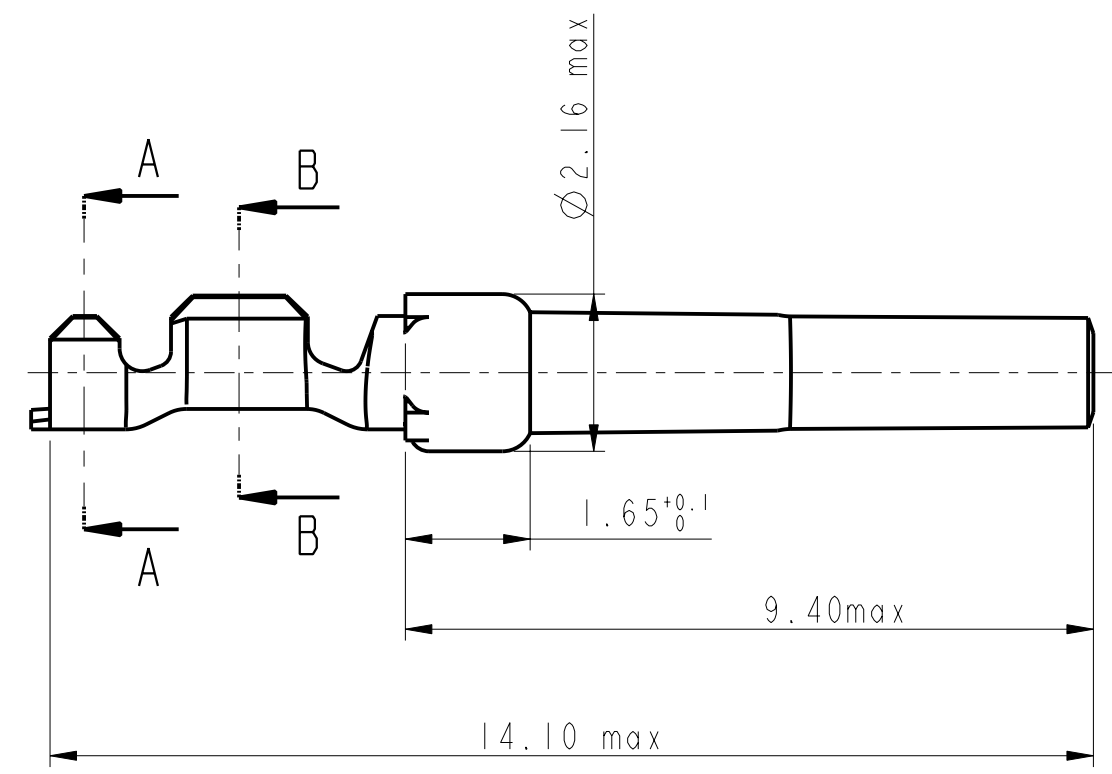
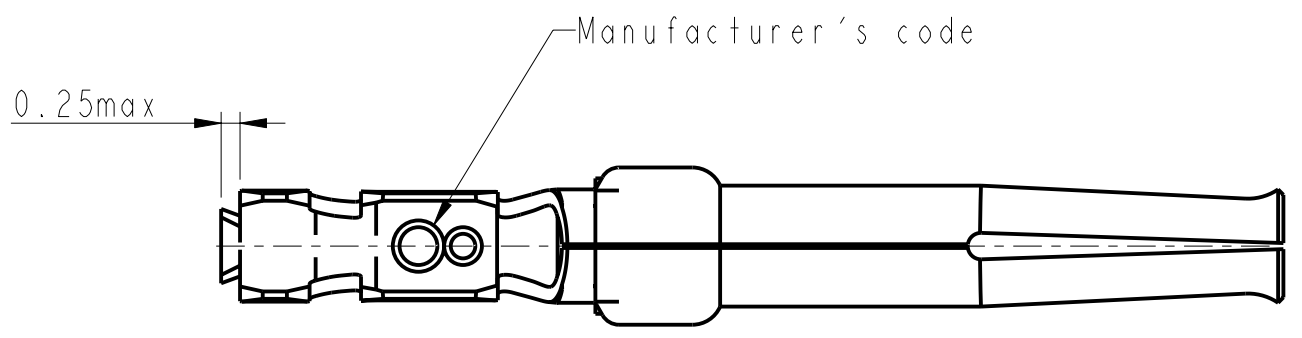


Tous droits strictement réservés. Reproduction ou communication o des liers interdite sous quelque forme que ce soit sans autorisation écrite du propriétaire. Propriete de c FCI. Droits de reproduction FCI.

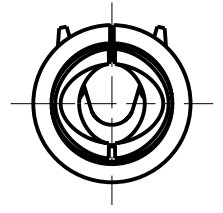
A
FCI

All rights strictly reserved. Reproduction or issue to third parties in any form whatever is not permitted without written authority from the proprietor. Property of FCI. Copyright FCI.



SECTION A-A

SECTION B-B



NOTES:

- 1-Material:phosphor bronze,thickness 0.20
- 2-Finish on contact area:see table
finish on termination:bright tin lead over nickel
- 3-Wire range:24 to 28 AWG
- 4-Max outer dia of wire insulator:1.02 mm
- 5-Current carrying capacity per contact:
 - 3.Amps max when crimped to #24 AWG
 - 2 Amps max when crimped to #26 AWG
 - 1 Amps max when crimped to #28 AWG
- 6-After 5 insertions into connector, contact retention must be 5 pounds axial load min
- 7-When contact is crimped to 24 AWG,the insulation support crimped height must be 1.78 mm max to ensure a proper insertion into housing
- 6-Packaging:BOX of 500 contacts

NOTE : ROHS INFORMATIONS

The LF products meet European union directives and other country regulations as described in GS-22-008
Terminations plating spec : 2um Nickel min + 2um Sn min
Packaging Spec : see GS-14-930

Core range	-
8656351064LF	Flash Au
8656351064	Flash Au
PART NUMBER	Plating

l	ecn no	dr	date
D	LS05-006	MPE	25/06/05
-	-	-	-
-	-	-	-
-	-	-	-
-	-	-	-
-	-	-	-
-	-	-	-

A FCI		www.fciconnect.com	surface <input checked="" type="checkbox"/>	tolerance	projection
Dr	C JARRY	28/01/97	Product family	-	size A3
Eng			Spec ref		Scale 10:1
Chr			Material	SEE NOTES	ECN
Appr					
title CRIMP SOCKET			dwg no C01-8656-1507		Rev. D
#Wire 24-28 in bos 500 cts			catalog no -		CUSTOMER COPY
			sheet 1 of 1		