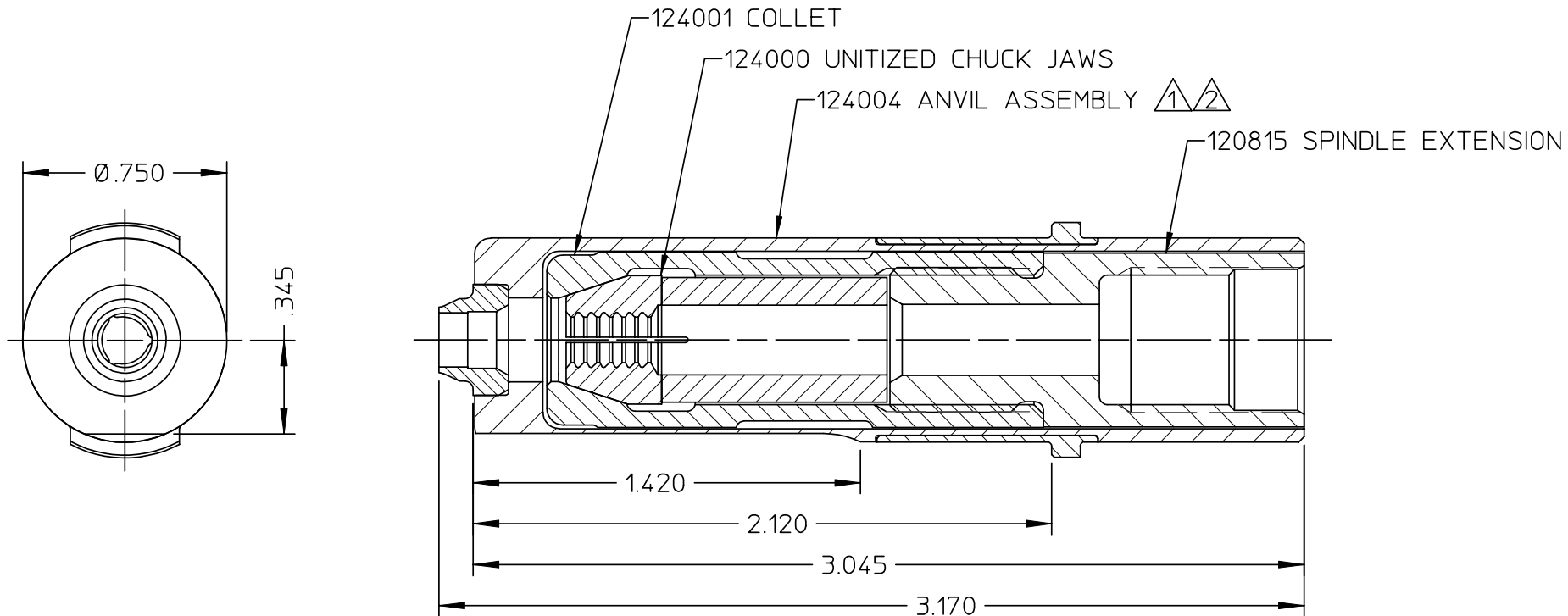


DATA SHEET



99-2713

Part Number

Alcoa Fastening Systems

Commercial Products
1 Corporate Drive, Kingston, NY 12401

NOSE TYPE:	NON-SELF-RELEASING	
FASTENER TYPE:	-08 BB	
TOOL(S):	202, 212, 352, 2400, 2480	
Notes:	Product Revision:	A
US Patent:	Date:	06/17/03

NOTES:

- ① ANVIL ASSEMBLY 124004 CONSISTS OF:
ANVIL HOLDER ASSEMBLY 124003 AND
ANVIL INSERT 119377.
- ② ANVIL HOLDER ASSEMBLY 124003 CONSISTS OF:
ANVIL HOLDER 124002 AND
RETAINER 120738.