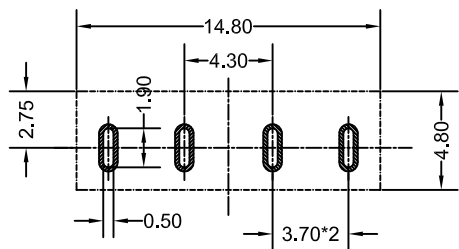
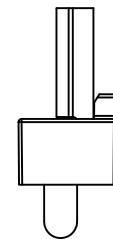
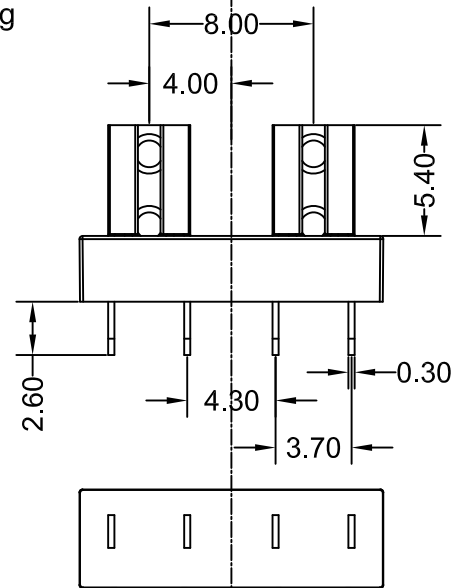
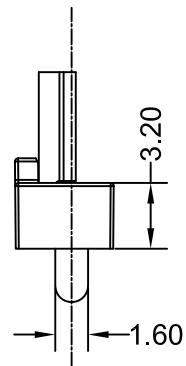
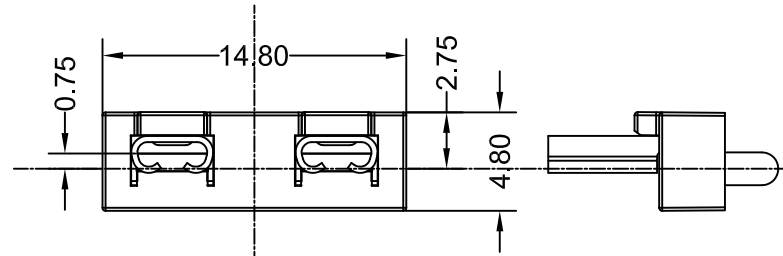
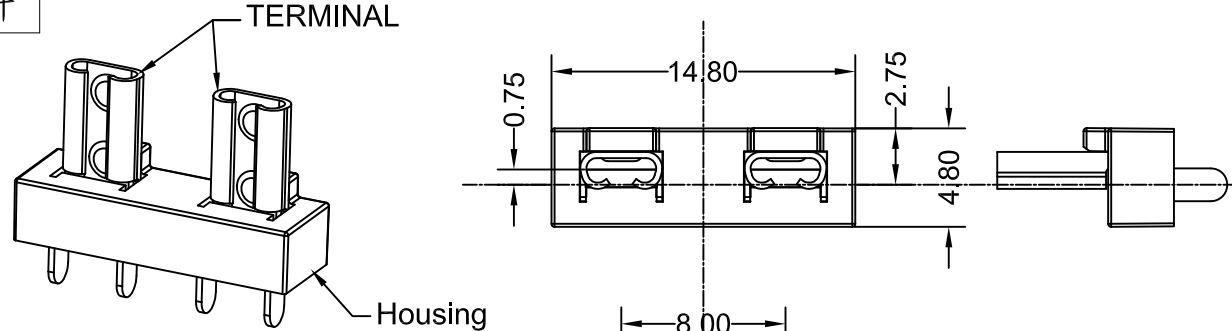


环保物料

TEL:0769-82001899



TOP VIEW P.C.B. LAYOUT

SPECIFICATIONS:

1. MATERIAL:
 - HOUSING: PBT BLACK 30%GF; UL 94V-O
 - TERMINAL: 110 SERIES COPPER ALLOY T=0.30mm
 - MATE: TAB=0.8
2. FINISH:
 - TERMINAL: MATTE Sn PLATED ALL OVER COPPER
3. ELECTRICAL
 - CONTACT RESISTANCE: 50mΩ Max
 - INSULATION RESISTANCE: 100MΩ/500VDC Min
 - DIELECTRIC WITHSTANDING VOLTAGE: 500VAC/Minuter
 - CURRENT RATING: 15A/250VDC PER CONTACT MIN.
 - VOLTRGE RATING: 250V AC/DC(RMS)
4. MECHANICAL:
 - DURABILITY:500 CYCLES Min.
 - INSERTION FORCE:3.5kgf Max
 - EXTRACTION FORCE:1.0kgf Min
5. ENVIROMENTAL
 - STORAGE TEMPERATURE: -20°C~ 85°C

				TOLERANCE UNLESS OTHERWISE	DRAWN	CK tan	XFCN 兴飞连接器有限公司 XFCN CONNECTORS CO.,LTD.	SHEET	1/1	
				X. ±0.30 X° ±5°	CHKD			DATE	2020.04.12	
				.X ±0.20 .X° ±2°	APPD			UNITS	mm	
				.XX ±0.08 .XX° ±1°	VIEW	⊕		SCALE	1:1	
AO	2021.04.09新改模			.XXX ±0.03 .XXX° ±0.5°			PRODUCT NAME	Fuse Clip for PCB Mounted	DWG NO.	009
VER	MODIFICATION	DRAW	DATE				PART. NO.	XF-506P		