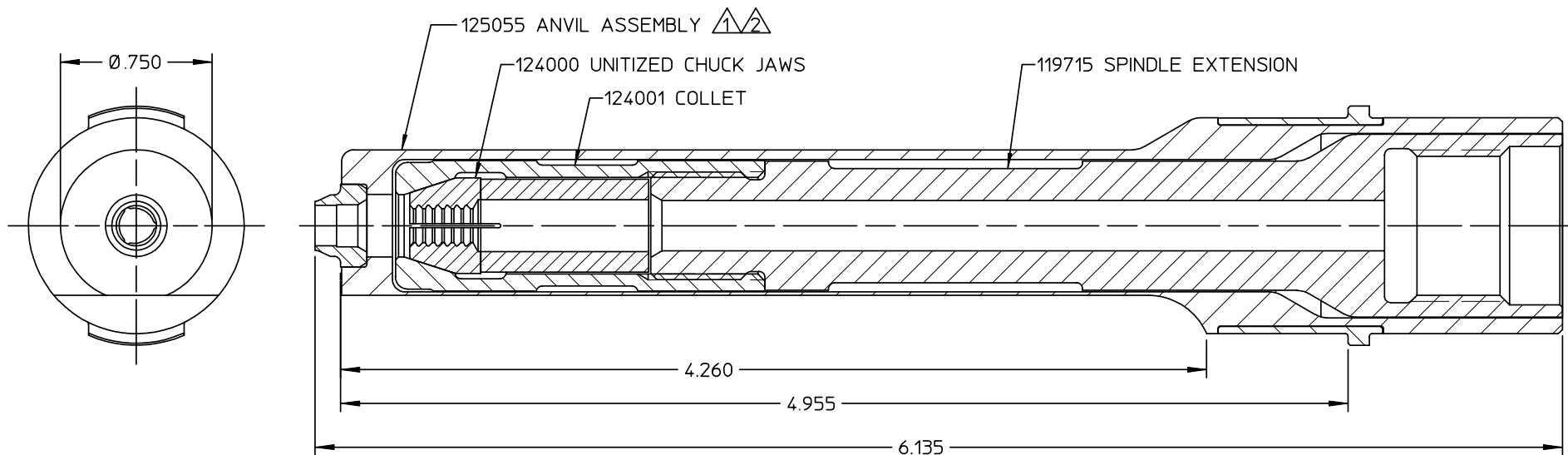


DATA SHEET



Alcoa Fastening Systems

Commercial Products
1 Corporate Drive, Kingston, NY 12401

99-2717	Part Number	TYPE:	NON-SELF-RELEASING
		FASTENER:	-08 BB
		TOOL(S):	245, 353
		Notes:	Product Revision: A
		US Patent:	Date: 07/08/03

NOTES:

① ANVIL ASSEMBLY 125055 CONSISTS OF:
ANVIL HOLDER ASSEMBLY 125054,
ANVIL INSERT 119377.

② ANVIL HOLDER ASSEMBLY 125054 CONSISTS OF:
ANVIL HOLDER 125053 AND
RETAINER 120737.