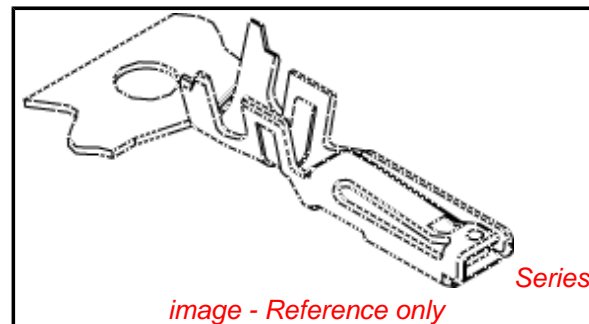


PLEASE CHECK WWW.MOLEX.COM FOR LATEST PART INFORMATION

Part Number: **0501488100**
Status: **Active**
Overview: [splash_proof](#)
Description: Splash Proof Crimp Terminal 50148, Bag

Documents:

3D Model	Product Specification PS-52213-002 (PDF)
Drawing (PDF)	RoHS Certificate of Compliance (PDF)
Product Specification PS-52213-001 (PDF)	



General

Product Family	Crimp Terminals
Series	50148
Crimp Quality Equipment	Yes
MolexKits	Yes
Overview	splash_proof
Product Name	Splash Proof

Physical

Gender	Female
Material - Metal	Phosphor Bronze
Material - Plating Mating	Tin
Material - Plating Termination	Tin
Packaging Type	Bag
Termination Interface: Style	Crimp or Compression
Wire Insulation Diameter	1.40-1.70mm (.055-.067")
Wire Size AWG	20, 22
Wire Size mm ²	N/A

Material Info

Reference - Drawing Numbers

Product Specification	PS-52213-001, PS-52213-002, RPS-501202-001, RPS-52213-001, RPS-52266-001, RPS-55870-005
Sales Drawing	SD-50148-8*00

EU RoHS

ELV and RoHS Compliant
REACH SVHC
Contains SVHC: No
Halogen-Free Status

China RoHS



Need more information on product environmental compliance?

Email productcompliance@molex.com
 For a multiple part number RoHS Certificate of Compliance, [click here](#)

Please visit the [Contact Us](#) section for any non-product compliance questions.

Search Parts in this Series

[50148Series](#)

Application Tooling | FAQ

Tooling specifications and manuals are found by selecting the products below. Crimp Height Specifications are then contained in the Application Tooling Specification document.

Global

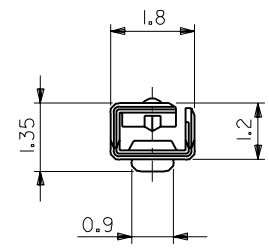
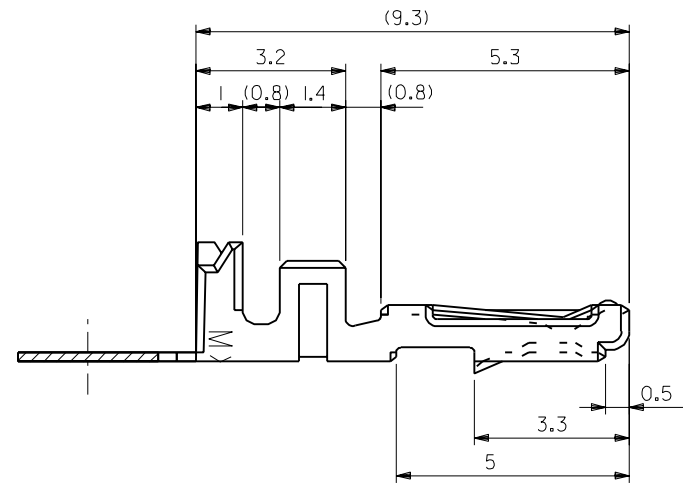
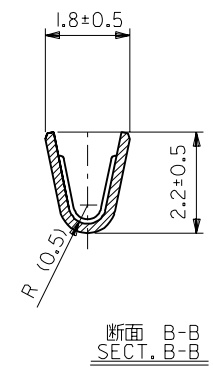
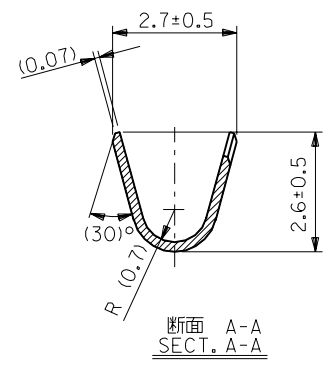
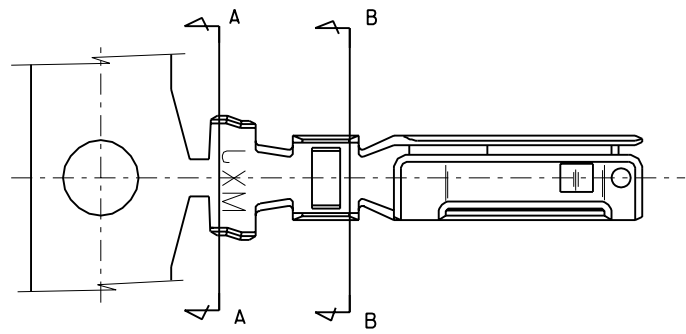
Description	Product #
Hand Crimp Tool	0638118600
Extraction Tool	0638132700

Japan

Description	Product #
Hand Crimper - AVSS .3	0571325000

EDP NO. ENG. NO. SD-50148-8*00

MM DIMENSIONS IN METRIC DO NOT SCALE DRAWING



注記
NOTES

- 適合ハウジング アッセンブリ; 52213-***1
APPLICABLE HS'G ASS'Y; 52213-***1*
- 嵌合相手; 50147-8*00
MATES WITH; 50147-8*00

50148-8100	バラ状 LOOSE
50148-8000	連鎖状 CHAIN
製品番号 ENG.No.	端子形状 FORM

角度 ANGLE	±3°					材料 MATERIAL リン青銅 錫 ムッキ (±0.2) PHOSPHOR BRONZE TIN PLATING (±0.2)
30以上 OVER	+0.3	A	変更 REVISED (J20708)	92/8/6		仕上げ FINISH
10以上 30未満 OVER UNDER	+0.25	O	新規作成 PROPOSED (J10601)	91/8/20		適用電線範囲 WIRE RANGE AVSS-0.3 AVSS-0.5 CAVS-0.3 CAVS-0.5
10未満 UNDER	+0.2	記号 LTR	変更内容 REVISION RECORD	日付 DATE		被覆外径 INS. RANGE φ 1.4-1.7
一般公差 GENERAL TOLERANCES				DR. / CHK.	日付 / DATE	DRAWN BY '91/7/17 M.SANO CHK'D BY '92/8/6 M.SAKANO 尺度 M. ENOMOTO SCALE 10-1

MOLEX-JAPAN CO.,LTD. 日本モレックス株式会社	
EDP. NO.	
ENG. NO.	REV
SD-50148-8*00	A
TITLE 名称 2.5 MINI SPLASH PROOF CONN. CRIMP RECEPTACLE	

THIS DRAWING CONTAINS INFORMATION THAT IS PROPRIETARY TO MOLEX(JAPAN) AND SHOULD NOT BE USED WITHOUT WRITTEN PERMISSION
本図面は日本モレックス(株)の所有する情報を含むもので 当社の許可なく複製を禁止する。