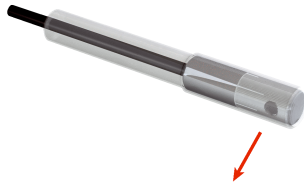


# LL3-TY02

LL3

FIBER-OPTIC SENSORS AND FIBERS

**SICK**  
Sensor Intelligence.



### Ordering information

Type	Part no.
LL3-TY02	5308067

Other models and accessories → [www.sick.com/LL3](http://www.sick.com/LL3)

### Detailed technical data

#### Features

<b>Device type</b>	Fibers
<b>Detection principle</b>	Through-beam system
<b>For fiber-optic sensor</b>	GLL170(T), WLL180T, WLL24 Ex
<b>Fiber length</b>	2 m
<b>Fiber material</b>	Polymethylmethacrylat (PMMA)
<b>Jacket material</b>	Polytetrafluorethylen (PTFE)
<b>Fiber head material</b>	Polytetrafluorethylen (PTFE)
<b>Outer diameter, fiber-optic cable connection</b>	2.2 mm
<b>Fiber-optic cable cuttable</b>	✓ <sup>1)</sup>
<b>Smooth sleeve diameter (greatest diameter)</b>	≥ 6 mm
<b>Fiber-optic head design</b>	90° deflection
<b>Fiber arrangement</b>	Monofiber
<b>Core structure</b>	Ø 1,0 mm Monofiber
<b>Bend radius, fibre-optic cable</b>	60 mm
<b>Angle of dispersion &lt; 60°</b>	Yes
<b>Compatibility with infrared light (1,450 nm)</b>	No
<b>Ambient operating temperature</b>	-40 °C ... +70 °C
<b>Application</b>	Resistant to oil/chemicals
<b>Highly flexible/elastic fibers (bend radius 1-4 mm)</b>	No
<b>Adapter end sleeves required</b>	No
<b>Angle of dispersion</b>	57.62°
<b>Integrated lens</b>	Yes
<b>Minimal object diameter</b>	0.3 mm <sup>2)</sup>
<b>Special features</b>	Teflon sheathing: chemically resistant, 90° deflection
<b>Included with delivery</b>	FC fiber cutter (5304141)
<b>Compatibility tip adapters</b>	No

<sup>1)</sup> FC fiber optic cable cutter included in delivery.

<sup>2)</sup> Minimum detectable object was determined at optimum measuring distance and optimum setting.

#### Classifications

<b>ECl@ss 5.0</b>	27270905
-------------------	----------

<b>ECI@ss 5.1.4</b>	27270905
<b>ECI@ss 6.0</b>	27270905
<b>ECI@ss 6.2</b>	27270905
<b>ECI@ss 7.0</b>	27270905
<b>ECI@ss 8.0</b>	27270905
<b>ECI@ss 8.1</b>	27270905
<b>ECI@ss 9.0</b>	27270905
<b>ETIM 5.0</b>	EC002651
<b>ETIM 6.0</b>	EC002651
<b>UNSPSC 16.0901</b>	39121528

Sensing ranges with WLL180T

<b>Operating mode 16 µs</b>	300 mm
<b>Operating mode 70 µs</b>	1,000 mm
<b>Operating mode 250 µs</b>	1,300 mm
<b>Operating mode 2 ms</b>	3,000 mm
<b>Operating mode 8 ms</b>	4,000 mm

Sensing ranges with GLL170

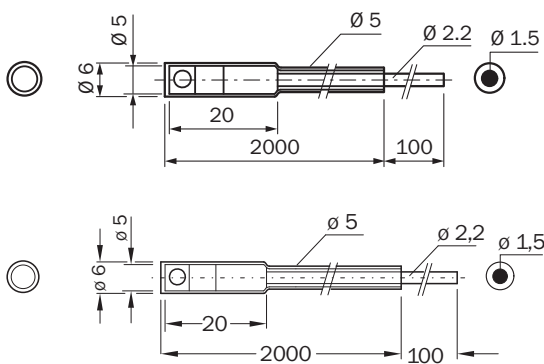
<b>Operating mode 250 µs</b>	730 mm
------------------------------	--------

Sensing ranges with GLL170T

<b>Operating mode 50 µs</b>	800 mm
<b>Operating mode 250 µs</b>	940 mm

Dimensional drawing (Dimensions in mm (inch))

LL3-TY02



## SICK AT A GLANCE

SICK is one of the leading manufacturers of intelligent sensors and sensor solutions for industrial applications. A unique range of products and services creates the perfect basis for controlling processes securely and efficiently, protecting individuals from accidents and preventing damage to the environment.

We have extensive experience in a wide range of industries and understand their processes and requirements. With intelligent sensors, we can deliver exactly what our customers need. In application centers in Europe, Asia and North America, system solutions are tested and optimized in accordance with customer specifications. All this makes us a reliable supplier and development partner.

Comprehensive services complete our offering: SICK LifeTime Services provide support throughout the machine life cycle and ensure safety and productivity.

For us, that is “Sensor Intelligence.”

## WORLDWIDE PRESENCE:

Contacts and other locations –[www.sick.com](http://www.sick.com)