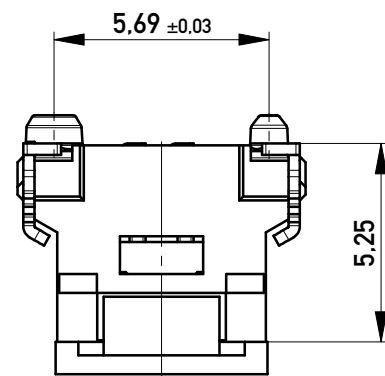
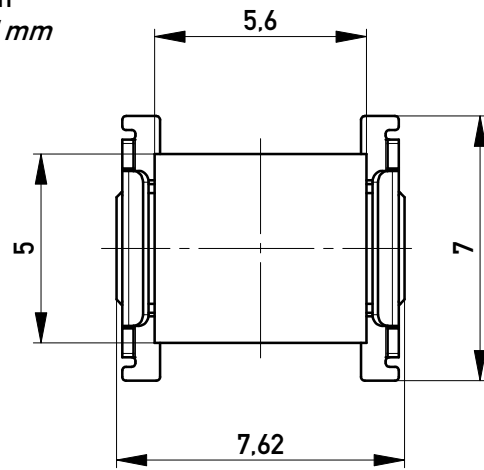


Anforderungsstufe 1
Performance Level 1

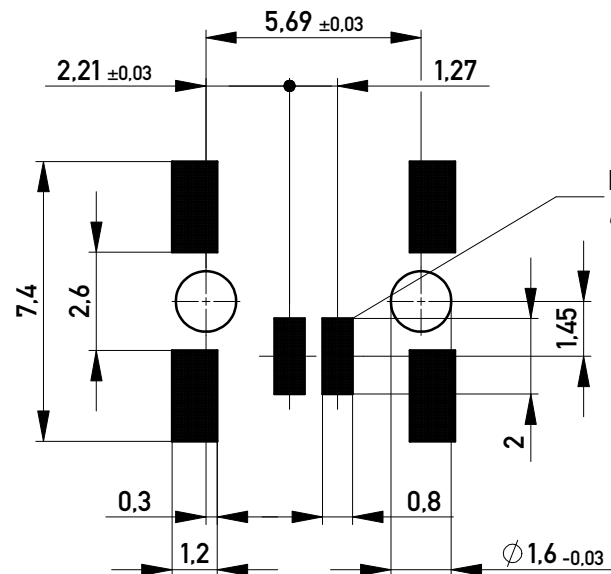
Kontaktbereich vergoldet
Mating Area gold plating

Anschlussbereich verzinnt 4-6 µm
Terminal Area 4-6 µm tin plating

Koplanarität der Anschlüsse ≤ 0,1 mm
Coplanarity Area of Termination ≤ 0,1 mm

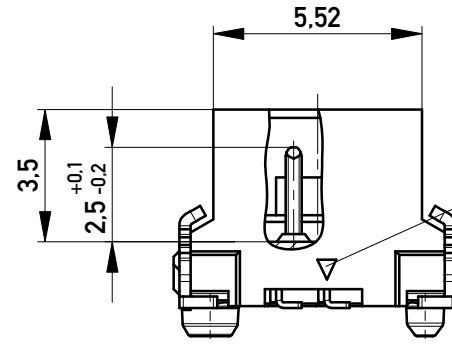


Leiterplatten-Layout für SMT
PCB-Layout for SMT

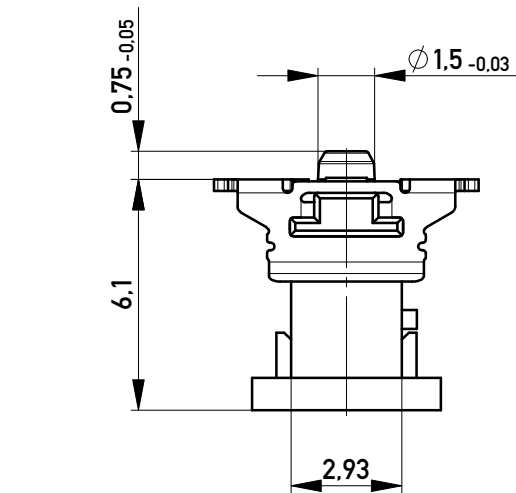
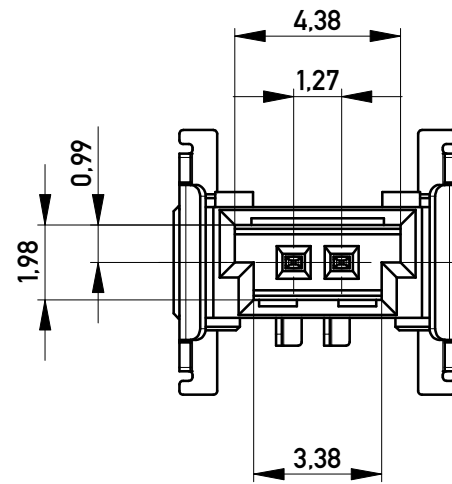


Kontaktbezeichnung bei Pin 1
contact marking at pin 1

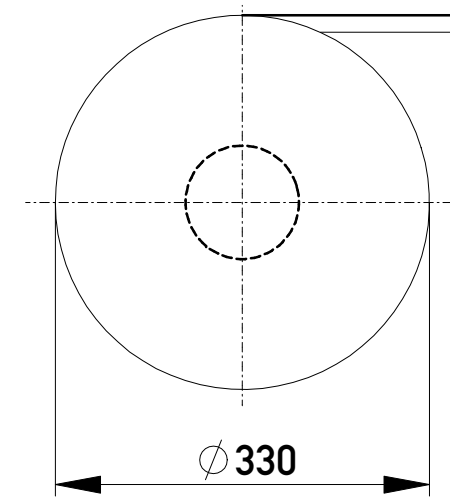
ohne Ansaughaube - without hood



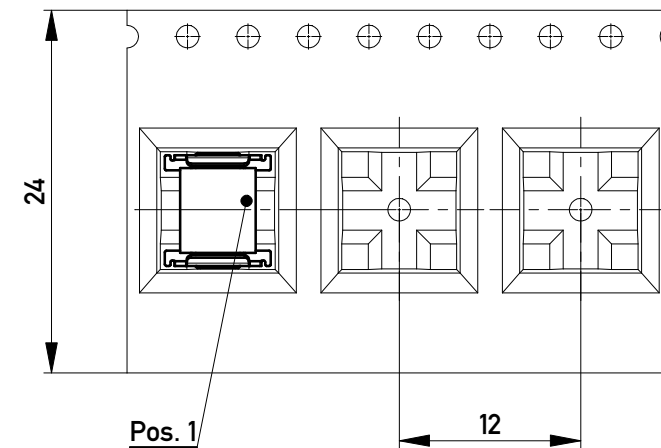
Kontaktbezeichnung
contact marking



Verpackt im Gurt nach DIN IEC 60286-3
Tape on Reel Packaging according to DIN IEC 60286-3
Verpackungseinheit: 650 Stück
Packaging unit: 650 pcs



Abspulrichtung - Reel off Direction



Information: vergrößerte Löt pads - enlarged solder pads		Tolerances		Scale	5:1
All rights reserved. Only for Information. To ensure that this is the latest version of this drawing, please contact one of the ERNI companies before using.		Subject to modification without prior notice. Drawing will not be updated.		Designation M 1,27 SRC P, 2-polig BA1	
www.ERNI.com		100103730001		K	
d	15.08.2014	Class		SRCP	
Index	Date			A3	

Copyright by ERNI Production GmbH & Co. KG
Proprietary notice pursuant to ISO 16016 to be observed.