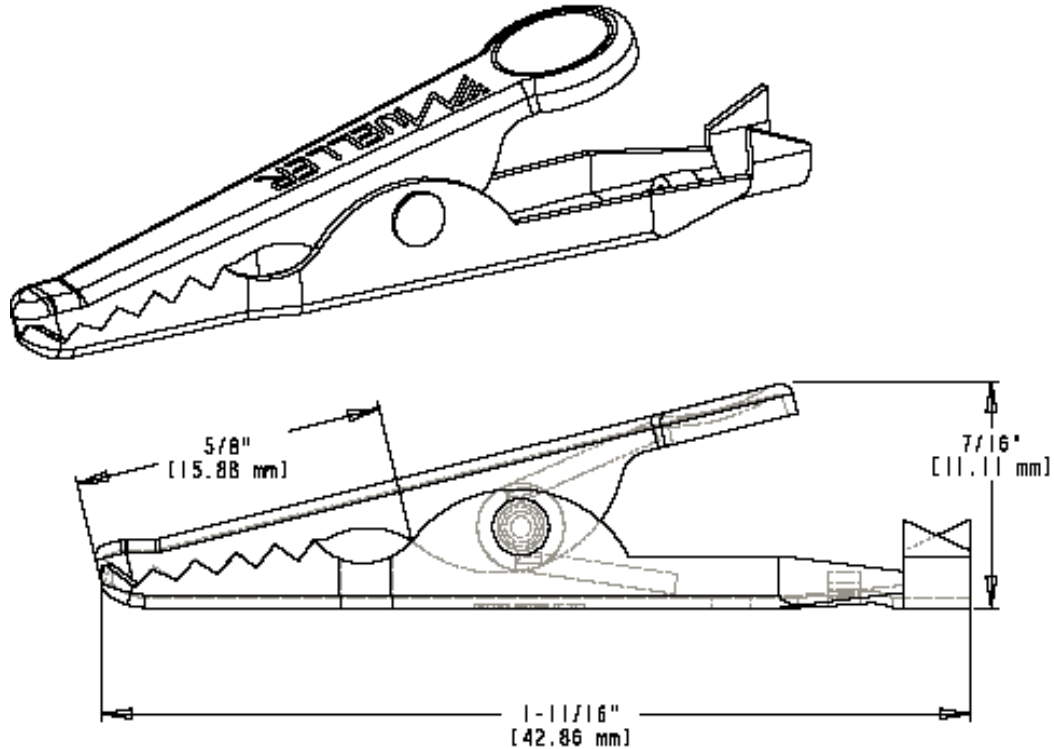




Part Number: BU-70/BU-70C
Description: Alligator Clip
3107



- Alligator Clip
- Solder or crimp connection
- Jaw opens 0.313" (7.9 mm) max
- Material: nickel-plated steel (BU-70) or solid copper (BU-70C)
- Length: 1.69" (42.86 mm)
- Rating: 5 Amps (BU-70) or 10 Amps (BU-70C)
- RoHS Compliant