

# SMD POWER INDUCTORS

MODEL NO. : SMI-42 SERIES (DO1608C COMPATIBLE)

## FEATURES:

\* SUPERIOR QUALITY FROM  
AN AUTOMATED PRODUCTION LINE.

\* PICK AND PLACE COMPATIBLE.

\* TAPE AND REEL PACKING.



## APPLICATION :

\* NOTEBOOK COMPUTERS.

\* DIGITAL STILL CAMERAS.

\* DC-AC INVERTERS.

\* ELECTRONICS DICTIONARIES

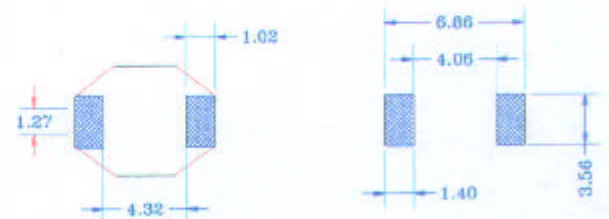
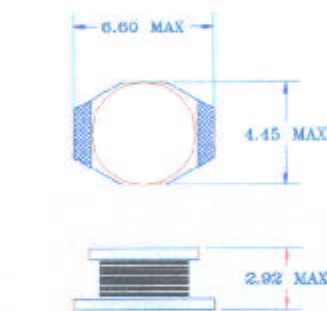
\* CABLE MODEM

## ELECTRICAL SPECIFICATION:

## PHYSICAL DIMENSION :

(UNIT:mm)

PART NO.	INDUCTANCE ( $\mu$ H $\pm$ 20%)	D.C.R. MAX ( $\Omega$ )	I <sub>sat</sub> (ADC)	I <sub>rms</sub> (Arms)
SMI-42-1R0	1.0	0.05	2.90	2.9
SMI-42-1R5	1.5	0.05	2.60	2.8
SMI-42-2R2	2.2	0.07	2.30	2.4
SMI-42-3R3	3.3	0.08	2.00	2.0
SMI-42-4R7	4.7	0.09	1.50	1.5
SMI-42-6R8	6.8	0.13	1.20	1.4
SMI-42-100	10	0.16	1.10	1.1
SMI-42-150	15	0.23	0.90	1.2
SMI-42-220	22	0.37	0.70	0.8
SMI-42-330	33	0.51	0.58	0.6
SMI-42-470	47	0.64	0.50	0.5
SMI-42-680	68	0.86	0.40	0.4
SMI-42-101	100	1.27	0.31	0.3
SMI-42-151	150	2.00	0.27	0.25
SMI-42-221	220	2.65	0.22	0.2
SMI-42-331	330	3.80	0.18	0.16
SMI-42-471	470	5.06	0.16	0.15
SMI-42-681	680	9.20	0.14	0.12
SMI-42-102	1000	13.8	0.10	0.07



TOLERANCE:  $\pm 0.30$

PCB PATTERN

NOTE(1):TEST FREQUENCY: 100KHZ,0.1VRMS.

NOTE(2):THIS INDICATES THE VALUE OF CURRENT WHEN THE INDUCTANCE IS 10% LOWER THAN ITS INITIAL VALUE AT D.C. CURRENT WHEN AT  $\Delta T=40^{\circ}C$  WHICHEVER IS LOWER.