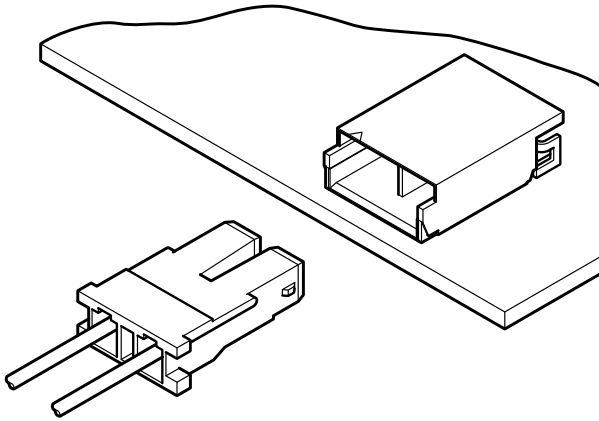




BHS CONNECTOR



3.5mm pitch/Disconnectable Crimp style connectors



- Low profile
- SMT configuration
- Applicable to special wires
- Housing lock also serves as polarizing device
- Adopt wide large for socket contact

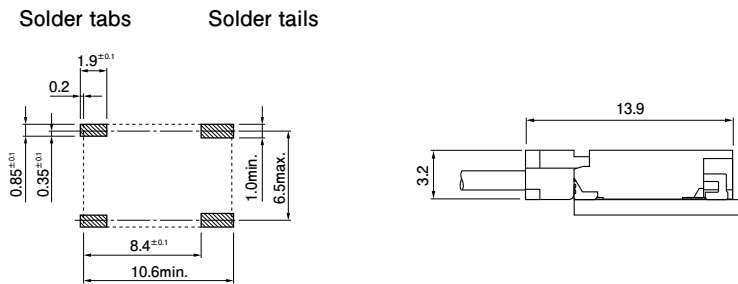
Specifications

- Current rating: 1.0A AC, DC (AWG #24)
- Voltage rating: 1,400V AC, DC
- Temperature range: -25°C to +85°C
(including temperature rise in applying electrical current)
- Contact resistance: Initial value/10mΩ max.
After environmental testing/20mΩ max.
- Insulation resistance: 1,000MΩ min.
- Withstanding voltage: 3,800V AC/minute
- Applicable wire: AWG #28 to #24
Insulation O.D./0.9 to 1.7mm
- * Compliant with RoHS.
- * Refer to "General Instruction and Notice when using Terminals and Connectors" at the end of this catalog.
- * Contact JST for details.

Standards

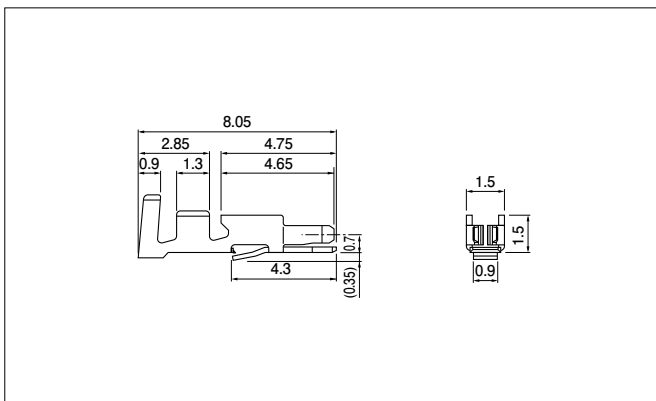
- ♻️ Recognized E60389
- Ⓢ Certified LR20812

PC board layout (viewed from component side) and Assembly layout



- Note: 1. Tolerances are non-cumulative: ± 0.1mm for all centers.
2. The dimensions above should serve as a guideline. Contact JST for details.

Contact



Model No.	Applicable wire		Insulation O.D. (mm)	Q'ty/reel
	mm ²	AWG#		
SBHS-002T-P0.5A	0.08 to 0.22	28 to 24	0.9 to 1.7	10,000

Material and Finish

Phosphor bronze, tin-plated (reflow treatment)

RoHS compliance

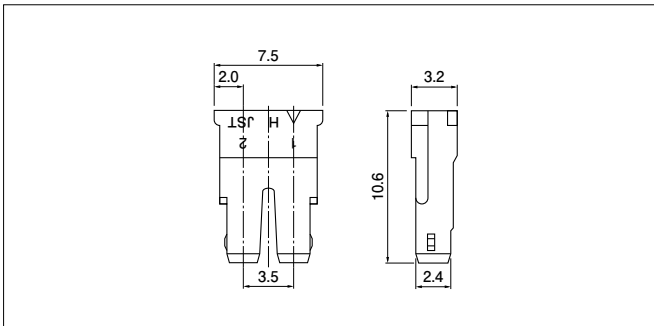
Note: Contact JST for the conventional product (SBHS-002T-P0.5).

Contact	Crimping machine	Applicator		
		Crimp applicator	Dies	Crimp applicator with dies
SBHS-002T-P0.5A	AP-K2N	MKS-L	MK/SBHS-002-05	APLMK SBHS002-05
		—	—	—

Note: Contact JST for fully automatic crimping applicator.

BHS CONNECTOR

Housing



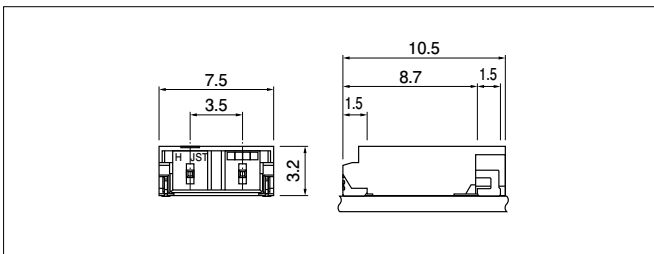
No. of circuits	Model No.	Q'ty / bag
2	BHSR-02VS-1 (N)	1,000

Material		
PA 66, UL94V-0, natural (white)		

RoHS compliance

Note: Contact JST for the conventional product (BHSR-02VS-1).

Header



No. of circuits	Model No.	Q'ty / reel
2	SM02B-BHSS-1-TB	1,000

Material and Finish		
Post: Brass, copper-undercoated, tin-plated (reflow treatment)		
Wafer: PPA, UL94V-0, natural (ivory)		
Solder tab: Brass, copper-undercoated, tin-plated (reflow treatment)		

RoHS compliance

This product displays (LF)(SN) on a label.
Note: The products listed above are supplied on embossed tape.

Model number allocation

Contact

S BHS - 002 T - P 0.5 A

Form: S...Strip form

Series name

Applicable wire range: 002...AWG #28 to AWG #24

Surface finish: T...Tin-plated (reflow treatment)

Material: P...Phosphor bronze

Terminal size

Shape: A...Type A

Housing

BHS R - 02 V S - 1 (N)

Series name

Part name: Receptacle

No. of circuits: 2-circuit only

Flammability: V...UL94V-0

Color: S...Natural (White)

Shape: 1...With protrusion

Sub model number

Header

SM 02 B - BHSS - 1 - TB

Shape of assembled product:
SM...SMT side entry type

No. of circuits: 2-circuit only

Part name: Header

Series name

Color: S...Natural (Ivory)

Shape: 1...Without boss

Packaging style: TB...Embossed-taping