




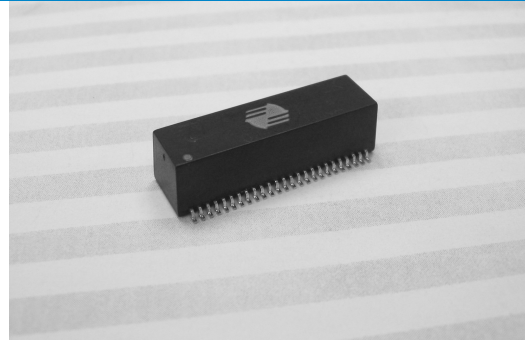


350uH OCL with 8mA DC bias

-  Excellent crosstalk and return loss performance
-  Support 4 pairs of Category 5 UTP cable with 1000Base-T full duplex applications
-  Design to withstand IR-reflow with peak temperature per IPC/JEDEC J-STD-020C
-  Operating temperature 0°C to +70°C.
-  RoHS compliant



**ELECTRICAL SPECIFICATION @ 25°C**

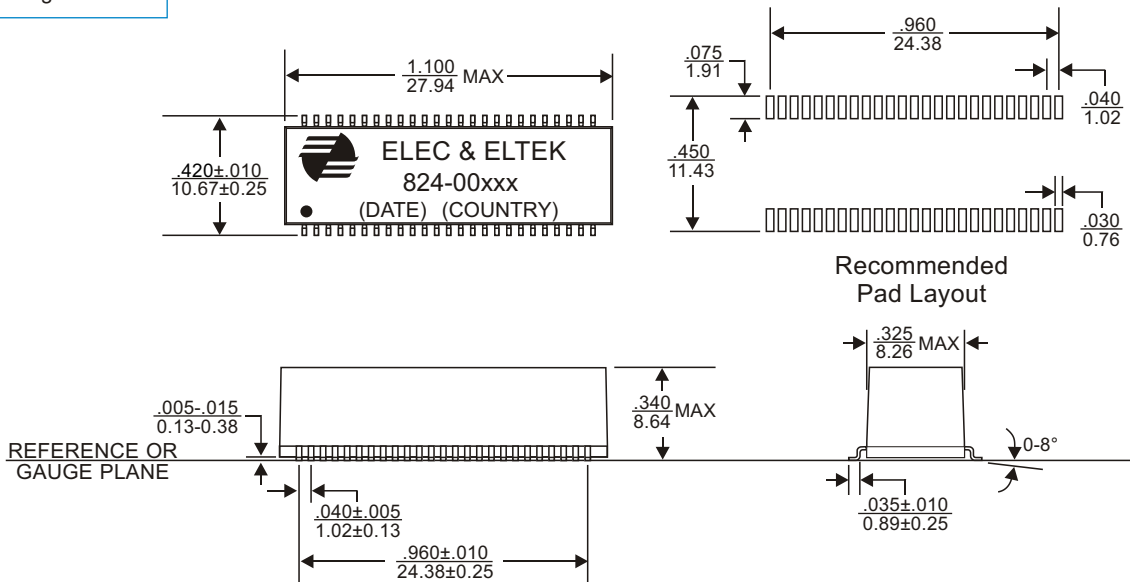
Part Number	Insertion Loss (dB Max)	Return Loss (dB Min)					CMRR (dB Min)	Crosstalk (dB Min)	Hipot (Vrms)
		.1-100MHz	1-30MHz	40MHz	50MHz	60-80MHz			
824-00182R	1.0	16.0	14.4	13.1	12.0	35.0	35.0	1500	
824-00183R	1.0	16.0	14.4	13.1	12.0	35.0	33.0	1500	
824-00264 <sup>1,2</sup>	1.2	16.0	14.4	13.1	12.0	30.0	30.0	1500	
824-00305R	1.0	16.0	14.4	13.1	12.0	35.0	33.0	1500	

**Notes:**

1. Operating temperature -40°C to +85°C.
2. For RoHS compliant version, Please contact EEMPL.

**MECHANICAL DIMENSIONS**

Package: SO050B

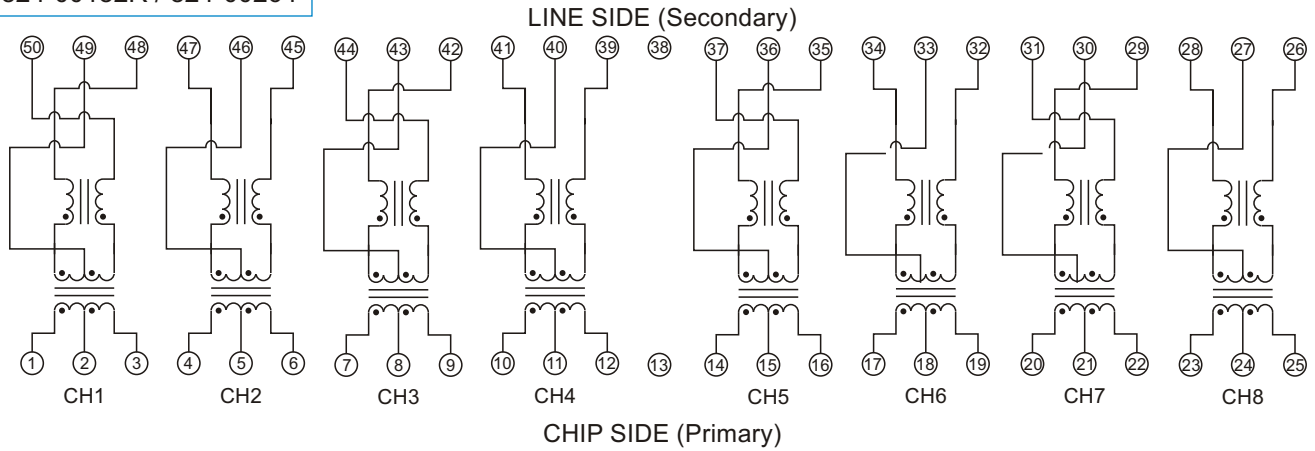


**Notes:**

3. All dimensions are specified in  $\frac{\text{inches}}{\text{mm}}$  with higher precedence in inches.
4. Unless otherwise specified, all tolerances are  $\pm \frac{.010}{0.25}$ .

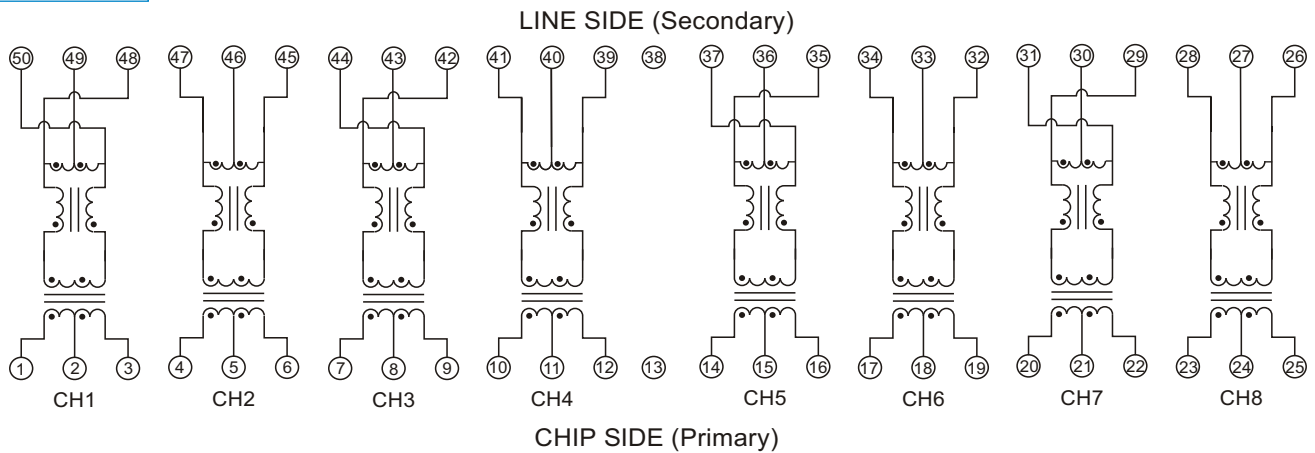


824-00182R / 824-00264



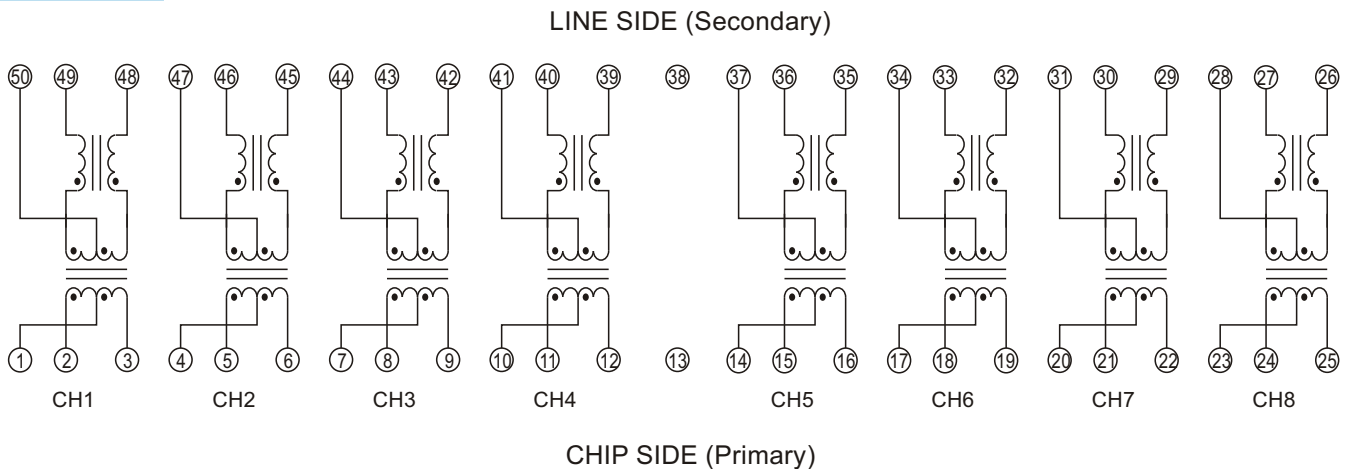
**SCHEMATICS**

824-00183R



**SCHEMATICS**

824-00305R





FOR MORE INFORMATION, PLEASE CONTACT

**HEADQUARTER**

1/F., Harbour View 1, No.12 Science Park East Avenue,  
Phase II, Hong Kong Science Park, Shatin, N.T.  
Hong Kong

Tel: (852) 2954 3333 Fax: (852) 2954 3304

Email: [eempl@eleceltek.com](mailto:eempl@eleceltek.com)

Website: <http://www.eleceltek.com> / [www.eemagnetic.com](http://www.eemagnetic.com)

Information herein is for reference only and subject to change without notice. It does not constitute any representation, warranty or commitment of the company in respect of the products in any aspect. All logos, brands and product names mentioned herein are trademarks or registered trademarks of their respective owners. The company does not assume any liability arising out of the application or use of any product or circuit described herein. Copyrights 2009, E & E Magnetic Products Limited.