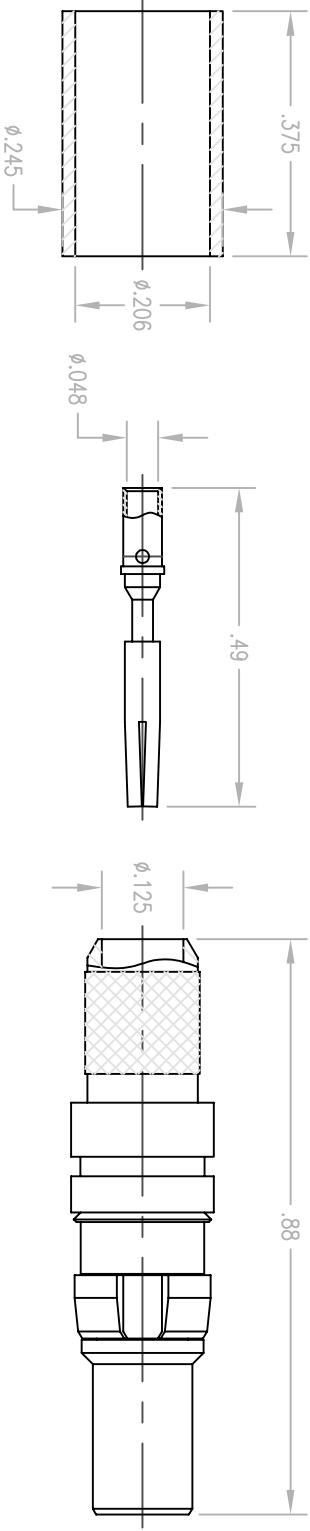


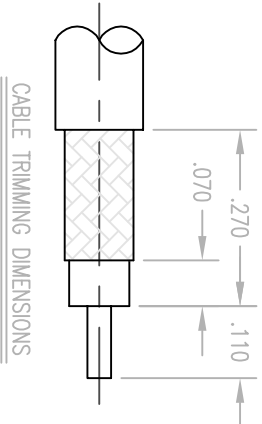
THIS IS A CONTROLLED DOCUMENT AND IS SUBJECT TO CHANGE
 CONTACT ENGINEERING DEPARTMENT FOR LATEST REVISION

DWG. NO. 260-910-1160G



NOTES:

1. MATERIALS:
 BODY AND FERRULE: BRASS PER ASTM B16
 CONTACT: BERYLLIUM COPPER PER ASTM B196
 CLIP RING: PHOSPHOR BRONZE PER ASTM B103
 INSULATOR: TEFLON PER ASTM D1710
2. FINISH:
 BODY AND CONTACT: .000030 MIN. GOLD PER MIL-G-45204 OVER
 .000050 MIN. NICKEL PER QQ-N-290
 FERRULE: .000005 MIN. GOLD PER MIL-G-45204 OVER .000050
 MIN. NICKEL PER QQ-N-290
 CLIP RING: .000100 MIN. NICKEL PER QQ-N-290 OVER COPPER
 FLASH
3. FOR USE WITH RG-141 OR EQUIVALENT CABLE.
4. FOR ASSEMBLY SEE CAP 9-07.



UNLESS OTHERWISE SPECIFIED

ALL DIMENSIONS ARE NOMINAL AND
 FOR REFERENCE ONLY.
 DIMENSIONS IN INCHES
 DO NOT SCALE PRINT



RETCOONN
 A SUBSIDIARY OF SSM
 199 W. PEARL ROAD TORRINGTON, CT 06790
 TEL. (860) 498-1220 FAX (860) 498-7307

SALES DRAWING

TITLE RDM CRIMP/CRIMP PLUG

REV. B	RELEASED PER NPR 1085	10/14/98	KJT	MATERIAL	DRAWN	DATE	CHECKED	SCALE	FSOM
	DESCRIPTION OF CHANGE	DATE	DRN	APPR	KJT	10/14/98		4:1	ODW/4
REVISIONS					FINISH	APPR.	DWG. NO.	REV.	
							260-910-1160G	B	

THIS INFORMATION IS PROPRIETARY AND CONFIDENTIAL. IT IS DISCLOSED TO YOU ON
 CONDITION NO FURTHER DISCLOSURE IS MADE TO OTHER THAN RETCONN PERSONNEL
 WITHOUT WRITTEN AUTHORIZATION FROM RETCONN INC., TORRINGTON, CT.