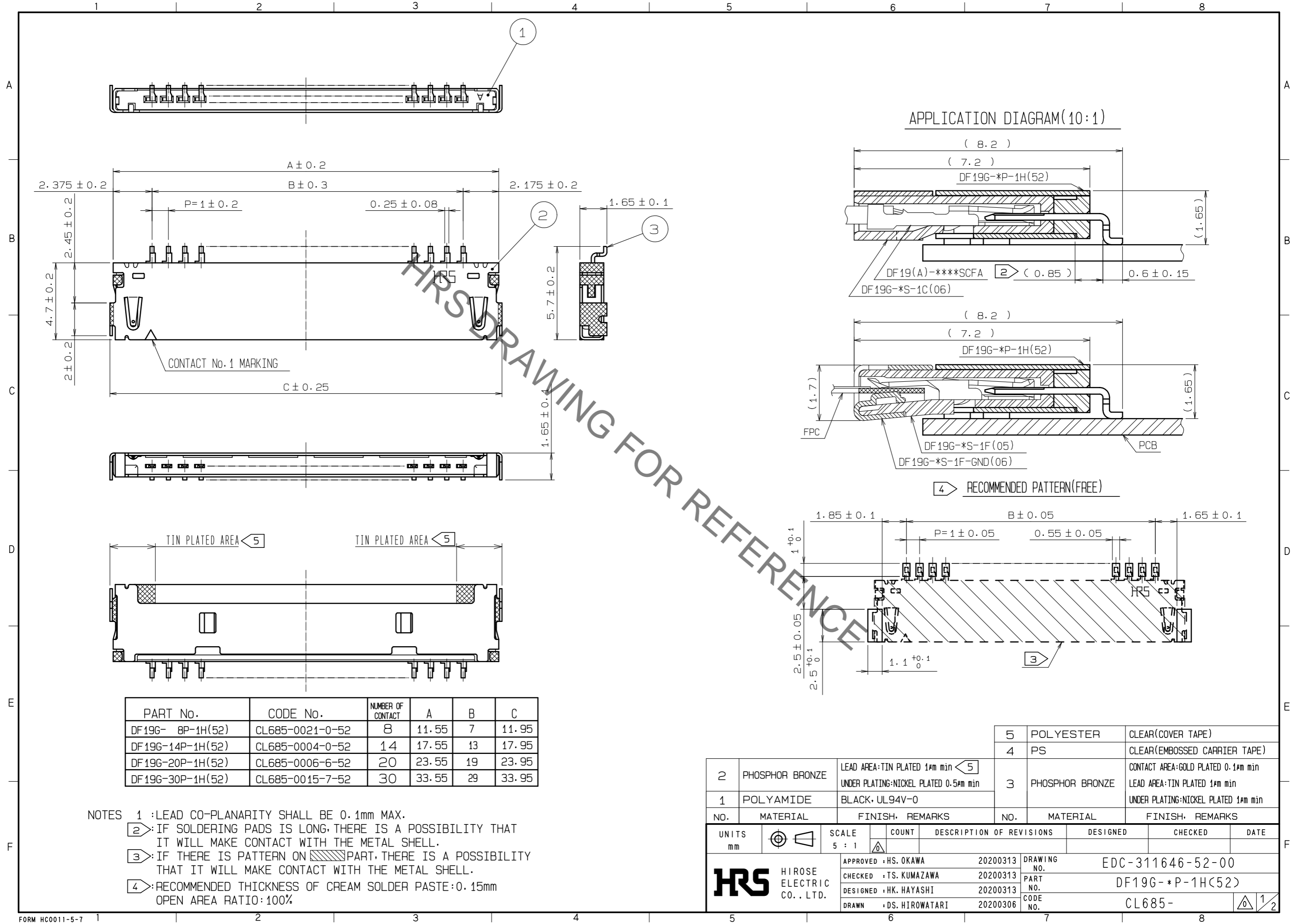


May.1.2022 Copyright 2022 HIROSE ELECTRIC CO., LTD. All Rights Reserved.
In case of consideration for using Automotive equipment / device which demand high reliability, kindly contact our sales window correspondents.



PART No.	CODE No.	NUMBER OF CONTACT	A	B	C
DF19G- 8P-1H(52)	CL685-0021-0-52	8	11.55	7	11.95
DF19G-14P-1H(52)	CL685-0004-0-52	14	17.55	13	17.95
DF19G-20P-1H(52)	CL685-0006-6-52	20	23.55	19	23.95
DF19G-30P-1H(52)	CL685-0015-7-52	30	33.55	29	33.95

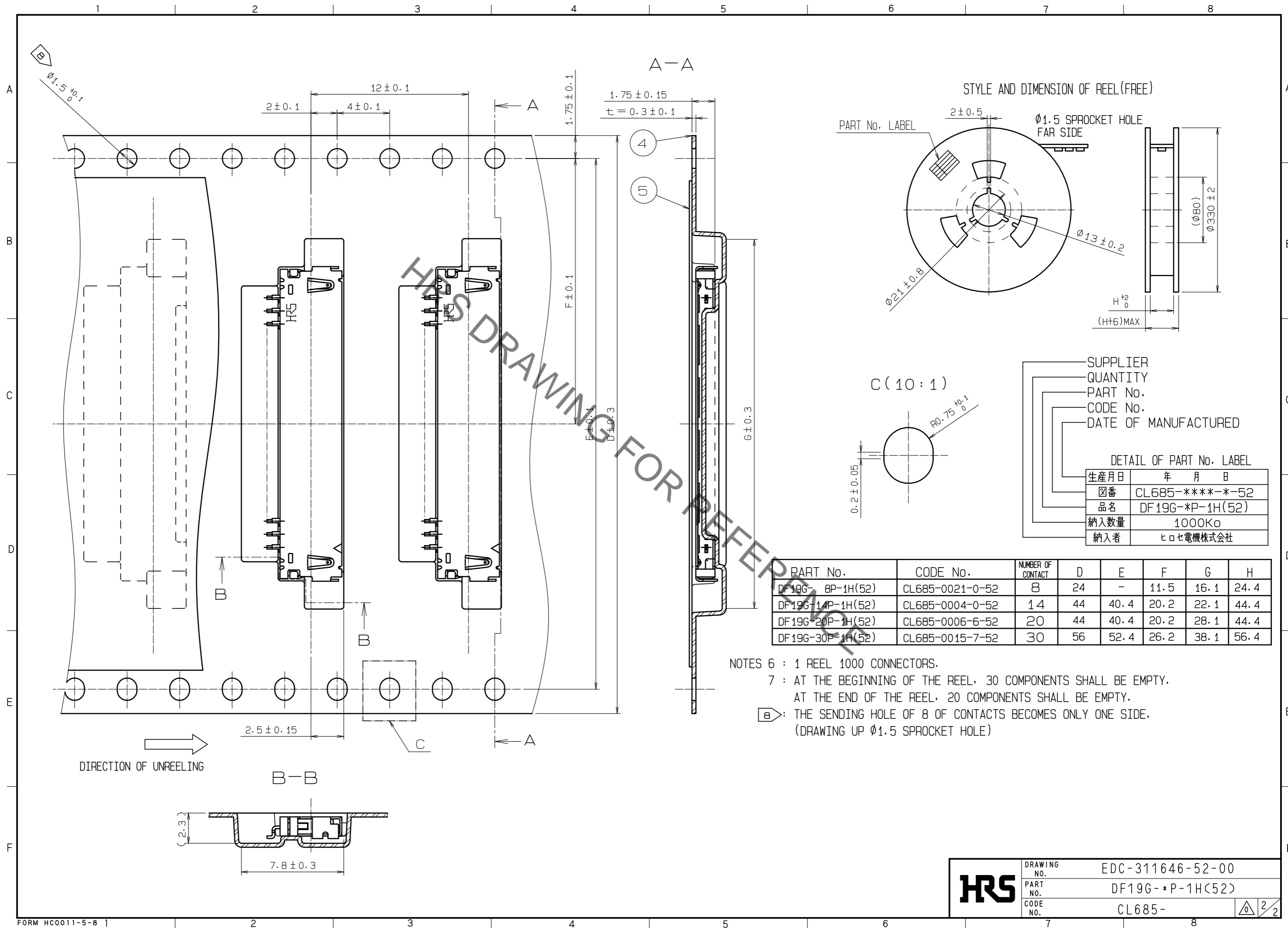
NOTES 1 :LEAD CO-PLANARITY SHALL BE 0.1mm MAX.
 (2): IF SOLDERING PADS IS LONG, THERE IS A POSSIBILITY THAT IT WILL MAKE CONTACT WITH THE METAL SHELL.
 (3): IF THERE IS PATTERN ON (3) PART, THERE IS A POSSIBILITY THAT IT WILL MAKE CONTACT WITH THE METAL SHELL.
 (4): RECOMMENDED THICKNESS OF CREAM SOLDER PASTE: 0.15mm
 OPEN AREA RATIO: 100%

NO.	MATERIAL	FINISH, REMARKS	NO.	MATERIAL	FINISH, REMARKS
2	PHOSPHOR BRONZE	LEAD AREA:TIN PLATED 1μm min (5) UNDER PLATING:NICKEL PLATED 0.5μm min	5	POLYESTER	CLEAR(COVER TAPE)
1	POLYAMIDE	BLACK, UL94V-0	4	PS	CLEAR(EMBOSSD CARRIER TAPE)
			3	PHOSPHOR BRONZE	CONTACT AREA:GOLD PLATED 0.1μm min LEAD AREA:TIN PLATED 1μm min UNDER PLATING:NICKEL PLATED 1μm min

UNITS	SCALE	COUNT	DESCRIPTION OF REVISIONS	DESIGNED	CHECKED	DATE
mm	5 : 1	△				

HRS HIROSE ELECTRIC CO., LTD.	APPROVED : HS. OKAWA	20200313	DRAWING NO.	EDC-311646-52-00
	CHECKED : TS. KUMAZAWA	20200313	PART NO.	DF19G-*P-1H(52)
	DESIGNED : HK. HAYASHI	20200313	CODE NO.	CL685-
	DRAWN : DS. HIROWATARI	20200306		

May.1.2022 Copyright 2022 HIROSE ELECTRIC CO., LTD. All Rights Reserved.
 In case of consideration for using Automotive equipment / device which demand high reliability, kindly contact our sales window correspondents.



HRS	DRAWING NO.	EDC-311646-52-00
	PART NO.	DF19G-*P-1H(52)
	CODE NO.	CL685-