



RLTMRL-722 1-50 mW



Infrared Diode Pumped Solid State Laser

All solid state 722 nm infrared laser featuring compact size, long lifetime, low cost, and easy operatability, which is widely used for measurement, spectrum analysis, scientific experiment, etc.



Specifications	
Wavelength	722 ±1 nm
Output Power	1 - 50 mW
Transverse Mode	TEM ₀₀
Operating Mode	CW
Power Stability (rms, over 4 hours)	< 5%, < 10%
Warm-up time	< 10 min
M ² factor	< 1.2
Beam Divergence (full angle)	< 1.5 mrad
Beam Diameter (at the aperature)	~ 2.0 mm
Beam Height (from base plate)	29 mm
Polarization ratio	> 100:1 (0 or 90 degree)
Pointing stability after warm up	< 0.05
Operating Temperature	10 - 35 °C
Power Supply (90-260VAC)	PSU-FDA (included)
Expected Lifetime	10000 hours
Warranty period	1 year

Options	
PSU-LED (90-260VAC)	Power supply featuring adjustable ouptut power and current display
PSU-OEM (5VDC)	DC power supply for system integration
Fiber coupling	Multi mode/single mode fiber, SMA-905/FC connector



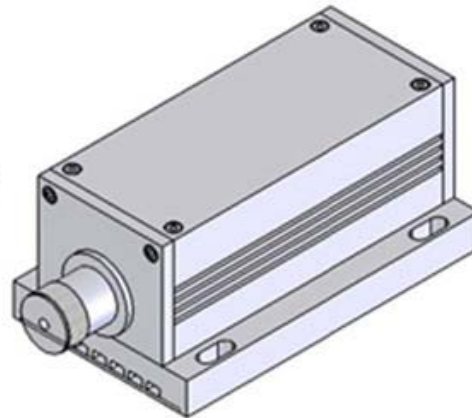
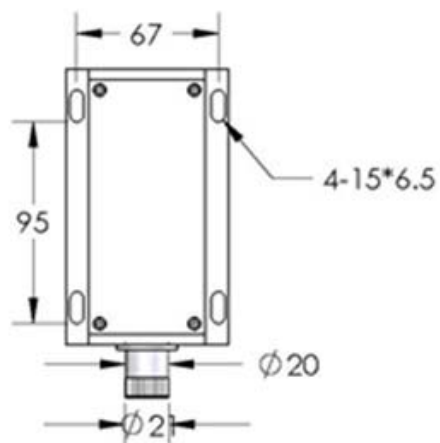
LASER RADIATION
AVOID DIRECT EXPOSURE TO BEAM
DO NOT STARE INTO BEAM
NEVER VIEW THROUGH OPTICAL INSTRUMENTS



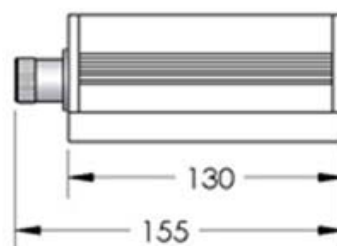
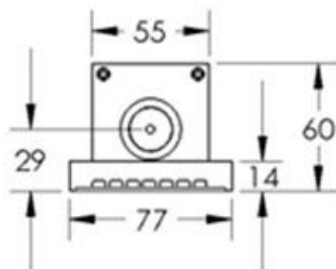
RLTMRL laser head



155 x 77 x 60 mm³, 0.9 kg



All dimensions in mm

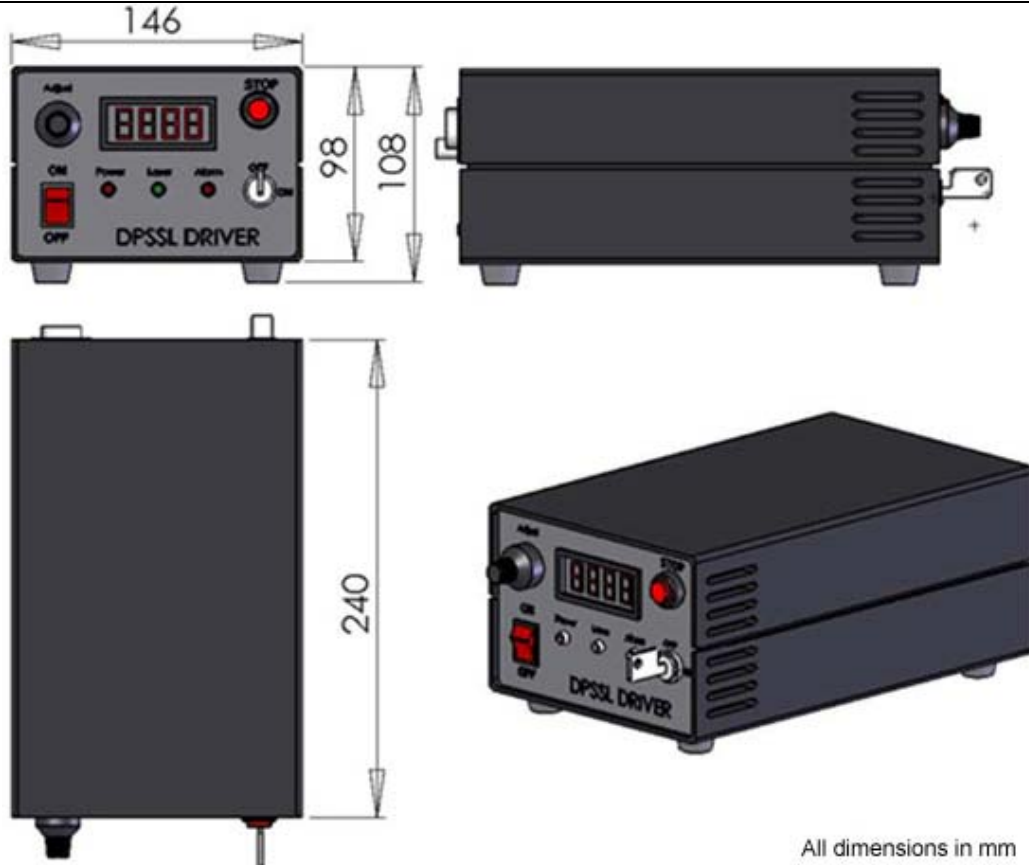




PSU-LED power supply



240 x 146 x 108 mm³, 2.6 kg

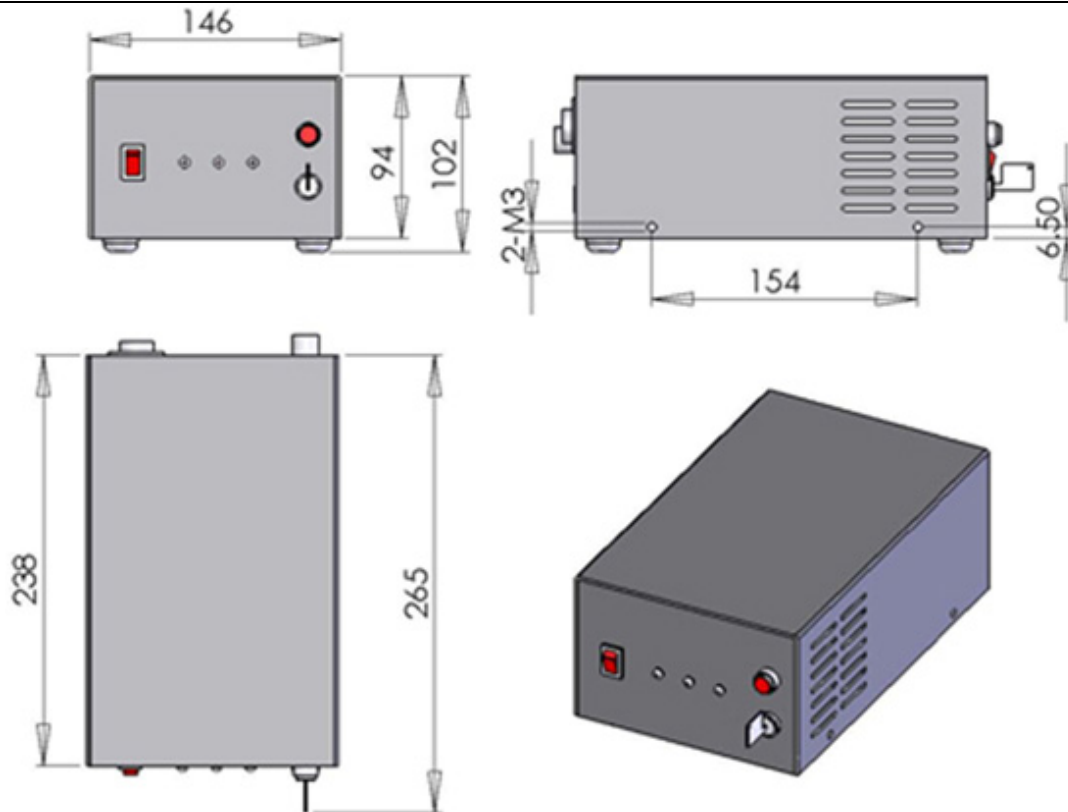




PSU-FDA power supply



238 x 146 x 102 mm³, 2.3 kg

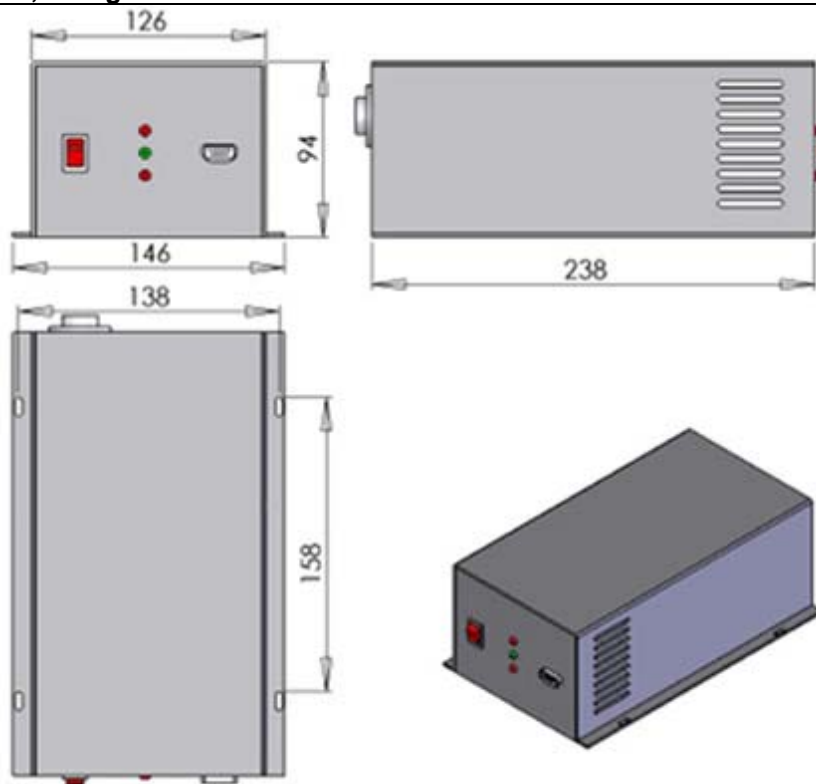




PSU-OEM power supply



238 x 146 x 94 mm³, 2.2 kg



All dimensions in mm